

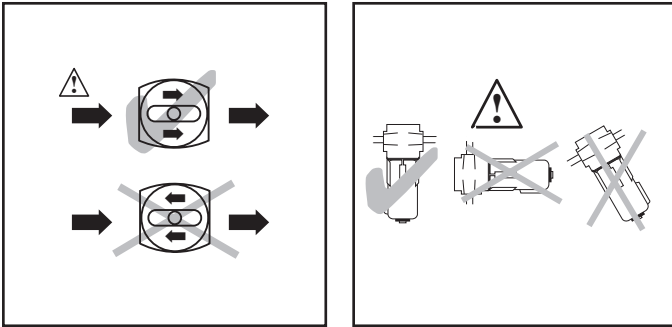


# Main Plant Coalescing Filters for Compressed Air & Gases

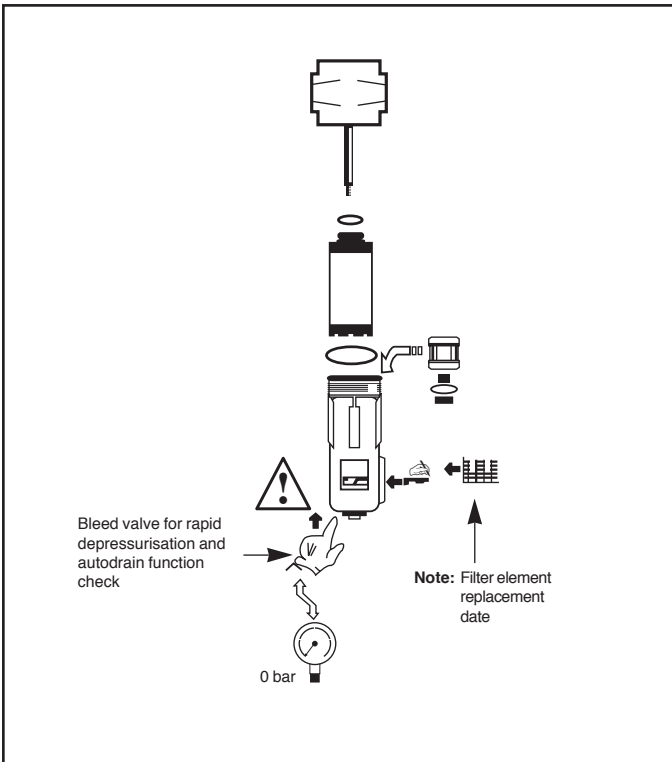
Grade AO - 1 Micron Filtration  
Grade AA - 0.01 Micron Filtration

## Installation

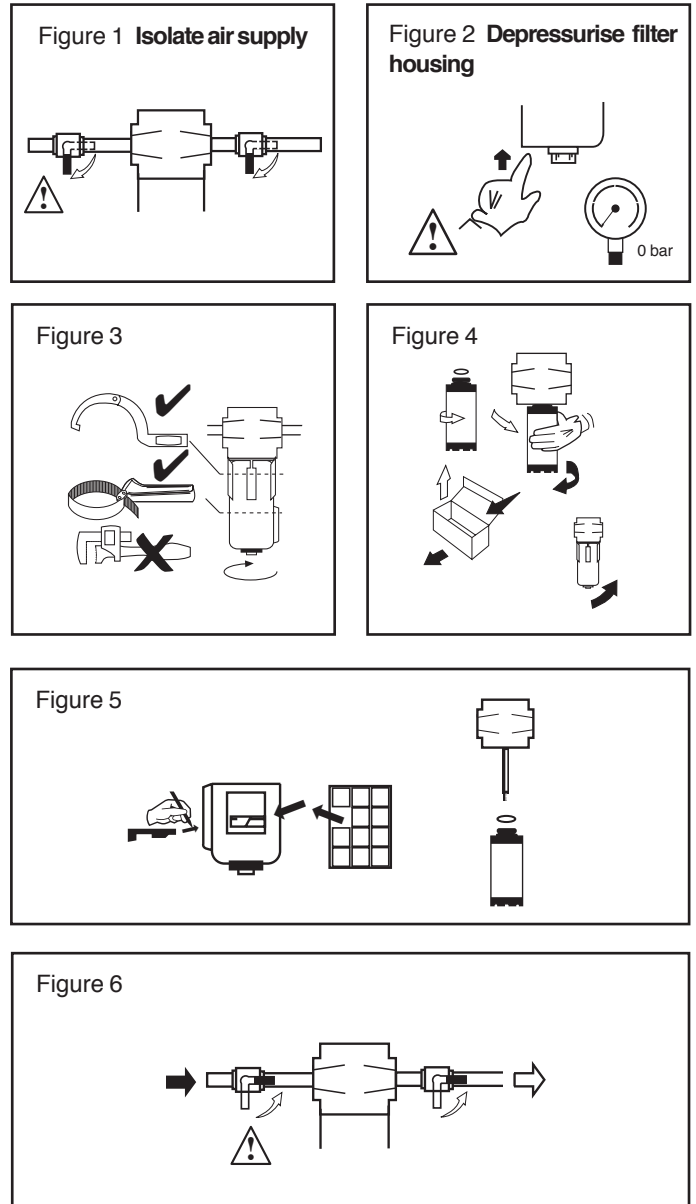
This filter must be installed and maintained by a competent person.



## Maintenance



## Filter element replacement

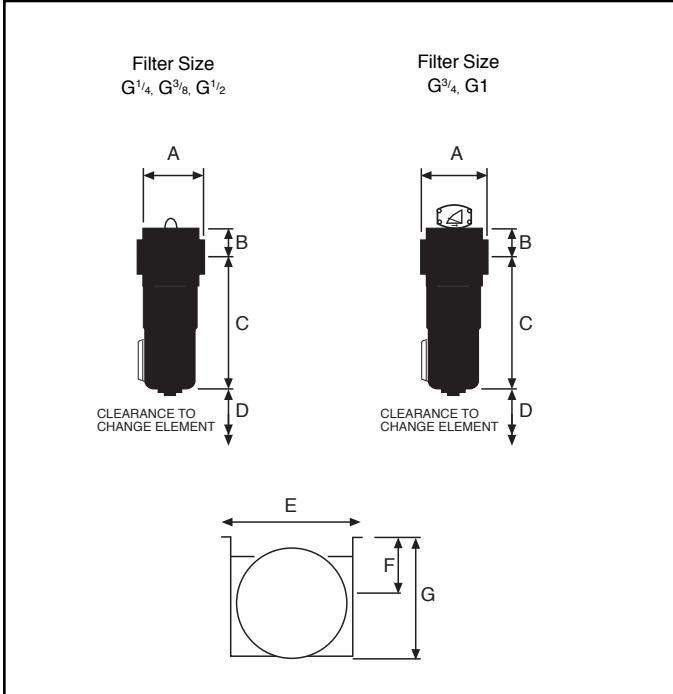


# Technical Specification

## Maximum working pressure and temperature



## Dimensions



Filter size	mm ins							weight	
	A	B	C	D	E	F	G	kg	lbs
G <sup>1/4</sup>	76	34.5	133	70	70	115	45	0.5	1.1
	3.0	1.4	5.2	2.8	2.8	4.5	1.8		
G <sup>3/8</sup>	89	42	158	95	95	128	52	1.0	2.2
	3.5	1.65	6.2	3.7	3.7	5.0	2.1		
G <sup>1/2</sup>	89	42	194	130	95	128	52	1.1	2.4
	3.5	1.65	7.6	5.1	3.7	5.0	2.1		
G <sup>3/4</sup>	120	58	251	172	125	163	68	2.4	5.3
	4.7	2.3	9.9	6.8	4.9	6.4	2.7		
G1	120	58	351	272	125	163	68	2.9	6.4
	4.7	2.3	13.8	10.7	4.9	6.4	2.7		