

Modular Electric Actuators OSP-E

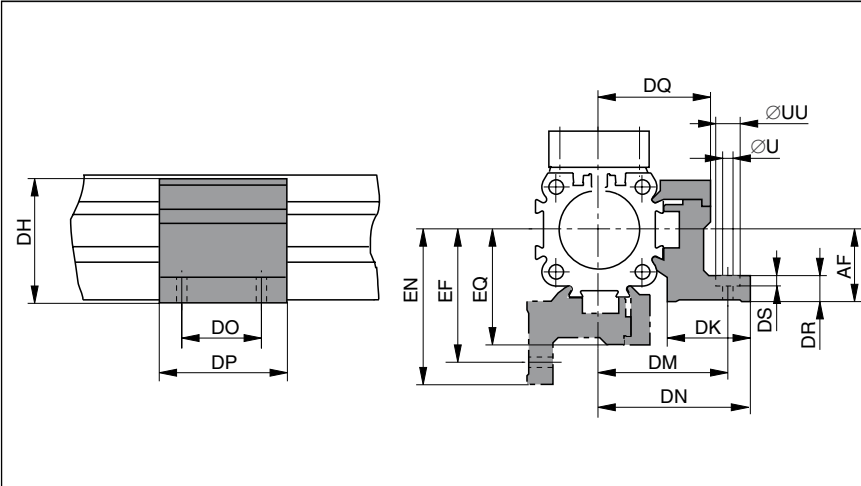
ORIGA SYSTEM PLUS

aerospace
climate control
electromechanical
filtration
fluid & gas handling
hydraulics
pneumatics
process control
sealing & shielding



ENGINEERING YOUR SUCCESS.

Series OSP-E25, E32, E50, Type E1
(Mounting from above / below with 2 through holes)



Profile Mounting

Size 25, 32, 50



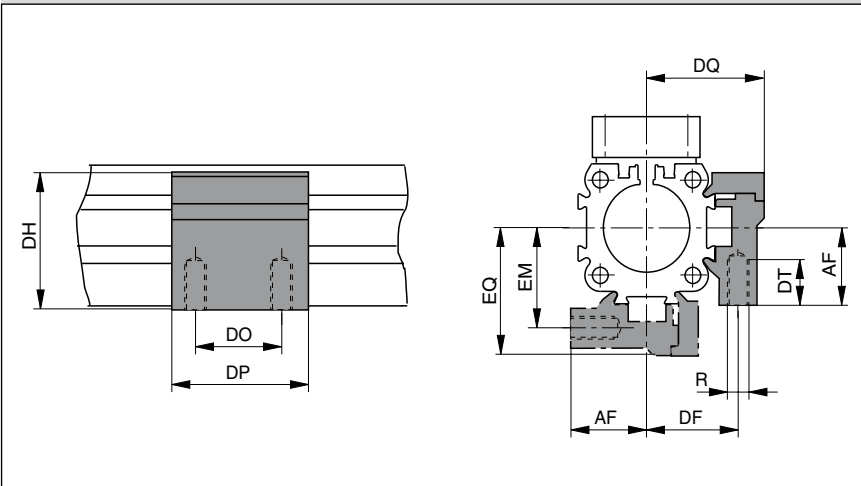
- **OSP-E..B**
Belt actuator with internal plain bearing guide
- **OSP-E..SB**
Ball screw actuator with internal plain bearing guide
- **OSP-E..ST**
Trapezoidal screw actuator with internal plain bearing guide
- **OSP-E..SBR**
Ball screw actuator with internal plain bearing guide and piston rod
- **OSP-E..STR**
Trapezoidal screw actuator with internal plain bearing guide and piston rod

Note on Types E1 and D1:
The profile mounting can also be mounted on the underside of the actuator, in which case its distance from the centre of the actuator is different.

For design notes, see page 42 ff.

Stainless steel version on request.

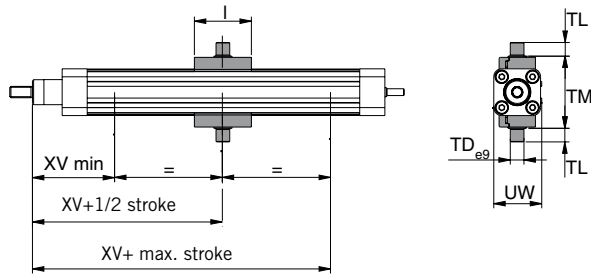
Series OSP-E25, E32, E50, Type D1
(Mountings from below with 2 screws, internal thread)



Series	R	U	UU	AF	DF	DH	DK	DM	DN	DO	DP	DQ	DR	DS	DT	EF	EM	EN	EQ	Order No.	
																				Type E1	Type D1
OSP-E25	M5	5.5	10	22	27	38	26	40	47.5	36	50	34,5	8	5.7	10	41.5	28.5	49	36	20009	20008
OSP-E32	M5	5.5	10	30	33	46	27	46	54.5	36	50	40,5	10	5.7	10	48.5	35.5	57	43	20158	20157
OSP-E50	M6	7	-	48	40	71	34	59	67	45	60	52	10	-	11	64	45	72	57	20163	20162



Series OSP-E25SBR, 25STR to 50SBR, 50STR: Type EN-..



Material: Aluminium

Trunnion Mounting EN Pivot Mounting EL

Size 25, 32, 50



Dimension Table [mm] and Order Instructions – for Trunnion Mounting EN-..

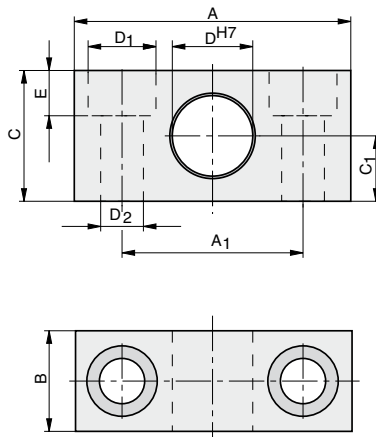
Series	Type	l	∅ TD e9	TL	TM	UW	XV min	XV+ 1/2Stroke	XV+ max.Stroke	Order No.
OSP-E25SBR, STR	EN-E25	50	12	12	63	42	73	83	62	12235
OSP-E32SBR, STR	EN-E32	50	16	16	75	52	76.5	90	69.5	12236
OSP-E50SBR, STR	EN-E50	80	20	20	108	87	110	110	84	12237

- Series OSP-E..SBR, ..STR For Actuator with spindle drive and piston rod

The trunnion mounting is fitted to the dovetail rails of the actuator profile and is continuously adjustable in axial direction.

The mountings are supplied in pairs.

Series OSP-E25SBR, 25STR to 50SBR, 50STR: Type EL-..



Material: Aluminium

Dimension Table [mm] and Order Instructions – for Pivot Mounting EL-..

Series	Type	A	A ₁	B	C	C ₁	∅D ^{H7}	∅D ₁	∅D ₂	E	Weight (mass) (kg)	Order No.
OSP-E25SBR, STR	EL-032	55	36	20	26	13	12	13.5	8.4	9	0.06	PD23381
OSP-E32SBR, STR	EL-040/050	55	36	20	26	13	16	13.5	8.4	9	0.06	PD23382
OSP-E50SBR, STR	EL-063/080	65	42	25	30	15	20	16.5	10.5	11	0.10	PD23383

Trunnion Mounting EN



Pivot Mounting EL

