

Oil level indicators



- **Material**
AISI 303 stainless steel.
- **Window**
ESG safety glass.
- **Maximum continuous working temperature**
180°C.

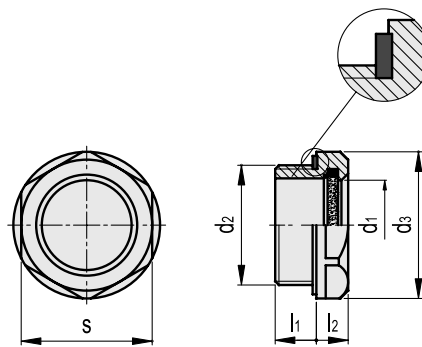
Features and applications

GN 743.5 oil level indicators can be used on pressurised oil tanks (oil-proof resistance data available on request). The seal between the brass body and the ESG glass window is guaranteed by a packing ring in FKM type VITON®*

Accessories on request

Brass nuts with Gas threadings, type GH. for fitting to reservoirs with wall thickness smaller than 5 mm.

* Registered trademark by DuPont Dow Elastomers.



Code	Description	d ₁	d ₂	d ₃	l ₁	l ₂	s	⚖️
GN.37462	GN 743.5-11-M16x1.5-B	11	M16x1.5	22	8	7.5	20	19
GN.37466	GN 743.5-14-M20x1.5-B	14	M20x1.5	26	8.5	7.5	23	23
GN.37470	GN 743.5-18-M26x1.5-B	18	M26x1.5	32	9	8	30	41
GN.37474	GN 743.5-24-M33x1.5-B	24	M33x1.5	40	11	8.5	36	64
GN.37478	GN 743.5-32-M42x1.5-B	32	M42x1.5	50	12	9	46	102
GN.37464	GN 743.5-11-G3/8-B	11	G 3/8	22	8	7.5	20	19
GN.37468	GN 743.5-14-G1/2-B	14	G 1/2	26	8.5	7.5	23	23
GN.37472	GN 743.5-18-G3/4-B	18	G 3/4	32	9	8	30	41
GN.37476	GN 743.5-24-G1-B	24	G 1	40	11	8.5	36	64
GN.37479	GN 743.5-32-G1¼-B	32	G 1¼	50	12	9	46	102