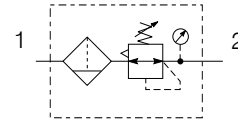


Standard Filter / Regulator P33

Symbols



- Integral 1/2 or 3/4 ports (BSPP & NPT)
- High efficiency 5 micron element as standard
- Excellent water removal efficiency
- Robust but lightweight aluminium construction
- Positive bayonet latch to ensure correct & safe fitting
- Secondary pressure ranges 2, 4, 8 & 17 bar
- Secondary aspiration plus balanced poppet provides quick response and accurate pressure regulation.

Options:

P 33	E A			E				N		P
Thread type		Port size		Drain type		Element		Adjustment range		Mounting
BSPP	1	1/2	4	Manual drain	M	5µ Element	E	With round gauge		Plastic panel mount nut
NPT	9	3/4	6	Auto drain	A			Without gauge		
						Bowl type		2 bar; 30 psi; 0.2 MPa		Z
						Poly bowl with bowl guard		4 bar; 60 psi; 0.4 MPa		M
						Metal bowl with sight glass		8 bar; 125 psi; 0.8 MPa		G
								17 bar; 250 psi; 1.7 MPa		J
								Relief		
								Relieving		B
								Non relieving		N
								2 bar; 30 psi; 0.2 MPa		Y
								4 bar; 60 psi; 0.4 MPa		L
								8 bar; 125 psi; 0.8 MPa		N
								17 bar; 250 psi; 1.7 MPa		H

Port size	Description	Order Code	Flow dm ³ /s *	(scfm) *	Max bar (psi)	Height mm (Inches)	Width mm (Inches)	Depth mm (Inches)
1/2"	8 bar (125 psi) Relieving - Poly bowl - Manual drain	P33EA14EGMBNGP	90	(191)	10 (150)	282 (11.0)	73 (2.9)	73 (2.9)
1/2"	8 bar (125 psi) Relieving - Poly bowl - Auto drain	P33EA14EGABNGP	90	(191)	10 (150)	291 (11.44)	73 (2.9)	73 (2.9)
1/2"	8 bar (125 psi) Relieving - Metal bowl sight glass - Manual drain	P33EA14ESMBNGP	90	(191)	17 (250)	282 (11.0)	73 (2.9)	73 (2.9)
1/2"	8 bar (125 psi) Relieving - Metal bowl sight glass - Auto drain	P33EA14ESABNGP	90	(191)	17 (250)	291 (11.44)	73 (2.9)	108 (4.27)
3/4"	8 bar (125 psi) Relieving - Poly bowl - Manual drain	P33EA16EGMBNGP	98	(208)	10 (150)	282 (11.0)	73 (2.9)	108 (4.27)
3/4"	8 bar (125 psi) Relieving - Poly bowl - Auto drain	P33EA16EGABNGP	98	(208)	10 (150)	291 (11.44)	73 (2.9)	108 (4.27)
3/4"	8 bar (125 psi) Relieving - Metal bowl sight glass - Manual drain	P33EA16ESMBNGP	98	(208)	17 (250)	282 (11.00)	73 (2.9)	73 (2.9)
3/4"	8 bar (125 psi) Relieving - Metal bowl sight glass - Auto drain	P33EA16ESABNGP	98	(208)	17 (250)	291 (11.44)	73 (2.9)	73 (2.9)

* flow with 10 bar (145 psig) inlet pressure, 6.3 bar (91.3 psig) set pressure and 1 bar (14.5 psig) pressure drop.

Specifications

Flow Capacity*	1/2	90 dm ³ /s (191 scfm)
	3/4	98 dm ³ /s (208 scfm)
Operating Temperature	Plastic Bowl	-25°C (-13°F) to 52°C (125°F)
	Metal Bowl	-25°C (-13°F) to 65.5°C (150°F)
Supply Pressure	Plastic Bowl	10 bar (150 psi)
	Metal Bowl	17 bar (250 psi)
Standard Filtration	5 Micron	
Useful Retention**	85 cm ³ (2.8 US oz.)	
Adjusting Range	0-2 bar (30 psi)	
Pressure	0-4 bar (60 psi)	
	0-8 bar (125 psi)	
	0-17 bar (250 psi)	
Port Size	BSPP / NPT	1/2, 3/4
Gauge Port (2 ea.)	BSPP / NPT	1/4
Weight	0.85 kg (1.87 lbs)	

* Inlet pressure 10 bar. Secondary pressure 6.3 bar.

** Useful retention refers to volume below the quiet zone baffle.

Air quality:

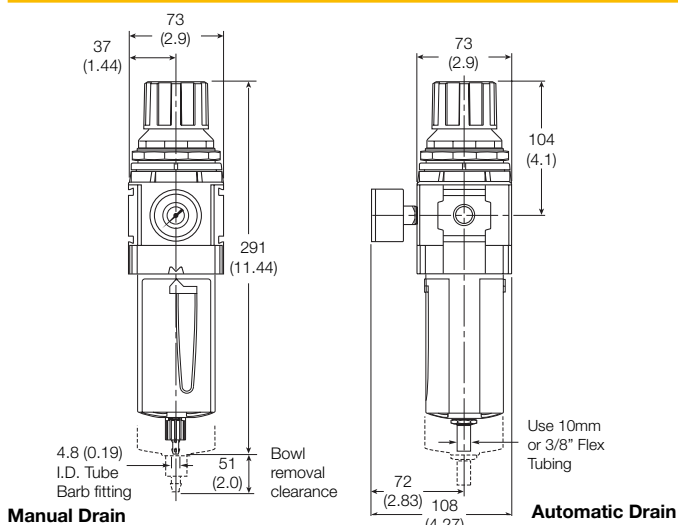
Within ISO 8573-1: 1991 Class 3 (Particulates)

Within ISO 8573-1: 2001 Class 6 (Particulates)

Materials of Construction

Body	Aluminium	
Adjustment Knob	Acetal	
Body Cap	ABS	
Element Retainer / Baffle	Acetal	
Bowls	Plastic Bowl	Polycarbonate
	Metal Bowl	Aluminium
Filter Element	Sintered Polyethylene	
Seals	Plastic Bowl	Nitrile
	Metal Bowl	Nitrile
Springs	Main Regulating / Valve	Steel / S.S.
Valve Assembly	Brass / Nitrile	
Diaphragm Assembly	Nitrile / Zinc	
Panel Nut	Acetal	
Sight Gauge	Metal Bowl	Polycarbonate

Dimensions

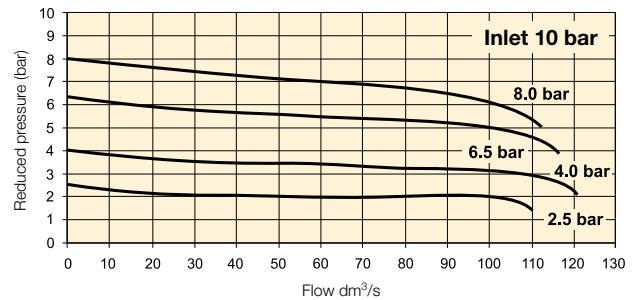


⚠ WARNING

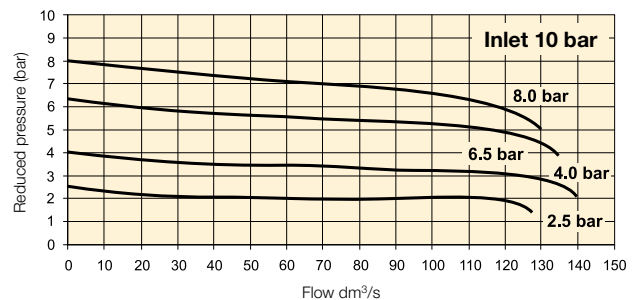
**Product rupture can cause serious injury.
Do not connect regulator to bottled gas.
Do not exceed maximum primary pressure rating.**

Flow Charts

1/2 Filter/Regulator



3/4 Filter/Regulator



Repair and Service Kits

Plastic bowl / Bowl guard manual drain	P33KA00BGM
Metal bowl / Sight gauge manual drain	P33KA00BSM
Auto drain	P32KA00DA
5µ particle filter element	P33KA00ESE
Panel mount nut - Aluminium	P33KA00MM
Panel mount nut - Plastic	P33KA00MP
Angle Bracket (fits to panel mount threads)	P33KA00MR
T-Bracket (fits to body connector)	P32KA00MB
T-Bracket with body connector	P32KA00MT
Body connector	P32KA00CB

Gauges

50mm (2") Round 1/4" center back mount

for units ordered without square gauge

0-60 PSIG / 0-4 bar / 0-0.4 MPa	P6G-ERB2040
0-160 PSIG / 0-11 bar / 0-1.1 MPa	P6G-ERB2110
0-300 PSIG / 0-20 bar / 0-2 MPa	P6G-ERB2200

For best performance, regulated pressure should always be set by increasing the pressure up to the desired setting.