

Solid State Auto Switches

General Purpose Type, 2-color Indication Type, 2-color Indication Type with Diagnostic Output, Water Resistant 2-color Indication Type, Hygienic Type, Timer Equipped Type, Magnetic Field Resistant Type, Heat Resistant Type, Wide Range Detection Type, Trimmer Auto Switch

Solid State Auto Switch Variations

Type	Function	Auto switch mounting style	Electrical entry	Auto switch model	Page
Solid State Auto Switch	General purpose	Direct	Grommet	D-M9N/M9P/M9B	1575
				D-M9NV/M9PV/M9BV	1575
				D-F8N/F8P/F8B	1576
				D-F9G/F9H (Normally closed)	1577
				D-Y59A/Y59B/Y7P	1578
		D-Y69A/Y69B /Y7PV	1579		
		D-Y7G/Y7H (Normally closed)	1580		
		D-M5N/M5P/M5B	1581		
		D-H7A1/H7A2/H7B	1582		
		D-G59/G5P/K59	1583		
		D-H7C	1584		
		D-G39/K39	1585		
		D-G39A/K39A	1586		
		D-F79/F7P/J79	1587		
		D-F7NV/F7PV/F7BV	1588		
	D-J79C	1589			
	D-F59/F5P/J59	1590			
	D-G39C/K39C	1590			
	2-color indication	Direct	Grommet	D-M9NW/M9PW/M9BW	1591
				D-M9NV/M9PV/M9BV	1592
				D-Y7NW/Y7PW/Y7BW	1593
				D-Y7NV/Y7PV/Y7BVV	1594
				D-M5NW/M5PW/M5BW	1595
		Band	Grommet	D-H7NW/H7PW/H7BW	1596
				D-G59W/G5PW/K59W	1597
		Rail	Grommet	D-F79W/F7PW/J79W	1597
		Tie-rod	Grommet	D-F7NWV/F7BWV	1598
				D-F59W/F5PW/J59W	1598
	D-H7NF			1599	
	2-color indication with diagnostic output	Band	Grommet	D-G59F	1600
		Rail	Grommet	D-F79F	1601
		Tie-rod	Grommet	D-F59F	1602
	Water resistant 2-color indication	Direct	Grommet	D-M9PA/M9NA/M9BA	1603
				D-M9PAV/M9NAV/M9BAV	1604
		Band	Grommet	D-Y7BA	1605
				D-H7BA	1606
				D-G5BA	1607
	Hygienic	Direct	Grommet	D-F7BA	1608
				D-F7BAV	1609
				D-F5BA	1610
				D-F6N/F6P/F6B	1611
	With timer	Band	Grommet	D-G5NT	1612
		Rail	Grommet	D-F7NT	1613
		Tie-rod	Grommet	D-F5NT	1614
		Direct	Grommet	D-M5NT/M5PT	1615
	Magnetic field resistance	Rail, Tie-rod, Direct	Grommet	D-P3DWSC/P3DWSE	1616
D-P3DW				1617	
Rail		Grommet	D-P4DWSC/P4DWSE	1618	
				D-P4DW	1619
Heat resistant	Sensor section: Rail	Grommet	D-F7NJ	1620	
	Amplifier section: DIN rail				
Wide range detection	Band	Grommet	D-G5NB	1621	
Trimmer Auto Switch	Rail	Grommet	D-F7K/Y7K	1622	
	Direct				

Solid State Auto Switch Direct Mounting Style

D-M9N(V)/D-M9P(V)/D-M9B(V)

 RoHS

Grommet

- 2-wire load current is reduced (2.5 to 40 mA).
- Flexibility is 1.5 times greater than the conventional model (SMC comparison).
- Using flexible cable as standard spec.



Caution

Precautions

Fix the auto switch with the existing screw installed on the auto switch body. The auto switch may be damaged if a screw other than the one supplied is used.

Auto Switch Specifications

Refer to SMC website for the details of the products conforming to the international standards.

PLC: Programmable Logic Controller

D-M9□, D-M9□V (With indicator light)						
Auto switch model	D-M9N	D-M9NV	D-M9P	D-M9PV	D-M9B	D-M9BV
Electrical entry direction	In-line	Perpendicular	In-line	Perpendicular	In-line	Perpendicular
Wiring type	3-wire					2-wire
Output type	NPN		PNP		—	
Applicable load	IC circuit, Relay, PLC				24 VDC relay, PLC	
Power supply voltage	5, 12, 24 VDC (4.5 to 28 V)					—
Current consumption	10 mA or less					—
Load voltage	28 VDC or less		—		24 VDC (10 to 28 VDC)	
Load current	40 mA or less					2.5 to 40 mA
Internal voltage drop	0.8 V or less at 10 mA (2 V or less at 40 mA)				4 V or less	
Leakage current	100 μA or less at 24 VDC				0.8 mA or less	
Indicator light	Red LED illuminates when turned ON.					
Standard	CE marking, RoHS					

Oilproof Heavy-duty Lead Wire Specifications

Auto switch model		D-M9N□	D-M9P□	D-M9B□
Sheath	Outside diameter [mm]	2.7 x 3.2 (ellipse)		
Insulator	Number of cores	3 cores (Brown/Blue/Black)		2 cores (Brown/Blue)
	Outside diameter [mm]	ø0.9		
Conductor	Effective area [mm ²]	0.15		
	Strand diameter [mm]	ø0.05		
Minimum bending radius [mm] (Reference values)		20		

Note 1) Refer to page 1568 for solid state auto switch common specifications.

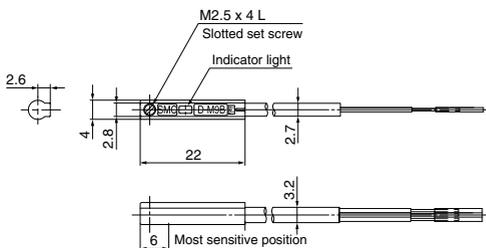
Note 2) Refer to page 1568 for lead wire lengths.

Weight (g)

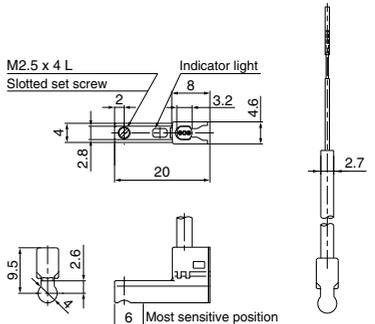
Auto switch model		D-M9N(V)	D-M9P(V)	D-M9B(V)
Lead wire length	0.5 m (Nii)	8	7	7
	1 m (M)	14	13	13
	3 m (L)	41	38	38
	5 m (Z)	68	63	63

Dimensions (mm)

D-M9□



D-M9□V



Solid State Auto Switch Direct Mounting Style D-F8N/D-F8P/D-F8B



Refer to SMC website for the details of the products conforming to the international standards.

Grommet



Caution

Precautions

Fix the auto switch with the existing screw installed on the auto switch body. The auto switch may be damaged if a screw other than the one supplied is used.

Auto Switch Specifications

PLC: Programmable Logic Controller

D-F8□ (With indicator light)			
Auto switch model	D-F8N	D-F8P	D-F8B
Electrical entry direction	Perpendicular	Perpendicular	Perpendicular
Wiring type	3-wire		2-wire
Output type	NPN	PNP	—
Applicable load	IC circuit, 24 VDC Relay, PLC		24 VDC relay, PLC
Power supply voltage	5, 12, 24 VDC (4.5 to 28 VDC)		—
Current consumption	10 mA or less		—
Load voltage	28 VDC or less	—	24 VDC (10 to 28 VDC)
Load current	40 mA or less	80 mA or less	2.5 to 40 mA
Internal voltage drop	1.5 V or less (0.8 V or less at 10 mA load current)	0.8 V or less	4 V or less
Leakage current	100 μA or less at 24 VDC		0.8 mA or less at 24 VDC
Indicator light	Red LED illuminates when turned ON.		
Standard	CE marking, RoHS		

Oilproof Heavy-duty Lead Wire Specifications

Auto switch model		D-F8N	D-F8P	D-F8B
Sheath	Outside diameter [mm]	ø2.7		
	Number of cores	3 cores (Brown/Blue/Black)		2 cores (Brown/Blue)
Insulator	Outside diameter [mm]	ø0.91		ø0.96
	Effective area [mm ²]	0.15		0.18
Conductor	Strand diameter [mm]	ø0.08		
	Minimum bending radius [mm] (Reference values)	17		

Note 1) Refer to page 1568 for solid state auto switch common specifications.

Note 2) Refer to page 1568 for lead wire lengths.

Weight

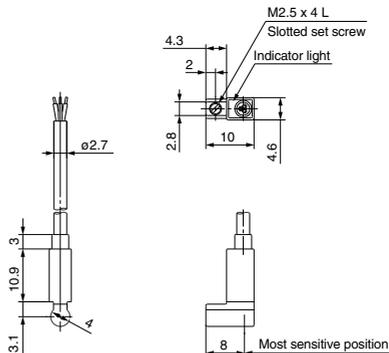
(g)

Auto switch model		D-F8N	D-F8P	D-F8B
Lead wire length	0.5 m (NII)	7		
	3 m (L)	32		
	5 m (Z)	52		

Dimensions

(mm)

D-F8N/D-F8P/D-F8B



Normally Closed Solid State Auto Switch Direct Mounting Style D-F9G/D-F9H



Refer to SMC website for the details of the products conforming to the international standards.

Grommet

Output signal turns on when no magnetic force is detected.



Caution

Precautions

Fix the auto switch with the existing screw installed on the auto switch body. The auto switch may be damaged if a screw other than the one supplied is used.

Auto Switch Specifications

PLC: Programmable Logic Controller

D-F9G, D-F9H (With indicator light)		
Auto switch model	D-F9G	D-F9H
Wiring type	3-wire	
Output type	NPN	PNP
Applicable load	IC circuit, Relay, PLC	
Power supply voltage	5, 12, 24 VDC (4.5 to 28 VDC)	
Current consumption	10 mA or less	
Load voltage	28 VDC or less	—
Load current	40 mA or less	80 mA or less
Internal voltage drop	1.5 V or less (0.8 V or less at 10 mA load current)	0.8 V or less
Leakage current	100 μ A or less at 24 VDC	
Indicator light	Red LED illuminates when detecting nothing.	
Standard	CE marking, RoHS	

Oilproof Heavy-duty Lead Wire Specifications

Auto switch model		D-F9G	D-F9H
Sheath	Outside diameter [mm]	ϕ 2.7	
Insulator	Number of cores	3 cores (Brown/Blue/Black)	
	Outside diameter [mm]	ϕ 0.91	
Conductor	Effective area [mm ²]	0.15	
	Strand diameter [mm]	ϕ 0.08	
Minimum bending radius [mm] (Reference values)		17	

Note 1) Refer to page 1568 for solid state auto switch common specifications.

Note 2) Refer to page 1568 for lead wire lengths.

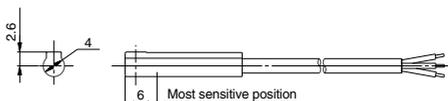
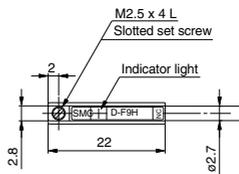
Weight

(g)

Auto switch model		D-F9G	D-F9H
Lead wire length	0.5 m (NII)	7	
	3 m (L)	37	
	5 m (Z)	61	

Dimensions

(mm)



Solid State Auto Switch Direct Mounting Style D-Y59_A/D-Y69_A/D-Y7P(V)



Refer to SMC website for the details of the products conforming to the international standards.

Grommet

Using flexible cable as standard spec.



Auto Switch Specifications

PLC: Programmable Logic Controller

D-Y5□, D-Y6□, D-Y7P, D-Y7PV (With indicator light)						
Auto switch model	D-Y59A	D-Y69A	D-Y7P	D-Y7PV	D-Y59B	D-Y69B
Electrical entry direction	In-line	Perpendicular	In-line	Perpendicular	In-line	Perpendicular
Wiring type	3-wire				2-wire	
Output type	NPN		PNP		—	
Applicable load	IC circuit, Relay, PLC				24 VDC relay, PLC	
Power supply voltage	5, 12, 24 VDC (4.5 to 28 VDC)				—	
Current consumption	10 mA or less				—	
Load voltage	28 VDC or less		—		24 VDC (10 to 28 VDC)	
Load current	40 mA or less		80 mA or less		2.5 to 40 mA	
Internal voltage drop	1.5 V or less (0.8 V or less at 10 mA load current)		0.8 V or less		4 V or less	
Leakage current	100 μA or less at 24 VDC				0.8 mA or less at 24 VDC	
Indicator light	Red LED illuminates when turned ON.					
Standard	CE marking, RoHS					

Oilproof Flexible Heavy-duty Lead Wire Specifications

Auto switch model		D-Y□9A	D-Y7P□	D-Y□9B
Sheath	Outside diameter [mm]	ø3.4		
	Number of cores	3 cores (Brown/Blue/Black)		2 cores (Brown/Blue)
Insulator	Outside diameter [mm]	ø1.0		
	Effective area [mm ²]	0.15		
Conductor	Strand diameter [mm]	ø0.05		
	Minimum bending radius [mm] (Reference values)	21		

Note 1) Refer to page 1568 for solid state auto switch common specifications.
Note 2) Refer to page 1568 for lead wire lengths.

Weight

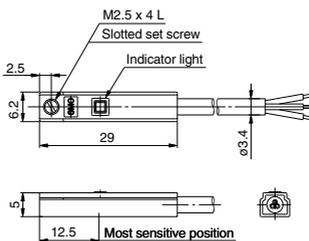
(g)

Auto switch model		D-Y59A	D-Y69A	D-Y7P(V)	D-Y59B	D-Y69B
Lead wire length	0.5 m (NII)	10			9	
	3 m (L)	53			50	
	5 m (Z)	87			83	

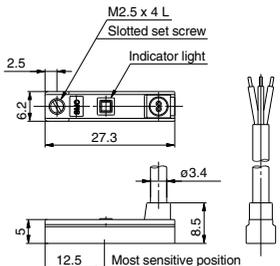
Dimensions

(mm)

D-Y59A/D-Y7P/D-Y59B



D-Y69A/D-Y7PV/D-Y69B



Normally Closed Solid State Auto Switch Direct Mounting Style D-Y7G/D-Y7H



Refer to SMC website for the details of the products conforming to the international standards.

Grommet

- Output signal turns on when no magnetic force is detected.
- Using flexible cable as standard spec.



Auto Switch Specifications

PLC: Programmable Logic Controller

D-Y7G, D-Y7H (With indicator light)		
Auto switch model	D-Y7G	D-Y7H
Wiring type	3-wire	
Output type	NPN	PNP
Applicable load	IC circuit, Relay, PLC	
Power supply voltage	5, 12, 24 VDC (4.5 to 28 VDC)	
Current consumption	10 mA or less	
Load voltage	28 VDC or less	—
Load current	40 mA or less	80 mA or less
Internal voltage drop	1.5 V or less (0.8 V or less at 10 mA load current)	0.8 V or less
Leakage current	100 μ A or less at 24 VDC	
Indicator light	Red LED illuminates when detecting nothing.	
Standard	CE marking, RoHS	

Oilproof Flexible Heavy-duty Lead Wire Specifications

Auto switch model		D-Y7G	D-Y7H
Sheath	Outside diameter [mm]	ϕ 3.4	
Insulator	Number of cores	3 cores (Brown/Blue/Black)	
	Outside diameter [mm]	ϕ 1.0	
Conductor	Effective area [mm ²]	0.15	
	Strand diameter [mm]	ϕ 0.05	
Minimum bending radius [mm] (Reference values)		21	

Note 1) Refer to page 1568 for solid state auto switch common specifications.

Note 2) Refer to page 1568 for lead wire lengths.

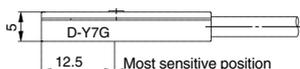
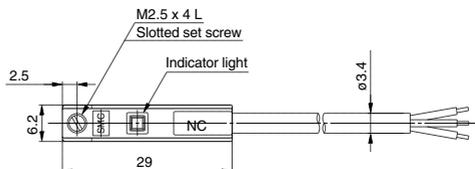
Weight

(g)

Auto switch model		D-Y7G	D-Y7H
Lead wire length	0.5 m (NII)	10	
	3 m (L)	53	
	5 m (Z)	87	

Dimensions

(mm)



Solid State Auto Switch Direct Mounting Style D-M5N/D-M5P/D-M5B



Refer to SMC website for the details of the products conforming to the international standards.

Grommet



Auto Switch Specifications

PLC: Programmable Logic Controller

D-M5□ (With indicator light)			
Auto switch model	D-M5N	D-M5P	D-M5B
Wiring type	3-wire		2-wire
Output type	NPN	PNP	—
Applicable load	IC circuit, Relay, PLC		24 VDC Relay, PLC
Power supply voltage	5, 12, 24 VDC (4.5 to 28 VDC)		—
Current consumption	10 mA or less		—
Load voltage	28 VDC or less	—	24 VDC (10 to 28 VDC)
Load current	40 mA or less	80 mA or less	5 to 40 mA
Internal voltage drop	1.5 V or less (0.8 V or less at 10 mA load current)	0.8 V or less	4 V or less
Leakage current	100 μ A or less at 24 VDC		0.8 mA or less at 24 VDC
Indicator light	Red LED illuminates when turned ON.		
Standard	CE marking, RoHS		

Oilproof Heavy-duty Lead Wire Specifications

Auto switch model		D-M5N	D-M5P	D-M5B
Sheath	Outside diameter [mm]	ϕ 3.4		
Insulator	Number of cores	3 cores (Brown/Blue/Black)		2 cores (Brown/Blue)
	Outside diameter [mm]	ϕ 1.1		
Conductor	Effective area [mm ²]	0.2		
	Strand diameter [mm]	ϕ 0.08		
Minimum bending radius [mm] (Reference values)		21		

Note 1) Refer to page 1568 for solid state auto switch common specifications.

Note 2) Refer to page 1568 for lead wire lengths.

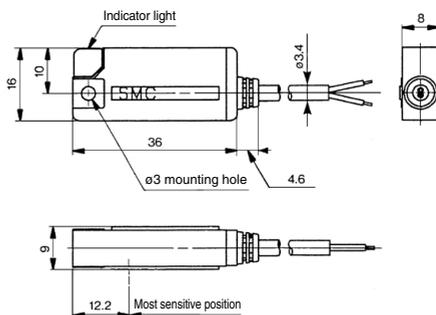
Weight

(g)

Auto switch model		D-M5N	D-M5P	D-M5B
Lead wire length	0.5 m (NII)	16	—	14
	3 m (L)	60	—	53
	5 m (Z)	95	—	84

Dimensions

(mm)



Solid State Auto Switch Band Mounting Style

D-H7A1/D-H7A2/D-H7B



Refer to SMC website for the details of the products conforming to the international standards.

Grommet



Auto Switch Specifications

PLC: Programmable Logic Controller

D-H7□ (With indicator light)			
Auto switch model	D-H7A1	D-H7A2	D-H7B
Wiring type	3-wire		2-wire
Output type	NPN	PNP	—
Applicable load	IC circuit, Relay, PLC		24 VDC Relay, PLC
Power supply voltage	5, 12, 24 VDC (4.5 to 28 VDC)		—
Current consumption	10 mA or less		—
Load voltage	28 VDC or less	—	24 VDC (10 to 28 VDC)
Load current	40 mA or less	80 mA or less	5 to 40 mA
Internal voltage drop	1.5 V or less (0.8 V or less at 10 mA load current)	0.8 V or less	4 V or less
Leakage current	100 μ A or less at 24 VDC		0.8 mA or less at 24 VDC
Indicator light	Red LED illuminates when turned ON.		
Standard	CE marking, RoHS		

Oilproof Heavy-duty Lead Wire Specifications

Auto switch model		D-H7A1	D-H7A2	D-H7B
Sheath	Outside diameter [mm]	ϕ 3.4		
Insulator	Number of cores	3 cores (Brown/Blue/Black)		2 cores (Brown/Blue)
	Outside diameter [mm]	ϕ 1.1		
Conductor	Effective area [mm ²]	0.2		
	Strand diameter [mm]	ϕ 0.08		
Minimum bending radius [mm] (Reference values)		21		

Note 1) Refer to page 1568 for solid state auto switch common specifications.

Note 2) Refer to page 1568 for lead wire lengths.

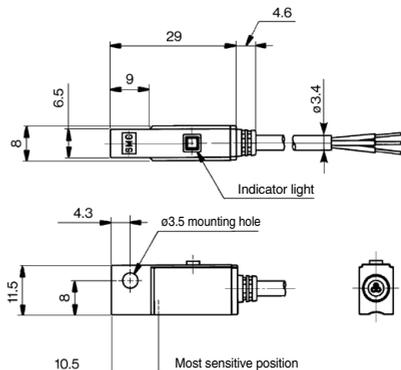
Weight

(g)

Auto switch model		D-H7A1	D-H7A2	D-H7B
Lead wire length	0.5 m (NII)	13	—	11
	3 m (L)	57	—	50
	5 m (Z)	92	—	81

Dimensions

(mm)



Solid State Auto Switch Band Mounting Style D-G59/D-G5P/D-K59



Refer to SMC website for the details of the products conforming to the international standards.

Grommet



Auto Switch Specifications

PLC: Programmable Logic Controller

D-G5□, D-K59 (With indicator light)			
Auto switch model	D-G59	D-G5P	D-K59
Wiring type	3-wire		2-wire
Output type	NPN	PNP	—
Applicable load	IC circuit, Relay, PLC		24 VDC Relay, PLC
Power supply voltage	5, 12, 24 VDC (4.5 to 28 VDC)		—
Current consumption	10 mA or less		—
Load voltage	28 VDC or less	—	24 VDC (10 to 28 VDC)
Load current	40 mA or less	80 mA or less	5 to 40 mA
Internal voltage drop	1.5 V or less (0.8 V or less at 10 mA load current)	0.8 V or less	4 V or less
Leakage current	100 μ A or less at 24 VDC		0.8 mA or less at 24 VDC
Indicator light	Red LED illuminates when turned ON.		
Standard	CE marking, RoHS		

Oilproof Heavy-duty Lead Wire Specifications

Auto switch model		D-G59	D-G5P	D-K59
Sheath	Outside diameter [mm]	ϕ 4		
Insulator	Number of cores	3 cores (Brown/Blue/Black)		2 cores (Brown/Blue)
	Outside diameter [mm]	ϕ 1.22		
Conductor	Effective area [mm ²]	0.3		
	Strand diameter [mm]	ϕ 0.08		
Minimum bending radius [mm] (Reference values)		24		

Note 1) Refer to page 1568 for solid state auto switch common specifications.

Note 2) Refer to page 1568 for lead wire lengths.

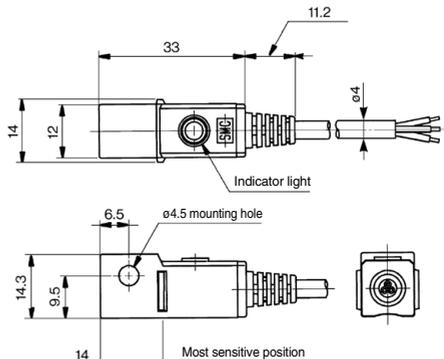
Weight

(g)

Auto switch model		D-G59	D-G5P	D-K59
Lead wire length	0.5 m (NII)	20		18
	3 m (L)	78		68
	5 m (Z)	124		108

Dimensions

(mm)



Solid State Auto Switch Band Mounting Style D-H7C



Refer to SMC website for the details of the products conforming to the international standards.

Connector



Caution

Precautions

1. Confirm that the connector is appropriately tightened. If tightened insufficiently, the waterproof performance will deteriorate.
2. Refer to page 1653 for the details.

Lead wires with a connector indication

Part No. of Lead Wires with Connectors
(Applicable only for connector type)

Model	Lead wire length
D-LC05	0.5 m
D-LC30	3 m
D-LC50	5 m

Auto Switch Specifications

PLC: Programmable Logic Controller

D-H7C (With indicator light)	
Auto switch model	D-H7C
Wiring type	2-wire
Output type	—
Applicable load	24 VDC Relay, PLC
Power supply voltage	—
Current consumption	—
Load voltage	24 VDC (10 to 28 VDC)
Load current	5 to 40 mA
Internal voltage drop	4 V or less
Leakage current	0.8 mA or less at 24 VDC
Indicator light	Red LED illuminates when turned ON.
Standard	CE marking, RoHS

Note 1) Refer to page 1568 for solid state auto switch common specifications.

Note 2) Refer to page 1568 for lead wire lengths.

Note 3) Lead wires with a connector may be shipped with switches.

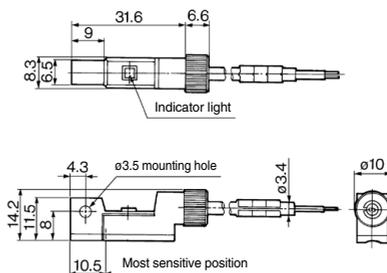
Weight

(g)

Auto switch model		D-H7C
Lead wire length	0.5 m (Nil)	15
	3 m (L)	54
	5 m (Z)	85

Dimensions

(mm)



D-□

Solid State Auto Switch Band Mounting Style D-G39/D-K39



Refer to SMC website for the details of the products conforming to the international standards.

Terminal conduit



Caution

Precautions

1. Use cable whose O.D. is within the size in the figure to maintain water resistant performance.
2. After wiring, confirm that tightening gland and all screws are tightened.

Auto Switch Specifications

PLC: Programmable Logic Controller

D-G39, D-K39 (With indicator light)		
Auto switch model	D-G39	D-K39
Wiring type	3-wire	2-wire
Output type	NPN	—
Applicable load	IC circuit, Relay, PLC	24 VDC Relay, PLC
Power supply voltage	5, 12, 24 VDC (4.5 to 28 VDC)	—
Current consumption	10 mA or less	—
Load voltage	28 VDC or less	24 VDC (10 to 28 VDC)
Load current	40 mA or less	5 to 40 mA
Internal voltage drop	1.5 V or less (0.8 V or less at 10 mA of load current)	4 V or less
Leakage current	100 μ A or less at 24 VDC	0.8 mA or less at 24 VDC
Indicator light	Red LED illuminates when turned ON.	
Standard	CE marking, RoHS	

Note) Refer to page 1568 for solid state auto switch common specifications.

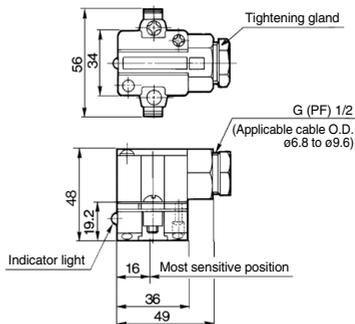
Weight

(g)

Auto switch model		D-G39	D-K39
Lead wire	None	116	

Dimensions

(mm)



Solid State Auto Switch Band Mounting Style D-G39A/D-K39A



Refer to SMC website for the details of the products conforming to the international standards.

Terminal conduit



Caution

Precautions

1. Use cable whose O.D. is within the size in the figure to maintain water resistant performance.
2. After wiring, confirm that tightening gland and all screws are tightened.

Auto Switch Specifications

PLC: Programmable Logic Controller

D-G39A, D-K39A (With indicator light)		
Auto switch model	D-G39A	D-K39A
Wiring type	3-wire	2-wire
Output type	NPN	—
Applicable load	IC circuit, Relay, PLC	24 VDC Relay, PLC
Power supply voltage	5, 12, 24 VDC (4.5 to 28 VDC)	—
Current consumption	10 mA or less	—
Load voltage	28 VDC or less	24 VDC (10 to 28 VDC)
Load current	40 mA or less	5 to 40 mA
Internal voltage drop	1.5 V or less (0.8 V or less at 10 mA of load current)	4 V or less
Leakage current	100 μ A or less at 24 VDC	0.8 mA or less at 24 VDC
Indicator light	Red LED illuminates when turned ON.	
Standard	CE marking, RoHS	

Note) Refer to page 1568 for solid state auto switch common specifications.

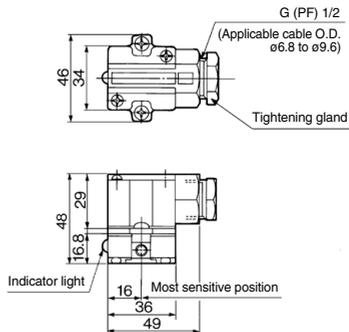
Weight

(g)

Auto switch model		D-G39A	D-K39A
Lead wire	None	110	

Dimensions

(mm)



D-□

Solid State Auto Switch Rail Mounting Style D-F79/D-F7P/D-J79



Refer to SMC website for the details of the products conforming to the international standards.

Grommet



Auto Switch Specifications

PLC: Programmable Logic Controller

D-F7□, D-J79 (With indicator light)			
Auto switch model	D-F79	D-F7P	D-J79
Wiring type	3-wire		2-wire
Output type	NPN	PNP	—
Applicable load	IC circuit, Relay, PLC		24 VDC Relay, PLC
Power supply voltage	5, 12, 24 VDC (4.5 to 28 VDC)		—
Current consumption	10 mA or less		—
Load voltage	28 VDC or less	—	24 VDC (10 to 28 VDC)
Load current	40 mA or less	80 mA or less	5 to 40 mA
Internal voltage drop	1.5 V or less (0.8 V or less at 10 mA load current)	0.8 V or less	4 V or less
Leakage current	100 μA or less at 24 VDC		0.8 mA or less at 24 VDC
Indicator light	Red LED illuminates when turned ON.		
Standard	CE marking, RoHS		

Oilproof Heavy-duty Lead Wire Specifications

Auto switch model		D-F79	D-F7P	D-J79
Sheath	Outside diameter [mm]	ø3.4		
Insulator	Number of cores	3 cores (Brown/Blue/Black)		2 cores (Brown/Blue)
	Outside diameter [mm]	ø1.1		
Conductor	Effective area [mm ²]	0.2		
	Strand diameter [mm]	ø0.08		
Minimum bending radius [mm] (Reference values)		21		

Note 1) Refer to page 1568 for solid state auto switch common specifications.
Note 2) Refer to page 1568 for lead wire lengths.

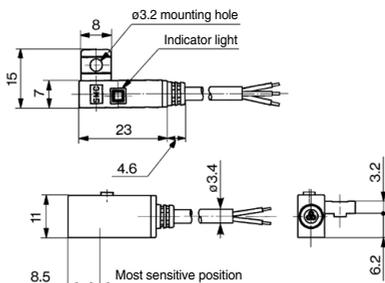
Weight

(g)

Auto switch model		D-F79	D-F7P	D-J79
Lead wire length	0.5 m (NII)	13		11
	3 m (L)	57		50
	5 m (Z)	92		81

Dimensions

(mm)



Solid State Auto Switch Rail Mounting Style

D-F7NV/D-F7PV/D-F7BV



Refer to SMC website for the details of the products conforming to the international standards.

Grommet
Electrical entry: Perpendicular



PLC: Programmable Logic Controller

Auto Switch Specifications

D-F7□V (With indicator light)			
Auto switch model	D-F7NV	D-F7PV	D-F7BV
Wiring type	3-wire		2-wire
Output type	NPN	PNP	—
Applicable load	IC circuit, Relay, PLC		24 VDC Relay, PLC
Power supply voltage	5, 12, 24 VDC (4.5 to 28 VDC)		—
Current consumption	10 mA or less		—
Load voltage	28 VDC or less	—	24 VDC (10 to 28 VDC)
Load current	40 mA or less	80 mA or less	5 to 40 mA
Internal voltage drop	1.5 V or less (0.8 V or less at 10 mA load current)	0.8 V or less	4 V or less
Leakage current	100 μ A or less at 24 VDC		0.8 mA or less at 24 VDC
Indicator light	Red LED illuminates when turned ON.		
Standard	CE marking, RoHS		

Oilproof Heavy-duty Lead Wire Specifications

Auto switch model		D-F7NV	D-F7PV	D-F7BV
Sheath	Outside diameter [mm]	ϕ 3.4		
Insulator	Number of cores	3 cores (Brown/Blue/Black)		2 cores (Brown/Blue)
	Outside diameter [mm]	ϕ 1.1		
Conductor	Effective area [mm ²]	0.2		
	Strand diameter [mm]	ϕ 0.08		
Minimum bending radius [mm] (Reference values)		21		

Note 1) Refer to page 1568 for solid state auto switch common specifications.

Note 2) Refer to page 1568 for lead wire lengths.

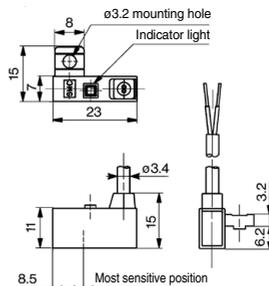
Weight

(g)

Auto switch model		D-F7NV	D-F7PV	D-F7BV
Lead wire length	0.5 m (NII)	13	—	11
	3 m (L)	—	57	50
	5 m (Z)	—	92	81

Dimensions

(mm)

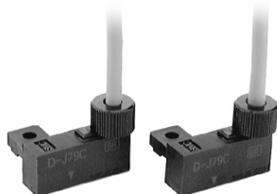


Solid State Auto Switch Rail Mounting Style D-J79C



Refer to SMC website for the details of the products conforming to the international standards.

Connector



Caution

Precautions

1. Confirm that the connector is appropriately tightened. If tightened insufficiently, the waterproof performance will deteriorate.
2. Refer to page 1653 for the details.

Lead wires with a connector indication

Part No. of Lead Wires with Connectors (Applicable only for connector type)

Model	Lead wire length
D-LC05	0.5 m
D-LC30	3 m
D-LC50	5 m

Auto Switch Specifications

PLC: Programmable Logic Controller

D-J79C (With indicator light)	
Auto switch model	D-J79C
Wiring type	2-wire
Output type	—
Applicable load	24 VDC Relay, PLC
Power supply voltage	—
Current consumption	—
Load voltage	24 VDC (10 to 28 VDC)
Load current	5 to 40 mA
Internal voltage drop	4 V or less
Leakage current	0.8 mA or less at 24 VDC
Indicator light	Red LED illuminates when turned ON.
Standard	CE marking, RoHS

Note 1) Refer to page 1568 for solid state auto switch common specifications.

Note 2) Refer to page 1568 for lead wire lengths.

Note 3) Lead wires with a connector may be shipped with auto switches.

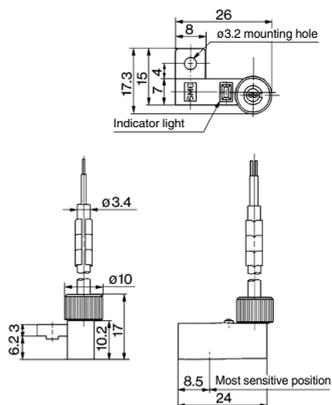
Weight

(g)

Auto switch model		D-J79C
Lead wire length	0.5 m (NII)	13
	3 m (L)	52
	5 m (Z)	83

Dimensions

(mm)



Solid State Auto Switch Tie-rod Mounting Style D-F59/D-F5P/D-J59



Grommet



Refer to SMC website for the details of the products conforming to the international standards.

Auto Switch Specifications

PLC: Programmable Logic Controller

D-F5□, D-J59 (With indicator light)			
Auto switch model	D-F59	D-F5P	D-J59
Wiring type	3-wire		2-wire
Output type	NPN	PNP	—
Applicable load	IC circuit, Relay, PLC		24 VDC Relay, PLC
Power supply voltage	5, 12, 24 VDC (4.5 to 28 VDC)		—
Current consumption	10 mA or less		—
Load voltage	28 VDC or less	—	24 VDC (10 to 28 VDC)
Load current	40 mA or less	80 mA or less	5 to 40 mA
Internal voltage drop	1.5 V or less (0.8 V or less at 10 mA load current)	0.8 V or less	4 V or less
Leakage current	100 μ A or less at 24 VDC		0.8 mA or less at 24 VDC
Indicator light	Red LED illuminates when turned ON.		
Standard	CE marking, RoHS		

Oilproof Heavy-duty Lead Wire Specifications

Auto switch model		D-F59	D-F5P	D-J59
Sheath	Outside diameter [mm]	ϕ 4		
	Number of cores	3 cores (Brown/Blue/Black)	2 cores (Brown/Blue)	
Insulator	Outside diameter [mm]	ϕ 1.22		
	Effective area [mm ²]	0.3		
Conductor	Strand diameter [mm]	ϕ 0.08		
	Minimum bending radius [mm] (Reference values)	24		

Note 1) Refer to page 1568 for solid state auto switch common specifications.
Note 2) Refer to page 1568 for lead wire lengths.

Weight

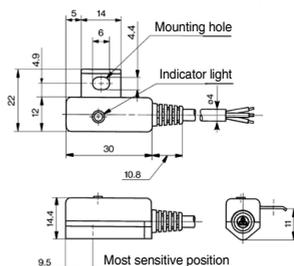
(g)

Auto switch model		D-F59	D-F5P	D-J59
Lead wire length	0.5 m (NII)	23	21	21
	3 m (L)	81	71	71
	5 m (Z)	127	111	111

Dimensions

(mm)

D-F59/D-F5P/D-J59



Solid State Auto Switch Tie-rod Mounting Style D-G39C/D-K39C



Refer to SMC website for the details of the products conforming to the international standards.

Terminal conduit



Caution

Precautions

1. Use cable whose O.D. is within the size in the figure to maintain water resistant performance.
2. After wiring, confirm that tightening gland and all screws are tightened.

Auto Switch Specifications

PLC: Programmable Logic Controller

D-G39C, D-K39C (With indicator light)		
Auto switch model	D-G39C	D-K39C
Wiring type	3-wire	2-wire
Output type	NPN	—
Applicable load	IC circuit, Relay, PLC	24 VDC Relay, PLC
Power voltage	5, 12, 24 VDC (4.5 to 28 VDC)	—
Current consumption	10 mA or less	—
Load voltage	28 VDC or less	24 VDC (10 to 28 VDC)
Load current	40 mA or less	5 to 40 mA
Internal voltage drop	1.5 V or less (0.8 V or less at 10 mA of load current)	4 V or less
Current leakage	100 μ A or less at 24 VDC	0.8 mA or less at 24 VDC
Indicator light	Red LED illuminates when turned ON.	
Standard	CE marking, RoHS	

Note) Refer to page 1568 for solid state auto switch common specifications.

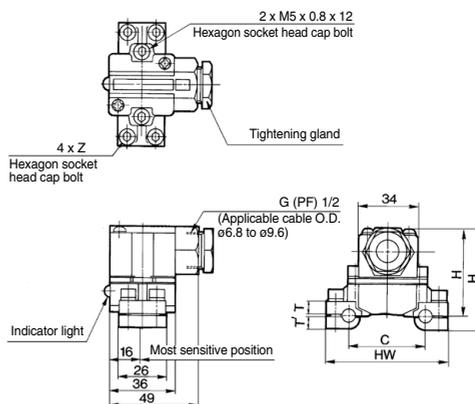
Weight

(g)

Auto switch model	Applicable bore size (mm)	Weight
D-G39C-4, K39C-4	40	162
D-G39C-5, K39C-5	50	166
D-G39C-6, K39C-6	63	184
D-G39C-8, K39C-8	80	210
D-G39C-10, K39C-10	100	232

Dimensions

(mm)



Dimensions

Auto switch model	Applicable bore size (mm)	C	HW	H	H'	T	T'	Z
D-G39C-4, D-K39C-4	40	44	69	57	49.5	7.5	6.5	M5 x 0.8 x 16
D-G39C-5, D-K39C-5	50	52	77	58	50.5	8.5	6.5	M5 x 0.8 x 20
D-G39C-6, D-K39C-6	63	64	91	60.5	52	10.5	7.5	M5 x 0.8 x 20
D-G39C-8, D-K39C-8	80	78	107	64	53.5	12.5	9.5	M5 x 0.8 x 25
D-G39C-10, D-K39C-10	100	92	121	67	56.5	15.5	9.5	M5 x 0.8 x 25

2-Color Indication Type Solid State Auto Switch Direct Mounting Style

D-M9NW(V)/D-M9PW(V)/D-M9BW(V)

Refer to SMC website for the details of the products conforming to the international standards.

Grommet

- 2-wire load current is reduced (2.5 to 40 mA).
- Flexibility is 1.5 times greater than the conventional model (SMC comparison).
- Using flexible cable as standard spec.
- The proper operating range can be determined by the color of the light. (Red → Green ← Red)



Caution

Precautions

Fix the auto switch with the existing screw installed on the auto switch body. The auto switch may be damaged if a screw other than the one supplied is used.

Auto Switch Specifications

PLC: Programmable Logic Controller

D-M9□W, D-M9□WV (With indicator light)						
Auto switch model	D-M9NW	D-M9NWV	D-M9PW	D-M9PWV	D-M9BW	D-M9BWV
Electrical entry direction	In-line	Perpendicular	In-line	Perpendicular	In-line	Perpendicular
Wiring type	3-wire			2-wire		
Output type	NPN		PNP		—	
Applicable load	IC circuit, Relay, PLC				24 VDC relay, PLC	
Power supply voltage	5, 12, 24 VDC (4.5 to 28 V)				—	
Current consumption	10 mA or less				—	
Load voltage	28 VDC or less		—		24 VDC (10 to 28 VDC)	
Load current	40 mA or less				2.5 to 40 mA	
Internal voltage drop	0.8 V or less at 10 mA (2 V or less at 40 mA)			4 V or less		
Leakage current	100 μA or less at 24 VDC				0.8 mA or less	
Indicator light	Operating range Red LED illuminates. Proper operating range Green LED illuminates.					
Standard	CE marking, RoHS					

Oilproof Flexible Heavy-duty Lead Wire Specifications

Auto switch model		D-M9NW□	D-M9PW□	D-M9BW□
Sheath	Outside diameter [mm]	2.7 x 3.2 (ellipse)		
Insulator	Number of cores	3 cores (Brown/Blue/Black)		2 cores (Brown/Blue)
	Outside diameter [mm]	ø0.9		
Conductor	Effective area [mm ²]	0.15		
	Strand diameter [mm]	ø0.05		
Minimum bending radius [mm] (Reference values)		20		

Note 1) Refer to page 1568 for solid state auto switch common specifications.

Note 2) Refer to page 1568 for lead wire lengths.

Weight

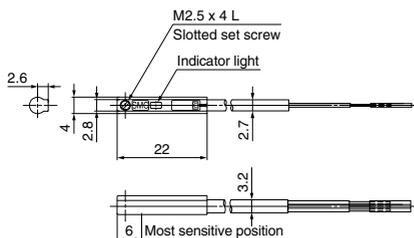
(g)

Auto switch model		D-M9NW(V)	D-M9PW(V)	D-M9BW(V)
Lead wire length	0.5 m (NII)	8	7	7
	1 m (M)	14	13	13
	3 m (L)	41	38	38
	5 m (Z)	68	63	63

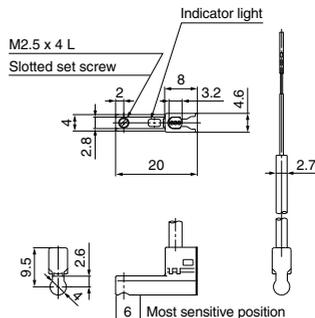
Dimensions

(mm)

D-M9□W



D-M9□WV



2-Color Indication Type Solid State Auto Switch Direct Mounting Style

D-Y7NW(V)/D-Y7PW(V)/D-Y7BW(V)



Refer to SMC website for the details of the products conforming to the international standards.

Grommet

- The proper operating range can be determined by the color of the light.
(Red → Green ← Red)
- Using flexible cable as standard spec.



Auto Switch Specifications

PLC: Programmable Logic Controller

D-Y7□W, D-Y7□WV (With indicator light)						
Auto switch model	D-Y7NW	D-Y7NWV	D-Y7PW	D-Y7PWV	D-Y7BW	D-Y7BWV
Electrical entry direction	In-line	Perpendicular	In-line	Perpendicular	In-line	Perpendicular
Wiring type	3-wire				2-wire	
Output type	NPN		PNP		—	
Applicable load	IC circuit, Relay, PLC				24 VDC relay, PLC	
Power supply voltage	5, 12, 24 VDC (4.5 to 28 VDC)				—	
Current consumption	10 mA or less				—	
Load voltage	28 VDC or less		—		24 VDC (10 to 28 VDC)	
Load current	40 mA or less		80 mA or less		2.5 to 40 mA	
Internal voltage drop	1.5 V or less (0.8 V or less at 10 mA load current)		0.8 V or less		4 V or less	
Leakage current	100 μA or less at 24 VDC				0.8 mA or less at 24 VDC	
Indicator light	Operating range Red LED illuminates. Proper operating range Green LED illuminates.					
Standard	CE marking, RoHS					

Oilproof Flexible Heavy-duty Lead Wire Specifications

Auto switch model		D-Y7NW□	D-Y7PW□	D-Y7BW□
Sheath	Outside diameter [mm]	ø3.4		
Insulator	Number of cores	3 cores (Brown/Blue/Black)		2 cores (Brown/Blue)
	Outside diameter [mm]	ø1.0		
Conductor	Effective area [mm ²]	0.15		
	Strand diameter [mm]	ø0.05		
Minimum bending radius [mm] (Reference values)		21		

Note 1) Refer to page 1568 for solid state auto switch common specifications.
Note 2) Refer to page 1568 for lead wire lengths.

Weight

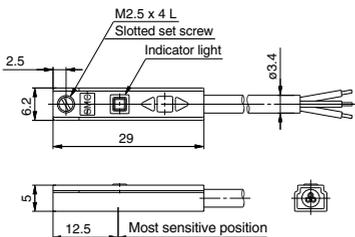
(g)

Auto switch model		D-Y7NW(V)	D-Y7PW(V)	D-Y7BW(V)
Lead wire length	0.5 m (Nil)	11		
	3 m (L)	54		
	5 m (Z)	88		

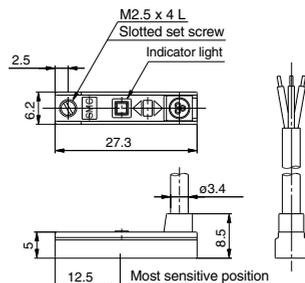
Dimensions

(mm)

D-Y7□W



D-Y7□WV



2-Color Indication Type Solid State Auto Switch Direct Mounting Style

D-M5NW/D-M5PW/D-M5BW

Refer to SMC website for the details of the products conforming to the international standards.

Grommet

The proper operating range can be determined by the color of the light.

(Red → Green ← Red)



Auto Switch Specifications

PLC: Programmable Logic Controller

D-M5□W (With indicator light)			
Auto switch model	D-M5NW	D-M5PW	D-M5BW
Wiring type	3-wire		2-wire
Output type	NPN	PNP	—
Applicable load	IC circuit, Relay, PLC		24 VDC Relay, PLC
Power supply voltage	5, 12, 24 VDC (4.5 to 28 VDC)		—
Current consumption	10 mA or less		—
Load voltage	28 VDC or less	—	24 VDC (10 to 28 VDC)
Load current	40 mA or less	80 mA or less	5 to 40 mA
Internal voltage drop	1.5 V or less (0.8 V or less at 10 mA load current)	0.8 V or less	4 V or less
Leakage current	100 μA or less at 24 VDC		0.8 mA or less at 24 VDC
Indicator light	Operating range Red LED illuminates. Proper operating range Green LED illuminates.		
Standard	CE marking, RoHS		

Oilproof Heavy-duty Lead Wire Specifications

Auto switch model		D-M5NW	D-M5PW	D-M5BW
Sheath	Outside diameter (mm)	ø3.4		
	Number of cores	3 cores (Brown/Blue/Black)		2 cores (Brown/Blue)
Insulator	Outside diameter (mm)	ø1.1		
	Effective area [mm ²]	0.2		
Conductor	Strand diameter (mm)	ø0.08		
	Minimum bending radius (mm) (Reference values)	21		

Note 1) Refer to page 1568 for solid state auto switch common specifications.

Note 2) Refer to page 1568 for lead wire lengths.

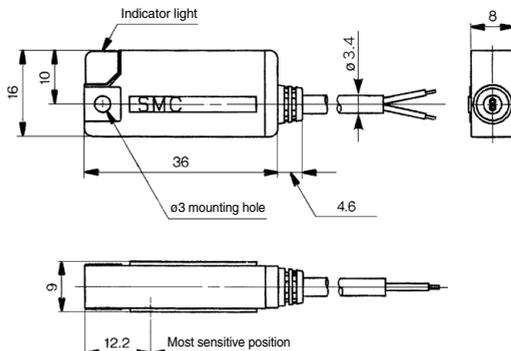
Weight

(g)

Auto switch model		D-M5NW	D-M5PW	D-M5BW
Lead wire length	0.5 m (NII)	16		14
	3 m (L)	60		53
	5 m (Z)	95		84

Dimensions

(mm)



D-□

2-Color Indication Type Solid State Auto Switch Band Mounting Style

D-H7NW/D-H7PW/D-H7BW



Refer to SMC website for the details of the products conforming to the international standards.

Grommet

The proper operating range can be determined by the color of the light.
(Red → Green ← Red)



PLC: Programmable Logic Controller

Auto Switch Specifications

D-H7□W (With indicator light)			
Auto switch model	D-H7NW	D-H7PW	D-H7BW
Wiring type	3-wire		2-wire
Output type	NPN	PNP	—
Applicable load	IC circuit, Relay, PLC		24 VDC relay, PLC
Power supply voltage	5, 12, 24 VDC (4.5 to 28 VDC)		—
Current consumption	10 mA or less		—
Load voltage	28 VDC or less	—	24 VDC (10 to 28 VDC)
Load current	40 mA or less	80 mA or less	5 to 40 mA
Internal voltage drop	1.5 V or less (0.8 V or less at 10 mA load current)	0.8 V or less	4 V or less
Leakage current	100 μA or less at 24 VDC		0.8 mA or less at 24 VDC
Indicator light	Operating range Red LED illuminates. Proper operating range Green LED illuminates.		
Standard	CE marking, RoHS		

Oilproof Heavy-duty Lead Wire Specifications

Auto switch model		D-H7NW	D-H7PW	D-H7BW
Sheath	Outside diameter (mm)	ø3.4		
Insulator	Number of cores	3 cores (Brown/Blue/Black)		2 cores (Brown/Blue)
	Outside diameter (mm)	ø1.1		
Conductor	Effective area (mm ²)	0.2		
	Strand diameter (mm)	ø0.08		
	Minimum bending radius (mm) (Reference values)	21		

Note 1) Refer to page 1568 for solid state auto switch common specifications.
Note 2) Refer to page 1568 for lead wire lengths.

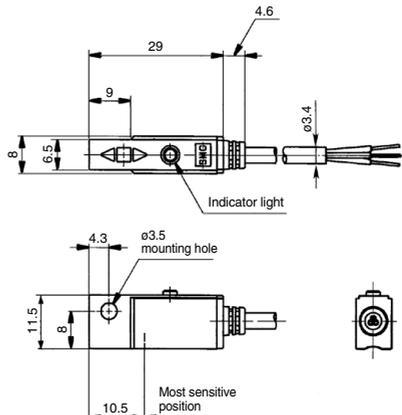
Weight

(g)

Auto switch model		D-H7NW	D-H7PW	D-H7BW
Lead wire length	0.5 m (NII)	13	—	11
	3 m (L)	57	—	50
	5 m (Z)	92	—	81

Dimensions

(mm)



2-Color Indication Type Solid State Auto Switch Band Mounting Style

D-G59W/D-G5PW/D-K59W



Refer to SMC website for the details of the products conforming to the international standards.

Grommet

The proper operating range can be determined by the color of the light.

(Red → Green ← Red)



Auto Switch Specifications

PLC: Programmable Logic Controller

D-G5□W, D-K59W (With indicator light)			
Auto switch model	D-G59W	D-G5PW	D-K59W
Wiring type	3-wire		2-wire
Output type	NPN	PNP	—
Applicable load	IC circuit, Relay, PLC		24 VDC Relay, PLC
Power supply voltage	5, 12, 24 VDC (4.5 to 28 VDC)		—
Current consumption	10 mA or less		—
Load voltage	28 VDC or less	—	24 VDC (10 to 28 VDC)
Load current	40 mA or less	80 mA or less	5 to 40 mA
Internal voltage drop	1.5 V or less (0.8 V or less at 10 mA load current)	0.8 V or less	4 V or less
Leakage current	100 μA or less at 24 VDC		0.8 mA or less at 24 VDC
Indicator light	Operating range Red LED illuminates. Proper operating range Green LED illuminates.		
Standard	CE marking, RoHS		

Oilproof Heavy-duty Lead Wire Specifications

Auto switch model		D-G59W	D-G5PW	D-K59W
Sheath	Outside diameter [mm]	ø4		
Insulator	Number of cores	3 cores (Brown/Blue/Black)		2 cores (Brown/Blue)
	Outside diameter [mm]	ø1.22		
Conductor	Effective area [mm ²]	0.3		
	Strand diameter [mm]	ø0.08		
Minimum bending radius [mm] (Reference values)		24		

Note 1) Refer to page 1568 for solid state auto switch common specifications.

Note 2) Refer to page 1568 for lead wire lengths.

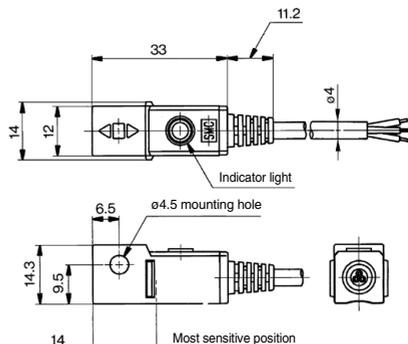
Weight

(g)

Auto switch model		D-G59W	D-G5PW	D-K59W
Lead wire length	0.5 m (NII)	20		18
	3 m (L)	78		68
	5 m (Z)	124		108

Dimensions

(mm)



2-Color Indication Type Solid State Auto Switch Rail Mounting Style

D-F79W/D-F7PW/D-J79W



Refer to SMC website for the details of the products conforming to the international standards.

Grommet

The proper operating range can be determined by the color of the light.

(Red → Green ← Red)



PLC: Programmable Logic Controller

Auto Switch Specifications

D-F7□W, D-J79W (With indicator light)			
Auto switch model	D-F79W	D-F7PW	D-J79W
Wiring type	3-wire		2-wire
Output type	NPN	PNP	—
Applicable load	IC circuit, Relay, PLC		24 VDC Relay, PLC
Power supply voltage	5, 12, 24 VDC (4.5 to 28 VDC)		—
Current consumption	10 mA or less		—
Load voltage	28 VDC or less	—	24 VDC (10 to 28 VDC)
Load current	40 mA or less	80 mA or less	5 to 40 mA
Internal voltage drop	1.5 V or less (0.8 V or less at 10 mA load current)	0.8 V or less	4 V or less
Leakage current	100 μA or less at 24 VDC		0.8 mA or less at 24 VDC
Indicator light	Operating range Red LED illuminates. Proper operating range Green LED illuminates.		
Standard	CE marking, RoHS		

Oilproof Heavy-duty Lead Wire Specifications

Auto switch model		D-F79W	D-F7PW	D-J79W
Sheath	Outside diameter [mm]	ø3.4		
Insulator	Number of cores	3 cores (Brown/Blue/Black)		2 cores (Brown/Blue)
	Outside diameter [mm]	ø1.1		
Conductor	Effective area [mm ²]	0.2		
	Strand diameter [mm]	ø0.08		
Minimum bending radius [mm] (Reference values)		21		

Note 1) Refer to page 1568 for solid state auto switch common specifications.

Note 2) Refer to page 1568 for lead wire lengths.

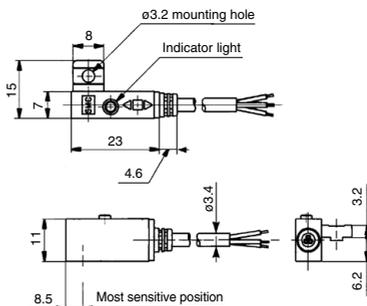
Weight

(g)

Auto switch model		D-F79W	D-F7PW	D-J79W
Lead wire length	0.5 m (NII)	13		11
	3 m (L)	57		50
	5 m (Z)	92		81

Dimensions

(mm)



2-Color Indication Type Solid State Auto Switch Rail Mounting Style D-F7NWV/D-F7BWV



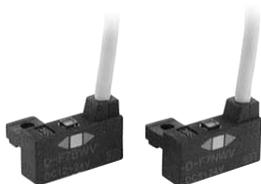
Refer to SMC website for the details of the products conforming to the international standards.

PLC: Programmable Logic Controller

**Grommet
Electrical entry: Perpendicular**

The proper operating range can be determined by the color of the light.

(Red → Green ← Red)



Auto Switch Specifications

D-F7□WV (With indicator light)		
Auto switch model	D-F7NWV	D-F7BWV
Wiring type	3-wire	2-wire
Output type	NPN	—
Applicable load	IC circuit, Relay, PLC	24 VDC Relay, PLC
Power supply voltage	5, 12, 24 VDC (4.5 to 28 VDC)	—
Current consumption	10 mA or less	—
Load voltage	28 VDC or less	24 VDC (10 to 28 VDC)
Load current	40 mA or less	5 to 40 mA
Internal voltage drop	1.5 V or less (0.8 V or less at 10 mA load current)	4 V or less
Leakage current	100 μA or less at 24 VDC	0.8 mA or less at 24 VDC
Indicator light	Operating range Red LED illuminates. Proper operating range Green LED illuminates.	
Standard	CE marking, RoHS	

Oilproof Heavy-duty Lead Wire Specifications

Auto switch model		D-F7NWV	D-F7BWV
Sheath	Outside diameter [mm]	ø3.4	
	Number of cores	3 cores (Brown/Blue/Black)	2 cores (Brown/Blue)
Insulator	Outside diameter [mm]	ø1.1	
	Effective area [mm ²]	0.2	
Conductor	Strand diameter [mm]	ø0.08	
	Minimum bending radius [mm] (Reference values)	21	

Note 1) Refer to page 1568 for solid state auto switch common specifications.
Note 2) Refer to page 1568 for lead wire lengths.

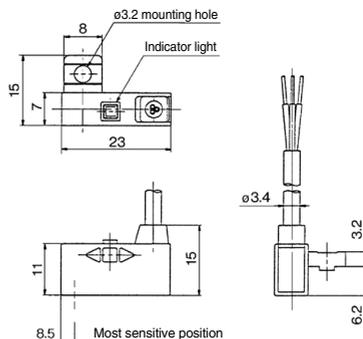
Weight

(g)

Auto switch model		D-F7NWV	D-F7BWV
Lead wire length	0.5 m (NII)	13	11
	3 m (L)	57	50
	5 m (Z)	92	81

Dimensions

(mm)



2-Color Indication Type Solid State Auto Switch Tie-rod Mounting Style

D-F59W/D-F5PW/D-J59W



Refer to SMC website for the details of the products conforming to the international standards.

Auto Switch Specifications

PLC: Programmable Logic Controller

D-F5□W, D-J59W (With indicator light)			
Auto switch model	D-F59W	D-F5PW	D-J59W
Wiring type	3-wire		2-wire
Output type	NPN	PNP	—
Applicable load	IC circuit, Relay, PLC		24 VDC Relay, PLC
Power supply voltage	5, 12, 24 VDC (4.5 to 28 VDC)		—
Current consumption	10 mA or less		—
Load voltage	28 VDC or less	—	24 VDC (10 to 28 VDC)
Load current	40 mA or less	80 mA or less	5 to 40 mA
Internal voltage drop	1.5 V or less (0.8 V or less at 10 mA load current)	0.8 V or less	4 V or less
Leakage current	100 μA or less at 24 VDC		0.8 mA or less at 24 VDC
Indicator light	Operating range Red LED illuminates. Proper operating range Green LED illuminates.		
Standard	CE marking, RoHS		

Grommet

The proper operating range can be determined by the color of the light.

(Red → Green ← Red)



Oilproof Heavy-duty Lead Wire Specifications

Auto switch model		D-F59W	D-F5PW	D-J59W
Sheath	Outside diameter [mm]	ø4		
	Number of cores	3 cores (Brown/Blue/Black)		2 cores (Brown/Blue)
Insulator	Outside diameter [mm]	ø1.22		
	Effective area [mm ²]	0.3		
Conductor	Strand diameter [mm]	ø0.08		
	Minimum bending radius [mm] (Reference values)	24		

Note 1) Refer to page 1568 for solid state auto switch common specifications.
Note 2) Refer to page 1568 for lead wire lengths.

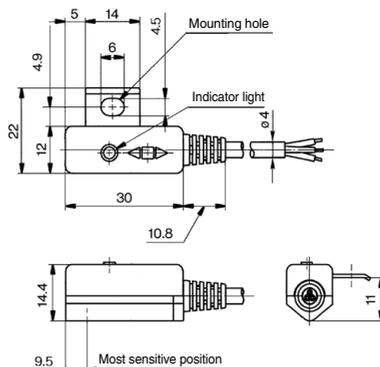
Weight

(g)

Auto switch model		D-F59W	D-F5PW	D-J59W
Lead wire length	0.5 m (NII)	23		21
	3 m (L)	81		71
	5 m (Z)	127		111

Dimensions

(mm)



2-Color Indication Type with Diagnostic Output Solid State Auto Switch: Band Mounting Style D-H7NF



Refer to SMC website for the details of the products conforming to the international standards.

Grommet

Since the diagnostic output signal can be detected in the red display area, the difference of detecting position can be confirmed by the side of PLC (Programmable Logic Controller).



PLC: Programmable Logic Controller

Auto Switch Specifications

D-H7NF (With indicator light)	
Auto switch model	D-H7NF
Wiring type	4-wire
Output type	NPN
Diagnostic output	Normal operation
Applicable load	IC circuit, Relay, PLC
Power voltage	5, 12, 24 VDC (4.5 to 28 VDC)
Current consumption	10 mA or less
Load voltage	28 VDC or less
Load current	50 mA or less at the total amount of normal output and diagnostic output
Internal voltage drop	1.5 V or less (0.8 V or less at each output 5 mA)
Current leakage	100 μ A or less at 24 VDC
Indicator light	Operating range Red LED illuminates. Proper operating range Green LED illuminates.
Standard	CE marking, RoHS

Oilproof Heavy-duty Lead Wire Specifications

Auto switch model		D-H7NF
Sheath	Outside diameter [mm]	ϕ 3.4
	Number of cores	4 cores (Brown/Blue/Black/Orange)
Insulator	Outside diameter [mm]	ϕ 0.98
	Effective area [mm ²]	0.2
Conductor	Strand diameter [mm]	ϕ 0.08
	Minimum bending radius [mm] (Reference values)	21

Note 1) Refer to page 1568 for solid state auto switch common specifications.
Note 2) Refer to page 1568 for lead wire lengths.

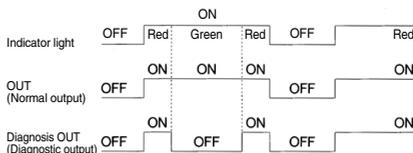
Weight

(g)

Auto switch model		D-H7NF
Lead wire length	0.5 m (Nil)	13
	3 m (L)	56
	5 m (Z)	90

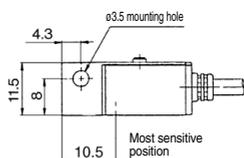
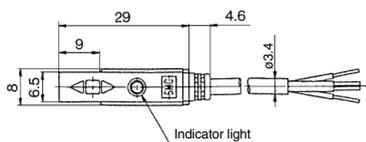
Diagnostic Output Operation

The diagnostic output signal is output within the red display area (where indicator light is Red), and the diagnostic output becomes OFF when the detecting position remains within the proper operating range (where indicator is Green). When the detecting position is not adjusted, the diagnostic output becomes ON.



Dimensions

(mm)



2-Color Indication Type with Diagnostic Output Solid State Auto Switch: Band Mounting Style D-G59F



Refer to SMC website for the details of the products conforming to the international standards.

Grommet

Since the diagnostic output signal can be detected in the red display area, the difference of detecting position can be confirmed by the side of PLC (Programmable Logic Controller).



Auto Switch Specifications

PLC: Programmable Logic Controller

D-G59F (With indicator light)	
Auto switch model	D-G59F
Wiring type	4-wire
Output type	NPN
Diagnostic output	Normal operation
Applicable load	IC circuit, Relay, PLC
Power voltage	5, 12, 24 VDC (4.5 to 28 VDC)
Current consumption	10 mA or less
Load voltage	28 VDC or less
Load current	50 mA or less at the total amount of normal output and diagnostic output
Internal voltage drop	1.5 V or less (0.8 V or less at 5 mA)
Current leakage	100 μ A or less at 24 VDC
Indicator light	Operating range Red LED illuminates. Proper operating range Green LED illuminates.
Standard	CE marking, RoHS

Oilproof Heavy-duty Lead Wire Specifications

Auto switch model		D-G59F
Sheath	Outside diameter [mm]	ϕ 4
	Number of cores	4 cores (Brown/Blue/Black/Orange)
Insulator	Outside diameter [mm]	ϕ 1.29
	Effective area [mm ²]	0.3
Conductor	Strand diameter [mm]	ϕ 0.08
	Minimum bending radius [mm] (Reference values)	24

Note 1) Refer to page 1568 for solid state auto switch common specifications.
Note 2) Refer to page 1568 for lead wire lengths.

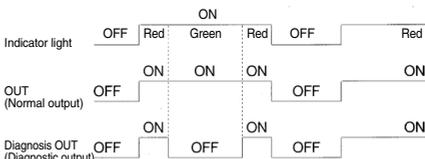
Weight

(g)

Auto switch model		D-G59F
Lead wire length	0.5 m (NII)	20
	3 m (L)	74
	5 m (Z)	117

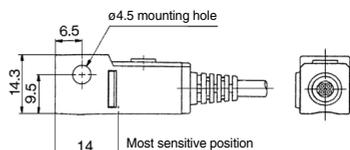
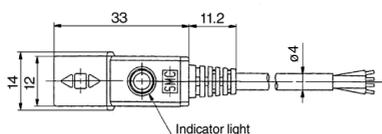
Diagnostic Output Operation

The diagnostic output signal is output within the red display area (where indicator light is Red), and the diagnostic output becomes OFF when the detecting position remains within the proper operating range (where indicator is Green). When the detecting position is not adjusted, the diagnostic output becomes ON.



Dimensions

(mm)



2-Color Indication Type with Diagnostic Output Solid State Auto Switch: Rail Mounting Style D-F79F



Refer to SMC website for the details of the products conforming to the international standards.

Grommet

Since the diagnostic output signal can be detected in the red display area, the difference of detecting position can be confirmed by the side of PLC (Programmable Logic Controller).



Auto Switch Specifications

PLC: Programmable Logic Controller

D-F79F (With indicator light)	
Auto switch model	D-F79F
Wiring type	4-wire
Output type	NPN
Diagnostic output	Normal operation
Applicable load	IC circuit, Relay, PLC
Power supply voltage	5, 12, 24 VDC (4.5 to 28 VDC)
Current consumption	10 mA or less
Load voltage	28 VDC or less
Load current	50 mA or less at the total amount of normal output and diagnostic output
Internal voltage drop	1.5 V or less (0.8 V or less at 5 mA)
Leakage current	100 μ A or less at 24 VDC
Indicator light	Operating range Red LED illuminates. Proper operating range Green LED illuminates.
Standard	CE marking, RoHS

Oilproof Heavy-duty Lead Wire Specifications

Auto switch model		D-F79F
Sheath	Outside diameter [mm]	ϕ 3.4
Insulator	Number of cores	4 cores (Brown/Blue/Black/Orange)
	Outside diameter [mm]	ϕ 0.98
Conductor	Effective area [mm ²]	0.2
	Strand diameter [mm]	ϕ 0.08
Minimum bending radius [mm] (Reference values)		21

Note 1) Refer to page 1568 for solid state auto switch common specifications.

Note 2) Refer to page 1568 for lead wire lengths.

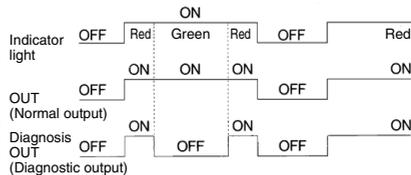
Weight

(g)

Auto switch model		D-F79F
Lead wire length	0.5 m (NII)	13
	3 m (L)	56
	5 m (Z)	90

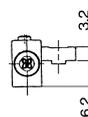
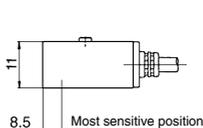
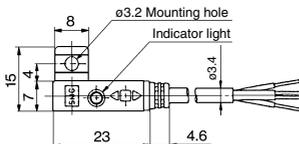
Diagnostic Output Operation

The diagnostic output signal is output within the red display area (where indicator light is Red), and it is not output within the proper operating range (where indicator light is Green). When the auto switch detecting position is not adjusted, the diagnostic output becomes activated.



Dimensions

(mm)



2-Color Indication Type with Diagnostic Output Solid State Auto Switch: Tie-rod Mounting Style D-F59F



Refer to SMC website for the details of the products conforming to the international standards.

Grommet

Since the diagnostic output signal can be detected in the red display area, the difference of detecting position can be confirmed by the side of PLC (Programmable Logic Controller).



Auto Switch Specifications

PLC: Programmable Logic Controller

D-F59F (With indicator light)	
Auto switch model	D-F59F
Wiring type	4-wire
Output type	NPN
Diagnostic output	Normal operation
Applicable load	IC circuit, Relay, PLC
Power supply voltage	5, 12, 24 VDC (4.5 to 28 VDC)
Current consumption	10 mA or less
Load voltage	28 VDC or less
Load current	50 mA or less at the total amount of normal output and diagnostic output
Internal voltage drop	1.5 V or less (0.8 V or less at 5 mA)
Leakage current	100 μ A or less at 28 VDC
Indicator light	Operating range Red LED illuminates. Proper operating range Green LED illuminates.
Standard	CE marking, RoHS

Oilproof Heavy-duty Lead Wire Specifications

Auto switch model		D-F59F
Sheath	Outside diameter [mm]	ϕ 4
	Number of cores	4 cores (Brown/Blue/Black/Orange)
Insulator	Outside diameter [mm]	ϕ 1.29
	Effective area [mm ²]	0.3
Conductor	Strand diameter [mm]	ϕ 0.08
	Minimum bending radius [mm] (Reference values)	24

Note 1) Refer to page 1568 for solid state auto switch common specifications.

Note 2) Refer to page 1568 for lead wire lengths.

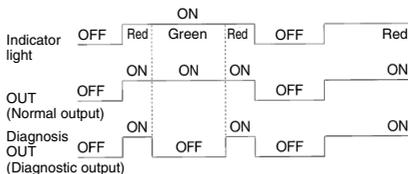
Weight

(g)

Auto switch model		D-F59F
Lead wire length	0.5 m (NII)	22
	3 m (L)	77
	5 m (Z)	121

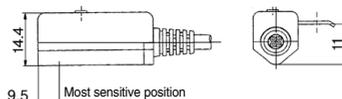
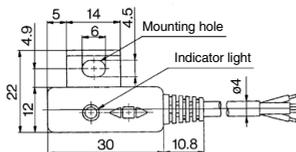
Diagnostic Output Operation

The diagnostic output signal is output within the red display area (where indicator light is Red), and it is not output within the proper operating range (where indicator light is Green). When the auto switch detecting position is not adjusted, the diagnostic output becomes activated.



Dimensions

(mm)



Water Resistant 2-Color Indication Type Solid State Auto Switch: Direct Mounting Style

D-M9NA(V)/D-M9PA(V)/D-M9BA(V)

Grommet

- Water (coolant) resistant type
- 2-wire load current is reduced (2.5 to 40 mA).
- The proper operating range can be determined by the color of the light. (Red → Green ← Red)
- Using flexible cable as standard spec.



Caution

Precautions

Fix the auto switch with the existing screw installed on the auto switch body. The auto switch may be damaged if a screw other than the one supplied is used. Please consult with SMC if using coolant liquid other than water based solution.

Auto Switch Specifications

PLC: Programmable Logic Controller

D-M9□A, D-M9□AV (With indicator light)						
Auto switch model	D-M9NA	D-M9NAV	D-M9PA	D-M9PAV	D-M9BA	D-M9BAV
Electrical entry direction	In-line	Perpendicular	In-line	Perpendicular	In-line	Perpendicular
Wiring type	3-wire			2-wire		
Output type	NPN		PNP		—	
Applicable load	IC circuit, Relay, PLC				24 VDC relay, PLC	
Power supply voltage	5, 12, 24 VDC (4.5 to 28 V)					—
Current consumption	10 mA or less					—
Load voltage	28 VDC or less		—		24 VDC (10 to 28 VDC)	
Load current	40 mA or less				2.5 to 40 mA	
Internal voltage drop	0.8 V or less at 10 mA (2 V or less at 40 mA)				4 V or less	
Leakage current	100 μA or less at 24 VDC				0.8 mA or less	
Indicator light	Operating range Red LED illuminates. Proper operating range Green LED illuminates.					
Standard	CE marking, RoHS					

Oilproof Flexible Heavy-duty Lead Wire Specifications

Auto switch model		D-M9NA□	D-M9PA□	D-M9BA□
Sheath	Outside diameter [mm]	2.7 x 3.2 (ellipse)		
Insulator	Number of cores	3 cores (Brown/Blue/Black)		2 cores (Brown/Blue)
	Outside diameter [mm]	ø0.9		
Conductor	Effective area [mm ²]	0.15		
	Strand diameter [mm]	ø0.05		
Minimum bending radius [mm] (Reference values)		20		

Note 1) Refer to page 1568 for solid state auto switch common specifications.

Note 2) Refer to page 1568 for lead wire lengths.

Weight

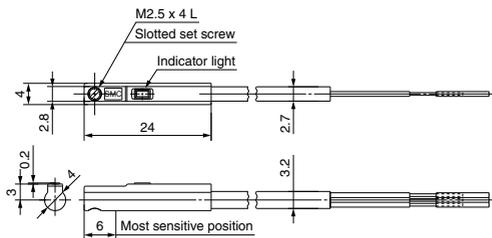
(g)

Auto switch model		D-M9NA(V)	D-M9PA(V)	D-M9BA(V)
Lead wire length	0.5 m (NII)	8	7	7
	1 m (M)	14	13	13
	3 m (L)	41	38	38
	5 m (Z)	68	63	63

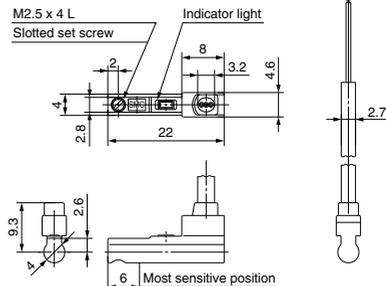
Dimensions

(mm)

D-M9□A



D-M9□AV



Water Resistant 2-Color Indication Type Solid State Auto Switch: Direct Mounting Style D-Y7BA



Refer to SMC website for the details of the products conforming to the international standards.

Grommet

- Water (coolant) resistant type
- Using flexible cable as standard spec.
- The proper operating range can be determined by the color of the light.
(Red → Green ← Red)



Caution

Precautions

Please consult with SMC if using coolant liquid other than water based solution. Detection characteristics (operating range) are the same as D-Y5□ and D-Y7□W, but the detection area length is different.

Auto Switch Specifications

PLC: Programmable Logic Controller

D-Y7BA (With indicator light)	
Auto switch model	D-Y7BA
Wiring type	2-wire
Applicable load	24 VDC Relay, PLC
Load voltage	24 VDC (10 to 28 VDC)
Load current	2.5 to 40 mA
Internal voltage drop	4 V or less
Leakage current	0.8 mA or less at 24 VDC
Indicator light	Operating range Red LED illuminates. Proper operating range Green LED illuminates.
Standard	CE marking, RoHS

Oilproof Flexible Heavy-duty Lead Wire Specifications

Auto switch model		D-Y7BA
Sheath	Outside diameter (mm)	ø3.4
	Number of cores	2 cores (Brown/Blue)
Insulator	Outside diameter (mm)	ø1
	Effective area (mm ²)	0.15
Conductor	Strand diameter (mm)	ø0.05
	Minimum bending radius (mm) (Reference values)	21

Note 1) Refer to page 1568 for solid state auto switch common specifications.

Note 2) Refer to page 1568 for lead wire lengths.

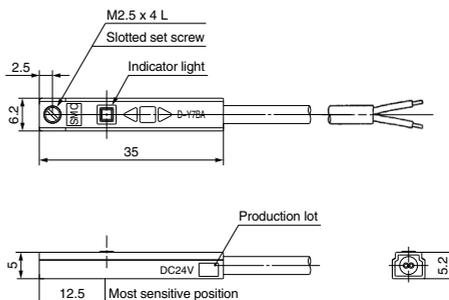
Weight

(g)

Auto switch model		D-Y7BA
Lead wire length	3 m (L)	54
	5 m (Z)	88

Dimensions

(mm)



Water Resistant 2-Color Indication Type Solid State Auto Switch: Band Mounting Style D-H7BA



Refer to SMC website for the details of the products conforming to the international standards.

Grommet

- Water (coolant) resistant type
- The proper operating range can be determined by the color of the light.
(Red → Green ← Red)



Caution

Precautions

Please consult with SMC if using coolant liquid other than water based solution.

Auto Switch Specifications

PLC: Programmable Logic Controller

D-H7BA (With indicator light)	
Auto switch model	D-H7BA
Wiring type	2-wire
Output type	—
Applicable load	24 VDC Relay, PLC
Power supply voltage	—
Current consumption	—
Load voltage	24 VDC (10 to 28 VDC)
Load current	5 to 40 mA
Internal voltage drop	4 V or less
Leakage current	0.8 mA or less at 24 VDC
Indicator light	Operating range Red LED illuminates. Proper operating range Green LED illuminates.
Standard	CE marking, RoHS

Oilproof Heavy-duty Lead Wire Specifications

Auto switch model		D-H7BA
Sheath	Outside diameter [mm]	ø3.4
Insulator	Number of cores	2 cores (Brown/Blue)
	Outside diameter [mm]	ø1.1
Conductor	Effective area [mm ²]	0.2
	Strand diameter [mm]	ø0.08
Minimum bending radius [mm] (Reference values)		21

Note 1) Refer to page 1568 for solid state auto switch common specifications.

Note 2) Refer to page 1568 for lead wire lengths.

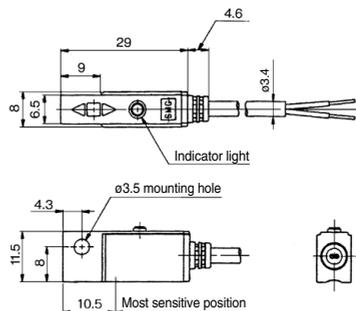
Weight

(g)

Auto switch model		D-H7BA
Lead wire length	3 m (L)	50
	5 m (Z)	81

Dimensions

(mm)



Water Resistant 2-Color Indication Type Solid State Auto Switch: Band Mounting Style D-G5BA



Refer to SMC website for the details of the products conforming to the international standards.

Grommet

- Water (coolant) resistant type
- The proper operating range can be determined by the color of the light.
(Red → Green ← Red)



Caution

Precautions

Please consult with SMC if using coolant liquid other than water based solution.

Auto Switch Specifications

PLC: Programmable Logic Controller

D-G5BA (With indicator light)	
Auto switch model	D-G5BA
Wiring type	2-wire
Output type	—
Applicable load	24 VDC Relay, PLC
Power supply voltage	—
Current consumption	—
Load voltage	24 VDC (10 to 28 VDC)
Load current	5 to 40 mA
Internal voltage drop	4 V or less
Leakage current	0.8 mA or less at 24 VDC
Indicator light	Operating range Red LED illuminates. Proper operating range Green LED illuminates.
Standard	CE marking, RoHS

Oilproof Heavy-duty Lead Wire Specifications

Auto switch model		D-G5BA
Sheath	Outside diameter [mm]	ø4
Insulator	Number of cores	2 cores (Brown/Blue)
	Outside diameter [mm]	ø1.22
Conductor	Effective area [mm ²]	0.3
	Strand diameter [mm]	ø0.08
Minimum bending radius [mm] (Reference values)		24

Note 1) Refer to page 1568 for solid state auto switch common specifications.

Note 2) Refer to page 1568 for lead wire lengths.

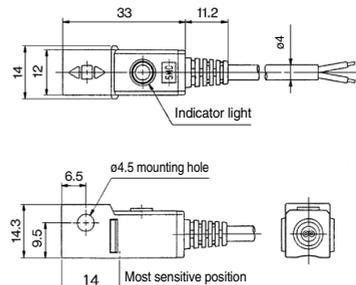
Weight

(g)

Auto switch model		D-G5BA
Lead wire length	3 m (L)	68
	5 m (Z)	108

Dimensions

(mm)



Water Resistant 2-Color Indication Type Solid State Auto Switch: Rail Mounting Style D-F7BA(V)



Refer to SMC website for the details of the products conforming to the international standards.

Grommet

- Water (coolant) resistant type
- The proper operating range can be determined by the color of the light.
(Red → Green ← Red)



Caution

Precautions

Please consult with SMC if using coolant liquid other than water based solution.

Auto Switch Specifications

PLC: Programmable Logic Controller

D-F7BA(V) (With indicator light)		
Auto switch model	D-F7BA	D-F7BAV
Electrical entry direction	In-line	Perpendicular
Wiring type	2-wire	
Output type	—	
Applicable load	24 VDC Relay, PLC	
Power supply voltage	—	
Current consumption	—	
Load voltage	24 VDC (10 to 28 VDC)	
Load current	5 to 40 mA	
Internal voltage drop	4 V or less	
Leakage current	0.8 mA or less at 24 VDC	
Indicator light	Operating range Red LED illuminates. Proper operating range Green LED illuminates.	
Standard	CE marking, RoHS	

Oilproof Heavy-duty Lead Wire Specifications

Auto switch model		D-F7BA
Sheath	Outside diameter (mm)	ø3.4
	Number of cores	2 cores (Brown/Blue)
Insulator	Outside diameter (mm)	ø1.1
	Effective area [mm ²]	0.2
Conductor	Strand diameter (mm)	ø0.08
	Minimum bending radius (mm) (Reference values)	21

Note 1) Refer to page 1568 for solid state auto switch common specifications.
Note 2) Refer to page 1568 for lead wire lengths.

Weight

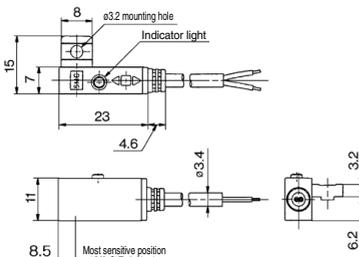
(g)

Auto switch model		D-F7BA	D-F7BAV
Lead wire length	3 m (L)	50	
	5 m (Z)		81

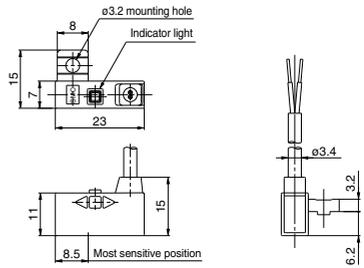
Dimensions

(mm)

D-F7BA



D-F7BAV



Water Resistant 2-Color Indication Type Solid State Auto Switch: Tie-rod Mounting Style D-F5BA



Refer to SMC website for the details of the products conforming to the international standards.

Grommet

- Water (coolant) resistant type
- The proper operating range can be determined by the color of the light.
(Red → Green ← Red)



Caution

Precautions

Please consult with SMC if using coolant liquid other than water based solution.

Auto Switch Specifications

PLC: Programmable Logic Controller

D-F5BA (With indicator light)	
Auto switch model	D-F5BA
Wiring type	2-wire
Output type	—
Applicable load	24 VDC Relay, PLC
Power supply voltage	—
Current consumption	—
Load voltage	24 VDC (10 to 28 VDC)
Load current	5 to 40 mA
Internal voltage drop	4 V or less
Leakage current	0.8 mA or less at 24 VDC
Indicator light	Operating range Red LED illuminates. Proper operating range Green LED illuminates.
Standard	CE marking, RoHS

Oilproof Heavy-duty Lead Wire Specifications

Auto switch model		D-F5BA
Sheath	Outside diameter [mm]	ø4
	Number of cores	2 cores (Brown/Blue)
Conductor	Outside diameter [mm]	ø1.22
	Effective area [mm ²]	0.3
	Strand diameter [mm]	ø0.08
Minimum bending radius [mm] (Reference values)		24

Note 1) Refer to page 1568 for solid state auto switch common specifications.

Note 2) Refer to page 1568 for lead wire lengths.

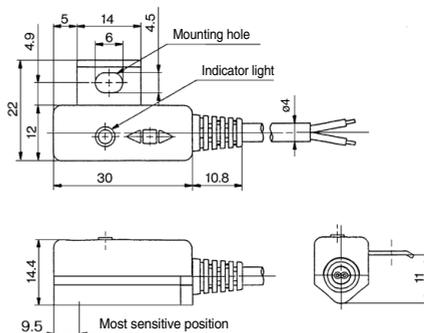
Weight

(g)

Auto switch model		D-F5BA
Lead wire length	3 m (L)	71
	5 m (Z)	111

Dimensions

(mm)



For Hygienic Design Cylinders Solid State Auto Switch: Direct Mounting Style D-F6N/D-F6P/D-F6B



Grommet

- 2-wire load current is reduced (2.5 to 40 mA)
- Using flexible cable as standard spec.



⚠ Caution

Precautions

Fix the auto switch with the existing screw installed on the auto switch body.
The auto switch may be damaged if a screw other than the one supplied is used.

Auto Switch Specifications

PLC: Programmable Logic Controller

D-F6□ (With indicator light)			
Auto switch part no.	D-F6N	D-F6P	D-F6B
Electrical entry direction	In-line		
Wiring type	3-wire		2-wire
Output type	NPN	PNP	—
Applicable load	IC circuit, relay, and PLC		24 VDC relay, PLC
Power supply voltage	5, 12, 24 VDC (4.5 to 28 V)		—
Current consumption	10 mA or less		—
Load voltage	28 VDC or less	—	24 VDC (10 to 28 VDC)
Load current	40 mA or less		2.5 to 40 mA
Internal voltage drop	0.8 V or less at 10 mA (2V or less at 40 mA)		4 V or less
Leakage current	100 μA or less at 24 V DC		0.8 mA or less
Indicator light	Red LED illuminates when turned ON.		
Standard	CE marking, RoHS		

Oilproof Flexible Heavy-duty Lead Wire Specifications

Auto switch model		D-F6N□	D-F6P□	D-F6B□
Sheath	Outside diameter [mm]	2.7 x 3.2 (ellipse)		
Insulator	Number of cores	3 cores (Brown/Blue/Black)		2 cores (Brown/Blue)
	Outside diameter [mm]	ø0.9		
Conductor	Effective area [mm ²]	0.15		
	Strand diameter [mm]	ø0.05		
Minimum bending radius [mm] (Reference values)		20		

Note 1) Refer to page 1568 for solid state auto switch common specifications.
Note 2) Refer to page 1568 for lead wire lengths.

Weight

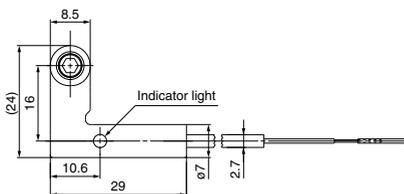
(g)

Auto switch model		D-F6N	D-F6P	D-F6B
Lead wire length	0.5 m (Nil)	20	—	19
	3 m (L)	53	—	50
	5 m (Z)	80	—	75

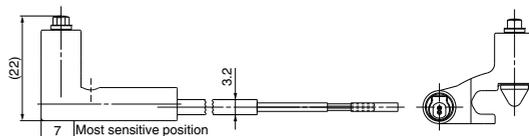
Dimensions

(mm)

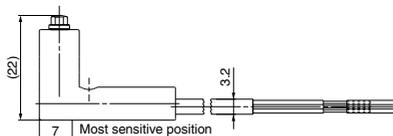
D-F6□



D-F6B



D-F6N/F6P



D-□

Solid State Auto Switch with Timer Band Mounting Style D-G5NT



Refer to SMC website for the details of the products conforming to the international standards.

Grommet

- With built-in OFF-delay timer (approx. 200 ms)
- Easy intermediate detection



Auto Switch Specifications

PLC: Programmable Logic Controller

D-G5NT (With indicator light)	
Auto switch model	D-G5NT
Wiring type	3-wire
Output type	NPN
Output operation	Off-delay
Operating time	1 ms or less
Off-delay time	200 ± 50 ms
Applicable load	IC circuit, Relay, PLC
Power supply voltage	5, 12, 24 VDC (4.5 to 28 VDC)
Current consumption	10 mA or less
Load voltage	28 VDC or less
Load current	40 mA or less
Internal voltage drop	1.5 V or less (0.8 V or less at 10 mA)
Leakage current	100 µA or less at 24 VDC
Indicator light	Red LED illuminates when turned ON.
Standard	CE marking, RoHS

Oilproof Heavy-duty Lead Wire Specifications

Auto switch model		D-G5NT
Sheath	Outside diameter [mm]	ø4
Insulator	Number of cores	3 cores (Brown/Blue/Black)
	Outside diameter [mm]	ø1.22
Conductor	Effective area [mm ²]	0.3
	Strand diameter [mm]	ø0.08
Minimum bending radius [mm] (Reference values)		24

Note 1) Refer to page 1568 for solid state auto switch common specifications.
Note 2) Refer to page 1568 for lead wire lengths.

Weight

(g)

Auto switch model		D-G5NT
Lead wire length	3 m (L)	78
	5 m (Z)	124

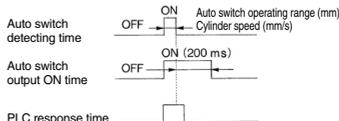
Timer Operation

Detection of intermediate positioning for high-speed cylinder

Detecting point dispersion occurs due to response time of PLC (sequencer); e.g. scanning.

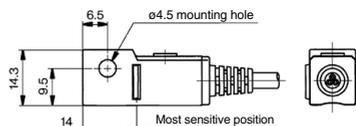
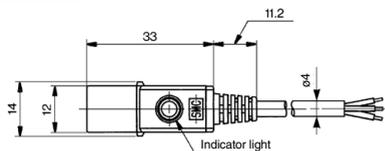
Ex.) Cylinder speed — 1000 mm/sec.
PLC response time — 0.1 sec.
Detecting point dispersion — Within 100 mm (= 1000 mm/sec. x 0.1 sec.)

Take PLC response time into consideration when using.



Dimensions

(mm)



Solid State Auto Switch with Timer Rail Mounting Style D-F7NT



Refer to SMC website for the details of the products conforming to the international standards.

Grommet

- With built-in OFF-delay timer (approx. 200 ms)
- Easy intermediate detection



Auto Switch Specifications

PLC: Programmable Logic Controller

D-F7NT (With indicator light)	
Auto switch model	D-F7NT
Wiring type	3-wire
Output type	NPN
Output operation	Off-delay
Operating time	1 ms or less
Off-delay time	200 ± 50 ms
Applicable load	IC circuit, Relay, PLC
Power supply voltage	5, 12, 24 VDC (4.5 to 28 VDC)
Current consumption	10 mA or less
Load voltage	28 VDC or less
Load current	40 mA or less
Internal voltage drop	1.5 V or less (0.8 V or less at 10 mA)
Leakage current	100 µA or less at 24 VDC
Indicator light	Red LED illuminates when turned ON.
Standard	CE marking, RoHS

Oilproof Heavy-duty Lead Wire Specifications

Auto switch model		D-F7NT
Sheath	Outside diameter [mm]	ø3.4
Insulator	Number of cores	3 cores (Brown/Blue/Black)
	Outside diameter [mm]	ø1.1
Conductor	Effective area [mm ²]	0.2
	Strand diameter [mm]	ø0.08
Minimum bending radius [mm] (Reference values)		21

Note 1) Refer to page 1568 for solid state auto switch common specifications.
Note 2) Refer to page 1568 for lead wire lengths.

Weight

(g)

Auto switch model		D-F7NT
Lead wire length	3 m (L)	57
	5 m (Z)	92

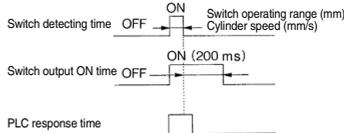
Timer Operation

Detection of intermediate positioning for high-speed cylinder

Detecting point dispersion occurs due to response time of PLC (sequencer); e.g. scanning.

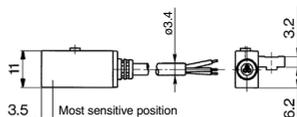
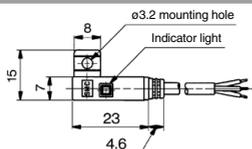
Ex.) Cylinder speed — 1000 mm/sec.
PLC response time — 0.1 sec.
Detecting point dispersion — Within 100 mm (= 1000 mm/sec. x 0.1 sec.)

Take PLC response time into consideration when using.



Dimensions

(mm)



Solid State Auto Switch with Timer Tie-rod Mounting Style D-F5NT



Refer to SMC website for the details of the products conforming to the international standards.

Grommet

- With built-in OFF-delay timer (approx. 200 ms)
- Easy intermediate detection



Auto Switch Specifications

PLC: Programmable Logic Controller

D-F5NT (With indicator light)	
Auto switch model	D-F5NT
Wiring type	3-wire
Output type	NPN
Output operation	Off-delay
Operating time	1 ms or less
Off-delay time	200 ± 50 ms
Applicable load	IC circuit, Relay, PLC
Power supply voltage	5, 12, 24 VDC (4.5 to 28 VDC)
Current consumption	10 mA or less
Load voltage	28 VDC or less
Load current	40 mA or less
Internal voltage drop	1.5 V or less (0.8 V or less at 10 mA)
Leakage current	100 μA or less at 24 VDC
Indicator light	Red LED illuminates when turned ON.
Standard	CE marking, RoHS

Oilproof Heavy-duty Lead Wire Specifications

Auto switch model		D-F5NT
Sheath	Outside diameter [mm]	ø4
	Number of cores	3 cores (Brown/Blue/Black)
Insulator	Outside diameter [mm]	ø1.22
	Effective area [mm ²]	0.3
Conductor	Strand diameter [mm]	ø0.08
	Minimum bending radius [mm] (Reference values)	24

Note 1) Refer to page 1568 for solid state auto switch common specifications.

Note 2) Refer to page 1568 for lead wire lengths.

Timer Operation

Detection of intermediate positioning for high-speed cylinder

Detecting point dispersion occurs due to response time of PLC (sequencer); e.g. scanning.

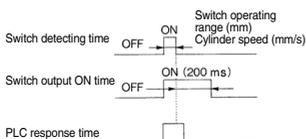
Ex.) Cylinder speed — 1000 mm/sec.

PLC response time — 0.1 sec.

Detecting point dispersion — Within

100 mm (= 1000 mm/sec. x 0.1 sec.)

Take PLC response time into consideration when using.



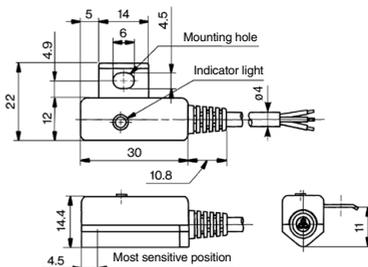
Weight

(g)

Auto switch model		D-F5NT
Lead wire length	3 m (L)	81
	5 m (Z)	127

Dimensions

(mm)



Solid State Auto Switch with Timer Direct Mounting Style D-M5NT/D-M5PT



Refer to SMC website for the details of the products conforming to the international standards.

Grommet

- With built-in OFF-delay timer (approx. 200 ms)
- Easy intermediate detection



Auto Switch Specifications

PLC: Programmable Logic Controller

D-M5□T (With indicator light)		
Auto switch model	D-M5NT	D-M5PT
Wiring type	3-wire	
Output type	NPN	PNP
Output operation	Off-delay	
Operating time	1 ms or less	
Off-delay time	200 ± 50 ms	
Applicable load	IC circuit, Relay, PLC	
Power supply voltage	5, 12, 24 VDC (4.5 to 28 VDC)	
Current consumption	10 mA or less	12 mA or less
Load voltage	28 VDC or less	—
Load current	80 mA or less	
Internal voltage drop	2 V or less (0.8 V or less at 10 mA load current)	0.8 V or less
Leakage current	100 μA or less at 24 VDC	
Indicator light	Red LED illuminates when turned ON.	
Standard	CE marking, RoHS	

Oilproof Heavy-duty Lead Wire Specifications

Auto switch model		D-M5NT	D-M5PT
Sheath	Outside diameter [mm]	ø3.4	
Insulator	Number of cores	3 cores (Brown/Blue/Black)	
	Outside diameter [mm]	ø1.1	
Conductor	Effective area [mm ²]	0.2	
	Strand diameter [mm]	ø0.08	
	Minimum bending radius [mm] (Reference values)	21	

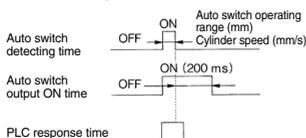
Note 1) Refer to page 1568 for solid state auto switch common specifications.
Note 2) Refer to page 1568 for lead wire lengths.

Timer Operation

Detection of intermediate positioning of high-speed cylinder

Detecting point dispersion occurs due to response time of PLC (sequencer); e.g. scanning.

Ex.) Cylinder speed — 1000 mm/sec.
PLC response time — 0.1 sec.
Detecting point dispersion — Within 100 mm (= 1000 mm/sec. x 0.1 sec.)
Take PLC response time into consideration when using.



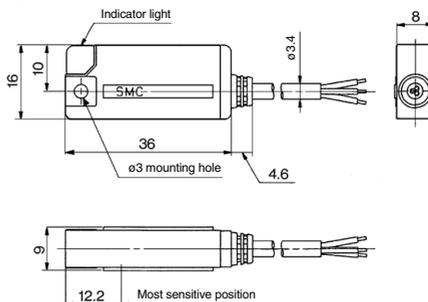
Weight

(g)

Auto switch model		D-M5NT	D-M5PT
Lead wire length	3 m (L)	60	
	5 m (Z)	95	

Dimensions

(mm)



Magnetic Field Resistant 2-Color Indication Type Solid State Auto Switch

D-P3DWSC/D-P3DWSE

(Electrical Entry: Pre-wired connector)



- It is possible to use in an environment which generates a magnetic field disturbance (AC magnetic field).
- The proper operating range can be determined by the color of the light.
(Red → Green ← Red)



⚠ Caution

Precautions

For single-phase AC welding machines. If it is used for current inverter welders (including rectifying type) and condenser type welders, the magnetic field resistance is reduced. Please contact SMC regarding the performance.

Magnetic Field Resistance

If the current of the AC welding machine is 16000 A or lower, the auto switch can be used, even if the distance between the welding conductor (gun cable) and the cylinder/actuator or auto switch is 0 mm. Please contact SMC when the AC welding current exceeds 16000 A.

Weight

(g)

Auto switch model	D-P3DWSC	D-P3DWSE
Lead wire length (m)	0.3	2.3



Connector pin

Model	Connector pin/Wiring			
	1	2	3	4
D-P3DWSC	—	—	OUT(⊕)	OUT(⊖)
D-P3DWSE	OUT(⊖)	—	—	OUT(⊕)

Auto Switch Specifications

Refer to SMC website for the details of the products conforming to the international standards.

PLC: Programmable Logic Controller

D-P3DWSC/E (With indicator light)		
Auto switch model	D-P3DWSC	D-P3DWSE
Applicable load	24 VDC relay, PLC	
Load voltage	24 VDC	
Load current	6 to 40 mA or less	
Internal voltage drop	5 V or less	
Leakage current	1 mA or less at 24 VDC	
Operating time	40 ms or less	
Indicator light	Operating range Red LED illuminates. Proper operating range Green LED illuminates.	
Standard	CE marking, UL (CSA), RoHS	

Oilproof Heavy-duty Lead Wire Specifications

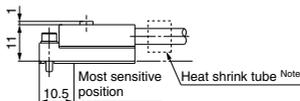
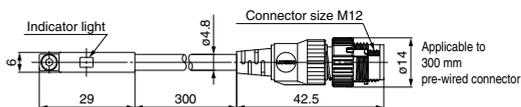
Auto switch model		D-P3DWSC	D-P3DWSE
Sheath	Outside diameter [mm]	ø4.8	
	Number of cores	2 cores	
Insulator	Outside diameter [mm]	ø1.52	
	Effective area [mm ²]	0.5	
Conductor	Strand diameter [mm]	ø0.08	
	Minimum bending radius [mm] (Reference values)	29	

- Impact resistance — Switch: 1000 m/s², Connector: 300 m/s²
- Insulation resistance — 50 MΩ or more (500 VDC measured via megohmmeter) (between lead wire and case)
- Withstand voltage — 1000 VAC for 1 minute (between lead wire and case)
- Ambient temperature — -10 to 60°C
- Enclosure — IEC60529 standard IP67
- Polarity: Non-polar

Dimensions

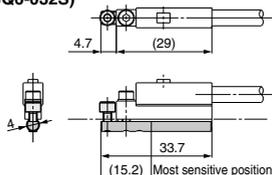
(mm)

Body

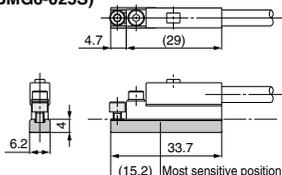


Note) A white color heat shrink tube is attached to the D-P3DWSE type only.

Auto switch mounting bracket (For round groove mounting: BQ6-032S)



Auto switch mounting bracket (For square groove mounting: BMG6-025S)



* When the auto switch is ordered on its own, the auto switch mounting bracket is not enclosed. In that case, please order it separately.

Magnetic Field Resistant 2-Color Indication Type Solid State Auto Switch



D-P3DW

(Electrical Entry: Grommet)

- It is possible to use in an environment which generates a magnetic field disturbance (AC magnetic field).
- The proper operating range can be determined by the color of the light. (Red → Green ← Red)



⚠ Caution

Precautions

For single-phase AC welding machines is 16000 A or lower, the auto switch can be used, even if the distance between the welding conductor (gun cable) and the cylinder/actuator or auto switch is 0 mm. Please contact SMC regarding the performance.

Auto Switch Specifications

Refer to SMC website for the details of the products conforming to the international standards.

PLC: Programmable Logic Controller

D-P3DW (With indicator light)	
Auto switch model	D-P3DW
Applicable load	24 VDC relay, PLC
Load voltage	24 VDC
Load current	6 to 40 mA or less
Internal voltage drop	5 V or less
Leakage current	1 mA or less at 24 VDC
Operating time	40 ms or less
Indicator light	Operating range Red LED illuminates. Proper operating range Green LED illuminates.
Standard	CE marking, UL (CSA), RoHS

Oilproof Heavy-duty Lead Wire Specifications

Auto switch model		D-P3DW
Sheath	Outside diameter [mm]	ø4.8
	Number of cores	2 cores (Brown/Blue)
Insulator	Outside diameter [mm]	ø1.52
	Effective area [mm ²]	0.5
Conductor	Strand diameter [mm]	ø0.08
	Minimum bending radius [mm] (Reference values)	29

- Impact resistance — Switch: 1000 m/s²
- Insulation resistance — 50 MΩ or more (500 VDC measured via megohmmeter) (between lead wire and case)
- Withstand voltage — 1000 VAC for 1 minute (between lead wire and case)
- Ambient temperature — -10 to 60°C
- Enclosure — IEC60529 standard IP67
- Polarity: Non-polar

Magnetic Field Resistance

If the current of the AC welding machine is 16000 A or lower, the auto switch can be used, even if the distance between the welding conductor (gun cable) and the cylinder/actuator or auto switch is 0 mm. Please contact SMC when the AC welding current exceeds 16000 A.

Weight

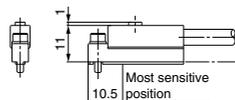
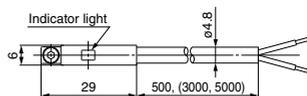
(g)

Auto switch model	D-P3DW	
Lead wire length	0.5 m (NII)	20
	3 m (L)	102
	5 m (Z)	168

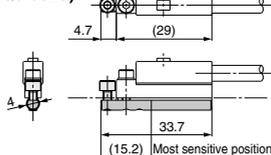
Dimensions

(mm)

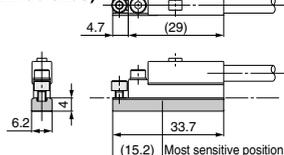
Body



Auto switch mounting bracket (For round groove mounting: BQ6-032S)



Auto switch mounting bracket (For square groove mounting: BMG6-025S)



* When the auto switch is ordered on its own, the auto switch mounting bracket is not enclosed. In that case, please order it separately.

Magnetic Field Resistant 2-Color Indication Type Solid State Auto Switch

D-P3DWASC/D-P3DWASE

(Electrical Entry: Pre-wired connector)

Refer to SMC website for the details of the products conforming to the international standards.

- It is possible to use in an environment which generates a magnetic field disturbance (AC magnetic field).
- The proper operating range can be determined by the color of the light. (Red → Green ← Red)



⚠ Caution

Precautions

For single-phase AC welding machines if it is used for current inverter welders (including rectifying type) and condenser type welders, the magnetic field resistance is reduced. Please contact SMC regarding the performance.

Magnetic Field Resistance

If the current of the AC welding machine is 16000 A or lower, the auto switch can be used, even if the distance between the welding conductor (gun cable) and the cylinder/actuator or auto switch is 0 mm.

Please contact SMC when the AC welding current exceeds 16000 A.

Weight

(g)

Auto switch model	D-P3DWASC	D-P3DWASE
Lead wire length (m)	0.3	25



Connector pin

Model	Connector pin and wiring			
	1	2	3	4
D-P3DWASC	—	—	OUT(±)	OUT(±)
D-P3DWASE	OUT(±)	—	—	OUT(±)

Auto Switch Specifications

PLC: Programmable Logic Controller

D-P3DWASC/E (With indicator light)		
Auto switch model	D-P3DWASC	D-P3DWASE
Applicable load	24 VDC relay, PLC	
Load voltage	24 VDC	
Load current	6 to 40 mA	
Internal voltage drop	5 V or less	
Leakage current	1 mA or less at 24 VDC	
Operating time	40 ms or less	
Indicator light	Operating range Red LED illuminates. Proper operating range Green LED illuminates.	
Standard	CE marking, UL (CSA), RoHS	

Oilproof Heavy-duty Cord Specifications

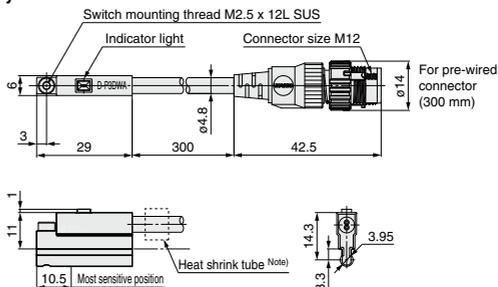
Auto switch models		D-P3DWASC	D-P3DWASE
Sheath	Outside diameter (mm)	ø4.8	
Insulator	Number of cores	2 cores	
	Outside diameter (mm)	ø1.52	
Conductor	Effective area [mm ²]	0.5	
	Strand diameter (mm)	ø0.08	
Minimum bending radius (mm) (Reference values)		29	

- Impact resistance — Switch: 1000 m/s², Connector: 300 m/s²
- Insulation resistance — 50 MΩ or more at 500 VDC Mega (between lead wire and case)
- Withstand voltage — 1000 VAC for 1 minute (between lead wire and case)
- Ambient temperature — -10 to 60°C
- Enclosure — IEC60529 standard IP67
- Polarity: Non-polar

Dimensions

(mm)

Body



Note) A white color heat shrink tube is attached to the D-P3DWASE type only.

Magnetic Field Resistant 2-Color Indication Type Solid State Auto Switch

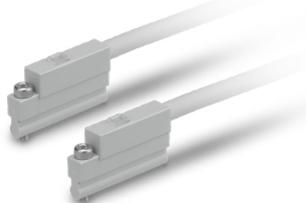
D-P3DWA

(Electrical Entry: Grommet)



Refer to SMC website for the details of the products conforming to the international standards.

- It is possible to use in an environment which generates a magnetic field disturbance (AC magnetic field).
- The proper operating range can be determined by the color of the light. (Red → Green ← Red)



Caution

Precautions

For single-phase AC welding machines If it is used for current inverter welders (including rectifying type) and condenser type welders, the magnetic field resistance is reduced. Please contact SMC regarding the performance.

Auto Switch Specifications

PLC: Programmable Logic Controller

D-P3DWA (With indicator light)	
Auto switch model	D-P3DWA
Applicable load	24 VDC relay, PLC
Load voltage	24 VDC
Load current	6 to 40 mA
Internal voltage drop	5 V or less
Leakage current	1 mA or less at 24 VDC
Operating time	40 ms or less
Indicator light	Operating range Red LED illuminates. Proper operating range Green LED illuminates.
Standard	CE marking, UL (CSA), RoHS

Oilproof Heavy-duty Cord Specifications

Auto switch models		D-P3DWA
Sheath	Outside diameter [mm]	ø4.8
	Number of cores	2 cores (Brown/Blue)
Insulator	Outside diameter [mm]	ø1.52
	Effective area [mm ²]	0.5
Conductor	Strand diameter [mm]	ø0.08
	Minimum bending radius [mm] (Reference values)	29

- Impact resistance — Switch: 1000 m/s²
- Insulation resistance — 50 MΩ or more at 500 VDC Mega (between lead wire and case)
- Withstand voltage — 1000 VAC for 1 minute (between lead wire and case)
- Ambient temperature — -10 to 60°C
- Enclosure — IEC60529 standard IP67
- Polarity: Non-polar

Magnetic Field Resistance

If the current of the AC welding machine is 16000 A or lower, the auto switch can be used, even if the distance between the welding conductor (gun cable) and the cylinder/actuator or auto switch is 0 mm. Please contact SMC when the AC welding current exceeds 16000 A.

Weight

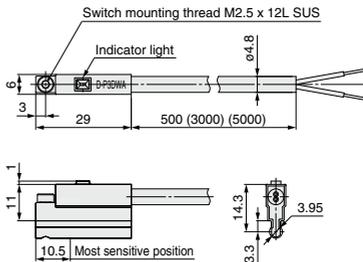
(g)

Auto switch model	D-P3DWA	
Lead wire length	0.5 m (NII)	22
	3 m (L)	104
	5 m (Z)	170

Dimensions

(mm)

Body



Magnetic Field Resistant 2-Color Indication Type Solid State Auto Switch

D-P4DWSC/D-P4DWSE

(Electrical Entry: Pre-wired connector)



Refer to SMC website for the details of the products conforming to the international standards.

Grommet

- It is possible to use in an environment which generates a magnetic field disturbance (AC magnetic field).
- The proper operating range can be determined by the color of the light. (Red → Green ← Red)



Caution

Precautions

For single-phase AC welding machines.
Not applicable for DC inverter welding machines (including rectifying type) and/or condenser type welding.



Connector pin

Model	Connector pin/Wiring			
	1	2	3	4
D-P4DWSC	—	—	OUT(⊕)	OUT(±)
D-P4DWSE	OUT(±)	—	—	OUT(⊕)

Auto Switch Specifications

PLC: Programmable Logic Controller

D-P4DWS□ (With indicator light)		
Auto switch model	D-P4DWSC	D-P4DWSE
Applicable load	24 VDC relay, PLC	
Load voltage	24 VDC (20 to 28 VDC)	
Load current	6 to 40 mA or less	
Internal voltage drop	5 V or less	
Leakage current	1 mA or less at 24 VDC	
Operating time	40 ms or less	
Indicator light	Operating range Red LED illuminates. Proper operating range Green LED illuminates.	
Standard	CE marking, RoHS	

Oilproof Heavy-duty Lead Wire Specifications

Auto switch model		D-P4DWSC	D-P4DWSE
Sheath	Outside diameter [mm]	ø6	
	Number of cores	2 cores	
Insulator	Outside diameter [mm]	ø2.3	
	Effective area [mm ²]	0.5	
Conductor	Strand diameter [mm]	ø0.08	
	Minimum bending radius [mm] (Reference values)	48	

- Impact resistance — Switch: 1000 m/s², Connector: 300 m/s²
- Note 1) Refer to page 1568 for solid state auto switch common specifications.
- Note 2) Refer to page 1568 for lead wire lengths.

Magnetic Field Resistance

If the current of the AC welding machine is 16000 A or lower, the auto switch can be used, even if the distance between the welding conductor (gun cable) and the cylinder or switch is 0 mm. Please contact SMC when the AC welding current exceeds 16000 A.

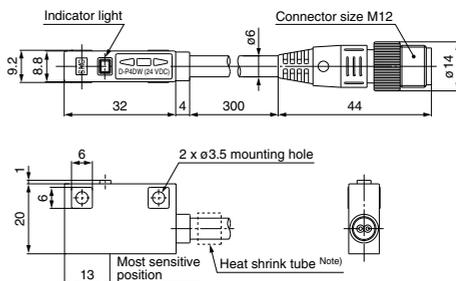
Weight

(g)

Auto switch model	D-P4DWSC	D-P4DWSE
	35	

Dimensions

(mm)



Note) Only for D-P4DWSE
Printed contents: SE 1-4

Magnetic Field Resistant 2-Color Indication Type Solid State Auto Switch

D-P4DW



Refer to SMC website for the details of the products conforming to the international standards.

Grommet

- It is possible to use in an environment which generates a magnetic field disturbance (AC magnetic field).
- The proper operating range can be determined by the color of the light. (Red → Green ← Red)



Caution

Precautions

For single-phase AC welding machines.
Not applicable for DC inverter welding machines (including rectifying type) and/or condenser type welding.

Auto Switch Specifications

PLC: Programmable Logic Controller

D-P4DW (With indicator light)	
Auto switch model	D-P4DW
Applicable load	24 VDC relay, PLC
Load voltage	24 VDC (20 to 28 VDC)
Load current	6 to 40 mA or less
Internal voltage drop	5 V or less
Leakage current	1 mA or less at 24 VDC
Operating time	40 ms or less
Indicator light	Operating range Red LED illuminates. Proper operating range Green LED illuminates.
Standard	CE marking, RoHS

Oilproof Heavy-duty Lead Wire Specifications

Auto switch model		D-P4DW
Sheath	Outside diameter [mm]	ø6
	Number of cores	2 cores (Brown/Blue)
Insulator	Outside diameter [mm]	ø1.92
	Effective area [mm ²]	0.5
Conductor	Strand diameter [mm]	ø0.08
	Minimum bending radius [mm] (Reference values)	36

Note 1) Refer to page 1568 for solid state auto switch common specifications.

Note 2) Refer to page 1568 for lead wire lengths.

Magnetic Field Resistance

If the current of the AC welding machine is 16000 A or lower, the auto switch can be used, even if the distance between the welding conductor (gun cable) and the cylinder or switch is 0 mm. Please contact SMC when the AC welding current exceeds 16000 A.

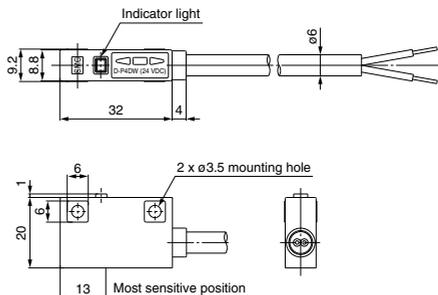
Weight

(g)

Auto switch model		D-P4DW
Lead wire length	3 m (L)	150
	5 m (Z)	244

Dimensions

(mm)



Heat Resistant 2-Color Indication Type Solid State Auto Switch: Direct Mounting Style D-M9NJ/D-M9PJ



Refer to SMC website for the details of the products conforming to the international standards.

Grommet

- Improved heat resistant type
- The proper operating range can be determined by the color of the light.
(Red → Green ← Red)



D-M9NJ



D-M9PJ

⚠ Caution

Precautions

This auto switch can be mounted on the cylinder with heat resistant auto switch (-XB14) and is not applicable to the heat resistant cylinder (-XB6) since a magnet is not built in it.

Do not disconnect the cable between the sensor and amplifier by the customer.

Even when the sensor and amplifier are connected again, a contact resistance is produced, causing the auto switch to malfunction. Additionally, the sensor and amplifier are paired and they do not operate correctly in different combinations.

Auto Switch Specifications

PLC: Programmable Logic Controller

D-M9NJ/D-M9PJ (With indicator light)		
Auto switch model	D-M9NJ	D-M9PJ
Output type	NPN	PNP
Power supply voltage	5, 12, 24 VDC (4.5 to 28 VDC)	
Current consumption	25 mA or less	
Load voltage	28 VDC or less	—
Load current	40 mA or less	
Internal voltage drop	0.8 V or less	
Leakage current	100 μ A at 24 VDC	
Indicator light	Operating range Red LED illuminates. Proper operating range Green LED illuminates.	
Ambient temperature	Sensor section: 0 to 150°C Amplifier section: 0 to 60°C	
Impact resistance	Sensor section: 1000 m/s ² Amplifier section: 300 m/s ²	
Standard	CE marking, RoHS	

Oilproof Heavy-duty Lead Wire Specifications (Grommet)

Auto switch model		D-M9NJ	D-M9PJ
Sheath	Outside diameter [mm]	ϕ 3.4	
	Number of cores	3 cores (Brown/Blue/Black)	
Insulator	Outside diameter [mm]	ϕ 1.1	
	Effective area [mm ²]	0.2	
Conductor	Strand diameter [mm]	ϕ 0.08	
	Minimum bending radius [mm] (Reference values)	21	

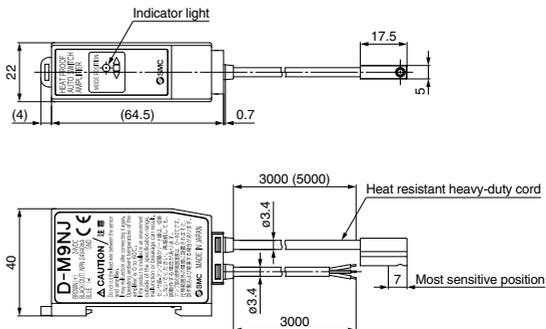
Weight

(g)

Auto switch model		D-M9NJ	D-M9PJ
Lead wire length	3 m (L)	160	
	5 m (Z)	200	

Dimensions

(mm)



Heat Resistant 2-Color Indication Type Solid State Auto Switch: Rail Mounting Style D-F7NJ



Refer to SMC website for the details of the products conforming to the international standards.

Grommet

- Improved heat resistant type
- The proper operating range can be determined by the color of the light.
(Red → Green ← Red)



Caution

Precautions

Auto switch which can be mounted on heat resistant, compact cylinder, CDQ2-XB14. For using for other cylinders, please confirm SMC.

D-F7NJ is not applicable for the heat resistant type (-XB6) since a magnet is not built in it.

Auto Switch Specifications

PLC: Programmable Logic Controller

D-F7NJ (With indicator light)	
Auto switch model	D-F7NJ
Wiring type	3-wire
Output type	NPN
Applicable load	Relay, PLC
Power supply voltage	24 VDC (20 to 26 VDC)
Current consumption	25 mA or less
Load voltage	28 VDC or less
Load current	40 mA or less
Internal voltage drop	0.8 V or less
Leakage current	100 μ A at 24 VDC
Indicator light	Operating range Red LED illuminates. Proper operating range Green LED illuminates.
Ambient temperature	Sensor section: 0 to 150°C Amplifier section: 0 to 60°C
Impact resistance	Sensor section: 1000 m/s ² Amplifier section: 300 m/s ²
Standard	CE marking, RoHS

Oilproof Heavy-duty Lead Wire Specifications (Grommet)

Auto switch model		D-F7NJ
Sheath	Outside diameter [mm]	ϕ 3.4
	Number of cores	3 cores (Brown/Blue/Black)
Insulator	Outside diameter [mm]	ϕ 1.1
	Effective area [mm ²]	0.2
Conductor	Strand diameter [mm]	ϕ 0.08
	Minimum bending radius [mm] (Reference values)	21

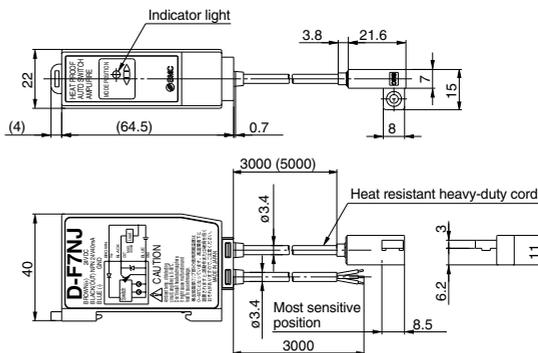
Weight

(g)

Auto switch model		D-F7NJ
Lead wire length	3 m (L)	170
	5 m (Z)	210

Dimensions

(mm)



Wide Range Detection Type Solid State Auto Switch: Band Mounting Style D-G5NB



Refer to SMC website for the details of the products conforming to the international standards.

Grommet

- Wide range detection type
- Easy intermediate detection



Caution

Precautions

The operating range is common for all cylinder series, but it may vary depending on bore sizes.

Weight

(g)

Auto switch model	D-G5NB	
Lead wire length	3 m (L)	79
	5 m (Z)	125

Auto Switch Specifications

PLC: Programmable Logic Controller

D-G5NB (With indicator light)	
Auto switch model	D-G5NB
Wiring type	3-wire
Output type	NPN
Applicable load	Relay, PLC
Power supply voltage	12, 24 VDC (10 to 28 VDC)
Current consumption	12 mA or less
Load voltage	10 to 28 VDC or less
Load current	40 mA or less
Internal voltage drop	0.4 V or less
Leakage current	100 μ A at 24 VDC
Indicator light	Red LED illuminates when turned ON.
Standard	CE marking, RoHS

Oilproof Heavy-duty Lead Wire Specifications

Auto switch model		D-G5NB
Sheath	Outside diameter (mm)	ϕ 4
Insulator	Number of cores	3 cores (Brown/Blue/Black)
	Outside diameter (mm)	ϕ 1.22
Conductor	Effective area (mm ²)	0.3
	Strand diameter (mm)	ϕ 0.08
Minimum bending radius (mm) (Reference values)		24

Note 1) Refer to page 1568 for solid state auto switch common specifications.

Note 2) Refer to page 1568 for lead wire lengths.

Applicable Cylinders

Cylinder series	Bore size (mm)
CDM2-Z, CDM2, CDBM2, CDVM3, CDVM5, CDLM2, CDLG1, MLCG	20, 25, 32, 40
CDG1-Z, CDG1	20, 25, 32, 40, 50, 63, 80, 100
CDA2-Z, CDA2, CDBA2, CDV3, CDVS1, CDL1	40, 50, 63, 80, 100
MGC, MGG	20, 25, 32, 40, 50

Operating Range

Cylinder series	Bore size (mm)							
	20	25	32	40	50	63	80	100
Mountable models	35	40	40	45	45	45	45	50

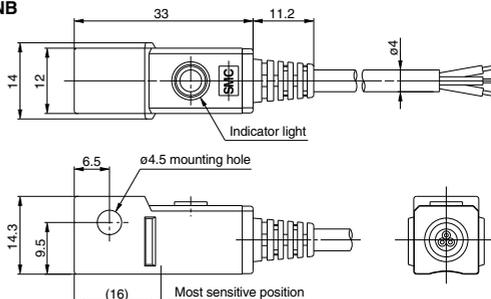
Note) The operating range above indicates average values at room temperature including hysteresis (assuming approximately \pm 30% dispersion).

* Refer to page 500 for CDA2-Z, page 557 for CDA2 and CDBA2.

Dimensions

(mm)

D-G5NB



Made to Order Specifications: Solid State Auto Switch



Refer to SMC website for the details of the products conforming to the international standards.

1 With Pre-wired Connector

- Eliminates the harnessing work by cable with connector specifications
- Adopts global standardized connector (IEC947-5-2)
- IP67 construction



How to Order

D-M9N S A PC

Solid state auto switch
Standard part no.

* For the applicable auto switch model, refer to the table below.

Cable length

S	0.5 m
M	1.0 m
L	3.0 m

Note) L is available for the D-P4DW type only.

Connector model

A	M8-3 pin
B	M8-4 pin
D	M12-4 pin

Note) Type D is available for the D-P4DW type only.

Connector Specifications

Connector model	M8-3 pin	M8-4 pin	M12-4 pin
Pin arrangement			

Applicable Auto Switch

Mounting	Function	Electrical entry	Applicable model	Lead wire length (m)		
				0.5	1.0	3.0
Rail mounting style	—	Grommet (In-line)	F79, F7P, J79	●	●	—
		Grommet (Perpendicular)	F7NV, F7PV, F7BV	●	●	—
	2-color indication	Grommet (In-line)	F79W, F7PW, J79W	●	●	—
		Grommet (Perpendicular)	F7NWW, F7BWW	●	●	—
	With diagnostic output	Grommet (In-line)	F79F	●	●	—
			F7BA	●	●	—
	Water resistant	Grommet (Perpendicular)	F7BAV	●	●	—
F7NT			●	●	—	
With timer		P4DW	●	●	●	
Band mounting style	—	Grommet (In-line)	H7A1, H7A2, H7B	●	●	—
			G59, G5P, K59	●	●	—
	2-color indication	Grommet (In-line)	H7NW, H7PW, H7BW	●	●	—
			G59W, G5PW, K59W	●	●	—
	Diagnostic output	Grommet (In-line)	H7NF, G59F	●	●	—
			H7BA, G5BA	●	●	—
	Water resistant	Grommet (Perpendicular)	G5NT	●	●	—
G5NB			●	●	—	
With timer		F59, F5P, J59	●	●	—	
Tie-rod mounting style	2-color indication	Grommet (In-line)	F59W, F5PW, J59W	●	●	—
			F59F	●	●	—
	Diagnostic output	Grommet (Perpendicular)	F5BA	●	●	—
			F5NT	●	●	—

Mounting	Function	Electrical entry	Applicable model	Lead wire length (m)		
				0.5	1.0	3.0
Direct mounting style	—	Grommet (In-line)	Y59A, Y7P, Y59B	●	●	—
			Grommet (Perpendicular)	Y69A, Y7PV, Y69B	●	●
		Grommet (In-line)	M9N, M9P, M9B	●	●	—
			Grommet (Perpendicular)	M9NV, M9PV, M9BV	●	●
		Grommet (Perpendicular)	F8N, F8P, F8B	●	●	—
	Grommet (In-line)		F6N, F6P, F6B	●	●	—
	Normally closed	Grommet (In-line)	Y7G, Y7H	●	●	—
			F9G, F9H	●	●	—
	2-color indication	Grommet (In-line)	Y7NW, Y7PW, Y7BW	●	●	—
			Grommet (Perpendicular)	Y7NWW, Y7PWW, Y7BWW	●	●
Grommet (In-line)		M9NW, M9PW, M9BW	●	●	—	
		Grommet (Perpendicular)	M9NWW, M9PWW, M9BWW	●	●	—
Water resistant	Grommet (In-line)	Y7BA	●	●	—	
		M9NA, M9PA, M9BA	●	●	—	
		Grommet (Perpendicular)	M9NAV, M9PAV, M9BAV	●	●	—
Rotary actuator	—	Grommet (In-line)	S791/2, S7P1/2, T791/2	●	●	—
			S991/2, S9P1/2, T991/2	●	●	—
		Grommet (Perpendicular)	S99V1/2, T99V1/2	●	●	—

With Pre-wired Connector

Connector Pin Arrangement



M8-3 pin



M8-4 pin



M12-4 pin

Sensor type	Color distinction of lead wire				Meaning of contact number			
	1 pin	2 pin	3 pin	4 pin	1 pin	2 pin	3 pin	4 pin
DC 2-wire type	Brown	—	—	Blue	OUT (+)	—	—	OUT (-)
DC 2-wire, Non-polar type	—	—	Brown	Blue	—	—	OUT (±)	OUT (∓)
DC 3-wire type	Brown	—	Blue	Black	DC (+)	—	DC (-)	OUT
DC 4-wire type	Brown	Orange	Blue	Black	DC (+)	Diagnostic output	DC (-)	OUT

Connector Specifications

Connector model	M8-3 pin	M8-4 pin	M12-4 pin
Pin arrangement			
Conformed standard	JIS C 4524, JIS C 4525, IEC 947-5-2, NECA 0402		
Impact resistance	300 m/s ²		
Enclosure	IP67 (IEC60529 standard)		
Insulation resistance	100 MΩ or more at 500 VDC measured via megohmmeter		
Withstand voltage	1500 VAC 1 minute (between contacts), Leak current 1 mA or less		

Dimensions

Connector model	
M8-3 pin 4 pin	
M12-4 pin	

Weight for Connector Type

Part no.	Connector type	Weight
D-□□□APC	M8-3 pin	4 g
D-□□□BPC	M8-4 pin	4 g
D-□□□DPC	M12-4 pin	About 11 g

Connection (Female side) Connector Cable

As the parts are not supplied from SMC, refer to the application examples listed in the below.
(For detail such as catalog availability, etc., please contact each manufacturer.)

Connector size	Number of pins	Manufacturer	Applicable series example
M8	3	Phoenix Contact	SAC-3P
		Corrence Corporation	M8-3D
		OMRON Corporation	M8-4D
M12	4	OMRON Corporation	XS3
		Phoenix Contact	SAC-4P
		Corrence Corporation	VA-4D
		OMRON Corporation	XS2
		Azbil Corp.	PA5-4I
		Hirose Electric Co., Ltd.	HR24
	DDK Ltd.	CM01-8DP4S	

Made to Order Specifications: Solid State Auto Switch

-50: Without Indicator Light (Dark room) Specifications

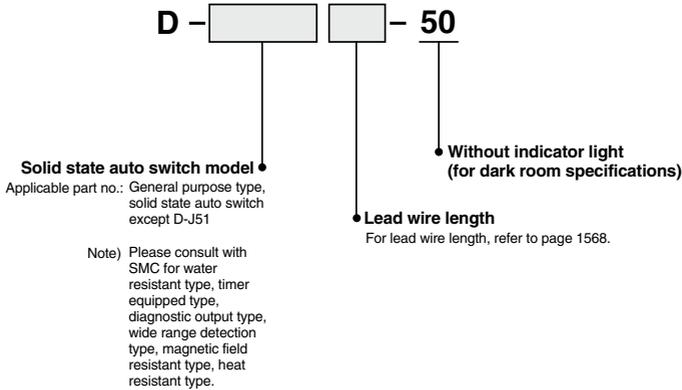
-61: Oilproof Flexible Heavy-duty Cord Specifications

2 Without Indicator Light (for dark room specifications)

Symbol

-50

Possible to use under the environment which hates a light.



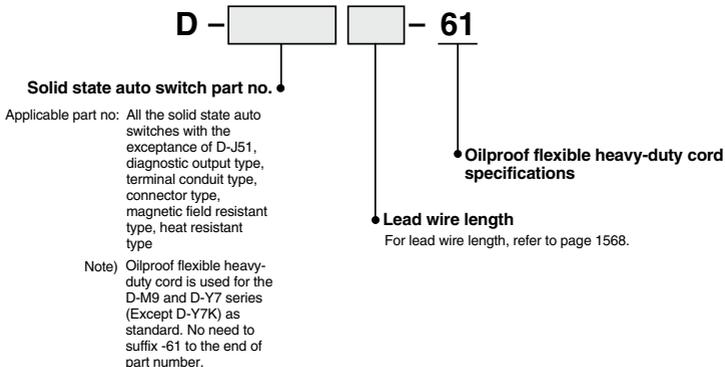
Dimensions and specifications are common as standard products with the exception of no indicator light.

3 Oilproof Flexible Heavy-duty Cord Specifications

Symbol

-61

This is the product which uses a heavy-duty cord having flexible characteristics 5 times (SMC comparison) as strong as oilproof heavy-duty cord used in the standard products.



Specifications are the same as standard products with the exception of lead wire specifications.

Lead wire: For D-F8 type..... ø2.7, 0.15 mm², 3 cores (Brown, Blue, Black), 2 cores (Brown, Blue)
For other model nos..... ø3.4, 0.15 mm², 3 cores (Brown, Blue, Black), 2 cores (Brown, Blue)

Dimensions are identical with D-F5 type, G5 type, J59 type, K59 type. Lead wire diameter is changed from ø4 to ø3.4. In other series products, it is common as standard product's specifications.

Reed Auto Switches

General Purpose Type,
2-Color Indication Type

Reed Switch Variations

Type	Function	Auto switch mounting style	Electrical entry	Auto switch model	Page
Reed Auto Switch	General purpose	Direct	Grommet	D-A90/A93/A96* D-A90V/A93V/A96V*	1630
			Grommet	D-C73/C76/C80 D-B53/B54/B64	1631 1632
		Band	Connector	D-C73C/C80C	1633
			Terminal conduit	D-A33/A34 D-A33A/A34A	1634 1635
			DIN terminal	D-A44 D-A44A	1634 1635
			Grommet	D-A72/A73/A80 D-A72H/A73H/A76H/A80H	1636 1637
			Connector	D-A73C/A80C	1638
		Tie-rod	Grommet	D-A53/A54/A56/A64/A67	1639
			Terminal conduit	D-A33C/A34C D-A44C	1640
		Direct	Grommet	D-Z73/Z76/Z80** D-E73A/E76A/E80A	1641 1642
				Band	D-B59W
		2-color indication	Rail	D-A79W	1644
			Tie-rod	D-A59W	1645
			Rod	D-P79WSE D-P74	1646 1647
		Heat resistant	Band	Terminal conduit	D-B30/31/35
	Grommet			D-B30J/31J/35J	

* Auto switches with an asterisk (*) can be mounted on a band (excluding D-A9□V), rail, tie-rod or square groove with an auto switch mounting bracket. Refer to pages 1654, 1658, 1662, 1668 and 1669 for details.

** This auto switch can be mounted by tie-rod with using auto switch mounting bracket. For details, refer to page 1665.

Reed Auto Switch Direct Mounting Style

D-A90(V)/D-A93(V)/D-A96(V) (C) (E)

Refer to SMC website for the details of the products conforming to the international standards.

Auto Switch Specifications

PLC: Programmable Logic Controller

Grommet



Caution

Precautions

Fix the auto switch with the existing screw installed on the auto switch body. The auto switch may be damaged if a screw other than the one supplied is used.

D-A90, D-A90V (Without indicator light)			
Auto switch model	D-A90, D-A90V		
Applicable load	IC circuit, Relay, PLC		
Load voltage	24 V $\frac{DC}{AC}$ or less	48 V $\frac{DC}{AC}$ or less	100 V $\frac{DC}{AC}$ or less
Maximum load current	50 mA	40 mA	20 mA
Circuit diagram*	(4)		
Contact protection circuit	None		
Internal resistance	1 Ω or less (Including lead wire length of 3 m)		
Standard	CE marking		
D-A93, D-A93V, D-A96, D-A96V (With indicator light)			
Auto switch model	D-A93, D-A93V	D-A96, D-A96V	
Applicable load	Relay, PLC	IC circuit	
Load voltage	24 VDC ⁽⁴⁾	100 VAC	4 to 8 VDC
Load current range and Maximum load current ⁽³⁾	5 to 40 mA	5 to 20 mA	20 mA
Circuit diagram*	(3)		(5)
Contact protection circuit	None		
Internal voltage drop	D-A93: 2.4 V or less (up to 20 mA)/3 V or less (up to 40 mA) D-A93V: 2.7 V or less		0.8 V or less
Indicator light	Red LED illuminates when turned ON.		
Standard	CE marking		

Oilproof Heavy-duty Lead Wire Specifications

Auto switch model	D-A90(V)	D-A93(V)	D-A96(V)
Sheath	Outside diameter [mm]	$\phi 2.7$	
Insulator	Number of cores	2 cores (Brown/Blue)	
	Outside diameter [mm]	$\phi 0.96$	$\phi 0.91$
Conductor	Effective area [mm ²]	0.18	0.15
	Strand diameter [mm]	$\phi 0.08$	
Lead wire minimum bending radius [mm] (Reference values)			
		17	

* Refer to the circuit diagram no. on page 1571.

Note 1) Refer to page 1568 for reed auto switch common specifications.

Note 2) Refer to page 1568 for lead wire lengths.

Note 3) Under 5 mA, the strength of the indicator light is poor. In some cases, visibility of the indicator light will not be possible where the output signal is less than 2.5 mA. However, there is no problem in terms of contact output, when an output signal exceeds 1 mA or more.

Note 4) The auto switches can operate at 12 VDC, but consider the internal voltage drop of the auto switch described in Reed Auto Switch Precautions on page 12.

Weight

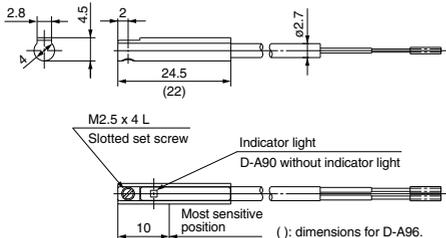
(g)

Model	D-A90	D-A90V	D-A93	D-A93V	D-A96	D-A96V
Lead wire length	0.5 m (NII)	6	6	6	8	8
	1 m (M)	—	—	11	—	—
	3 m (L)	30	30	30	30	41
	5 m (Z)	—	—	47	47	—

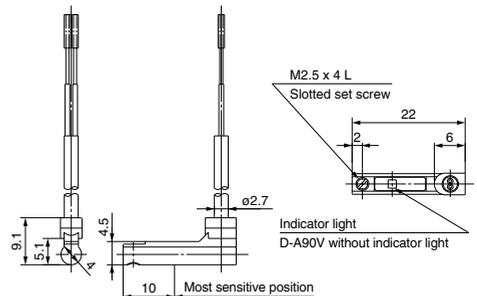
Dimensions

(mm)

D-A90/D-A93/D-A96



D-A90V/D-A93V/D-A96V



Reed Auto Switch Band Mounting Style D-C73/D-C76/D-C80



Refer to SMC website for the details of the products conforming to the international standards.

Grommet



Auto Switch Specifications

PLC: Programmable Logic Controller

D-C7 (With indicator light)			
Auto switch model	D-C73		D-C76
Applicable load	Relay, PLC		IC circuit
Load voltage	24 VDC ⁽⁴⁾	100 VAC	4 to 8 VDC
Max. load current and range ⁽³⁾	5 to 40 mA	5 to 20 mA	20 mA
Circuit diagram*	③		⑤
Contact protection circuit	None		
Internal voltage drop	2.4 V or less		0.8 V or less
Indicator light	Red LED illuminates when turned ON.		
Standard	CE marking		
D-C8 (Without indicator light)			
Auto switch model	D-C80		
Applicable load	Relay, PLC, IC circuit		
Load voltage	24 V $\frac{AC}{50}$ or less	48 V $\frac{AC}{50}$	100 V $\frac{AC}{50}$
Max. load current	50 mA	40 mA	20 mA
Circuit diagram*	④		
Contact protection circuit	None		
Internal resistance	1 Ω or less (Including lead wire length of 3 m)		
Standard	CE marking		

Oilproof Heavy-duty Lead Wire Specifications

Auto switch model		D-C73	D-C76	D-C80
Sheath	Outside diameter (mm)	$\phi 3.4$		
Insulator	Number of cores	2 cores (Brown/Blue)	3 cores (Brown/Blue/Black)	2 cores (Brown/Blue)
	Outside diameter (mm)	$\phi 1.1$		
Conductor	Effective area (mm ²)	0.2		
	Strand diameter (mm)	$\phi 0.08$		
Lead wire minimum bending radius (mm) (Reference values)		21		

* Refer to the circuit diagram no. on page 1571.

Note 1) Refer to page 1568 for reed auto switch common specifications.

Note 2) Refer to page 1568 for lead wire lengths.

Note 3) Under 5 mA, the strength of the indicator light is poor. In some cases, visibility of the indicator light will not be possible where the output signal is less than 2.5 mA. However, there is no problem in terms of contact output, when an output signal exceeds 1 mA or more.

Note 4) The auto switches can operate at 12 VDC, but consider the internal voltage drop of the auto switch described in Reed Auto Switch Precautions on page 12.

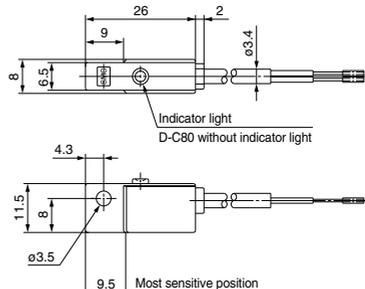
Weight

(g)

Auto switch model		D-C73	D-C76	D-C80
Lead wire length	0.5 m (Nil)	9	10	9
	3 m (L)	46	50	46
	5 m (Z)	76	—	—

Dimensions

(mm)



Reed Auto Switch Band Mounting Style D-B53/D-B54/D-B64



Refer to SMC website for the details of the products conforming to the international standards.

Grommet



Auto Switch Specifications

PLC: Programmable Logic Controller

D-B5 (With indicator light)				
Auto switch model	D-B53		D-B54	
Applicable load	PLC		Relay, PLC	
Load voltage	24 VDC ⁽⁴⁾	24 VDC ⁽⁴⁾	100 VAC	200 VAC
Load current range ⁽³⁾	5 to 50 mA	5 to 50 mA	5 to 25 mA	5 to 12.5 mA
Circuit diagram*	③		①	
Contact protection circuit	None		Built-in	
Internal voltage drop	2.4 V or less	2.4 V or less (Up to 20 mA)/3.5 V or less (Up to 50 mA)		
Indicator light	Red LED illuminates when turned ON.			
Standard	CE marking			
D-B6 (Without indicator light)				
Auto switch model	D-B64			
Applicable load	Relay, PLC			
Load voltage	24 V ^{AC} or less	100 VAC	200 VAC	
Max. load current	Max. 50 mA	Max. 25 mA	Max. 12.5 mA	
Circuit diagram*	②			
Contact protection circuit	Built-in			
Internal resistance	25 Ω or less			
Standard	CE marking			

Oilproof Heavy-duty Lead Wire Specifications

Auto switch model		D-B53/B54/B64	
Sheath	Outside diameter (mm)	ø4	
	Number of cores	2 cores (Brown/Blue)	
Insulator	Outside diameter (mm)	ø1.22	
	Effective area (mm ²)	0.3	
Conductor	Strand diameter (mm)	ø0.08	
	Lead wire minimum bending radius (mm) (Reference values)	24	

* Refer to the circuit diagram no. on page 1571.

Note 1) Refer to page 1568 for reed auto switch common specifications.

Note 2) Refer to page 1568 for lead wire lengths.

Note 3) Under 5 mA, the strength of the indicator light is poor. In some cases, visibility of the indicator light will not be possible where the output signal is less than 2.5 mA. However, there is no problem in terms of contact output, when an output signal exceeds 1 mA or more.

Note 4) The auto switches can operate at 12 VDC, but consider the internal voltage drop of the auto switch described in Reed Auto Switch Precautions on page 12.

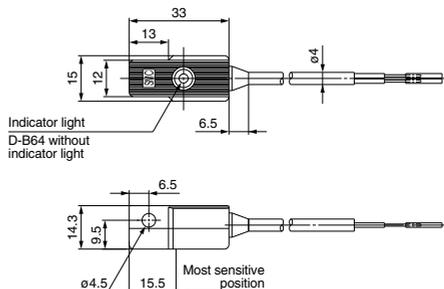
Weight

(g)

Auto switch model		D-B53	D-B54	D-B64
Lead wire length	0.5 m (Nil)	22	22	22
	3 m (L)	78	78	78
	5 m (Z)	126	126	—

Dimensions

(mm)



Reed Auto Switch Band Mounting Style D-C73C/D-C80C



Refer to SMC website for the details of the products conforming to the international standards.

Connector



Caution

Precautions

1. Confirm that the connector is appropriately tightened. If tightened insufficiently, the waterproof performance will deteriorate.
2. For details, refer to page 1653.

Auto Switch Specifications

PLC: Programmable Logic Controller

D-C73C (With indicator light)	
Auto switch model	D-C73C
Applicable load	Relay, PLC
Load voltage	24 VDC ⁽⁵⁾
Load current range ⁽⁴⁾	5 to 40 mA
Circuit diagram*	③
Contact protection circuit	None
Internal voltage drop	2.4 V or less
Indicator light	Red LED illuminates when turned ON.
Standard	CE marking
D-C80C (Without indicator light)	
Auto switch model	D-C80C
Applicable load	Relay, PLC
Load voltage	24 V _{DC} ^{AC} or less
Maximum load current	50 mA
Circuit diagram*	④
Contact protection circuit	None
Internal resistance	1 Ω or less (Including lead wire length of 3 m)
Standard	CE marking

* Refer to the circuit diagram no. on page 1571.

Note 1) Refer to page 1568 for reed auto switch common specifications.

Note 2) Refer to page 1568 for lead wire lengths.

Note 3) Lead wire with connector may be shipped with switch.

Note 4) Under 5 mA, the strength of the indicator light is poor. In some cases, visibility of the indicator light will not be possible where the output signal is less than 2.5 mA. However, there is no problem in terms of contact output, when an output signal exceeds 1 mA or more.

Note 5) The auto switches can operate at 12 VDC, but consider the internal voltage drop of the auto switch described in Reed Auto Switch Precautions on page 12.

Weight

(g)

Auto switch model	D-C73C	D-C80C
Lead wire length		
0.5 m (NII)	14	14
3 m (L)	53	53
5 m (Z)	83	83

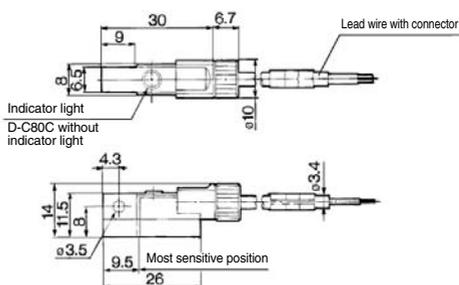
Lead wires with a connector indication

Part No. of Lead Wires with Connectors
(Applicable only for connector type)

Model	Lead wire length
D-LC05	0.5 m
D-LC30	3 m
D-LC50	5 m

Dimensions

(mm)



Reed Auto Switch Band Mounting Style D-A33/D-A34/D-A44



Refer to SMC website for the details of the products conforming to the international standards.

**Terminal conduit: D-A3
DIN terminal: D-A4**



⚠ Caution

Precautions

1. Use cable whose O.D. is within the size in the figure to maintain water resistant performance.
2. After wiring, confirm that tightening gland and all screws are tightened.

Auto Switch Specifications

PLC: Programmable Logic Controller

D-A3 (With indicator light) Terminal conduit				
Auto switch model	D-A33	D-A34		
Applicable load	PLC	Relay, PLC		
Load voltage	24 VDC ⁽³⁾	24 VDC ⁽³⁾	100 VAC	200 VAC
Load current range ⁽²⁾	5 to 50 mA	5 to 50 mA	5 to 25 mA	5 to 12.5 mA
Circuit diagram*	③	①		
Contact protection circuit	None	Built-in		
Internal voltage drop	2.4 V or less	2.4 V or less (Up to 20 mA)/3.5 V or less (Up to 50 mA)		
Indicator light	Red LED illuminates when turned ON.			
Standard	CE marking			
D-A44 (With indicator light) DIN terminal				
Auto switch model	D-A44			
Applicable load	Relay, PLC			
Load voltage	24 VDC ⁽³⁾	100 VAC	200 VAC	
Load current range	5 to 50 mA	5 to 25 mA	5 to 12.5 mA	
Circuit diagram*	①			
Contact protection circuit	Built-in			
Internal voltage drop	2.4 V or less (Up to 20 mA)/3.5 V or less (Up to 50 mA)			
Indicator light	Red LED illuminates when turned ON.			
Standard	CE marking			

* Refer to the circuit diagram no. on page 1571.

Note 1) Refer to page 1568 for reed auto switch common specifications.

Note 2) Under 5 mA, the strength of the indicator light is poor. In some cases, visibility of the indicator light will not be possible where the output signal is less than 2.5 mA. However, there is no problem in terms of contact output, when an output signal exceeds 1 mA or more.

Note 3) The auto switches can operate at 12 VDC, but consider the internal voltage drop of the auto switch described in Reed Auto Switch Precautions on page 12.

Weight

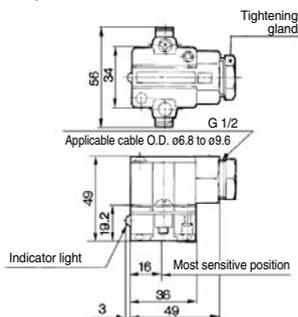
(g)

Auto switch model		D-A33	D-A34	D-A44
Lead wire	None	116	116	114

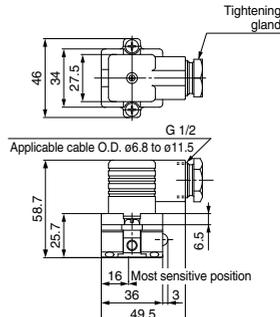
Dimensions

(mm)

D-A3



D-A44



Reed Auto Switch Band Mounting Style D-A33A/D-A34A/D-A44A



Refer to SMC website for the details of the products conforming to the international standards.

Auto Switch Specifications

PLC: Programmable Logic Controller

Terminal conduit: D-A3□A
DIN terminal: D-A44A



Caution

Precautions

1. Use cable whose O.D. is within the size in the figure to maintain water resistant performance.
2. After wiring, confirm that tightening gland and all screws are tightened.

D-A3□A (With indicator light) Terminal conduit				
Auto switch model	D-A33A	D-A34A		
Applicable load	PLC	Relay, PLC		
Load voltage	24 VDC ⁽³⁾	24 VDC ⁽³⁾	100 VAC	200 VAC
Load current range ⁽²⁾	5 to 50 mA	5 to 50 mA	5 to 25 mA	5 to 12.5 mA
Circuit diagram*	③	①		
Contact protection circuit	None	Built-in		
Internal voltage drop	2.4 V or less	2.4 V or less (Up to 20 mA)/3.5 V or less (Up to 50 mA)		
Indicator light	Red LED illuminates when turned ON.			
Standard	CE marking			
D-A44A (With indicator light) DIN terminal				
Auto switch part model	D-A44A			
Applicable load	Relay, PLC			
Load voltage	24 VDC ⁽³⁾	100 VAC	200 VAC	
Load current range	5 to 50 mA	5 to 25 mA	5 to 12.5 mA	
Circuit diagram*	①			
Contact protection circuit	Built-in			
Internal voltage drop	2.4 V or less (Up to 20 mA)/3.5 V or less (Up to 50 mA)			
Indicator light	Red LED illuminates when turned ON.			
Standard	CE marking			

* Refer to the circuit diagram no. on page 1571.

Note 1) Refer to page 1568 for reed auto switch common specifications.

Note 2) Under 5 mA, the strength of the indicator light is poor. In some cases, visibility of the indicator light will not be possible where the output signal is less than 2.5 mA. However, there is no problem in terms of contact output, when an output signal exceeds 1 mA or more.

Note 3) The auto switches can operate at 12 VDC, but consider the internal voltage drop of the auto switch described in Reed Auto Switch Precautions on page 12.

Weight

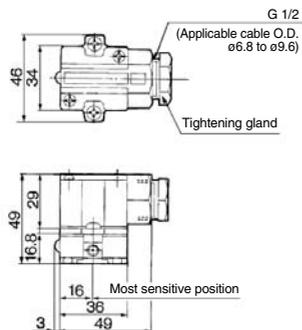
(g)

Auto switch model		D-A33A	D-A34A	D-A44A
Lead wire	None	112	112	110

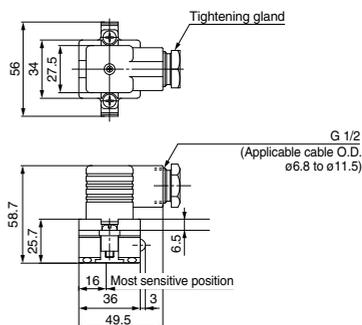
Dimensions

(mm)

D-A3□A



D-A44



Reed Auto Switch Rail Mounting Style D-A72/D-A73/D-A80



Refer to SMC website for the details of the products conforming to the international standards.

**Grommet
Electrical entry: Perpendicular**



PLC: Programmable Logic Controller

Auto Switch Specifications

D-A7 (With indicator light)			
Auto switch model	D-A72	D-A73	
Applicable load	Relay, PLC	Relay, PLC	
Load voltage	200 VAC	24 VDC ⁽⁴⁾	100 VAC
Load current range⁽³⁾	5 to 10 mA	5 to 40 mA	5 to 20 mA
Circuit diagram[*]	③		
Contact protection circuit	None		
Internal voltage drop	2.4 V or less		
Indicator light	Red LED illuminates when turned ON.		
Standard	CE marking		
D-A8 (Without indicator light)			
Auto switch model	D-A80		
Applicable load	Relay, IC circuit, PLC		
Load voltage	24 V ^{AC} or less	48 V ^{DC}	100 V ^{AC}
Maximum load current	50 mA	40 mA	20 mA
Circuit diagram[*]	④		
Contact protection circuit	None		
Internal resistance	1 Ω or less (Including lead wire length of 3 m)		
Standard	CE marking		

Oilproof Heavy-duty Lead Wire Specifications

Auto switch model		D-A72	D-A73	D-A80
Sheath	Outside diameter [mm]	ø3.4		
	Number of cores	2 cores (Brown/Blue)		
Insulator	Outside diameter [mm]	ø1.1		
	Effective area [mm ²]	0.2		
Conductor	Strand diameter [mm]	ø0.08		
	Lead wire minimum bending radius [mm] (Reference values)	21		

* Refer to the circuit diagram no. on page 1571.

Note 1) Refer to page 1568 for reed auto switch common specifications.

Note 2) Refer to page 1568 for lead wire lengths.

Note 3) Under 5 mA, the strength of the indicator light is poor. In some cases, visibility of the indicator light will not be possible where the output signal is less than 2.5 mA. However, there is no problem in terms of contact output, when an output signal exceeds 1 mA or more.

Note 4) The auto switches can operate at 12 VDC, but consider the internal voltage drop of the auto switch described in Reed Auto Switch Precautions on page 12.

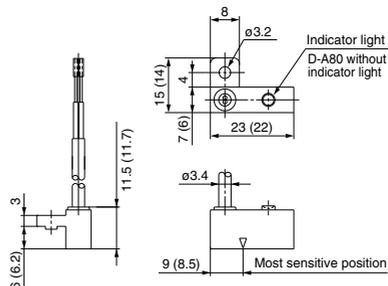
Weight

(g)

Auto switch model		D-A72	D-A73	D-A80
Lead wire length	0.5 m (NI)	10	10	10
	3 m (L)	47	47	47
	5 m (Z)	—	77	—

Dimensions

(mm)



() values for D-A72

Reed Auto Switch Rail Mounting Style D-A7□H/D-A80H



**Grommet
Electrical entry: In-line**



Refer to SMC website for the details of the products conforming to the international standards.

Auto Switch Specifications

PLC: Programmable Logic Controller

D-A7□H (With indicator light)			
Auto switch model	D-A72H	D-A73H	D-A76H
Applicable load	Relay, PLC	Relay, PLC	IC circuit
Load voltage	200 VAC	24 VDC ⁽⁴⁾ , 100 VAC	4 to 8 VDC
Max. load current/Load current range ⁽³⁾	5 to 10 mA	5 to 40 mA, 5 to 20 mA	20 mA
Circuit diagram*	③		⑤
Contact protection circuit	None		
Internal voltage drop	2.4 V or less		0.8 V or less
Indicator light	Red LED illuminates when turned ON.		
Standard	CE marking		
D-A80H (Without indicator light)			
Auto switch model	D-A80H		
Applicable load	Relay, IC circuit, PLC		
Load voltage	24 V ^{AC} _{DC} or less	48 V ^{AC} _{DC}	100 V ^{AC} _{DC}
Maximum load current	50 mA	40 mA	20mA
Circuit diagram*	④		
Contact protection circuit	None		
Internal resistance	1 Ω or less (Including lead wire length of 3 m)		
Standard	CE marking		

Oilproof Heavy-duty Lead Wire Specifications

Auto switch model		D-A72H/A73H	D-A76H	D-A80H
Sheath	Outside diameter [mm]	ø3.4		
Insulator	Number of cores	2 cores (Brown/Blue)	3 cores (Brown/Blue/Black)	2 cores (Brown/Blue)
	Outside diameter [mm]	ø1.1		
Conductor	Effective area [mm ²]	0.2		
	Strand diameter [mm]	ø0.08		
Lead wire minimum bending radius [mm] (Reference values)		21		

* Refer to the circuit diagram no. on page 1571.

Note 1) Refer to page 1568 for reed auto switch common specifications.

Note 2) Refer to page 1568 for lead wire lengths.

Note 3) Under 5 mA, the strength of the indicator light is poor. In some cases, visibility of the indicator light will not be possible where the output signal is less than 2.5 mA. However, there is no problem in terms of contact output, when an output signal exceeds 1 mA or more.

Note 4) The auto switches can operate at 12 VDC, but consider the internal voltage drop of the auto switch described in Reed Auto Switch Precautions on page 12.

Weight

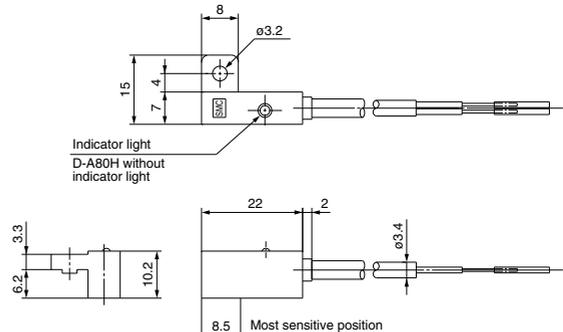
(g)

Auto switch model		D-A72H	D-A73H	D-A76H	D-A80H
Lead wire length	0.5 m (Nil)	10	10	11	10
	3 m (L)	47	47	52	47
	5 m (Z)	—	77	—	—

Dimensions

(mm)

D-A7□H, D-A80H



Reed Auto Switch Rail Mounting Style D-A73C/D-A80C



Refer to SMC website for the details of the products conforming to the international standards.

Connector



Caution

Precautions

1. Confirm that the connector is appropriately tightened. If tightened insufficiently, the waterproof performance will deteriorate.
2. Refer to page 1653 for the details.

Auto Switch Specifications

PLC: Programmable Logic Controller

D-A73C (With indicator light)	
Auto switch model	D-A73C
Applicable load	Relay, PLC
Load voltage	24 VDC ⁽⁵⁾
Load current range ⁽⁴⁾	5 to 40 mA
Circuit diagram ³	③
Contact protection circuit	None
Internal voltage drop	2.4 V or less
Indicator light	Red LED illuminates when turned ON.
Standard	CE marking
D-A80C (Without indicator light)	
Auto switch model	D-A80C
Applicable load	Relay, IC circuit, PLC
Load voltage	24 V ^{AC} _{DC}
Maximum load current	50 mA
Circuit diagram ³	④
Contact protection circuit	None
Internal resistance	1 Ω or less (Including lead wire length of 3 m)
Standard	CE marking

* Refer to the circuit diagram no. on page 1571.

Note 1) Refer to page 1568 for reed auto switch common specifications.

Note 2) Refer to page 1568 for lead wire lengths.

Note 3) Lead wire with connector may be shipped with the auto switch.

Note 4) Under 5 mA, the strength of the indicator light is poor. In some cases, visibility of the indicator light will not be possible where the output signal is less than 2.5 mA. However, there is no problem in terms of contact output, when an output signal exceeds 1 mA or more.

Note 5) The auto switches can operate at 12 VDC, but consider the internal voltage drop of the auto switch described in Reed Auto Switch Precautions on page 12.

Weight

(g)

Auto switch model		D-A73C	D-A80C
Lead wire length	0.5 m (Nil)	12	12
	3 m (L)	54	54
	5 m (Z)	84	84

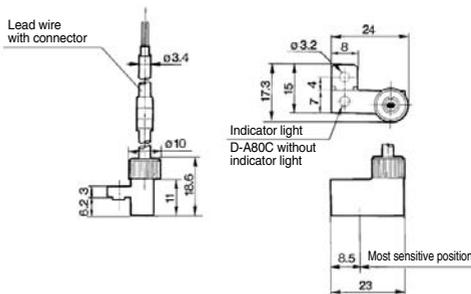
Lead wires with a connector indication

Part No. of Lead Wires with Connectors
(Applicable only for connector type)

Model	Lead wire length
D-LC05	0.5 m
D-LC30	3 m
D-LC50	5 m

Dimensions

(mm)



Reed Auto Switch Tie-rod Mounting Style D-A33C/D-A34C/D-A44C



Refer to SMC website for the details of the products conforming to the international standards.

Auto Switch Specifications

PLC: Programmable Logic Controller

Terminal conduit: D-A3□C
DIN terminal: D-A44C



Caution

Precautions

1. Use cable whose O.D. is within the size in the figure to maintain water resistant performance.
2. After wiring, confirm that tightening gland and all screws are tightened.

D-A3□C (With indicator light) Terminal conduit				
Auto switch model	D-A33C		D-A34C	
Applicable load	PLC		Relay, PLC	
Load voltage	24 VDC ⁽³⁾	24 VDC ⁽³⁾	100 VAC	200 VAC
Load current range ⁽²⁾	5 to 50 mA	5 to 50 mA	5 to 25 mA	5 to 12.5 mA
Circuit diagram [*]	③		①	
Contact protection circuit	None		Built-in	
Internal voltage drop	2.4 V or less	2.4 V or less (Up to 20 mA)	3.5 V or less (Up to 50 mA)	
Indicator light	Red LED illuminates when turned ON.			
Standard	CE marking			
D-A44C (With indicator light) DIN terminal				
Auto switch model	D-A44C			
Applicable load	Relay, PLC			
Load voltage	24 VDC ⁽³⁾	100 VAC		200 VAC
Load current range ⁽²⁾	5 to 50 mA	5 to 25 mA	5 to 12.5 mA	
Circuit diagram [*]	①			
Contact protection circuit	Built-in			
Internal voltage drop	2.4 V or less (Up to 20 mA)/3.5 V or less (Up to 50 mA)			
Indicator light	Red LED illuminates when turned ON.			
Standard	CE marking			

* Refer to the circuit diagram no. on page 1571.

Note 1) Refer to page 1568 for reed auto switch common specifications.

Note 2) Under 5 mA, the strength of the indicator light is poor. In some cases, visibility of the indicator light will not be possible where the output signal is less than 2.5 mA. However, there is no problem in terms of contact output, when an output signal exceeds 1 mA or more.

Note 3) The auto switches can operate at 12 VDC, but consider the internal voltage drop of the auto switch described in Reed Auto Switch Precautions on page 12.

Weight

(g)

Auto switch model	Applicable bore size(mm)	Weight	Auto switch model	Applicable bore size(mm)	Weight
D-A33C-4, A34C-4	40	162	D-A44C-4	40	160
D-A33C-5, A34C-5	50	166	D-A44C-5	50	164
D-A33C-6, A34C-6	63	184	D-A44C-6	63	182
D-A33C-8, A34C-8	80	210	D-A44C-8	80	208
D-A33C-10, A34C-10	100	232	D-A44C-10	100	230

Dimensions

(mm)

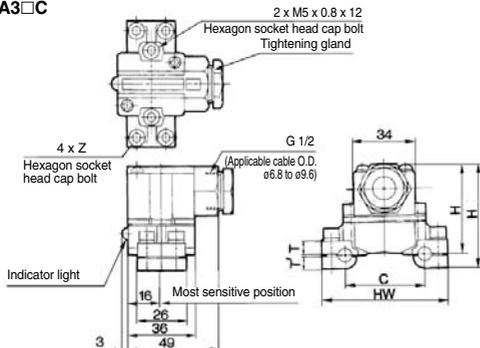
Auto switch model	Applicable bore size (mm)	C	HW	H	H'	T	T'	Z
D-A3□C-4, D-A44C-4	40	44	69	58 (67.5)	50.5 (60)	7.5	6.5	M5 x 0.8 x 16
D-A3□C-5, D-A44C-5	50	52	77	59 (68.5)	51.5 (61)	8.5	6.5	
D-A3□C-6, D-A44C-6	63	64	91	61.5 (71)	53 (62.5)	10.5	7.5	M5 x 0.8 x 20
D-A3□C-8, D-A44C-8	80	78	107	65 (74.5)	54.5 (64)	12.5	9.5	M5 x 0.8 x 25
D-A3□C-10, D-A44C-10	100	92	121	68 (77.5)	57.5 (67)	15.5	9.5	

* () : Denotes the values of D-A44C

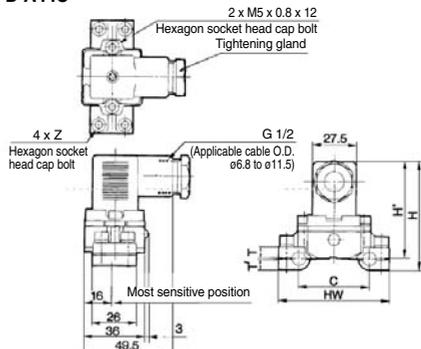
(mm)

Dimensions

D-A3□C



D-A44C



Reed Auto Switch Direct Mounting Style D-Z73/D-Z76/D-Z80



Refer to SMC website for the details of the products conforming to the international standards.

Grommet



Auto Switch Specifications

PLC: Programmable Logic Controller

D-Z7 (With indicator light)			
Auto switch model	D-Z73		D-Z76
Applicable load	Relay, PLC		IC circuit
Load voltage	24 VDC ⁽⁴⁾	100 VAC	4 to 8 VDC
Max. load current and load current range ⁽³⁾	5 to 40 mA	5 to 20 mA	20 mA
Circuit diagram*	③		⑤
Contact protection circuit	None		
Internal voltage drop	2.4 V or less (Up to 20 mA)/3 V or less (Up to 40 mA)		0.8 V or less
Indicator light	Red LED illuminates when turned ON.		
Standard	CE marking		
D-Z8 (Without indicator light)			
Auto switch model	D-Z80		
Applicable load	Relay, PLC, IC circuit		
Load voltage	24 V ^{AC} _{DC} or less	48 V ^{AC} _{DC}	100 V ^{AC} _{DC}
Maximum load current	50 mA	40 mA	20 mA
Circuit diagram*	④		
Contact protection circuit	None		
Internal resistance	1 Ω or less (Including 3 m lead wire)		
Standard	CE marking		

Oilproof Heavy-duty Lead Wire Specifications

Auto switch model	D-Z73	D-Z76	D-Z80
Sheath	Outside diameter [mm] ø2.7	ø3.4	ø2.7
Insulator	Number of cores	2 cores (Brown/Blue)	3 cores (Brown/Blue/Black)
	Outside diameter [mm]	ø1.1	
Conductor	Effective area [mm ²]	0.18	0.2
	Strand diameter [mm]	ø0.08	
Lead wire minimum bending radius [mm] (Reference values)	17	21	17

* Refer to the circuit diagram no. on page 1571.

Note 1) Refer to page 1568 for reed auto switch common specifications.

Note 2) Refer to page 1568 for lead wire lengths.

Note 3) Under 5 mA, the strength of the indicator light is poor. In some cases, visibility of the indicator light will not be possible where the output signal is less than 2.5 mA. However, there is no problem in terms of contact output, when an output signal exceeds 1 mA or more.

Note 4) The auto switches can operate at 12 VDC, but consider the internal voltage drop of the auto switch described in Reed Auto Switch Precautions on page 12.

Weight

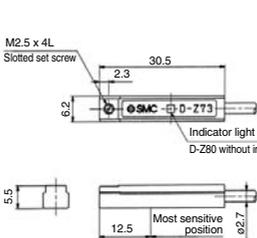
(g)

Auto switch model	D-Z73	D-Z76	D-Z80
Lead wire length	0.5 m (NII)	7	7
	3 m (L)	31	31
	5 m (Z)	50	—

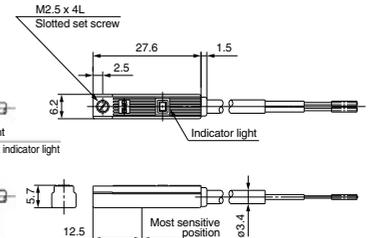
Dimensions

(mm)

D-Z73, Z80



D-Z76



Reed Auto Switch Direct Mounting Style D-E73A/D-E76A/D-E80A



Refer to SMC website for the details of the products conforming to the international standards.

Grommet



Auto Switch Specifications

PLC: Programmable Logic Controller

D-E7□A (With indicator light)			
Auto switch model	D-E73A		D-E76A
Applicable load	Relay, PLC		IC circuit
Load voltage	24 VDC ⁽⁴⁾	100 VAC	4 to 8 VDC
Max. load current and load current range ⁽³⁾	5 to 40 mA	5 to 20 mA	20 mA
Circuit diagram*	③		⑤
Contact protection circuit	None		
Internal voltage drop	2.4 V or less		0.8 V or less
Indicator light	Red LED illuminates when turned ON.		
Standard	CE marking		
D-E80A (Without indicator light)			
Auto switch model	D-E80A		
Applicable load	Relay, PLC, IC circuit		
Load voltage	24 V ^{AC} _{DC} or less	48 V ^{AC} _{DC}	100 V ^{AC} _{DC}
Maximum load current	50 mA	40 mA	20 mA
Circuit diagram*	④		
Contact protection circuit	None		
Internal resistance	1 Ω or less (Including lead wire length of 3 m)		
Standard	CE marking		

Oilproof Heavy-duty Lead Wire Specifications

Auto switch model		D-E73A	D-E76A	D-E80A
Sheath	Outside diameter [mm]	ø3.4		
Insulator	Number of cores	2 cores (Brown/Blue)	3 cores (Brown/Blue/Black)	2 cores (Brown/Blue)
	Outside diameter [mm]	ø1.1		
Conductor	Effective area [mm ²]	0.2		
	Strand diameter [mm]	ø0.08		
Lead wire minimum bending radius [mm] (Reference values)		21		

* Refer to the circuit diagram no. on page 1571.

Note 1) Refer to page 1568 for reed auto switch common specifications.

Note 2) Refer to page 1568 for lead wire lengths.

Note 3) Under 5 mA, the strength of the indicator light is poor. In some cases, visibility of the indicator light will not be possible where the output signal is less than 2.5 mA. However, there is no problem in terms of contact output, when an output signal exceeds 1 mA or more.

Note 4) The auto switches can operate at 12 VDC, but consider the internal voltage drop of the auto switch described in Reed Auto Switch Precautions on page 12.

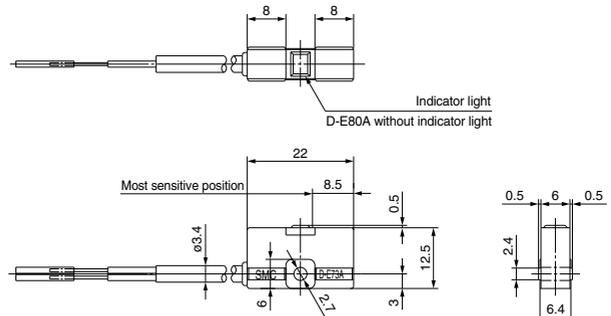
Weight

(g)

Auto switch model		D-E73A	D-E76A	D-E80A
Lead wire length	0.5 m (NII)	10	11	10
	3 m (L)	47	55	47

Dimensions

(mm)



2-Color Indication Type Reed Auto Switch Band Mounting Style D-B59W



Refer to SMC website for the details of the products conforming to the international standards.

Grommet

The proper operating range can be determined by the color of the light.
(Red → Green ← Red)



Auto Switch Specifications

PLC: Programmable Logic Controller

D-B59W (With indicator light)	
Auto switch model	D-B59W
Applicable load	Relay, PLC
Load voltage	24 VDC
Load current range ⁽³⁾	5 to 40 mA
Circuit diagram*	⑥
Contact protection circuit	Built-in
Internal voltage drop	4 V or less
Indicator light	Operating range Red LED illuminates. Proper operating range Green LED illuminates.
Standard	CE marking

Oilproof Heavy-duty Lead Wire Specifications

Auto switch model		D-B59W
Sheath	Outside diameter [mm]	ø4
	Number of cores	2 cores (Brown/Blue)
Insulator	Outside diameter [mm]	ø1.22
	Effective area [mm ²]	0.3
Conductor	Strand diameter [mm]	ø0.08
	Lead wire minimum bending radius [mm] (Reference values)	24

* Refer to the circuit diagram no. on page 1571.

Note 1) Refer to page 1568 for reed auto switch common specifications.

Note 2) Refer to page 1568 for lead wire lengths.

Note 3) Under 5 mA, the strength of the indicator light is poor. In some cases, visibility of the indicator light will not be possible where the output signal is less than 2.5 mA. However, there is no problem in terms of contact output, when an output signal exceeds 1 mA or more.

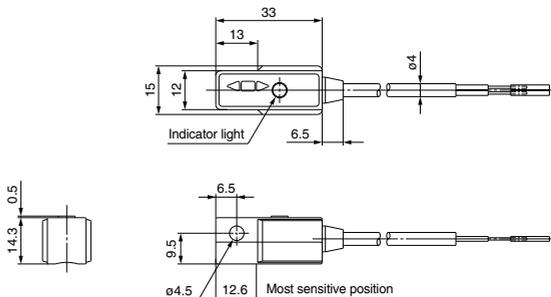
Weight

(g)

Auto switch model		D-B59W
Lead wire length	0.5 m (NII)	20
	3 m (L)	76

Dimensions

(mm)



2-Color Indication Type Reed Auto Switch Rail Mounting Style D-A79W



Grommet

The proper operating range can be determined by the color of the light.
(Red → Green ← Red)



Refer to SMC website for the details of the products conforming to the international standards.

Auto Switch Specifications

PLC: Programmable Logic Controller

D-A79W (With indicator light)	
Auto switch model	D-A79W
Applicable load	Relay, PLC
Load voltage	24 VDC
Load current range ⁽³⁾	5 to 40 mA
Circuit diagram*	⑦
Contact protection circuit	None
Internal voltage drop	4 V or less
Indicator light	Operating range Red LED illuminates. Proper operating range Green LED illuminates.
Standard	CE marking

Oilproof Heavy-duty Lead Wire Specifications

Auto switch model		D-A79W
Sheath	Outside diameter [mm]	ø3.4
	Number of cores	2 cores (Brown/Blue)
Insulator	Outside diameter [mm]	ø1.1
	Effective area [mm ²]	0.2
Conductor	Strand diameter [mm]	ø0.08
	Lead wire minimum bending radius [mm] (Reference values)	21

* Refer to the circuit diagram no. on page 1571.

Note 1) Refer to page 1568 for reed auto switch common specifications.

Note 2) Refer to page 1568 for lead wire lengths.

Note 3) Under 5 mA, the strength of the indicator light is poor. In some cases, visibility of the indicator light will not be possible where the output signal is less than 2.5 mA. However, there is no problem in terms of contact output, when an output signal exceeds 1 mA or more.

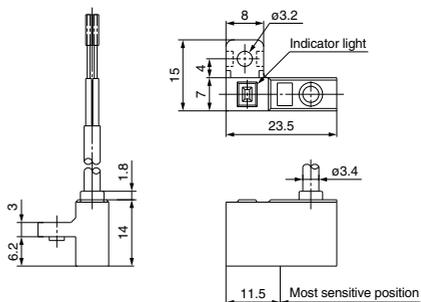
Weight

(g)

Auto switch model		D-A79W
Lead wire length	0.5 m (NII)	11
	3 m (L)	53

Dimensions

(mm)



2-Color Indication Type Reed Auto Switch Tie-rod Mounting Style D-A59W



Grommet

The proper operating range can be determined by the color of the light.

(Red → Green ← Red)



Refer to SMC website for the details of the products conforming to the international standards.

Auto Switch Specifications

PLC: Programmable Logic Controller

D-A59W (With indicator light)	
Auto switch model	D-A59W
Applicable load	Relay, PLC
Load voltage	24 VDC
Load current range ⁽³⁾	5 to 40 mA
Circuit diagram*	⑥
Contact protection circuit	Built-in
Internal voltage drop	4 V or less
Indicator light	Operating range Red LED illuminates. Proper operating range Green LED illuminates.
Standard	CE marking

Oilproof Heavy-duty Lead Wire Specifications

Auto switch model		D-A59W
Sheath	Outside diameter [mm]	ø4
	Number of cores	2 cores (Brown/Blue)
Insulator	Outside diameter [mm]	ø1.22
	Effective area [mm ²]	0.3
Conductor	Strand diameter [mm]	ø0.08
	Lead wire minimum bending radius [mm] (Reference values)	24

* Refer to the circuit diagram no. on page 1571.

Note 1) Refer to page 1568 for reed auto switch common specifications.

Note 2) Refer to page 1568 for lead wire lengths.

Note 3) Under 5 mA, the strength of the indicator light is poor. In some cases, visibility of the indicator light will not be possible where the output signal is less than 2.5 mA. However, there is no problem in terms of contact output, when an output signal exceeds 1 mA or more.

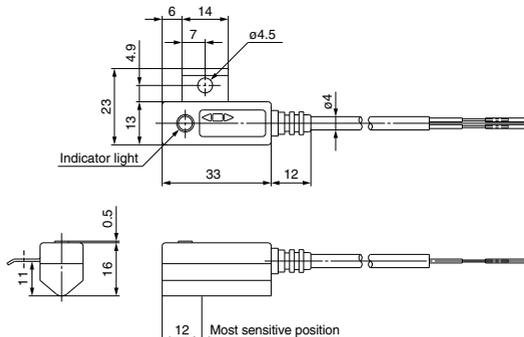
Weight

(g)

Auto switch model		D-A59W
Lead wire length	0.5 m (NII)	25
	3 m (L)	80

Dimensions

(mm)



D-□

Magnetic Field Resistant 2-Color Indication Type Reed Auto Switch

D-P79WSE

(Electrical Entry: Pre-wired connector)



Refer to SMC website for the details of the products conforming to the international standards.

Grommet

The proper operating range can be determined by the color of the light.
(Red → Green ← Red)



Caution

Precautions

Cylinder with a strong integrated magnet must be used.

Auto Switch Specifications

PLC: Programmable Logic Controller

Auto switch model	D-P79WSE
Applicable load	PLC
Load voltage	24 VDC
Load current range	8 to 20 mA
Circuit diagram*	⑥
Contact protection circuit	Built-in
Internal voltage drop	6 V or less
Indicator light	Operating range Red LED illuminates. Proper operating range Green LED illuminates.
Standard	CE marking

Oilproof Heavy-duty Lead Wire Specifications

Auto switch model		D-P79WSE
Sheath	Outside diameter [mm]	ø6
	Number of cores	2 cores
Insulator	Outside diameter [mm]	ø2.3
	Effective area [mm ²]	0.5
Conductor	Strand diameter [mm]	ø0.08
	Lead wire minimum bending radius [mm] (Reference values)	48

* Refer to the circuit diagram no. on page 1571.

Note 1) Refer to page 1568 for reed auto switch common specifications.

Weight

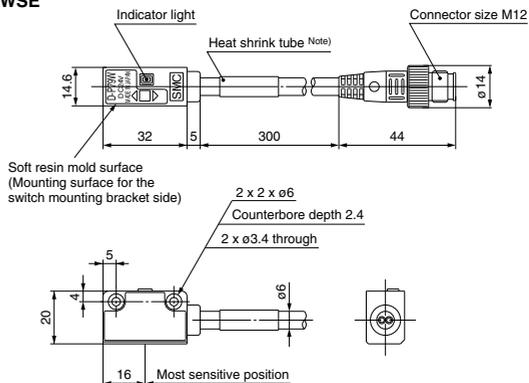
(g)

Auto switch model	D-P79WSE
	100

Dimensions

(mm)

D-P79WSE



Note) D-P79WSE = "SE 1 4-"

Caution

Please be careful of the mounting direction.

The soft resin mold surface must be directed to the switch mounting bracket side.

Magnetic Field Resistant Reed Auto Switch D-P74



Refer to SMC website for the details of the products conforming to the international standards.

Grommet



Auto Switch Specifications

PLC: Programmable Logic Controller

D-P74L/Z (With indicator light)	
Auto switch model	D-P74
Electrical entry	Grommet
Application	Relay, PLC
Load voltage	24 VDC 100 VAC
Max. load voltage/Load current range	5 to 40 mA 5 to 20 mA
Circuit diagram*	①
Contact protection circuit	Built-in
Internal voltage drop (internal resistance)	2.4 V or less
Leakage current	0
Indicator light	Red LED illuminates when turned ON.
Standard	CE marking

Caution

Precautions

Cylinder with a strong integrated magnet must be used.

Oilproof Heavy-duty Lead Wire Specifications

Auto switch model		D-P74
Sheath	Outside diameter [mm]	ø6.8
	Number of cores	2 cores (White/Black)
Insulator	Outside diameter [mm]	ø1.1
	Effective area [mm ²]	0.75
Conductor	Strand diameter [mm]	ø0.18
	Lead wire minimum bending radius [mm] (Reference values)	48

* Refer to the circuit diagram no. on page 1571.

Note 1) Refer to page 1568 for reed auto switch common specifications.

Note 2) Refer to page 1568 for lead wire lengths.

Note 3) Under 5 mA, the strength of the indicator light is poor. In some cases, visibility of the indicator light will not be possible where the output signal is less than 2.5 mA. However, there is no problem in terms of contact output, when an output signal exceeds 1 mA or more.

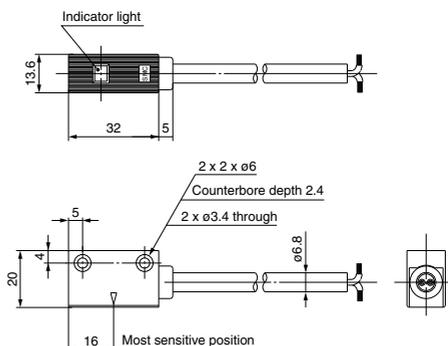
Weight

(g)

Auto switch model		D-P74
Lead wire length	3 m (L)	189
	5 m (Z)	320

Dimensions

(mm)



Magnetic Field Resistant Reed Auto Switch

D-P74-376



Refer to SMC website for the details of the products conforming to the international standards.

Grommet



Auto Switch Specifications

PLC: Programmable Logic Controller

D-P74-376 (With indicator light)	
Auto switch model	D-P74-376
Electrical entry	Grommet
Application	Relay, PLC
Load voltage	24 VDC
Max. load current/Load current range	5 to 20 mA
Circuit diagram*	①
Contact protection circuit	Built-in
Internal voltage drop (internal resistance)	2 V or less
Leakage current	0
Operating time	1.2 ms
Indicator light	Red LED illuminates when turned ON.
Standard	CE marking

Caution

Precautions

Cylinder with a strong integrated magnet must be used.

Oilproof Heavy-duty Lead Wire Specifications

Auto switch model		D-P74
Sheath	Outside diameter [mm]	ø6
Insulator	Number of cores	2 cores
	Outside diameter [mm]	ø1.1
Conductor	Effective area [mm ²]	0.75
	Strand diameter [mm]	ø0.18
Lead wire minimum bending radius [mm] (Reference values)		48

* Refer to the circuit diagram no. on page 1571.

Note 1) Refer to page 1568 for reed auto switch common specifications.

Note 2) Under 5 mA, the strength of the indicator light is poor. In some cases, visibility of the indicator light will not be possible where the output signal is less than 2.5 mA. However, there is no problem in terms of contact output, when an output signal exceeds 1 mA or more.

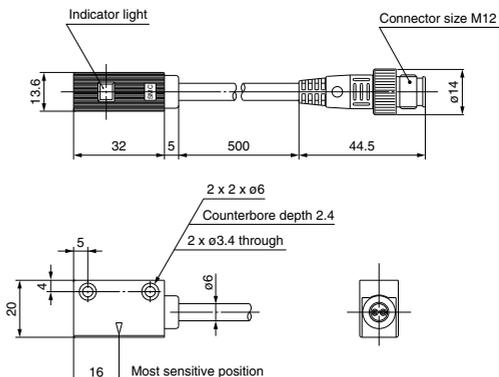
Weight

(g)

Auto switch model	D-P74-376
	60

Dimensions

(mm)



Heat Resistant Reed Auto Switch D-B30(J)/31(J)/35(J)



Can be used outdoors or under high temperature (Max. 120°C). Wide operating range (double that of other SMC products) enables stable position detection.



High temperature environment such as places around ignited gas outlet or furnace

Outdoor plants and environment with high temperature and humidity

Environment for steam cleaning or high temperature sterilization

Applications requiring wide operating range such as clamping of elastic work pieces

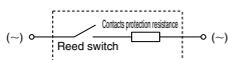
Use of metal case and heat resistant materials.

The construction prevents influence of external environment by sealing the auto switch internal parts to improve heat resistance.

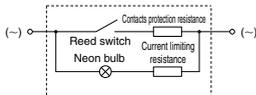
The wide operating range allows easy position setting and reduces influence of the work piece position changes.

Auto Switch Internal Circuit

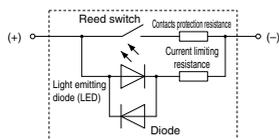
D-B30



D-B31



D-B35



Auto Switch Specifications

Refer to SMC website for the details of the products conforming to the international standards.

PLC: Programmable Logic Controller						
Auto switch model	D-B30	D-B30J	D-B31	D-B31J	D-B35	D-B35J
Electrical entry	Terminal conduit	Grommet	Terminal conduit	Grommet	Terminal conduit	Grommet
Operating voltage	24 VDC / 100 VAC		100 VAC		24 VDC	
Operating current range	5 to 30 mAADC / 5 to 20 mAAC		5 to 20 mAAC		5 to 30 mAADC	
Internal voltage drop	2.5 V or less		2.5 V or less		2.0 V or less	
Indicator light	Without indicator light		Neon bulb lights up when OFF		Red LED lights up when OFF	
Applicable load	PLC (Programmable Logic Controller)					
Shock resistance	300 m/s ²					
Leakage current	0.1 mA or less		1 mA or less		1 mA or less	
Lead wire	—	0.5 m	—	0.5 m	—	0.5 m
Enclosure	Terminal conduit : IEC60529 IP64 Grommet : IEC60529 IP67					
Withstand voltage	1500 VAC for 1 minute (between case and terminals or lead wires)					
Insulation resistance	50 MΩ or larger between case (ground) and lead wires (terminals)					
Operating temperature range	-10°C to 120°C					
Standard	CE marking					

Oilproof Heavy-duty Lead Wire Specifications

Auto switch model		D-B30J	D-B31J	D-B35J
Sheath	Outside diameter [mm]	ø6		
Insulator	Number of cores	2 cores (Brown/Blue)		
	Outside diameter [mm]	ø2.3		
Conductor	Effective area [mm ²]	0.5		
	Strand diameter [mm]	ø0.08		
Lead wire minimum bending radius (mm) (Reference values)		48 (Room temperature)		

Weight

(g)

Auto switch model		D-B30	D-B30J	D-B31	D-B31J	D-B35	D-B35J
Lead wire length	None	190	—	190	—	190	—
	0.5 m (Nil)	—	250	—	250	—	250
	3 m (L)	—	268	—	268	—	268
	5 m (Z)	—	462	—	462	—	462

Lead wire length

In case of the grommet type (J type), the lead wire length is 0.5 m. (No lead wire is attached to the terminal conduit type.)

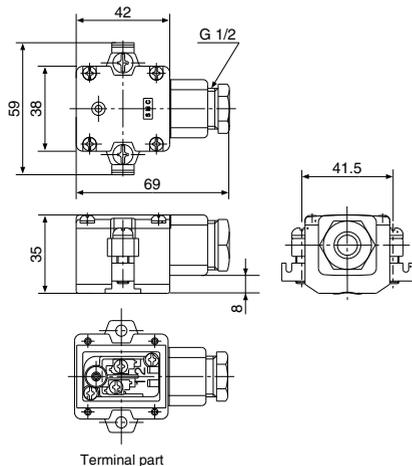
Manufacture of 3 m and 5 m types is also possible. Please consult SMC for these types.

Series D-B3

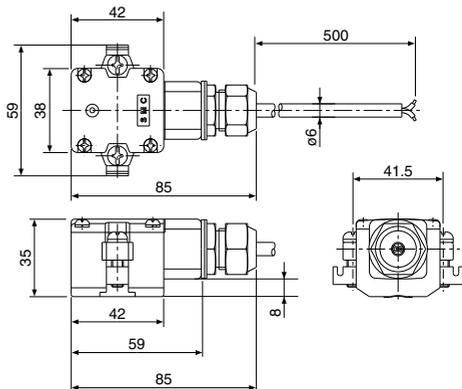
Dimensions

(mm)

Terminal conduit type D-B3□

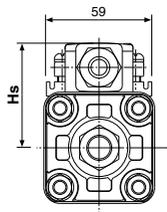


Terminal conduit type D-B3□J



* Recommended minimum bending radius for lead wire RT : 25 mm or more
120°C : 50 mm or more

Dimensions for Cylinder Mounting



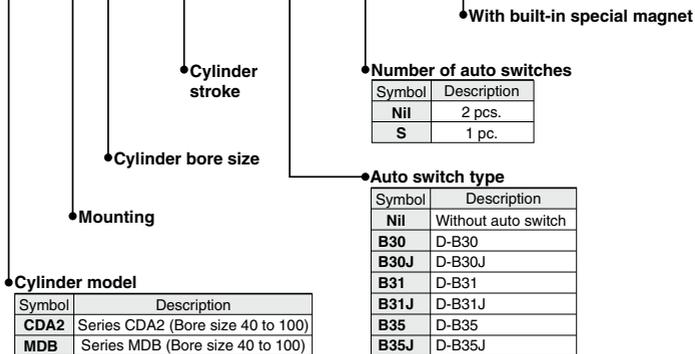
Hs dimensions

(mm)

Bore size	Cylinder model	
	CDA2	MDB
40 mm	58.5	57.5
50 mm	64	63
63 mm	71	69.5
80 mm	79.5	78.5
100 mm	90	89

Mounting cylinder part no.

CDA2 B 50 - 200 - B31J S - X1184



* Please consult SMC in case the switch is to be mounted on models other than applicable cylinders.



Series D-B3

Specific Product Precautions

Be sure to read before handling.

Refer to front matter 57 for Safety Instructions and pages 8 to 12 for Auto Switch Precautions.

Caution

1. Use the reed switch within the operating range.

Take precautions about the ambient temperature because using the reed switch beyond the operating range may affect its internal electronic parts and sealing construction, causing abnormalities to the service life of the contact, as well as operation and waterproof performance of the switch.

Also, the maximum temperature of the environment where the switch is used must be fully understood before operation is started because the temperature of the environment where the auto switch is installed may experience some changes after operation is started due to factors other than air temperature such as influence of radiation heat from the heat source, air circulation or heat conduction.

2. Take precautions about the environment where the auto switch is installed.

If conditions (water splashes, time, temperature) beyond the normal ranges can be applied to the auto switch, use the auto switch in an environment where it will not be directly exposed to water splashes at a high temperature by installing a cover to protect the entire auto switch, as long as it is possible. The grommet type auto switch has a construction that will protect its internal parts against water splashes at the normal temperature. However, if the conditions (water splashes, time, temperature) exceed the normal ranges, they may adversely affect the auto switch internal insulation performance.

Also, confirm the applicability of the auto switch in the environment because extreme heat cycles or a long-term high humidity may cause functional deterioration of the auto switch protection construction.

In principle, the terminal conduit type must be used in an environment with no exposure to humidity or water because at high temperatures, it may become impossible to achieve sufficient waterproof effect due to deformation of lead wire sealant depending on the heat resistance of the lead wire and cable clamp.

3. Visibility of an indicator light

Because the auto switch uses light emitting diodes and neon bulbs for display, continuous operation at a high temperature may cause changes in characteristics of the entire display circuit. Also, the transparency of the display window on the body may change depending on the characteristics of the resin.

Because of the above factors, lighting under high temperature may become dark, causing decline of visibility.

However, there could be no problem in output of the signal itself and its safety owing to adoption of the OFF-state lighting system.

4. Take precautions about leakage current.

According to the heat resistant characteristics of its parts, the auto switch adopts the OFF-state lighting system (the indicator light lights up when the reed switch contact is open and goes off when the reed switch contact is closed).

Since the current for indication lighting is running when the auto switch is off, confirm the allowable leakage current of PLC etc. before selecting the model.

If the leakage current of the indicator light becomes a problem for the PLC operation, select a model without an indicator light.

5. Keep the lead wire length as short as possible.

If a long lead wire is used because of the conditions of the plant or equipment where the switch is installed, malfunction in the reed switch reset operation may occur due to premature damage to the contact surface caused by the inrush current resulting from the line flotation capacity and influence of the electric field created by the power line near the wiring.

Therefore, the maximum wiring length should be kept at 100 m or less.

Avoid wiring in proximity with the power line. Also, if the length of wiring in use is extremely long (30 m or longer), schedule replacement in periodical maintenance.

The basic guidelines for replacement are a total wiring length of 100 m between the load and the auto switch and 1 million cycles of operation (at 120°C, 100VAC PLC load).

6. Install the auto switch at the center of the operating range.

The operation range of the auto switch is set at approximately double that of the standard type in consideration of the mounting error when the detection position is set. However, this range is subject to change with the temperature. Although the variation in the operating range differs with the cylinder on which the auto switch is mounted, a temperature change of 100°C will roughly result in the maximum of 20% reduction in the overall operation range.

(Approximately 2 mm variation at the position where the auto switch usually turns on.)

Therefore, install the auto switch at the center of the operating range (stable range), while understanding the possible change in the operating range and considering the stability of the auto switch operation.

(Avoid installation of the auto switch at the boundary where the auto switch turns on or off.)

7. Selection of applicable cylinders

The auto switch should be mounted on special cylinders (Series - X1184) because it is operated by magnets using heat resistant material.

Consult SMC in advance for special applications in which conventional cylinder cannot be used because, depending on the operating environment, it is possible that special measures should be taken or even the cylinder cannot be adapted.

8. Maintenance

After the auto switch is installed under high temperature, apply additional tightening periodically to the auto switch mounting band.

The rubber lining of the auto switch mounting band may need some time to adapt to the environment because of temperature changes in the installation environment. Perform additional tightening at a tightening torque of 2 to 3 N·m while carefully applying equal torque to both lifting screws.

9. Product upgrades

The product is subject to change without prior notice due to upgrades.