

- Olympian plug-in design
- Robust and compact
- High flow unit with large valve and diaphragm
- Adjusting Knob has Snap-Action Lock
- Excellent flow and regulation characteristics

**Redimount Regulator**  
**G<sup>3/4</sup> to G1<sup>1/2</sup>**  
**Olympian**



**Technical Data**

Medium:

Compressed air only

Maximum Inlet Pressure:

20 bar

Operating Temperature:

-20°C\* to +80°C

\*Consult our Technical Service for use below +2°C

Recommended Regulated Pressures<sup>††</sup>:

0,4 - 8 bar standard

0 - 4 bar optional

2 - 16 bar optional (only available with T-bar adjusting screw)

<sup>††</sup>Can be adjusted to zero bar outlet pressure and, generally, to pressures in excess of those specified.

Gauge Ports:

G<sup>1/8</sup>

Maximum Flow with 10 bar inlet pressure, 6,3 bar outlet pressure and pressure drop of 1 bar:

180 dm<sup>3</sup>/s

**Port Sizes**

G<sup>3/4</sup>, G1, G1<sup>1/4</sup>, G1<sup>1/2</sup> to ISO 1179

Accepts ISO 228 (BS 2779) parallel or ISO 7 (BS 21) taper connectors

**Alternative Models**

Other port thread forms

T-bar adjusting screw

Maximum pressure setting stop

Key Lock adjusting knob

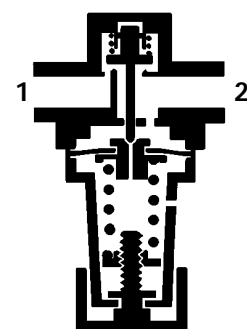
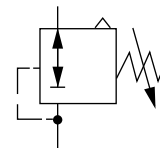
**Materials**

Aluminium alloy body. Acetal resin adjusting knob (steel T-bar adjusting screw). Synthetic rubber elastomeric materials.

**Ordering Information**

To order a standard Redimount Regulator, quote model number from table overleaf.

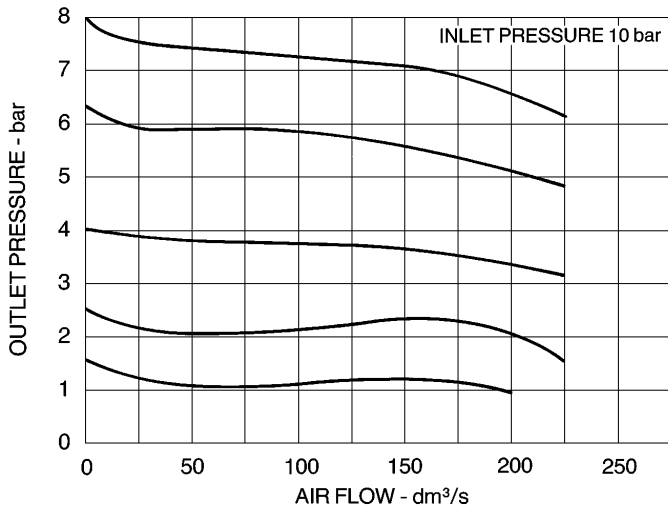
For non-standard models substitute appropriate digits as instructed.



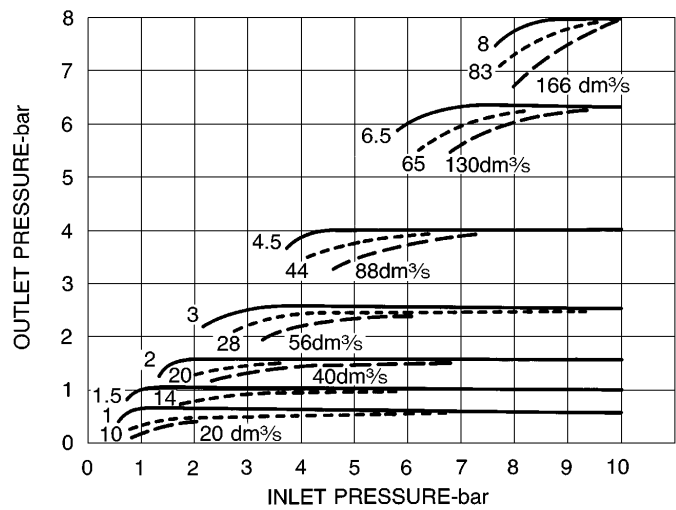


## Typical Performance Characteristics

**FLOW CHARACTERISTICS**



**REGULATION CHARACTERISTICS**



## Standard Redimount Regulators

8 bar spring

Port Size	Relieving	Weight kg	Non-relieving	Weight kg
G <sup>3</sup> / <sub>4</sub>	R15-600-RNLD	2,04	R15-600-NNLD	2,14
G1	R15-800-RNLD	2,04	R15-800-NNLD	2,09
G1 <sup>1</sup> / <sub>4</sub>	R15-A00-RNLD	2,08	R15-A00-NNLD	2,11
G1 <sup>1</sup> / <sub>2</sub>	R15-B00-RNLD	2,12	R15-B00-NNLD	2,15

## Non-standard Models

For replacement Regulators substitute '0' and 'O' at the 4<sup>th</sup> and 10<sup>th</sup> digits respectively, e.g. R15-000-RNLO. Supplied without Unidaptors as replacement units or for the build-up of Combination Units. Please consult our Technical Service for further details.

For optional 4 or 16 bar springs, substitute 'F' or 'S' respectively for 'L' at the 9<sup>th</sup> digit, e.g. R15-600-RNFD. (16 bar spring only available with T-bar adjusting screw).

For optional T-bar adjusting screw, substitute '1' for '0' at the 6<sup>th</sup> digit, e.g. R15-601-RNLD.

Specify if unit is required complete with T15 Shut-Off Valve fitted upstream. For details of Shut-Off Valves see page 8.11.021.01.

For other options, please consult our Technical Service.

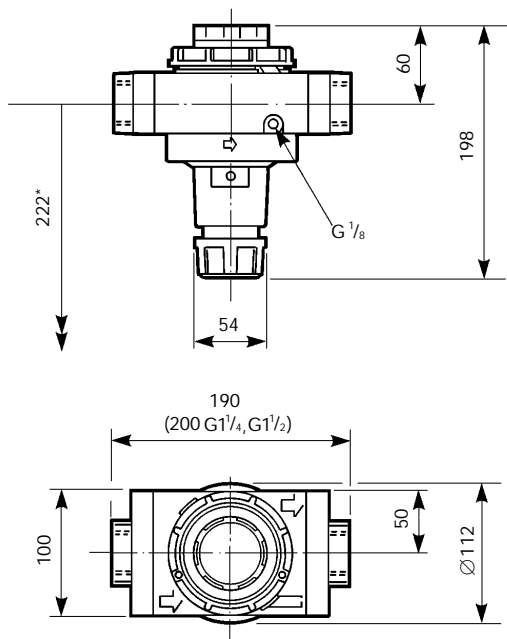
## Accessories

Wall Mounting Bracket Kit, see page 8.6.041.03.

Pressure Gauges, see page 8.11.031.01.

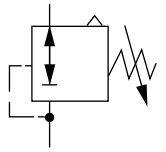


## Redimount Regulator



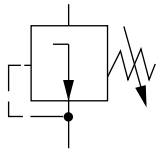
### Relieving

R15-600-RNLD G<sup>3</sup>/<sub>4</sub>  
 R15-800-RNLD G1  
 R15-A00-RNLD G1<sup>1</sup>/<sub>4</sub>  
 R15-B00-RNLD G1<sup>1</sup>/<sub>2</sub>



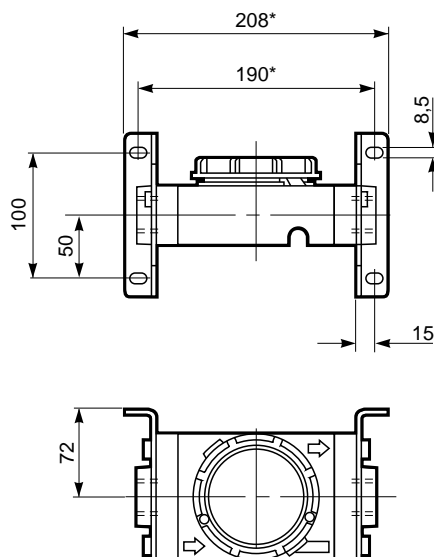
### Non-relieving

R15-600-NNLD G<sup>3</sup>/<sub>4</sub>  
 R15-800-NNLD G1  
 R15-A00-NNLD G1<sup>1</sup>/<sub>4</sub>  
 R15-B00-NNLD G1<sup>1</sup>/<sub>2</sub>



\*Minimum clearance required to remove unit from yoke.

## Bracket Mounting



### Bracket Kit reference:

G<sup>3</sup>/<sub>4</sub> 18-001-979  
 G1 18-001-979  
 G1<sup>1</sup>/<sub>4</sub> 18-001-978  
 G1<sup>1</sup>/<sub>2</sub> N/A

\*If Shut-Off Valve fitted add 46 mm to dimensions.



## Spares Kits

Type	Gasket Kit	Repair Kit
Relieving	R15-GK	R15-100R
Non-relieving	R15-GK	R15-100N

---

## Warning

These products are intended for use in industrial compressed air systems only. Do not use these products where *pressures* and *temperatures* can exceed those listed under '**Technical Data**'.

Before using these products with fluids other than those specified, for non-industrial applications, life-support systems, or other applications not within published specifications, consult NORGREN MARTONAIR.

Through misuse, age, or malfunction, components used in fluid power systems can fail in various modes. The system designer is warned to consider the failure modes of all component parts used in fluid power systems and to provide adequate safeguards to prevent personal injury or damage to equipment in the event of such failure.

**System designers must provide a warning to end users in the system instructional manual if protection against a failure mode cannot be adequately provided.**

System designers and end users are cautioned to review specific warnings found in instruction sheets packed and shipped with these products.