

# Electro-Pneumatic Regulator Electronic Vacuum Regulator



IP65\*

RoHS compliant

\* ITV009□/209□ are IP65 equivalent.

- Stepless control of air pressure proportional to an electrical signal
- Fieldbus compatibility added to Series ITV1000/2000/3000 specifications!

**New**

- Reduced wiring

Applicable Fieldbus protocols

CC-Link



Built-in communication board, so no converter needed.

- Now with RS-232C serial communications capability!

**Compact & light**

**Weight: 350 g** <sup>Note 1)</sup> (ITV1000)

**Power consumption: 4 w** <sup>Note 1)</sup> or less

Note 1) Value for communications type. (PROFIBUS DP)



## ▼ Electro-Pneumatic Regulators

Note 2) ITV1000. Dimensions in parentheses ( ) are for CC-Link or PROFIBUS DP.

### Series ITV0000

Maximum flow rate

**6 l/min (ANR)**

Set pressure: 0.6 MPa

Supply pressure: 1.0 MPa



### Series ITV1000

Maximum flow rate

**200 l/min (ANR)**

Set pressure: 0.6 MPa

Supply pressure: 1.0 MPa

Non-grease model (wetted parts)



### Series ITV2000

Maximum flow rate

**1500 l/min (ANR)**

Set pressure: 0.6 MPa

Supply pressure: 1.0 MPa



### Series ITV3000

Maximum flow rate

**4000 l/min (ANR)**

Set pressure: 0.6 MPa

Supply pressure: 1.0 MPa



## ▼ Electronic Vacuum Regulators

### Series ITV009 □



### Series ITV209 □



**Series ITV**



CAT.EUS60-15E-UK

# Compact Electro-Pneumatic Regulator Series *ITV0000*

# Compact Vacuum Regulator Series *ITV009*

Compact **15 mm**

With a simplified high-density circuit board design, an extremely compact size has been achieved.



Lightweight **100 g**

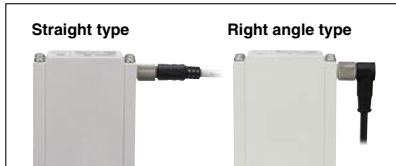
Realises space-savings and reduction of weight for manifold use.

Stations can be easily increased or decreased due to the DIN rail mount design.



## ■ Cable connectors

Straight type and right angle type are available.

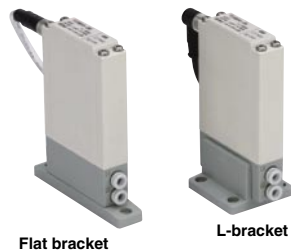


## ■ Built-in One-touch fittings

## ■ With error indication LED

## ■ Brackets

Flat and L-brackets are available.



Model	Pressure range	Power supply voltage	Input signal	Output signal	Option
ITV001□	0.1 MPa	24 VDC 12 VDC	4 to 20 mA 0 to 20 mA 0 to 5 VDC 0 to 10 VDC	Analog output 1 to 5 V	<ul style="list-style-type: none"> <li>• Cable connectors Straight type Right angle type</li> <li>• Brackets Flat bracket L-bracket</li> </ul>
ITV003□	0.5 MPa				
ITV005□	0.9 MPa				
ITV009□	-100 kPa				

## ● Equivalent to IP65

## ● Linearity: Within $\pm 1\%$ (F.S.)

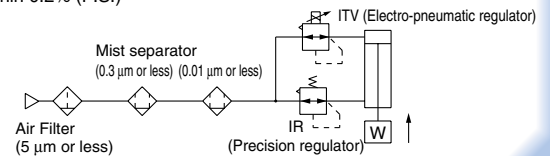
Hysteresis: Within 0.5% (F.S.)

Repeatability: Within  $\pm 0.5\%$  (F.S.)

## ● High-speed response time: 0.1 sec (Without load)

## ● High stability

Sensitivity within 0.2% (F.S.)



# Electro-Pneumatic Regulator Series *ITV1000/2000/3000*

# Electronic Vacuum Regulator Series *ITV209*



**New** Fieldbus compatibility added to Series *ITV1000/2000/3000* specifications!

## ● Reduced wiring

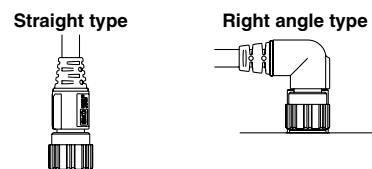
Applicable Fieldbus protocols



**New** Now with RS-232C serial communications capability!

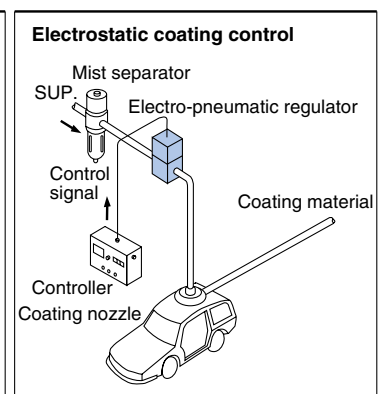
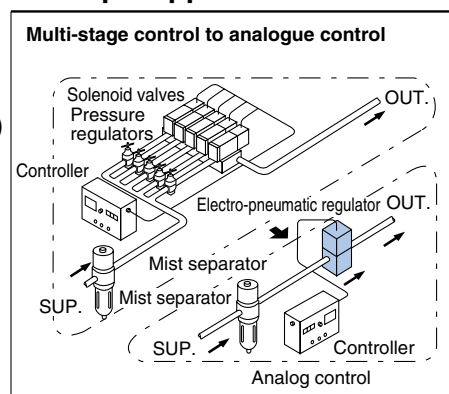


- Sensitivity: Within 0.2% (F.S.)
- Linearity: Within  $\pm 1\%$  (F.S.)
- Hysteresis: Within 0.5% (F.S.)
- IP65 (ITV209□ are IP65 equipment)
- Cable connections in 2 directions



## ● Non-grease model (series ITV1000)

## ● Sample applications









# Electro-Pneumatic Regulator

# Electronic Vacuum Regulator

Series *ITV*

- Stepless control of air pressure proportional to an electrical signal.

Series	Model	Regulating pressure range	Input signal	Port size	Page
<b>Series ITV0000</b> 	ITV001□	0.001 to 0.1 MPa	Current type: 4 to 20 mA DC Current type: 0 to 20 mA DC Voltage type: 0 to 5 V DC Voltage type: 0 to 10 V DC	Built-in One-touch fittings Metric size: ø4 Inch size: ø5/32	<b>1</b>
	ITV003□	0.001 to 0.5 MPa			
	ITV005□	0.001 to 0.9 MPa			
<b>Series ITV1000</b> 	ITV101□	0.005 to 0.1 MPa	Current type: 4 to 20 mA DC (Sink type) Current type: 0 to 20 mA DC (Sink type) Voltage type: 0 to 5 V DC Voltage type: 0 to 10 V DC Preset input <i>New</i> CC-Link compatible <i>New</i> DeviceNet™ compatible <i>New</i> PROFIBUS DP compatible <i>New</i> RS-232C communication	1/8, 1/4	<b>9</b>
	ITV103□	0.005 to 0.5 MPa			
	ITV105□	0.005 to 0.9 MPa			
<b>Series ITV2000</b> 	ITV201□	0.005 to 0.1 MPa	Current type: 4 to 20 mA DC (Sink type) Current type: 0 to 20 mA DC (Sink type) Voltage type: 0 to 5 V DC Voltage type: 0 to 10 V DC Preset input <i>New</i> CC-Link compatible <i>New</i> DeviceNet™ compatible <i>New</i> PROFIBUS DP compatible <i>New</i> RS-232C communication	1/4, 3/8	<b>9</b>
	ITV203□	0.005 to 0.5 MPa			
	ITV205□	0.005 to 0.9 MPa			
<b>Series ITV3000</b> 	ITV301□	0.005 to 0.1 MPa	Current type: 4 to 20 mA DC (Sink type) Current type: 0 to 20 mA DC (Sink type) Voltage type: 0 to 5 V DC Voltage type: 0 to 10 V DC Preset input <i>New</i> CC-Link compatible <i>New</i> DeviceNet™ compatible <i>New</i> PROFIBUS DP compatible <i>New</i> RS-232C communication	1/4, 3/8, 1/2	<b>9</b>
	ITV303□	0.005 to 0.5 MPa			
	ITV305□	0.005 to 0.9 MPa			
<b>Series ITV009□</b> 	ITV009□	-1 to -100 kPa	Current type: 4 to 20 mA DC Current type: 0 to 20 mA DC Voltage type: 0 to 5 V DC Voltage type: 0 to 10 V DC	Built-in One-touch fittings Metric size: ø4 Inch size: ø5/32	<b>27</b>
	ITV009□	-1 to -100 kPa			
<b>Series ITV209□</b> 	ITV209□	-1.3 to -80 kPa	Current type: 4 to 20 mA DC (Sink type) Current type: 0 to 20 mA DC (Sink type) Voltage type: 0 to 5 V DC Voltage type: 0 to 10 V DC Preset input <i>New</i> CC-Link compatible <i>New</i> DeviceNet™ compatible <i>New</i> PROFIBUS DP compatible <i>New</i> RS-232C communication	1/4	<b>34</b>

Electro-Pneumatic Regulator

Electronic Vacuum Regulator

# Compact Electro-Pneumatic Regulator Series *ITV0000*



## How to Order

For single unit and single unit for manifold

ITV00 **1** **0** - **3** **□** **□** **□** **N** - **Q**

Pressure range

1	0.1 MPa
3	0.5 MPa
5	0.9 MPa

Power supply voltage

0	24 VDC ±10%
1	12 to 15 VDC

Input signal

0	Current type 4 to 20 mA DC
1	Current type 0 to 20 mA DC
2	Voltage type 0 to 5 VDC
3	Voltage type 0 to 10 VDC

Built-in One-touch fittings type

For single unit

Symbol	SUP <sup>1</sup>	OUT <sup>2</sup>	EXH <sup>3</sup>
—	Metric size (Light grey)	ø4	
U	Inch size (Orange)	ø5/32"	

For manifold

Symbol	SUP <sup>1</sup>	OUT <sup>2</sup>	EXH <sup>3</sup>	
—	Metric size (Light grey)	ø6	ø4	ø6
U	Inch size (Orange)	ø1/4"	ø5/32"	ø1/4"

Cable connector (Option)

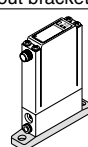
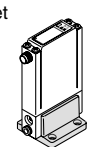
N	Without cable connector
S	Straight type 3 m
L	Right angle type 2 m

CE compliant

Q CE compliant

\* For detailed information on CE marked models, refer to SMC's website.

Bracket/Option for single unit only

—	Without bracket
B	Flat Bracket 
C	L-bracket 

Base type

—	For single unit
M	For manifolds

Manifold

IITV00 - **02** **□** - **n**

Stations

02	2 stations
03	3 stations
⋮	⋮
10	10 stations

Option

If a DIN rail longer than the specified stations is required, specify the applicable stations in two digits. (Maximum 10 stations) Example) IITV00-05-07

One-touch fitting size for supply/exhaust parts (End plate)

—	ø6 (Light grey)
U	ø1/4" (Orange)

Note) A DIN rail with the length specified by the number of stations is attached to the manifold. For dimensions of the DIN rail, refer to the external dimensions.

## How to Order Manifold Assembly (Example)

Indicate the part numbers of electro-pneumatic regulators and options to be mounted below the manifold part number.

Example)

Due to the common supply/exhaust feature, note that different pressure range combinations are not available.

IITV00-03.....1 set (Manifold part no.)

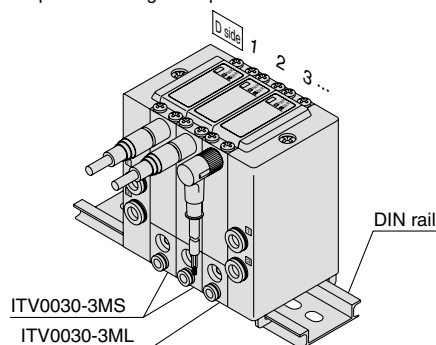
\*ITV0030-3MS.....2 sets (Electro-pneumatic regulator part no. (1, 2 stations))

\*ITV0030-3ML.....1 set (Electro-pneumatic regulator part no. (3 stations))

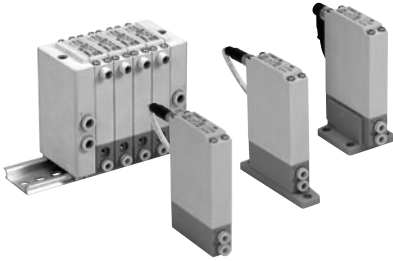
Indicate part numbers in order starting from the first station on the D side.

Note) Combination with different pressure ranges is not available due to common supply/exhaust features.

The asterisk (\*) specifies mounting. Add an asterisk (\*) at the beginning of electro-pneumatic regulator part numbers to be mounted.



## Specifications



Model		ITV001□	ITV003□	ITV005□
<b>Min. supply pressure</b>		Set pressure +0.1 MPa		
<b>Max. supply pressure</b>		0.2 MPa	1.0 MPa	
<b>Regulating pressure range</b>		0.001 to 0.1 MPa	0.001 to 0.5 MPa	0.001 to 0.9 MPa
<b>Maximum flow rate</b>		3.5 ℓ/min(ANR) (Supply pressure: 0.2 MPa)	6 ℓ/min(ANR) (Supply pressure: 0.6 MPa)	6 ℓ/min(ANR) (Supply pressure: 0.6 MPa)
<b>Power supply</b>	<b>Voltage</b>	24 VDC ±10%, 12 to 15 VDC		
	<b>Current consumption</b>	Power supply voltage 24 VDC type: 0.12 A or less Power supply voltage 12 to 15 VDC type: 0.18 A or less		
<b>Input signal</b>	<b>Voltage type</b>	0 to 5 VDC, 0 to 10 VDC		
	<b>Current type</b>	4 to 20 mA DC, 0 to 20 mA DC		
<b>Input impedance</b>	<b>Voltage type</b>	Approximately 10 kΩ		
	<b>Current type</b>	Approximately 250 Ω		
<b>Output signal</b>	<b>Analogue output</b>	1 to 5 VDC (Load impedance: 1 kΩ or more) Output accuracy: Within ±6% (Full span)		
<b>Linearity</b>		Within ±1% (Full span)		
<b>Hysteresis</b>		Within 0.5% (Full span)		
<b>Repeatability</b>		Within ±0.5% (Full span)		
<b>Sensitivity</b>		Within 0.2% (Full span)		
<b>Temperature characteristics</b>		Within ±0.12% (Full span)/°C		
<b>Operating temperature range</b>		0 to 50°C (No condensation)		
<b>Enclosure</b>		Equivalent to IP65 *		
<b>Connection type</b>		Built-in One-touch fittings		
<b>Connection size</b>	<b>For single unit</b>	Metric size	①, ②, ③: ø4	
		Inch size	①, ②, ③: ø5/32"	
	<b>Manifold</b>	Metric size	①, ③: ø6, ②: ø4	
		Inch size	①, ③: ø1/4", ②: ø5/32"	
<b>Weight</b> <sup>Note 1)</sup>		100 g or less (without options)		

Note 1) Indicates the weight of a single unit.

For IITV00-n

Total weight (g) ≤ Stations (n) x 100 + 130 (Weight of end block A, B assembly) + Weight (g) of DIN rail

Note 2) Specifications other than the following are optional. Pressure range: 0.1 MPa, 0.5 MPa, 0.9 MPa, Power supply voltage: 24 VDC, Input signal: 0 to 10 VDC

Note 3) When there is a downstream flow consumption, pressure may become unstable depending on piping conditions.

\* When using under the conditions equivalent to IP65, connect the fitting or tube to the breathing hole prior to use. (For details, refer to "Specific Product Precautions (1)" on back page 3)

## Accessory (Option)

### Bracket

Flat bracket assembly (includes 2 mounting screws)  
P39800022



L-bracket assembly (includes 2 mounting screws)  
P39800023



Tighting torque when assembling is 0.3 N·m.

### Cable connector

Straight type  
M8-4DSX3MG4



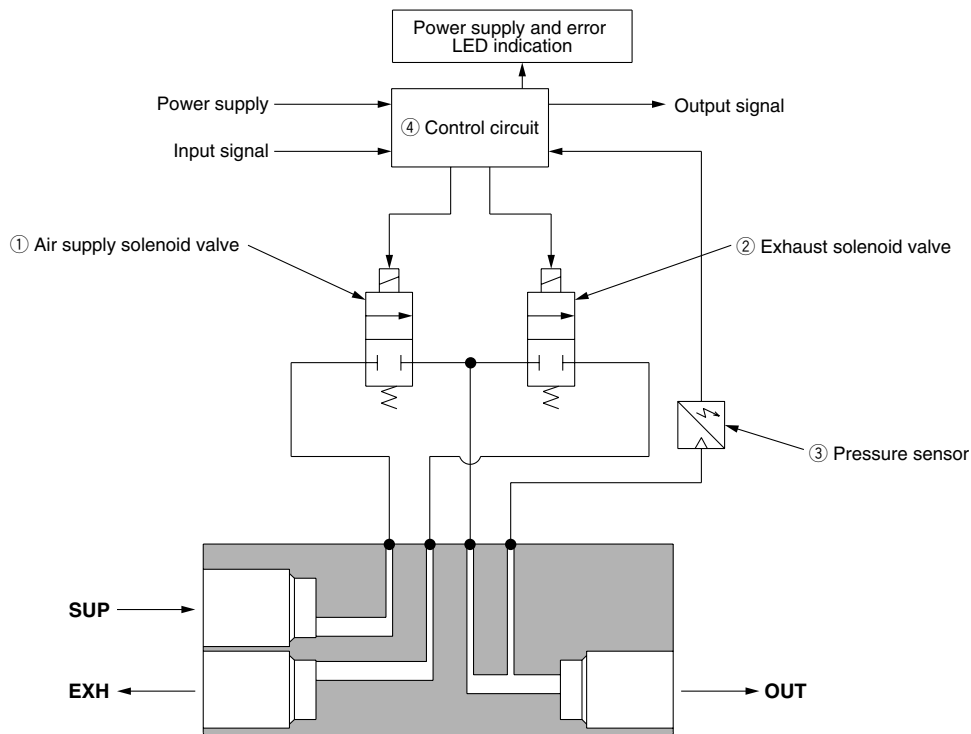
Right angle type  
ELWIKA-KV4408 PVC025 2M



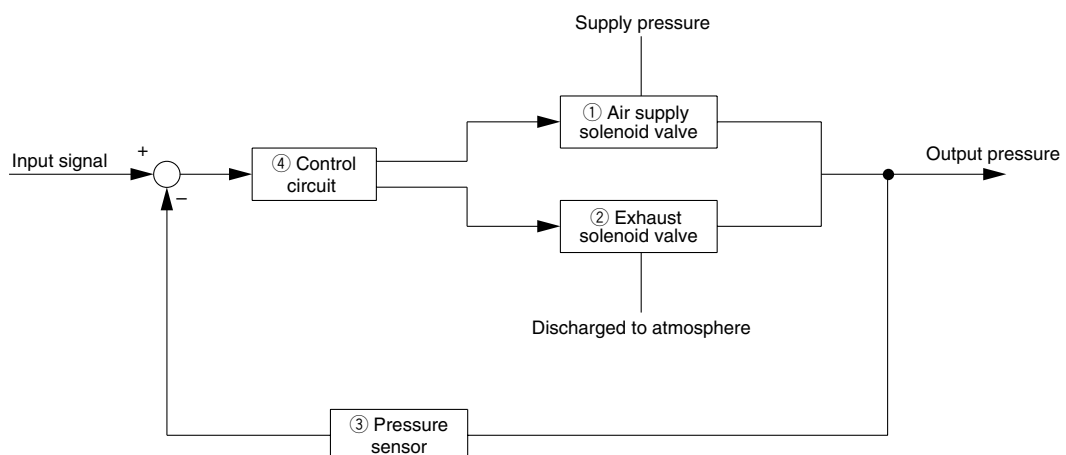
## Working Principle

When the input signal rises, the air supply solenoid valve ① turns ON. Due to this, part of the supply pressure passes through the air supply solenoid valve ① and changes to output pressure. This output pressure feeds back to the control circuit ④ via the pressure sensor ③. Here, pressure corrections continue until output pressure becomes proportional to the input signal, enabling output pressure that is proportional to the input signal.

**Diagram of working principle**

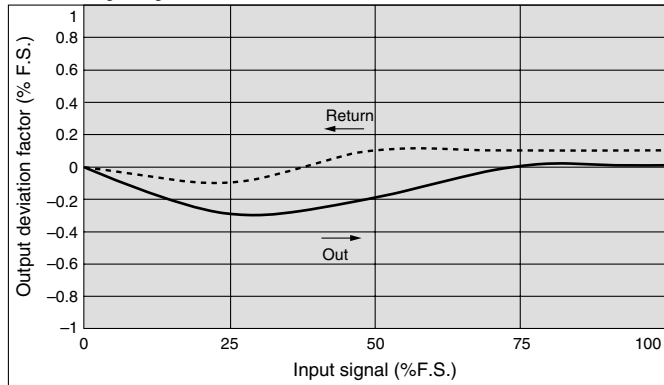


**Block diagram**



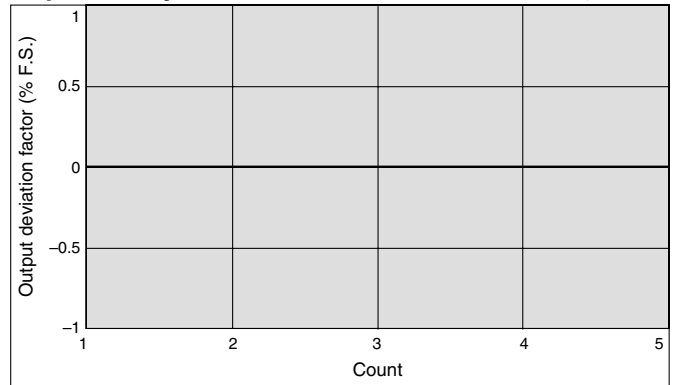
**Series ITV001** □

**Linearity, Hysteresis**



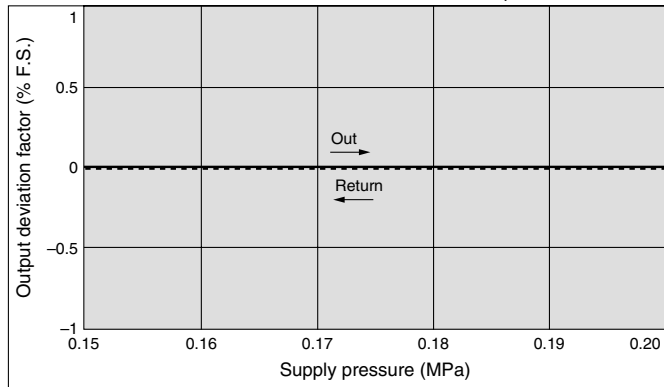
**Repeatability**

With 50% of signal input



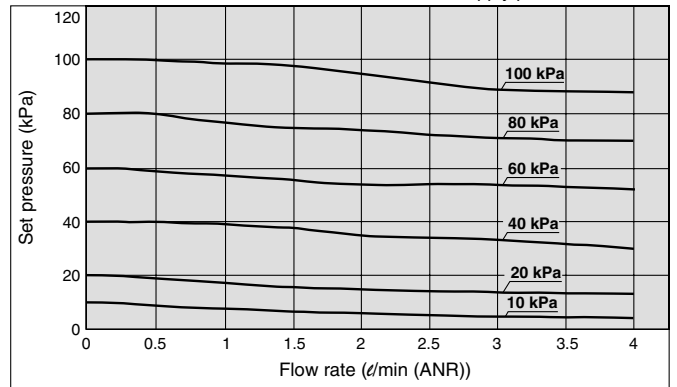
**Pressure Characteristics**

Set pressure: 0.05 MPa



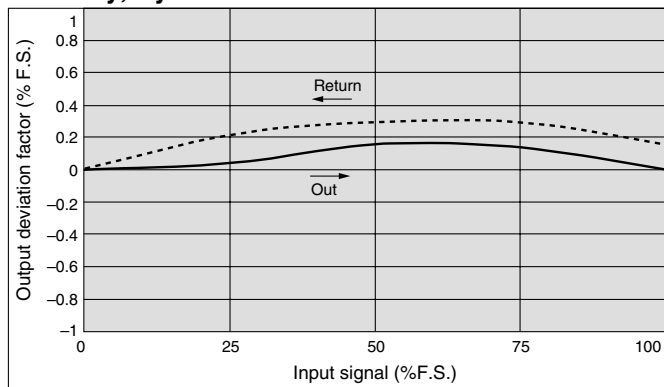
**Flow Characteristics**

Supply pressure: 0.2 MPa



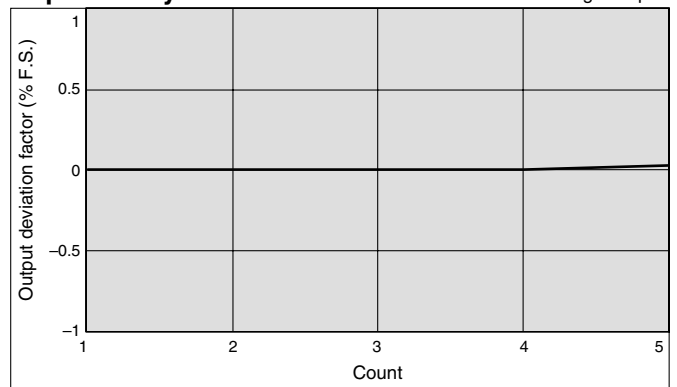
**Series ITV003** □

**Linearity, Hysteresis**



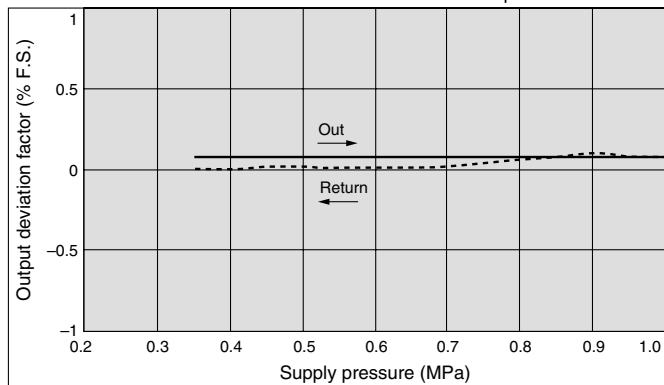
**Repeatability**

With 50% of signal input



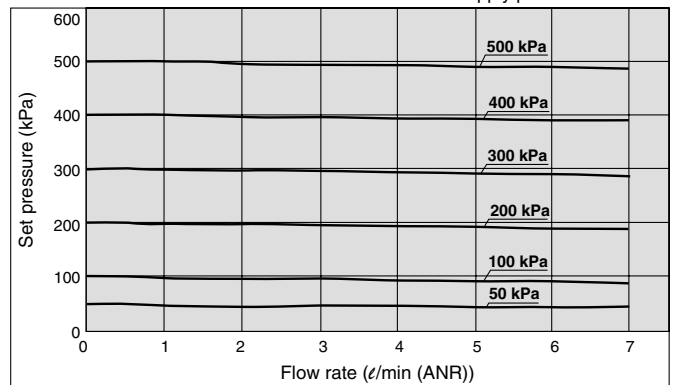
**Pressure Characteristics**

Set pressure: 0.25 MPa



**Flow Characteristics**

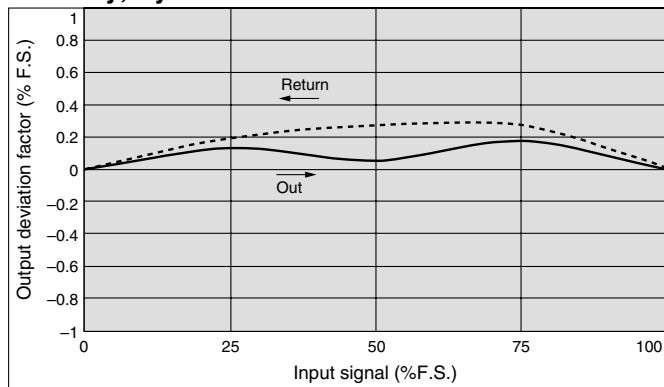
Supply pressure: 0.6 MPa



# Series ITV0000

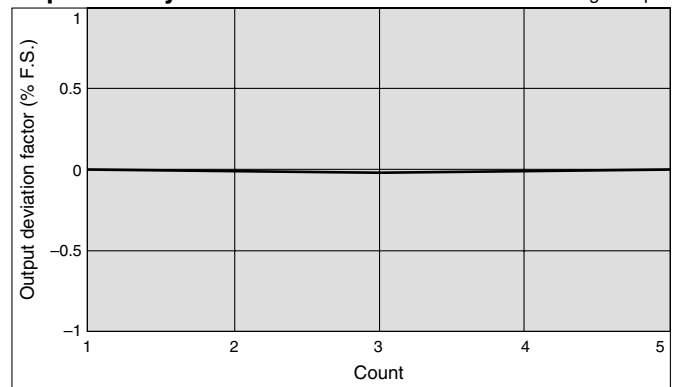
## Series ITV005

### Linearity, Hysteresis



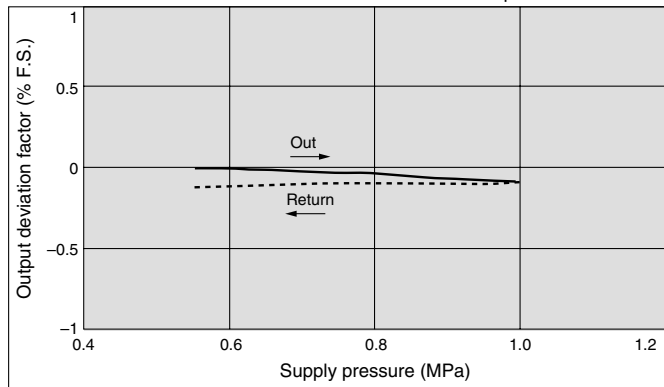
### Repeatability

With 50% of signal input



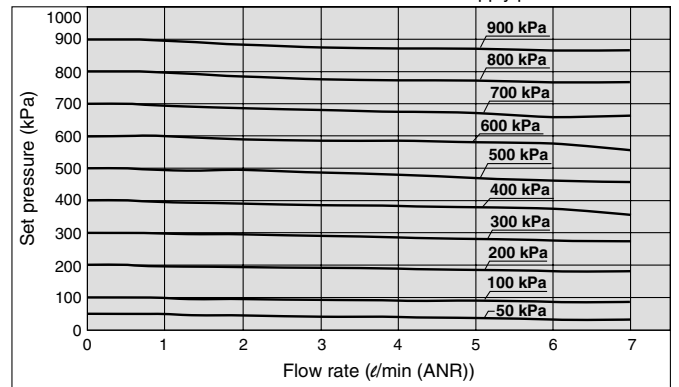
### Pressure Characteristics

Set pressure: 0.45 MPa



### Flow Characteristics

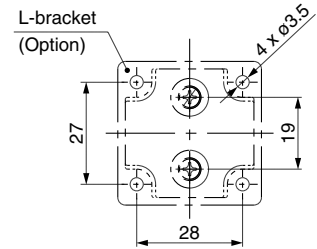
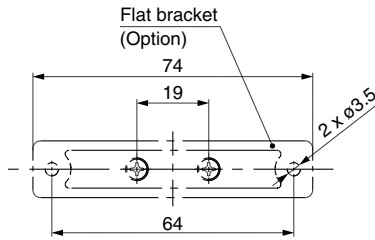
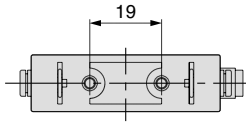
Supply pressure: 1.0 MPa





## Dimensions

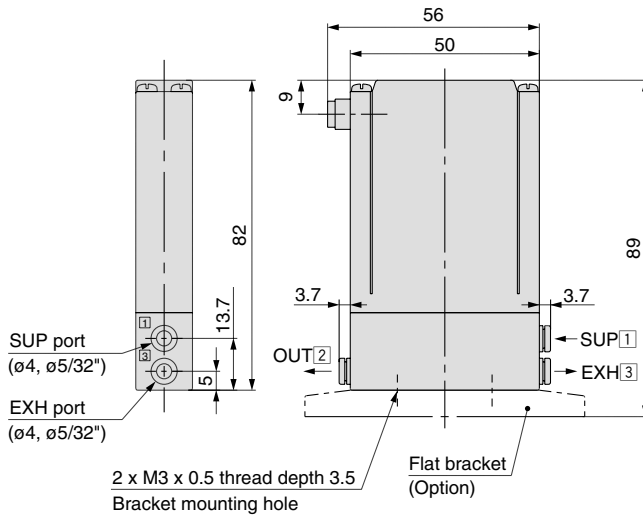
### For Single Unit



#### Port Location

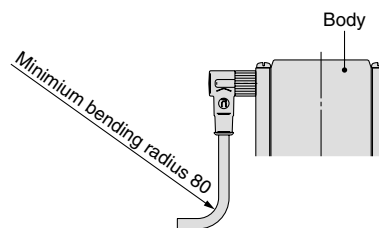
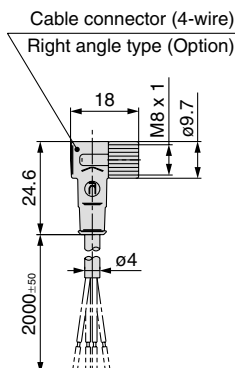
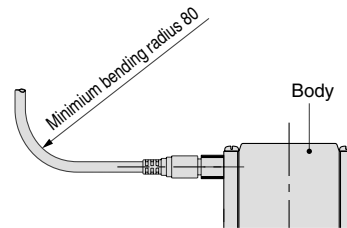
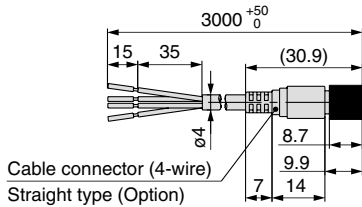
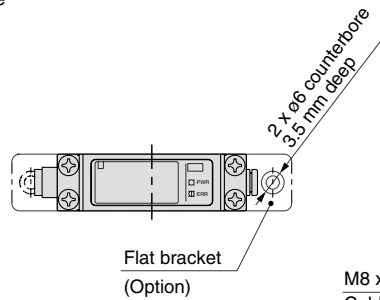
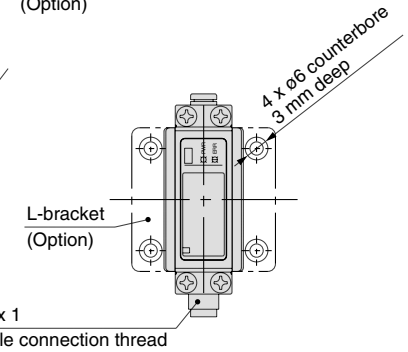
No.	1	2	3
ITV003	SUP	OUT	EXH
5			

Note) When using under the conditions equivalent to IP65, connect the fittings or tube to the breathing hole prior to use. (For details, refer to "Specific Product Precautions 1" on back page 3)



Note)  
Breathing hole (M3 x 0.5)  
OUT port (ø4, ø5/32")

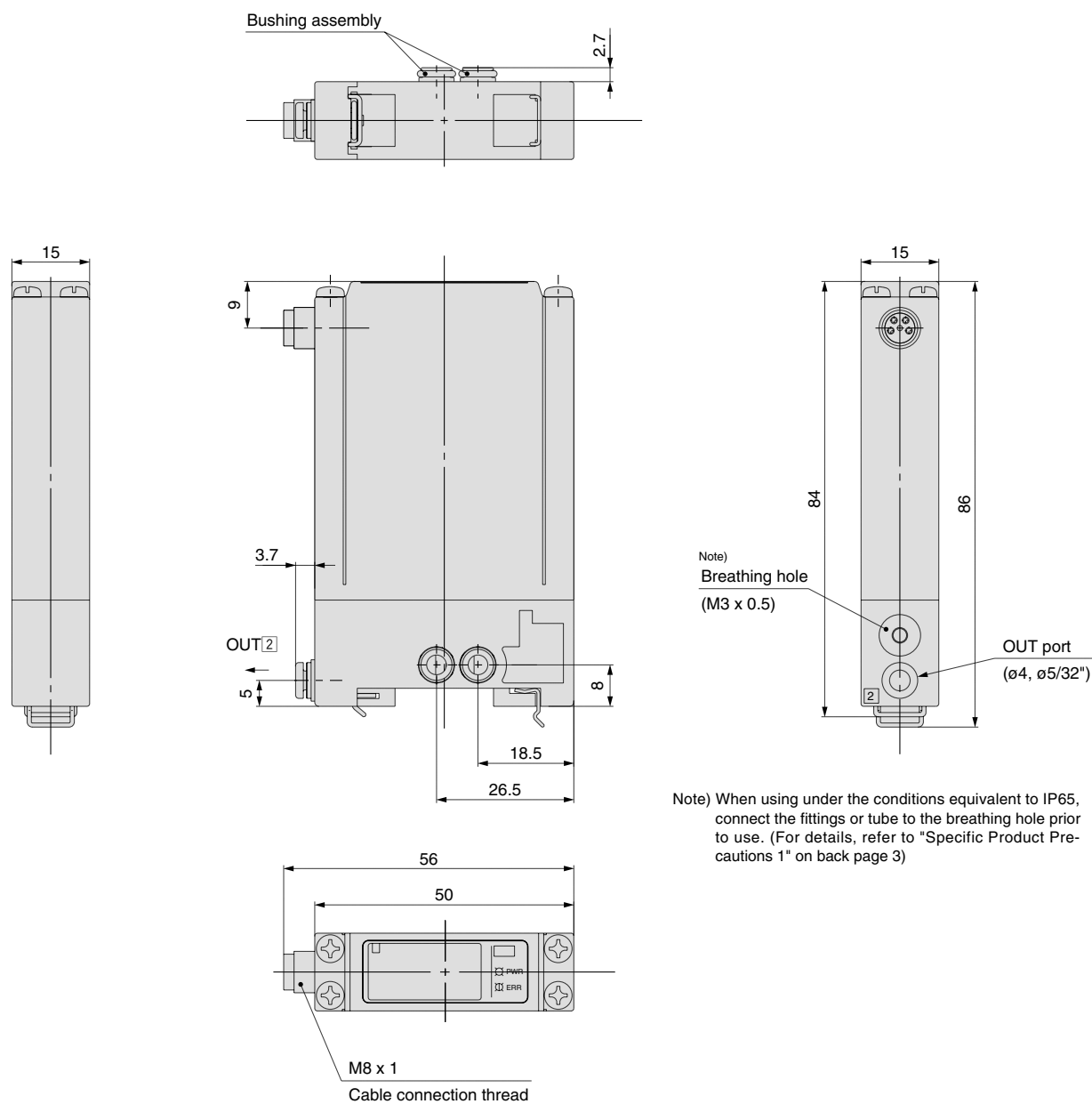
L-bracket (Option)



# Series ITV0000

## Dimensions

### Single unit for manifold

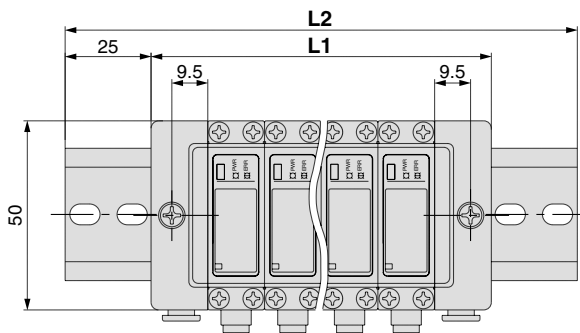
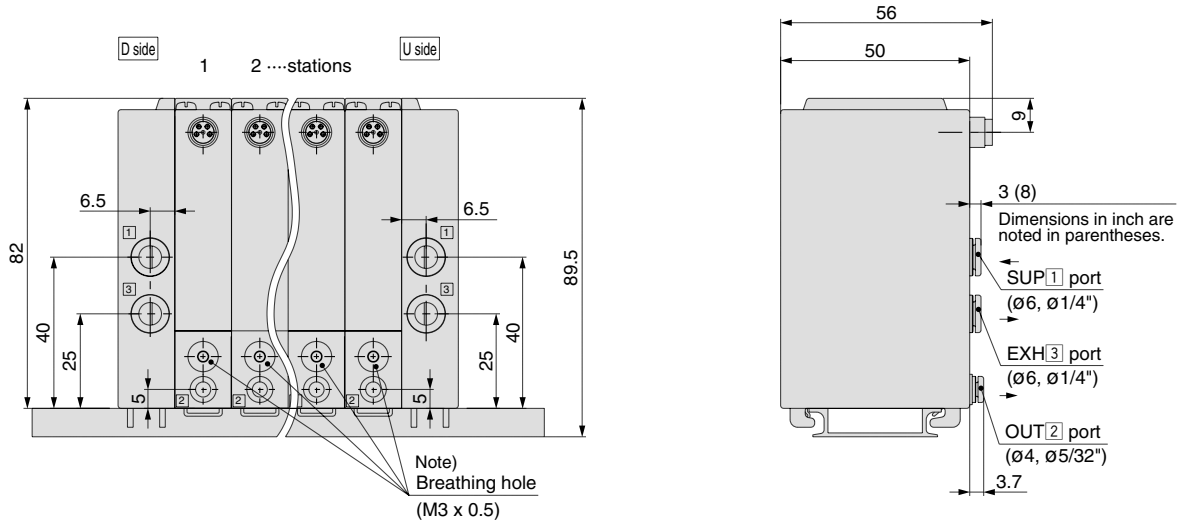


Note) When using under the conditions equivalent to IP65, connect the fittings or tube to the breathing hole prior to use. (For details, refer to "Specific Product Precautions 1" on back page 3)

Note) For dimensions of the cable connector, refer to single unit on page 6.

## Dimensions

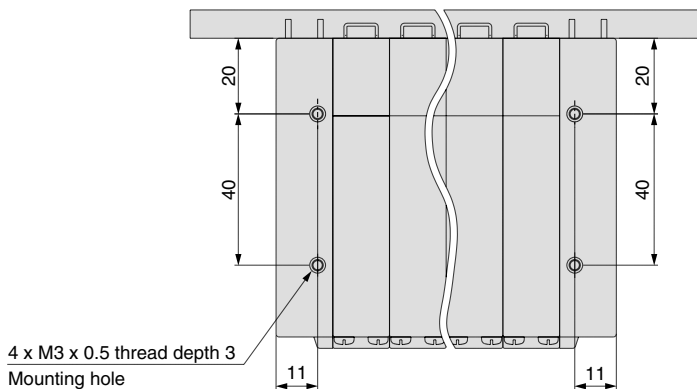
### Manifold



#### Port Location

No.	1	2	3
1	SUP	OUT	EXH
ITV003			
5			

Note) Stations are counted starting from the D side.



Note) For dimensions of the cable connector, refer to single unit on page 6.

Manifold stations n	2	3	4	5	6	7	8	9	10
L1	60	75	90	105	120	135	150	165	180
L2	110.5	123	148	160.5	173	185.5	198	223	235.5
Weight of DIN rail (g)	20	22	27	29	31	34	36	41	43

# Electro-Pneumatic Regulator

## Series *ITV1000/2000/3000*



### How to Order

**ITV 3 0 1 0 - 0 1 [ ] 2 [ ] S [ ] - [ ] - Q**

**Model**

1	1000 type
2	2000 type
3	3000 type

**Pressure range**

1	0.1 MPa
3	0.5 MPa
5	0.9 MPa

**Power supply voltage**

0	24 VDC
1	12 to 15 VDC

Note) Communication models are available only for 24 V DC

**Input signal**

0	Current type 4 to 20 mA (Sink type)
1	Current type 0 to 20 mA (Sink type)
2	Voltage type 0 to 5 VDC
3	Voltage type 0 to 10 VDC
4	Preset input
CC	CC-Link
DN	DeviceNet™
PR	PROFIBUS DP
RC	RS-232C communication

**Monitor output**

—	None (for communication models)
0	None (for preset input)
1	Analogue output 1 to 5V DC
2	Switch output/NPN output
3	Switch output/PNP output
4	Analog output 4 to 20 mA (Sink type)

**Thread type**

—	Rc
N	NPT
T	NPTF
F	G

**Port size**

1	1/8 (1000 type)
2	1/4 (1000, 2000, 3000 type)
3	3/8 (2000, 3000 type)
4	1/2 (3000 type)

**CE compliant**

Q	CE compliant
---	--------------

\* For detailed information on CE marked models, refer to SMC's website.

**Made to Order Specifications**  
See pages 11, 25, and 26 for details.

**Pressure display unit**

—	MPa
2 <sup>Note)</sup>	kgf/cm <sup>2</sup>
3	bar
4 <sup>Note)</sup>	psi
5	kPa

Note) Only for overseas sales (SI units are to be used inside Japan). No units are displayed on communication models.

**Cable connector type**

S	Straight type 3 m
L	Right angle type 3 m
N	Without cable connector

Note) Communication cable (other than RS-232C) should be obtained separately. See below.

**Bracket**

—	Without bracket
B	Flat bracket
C	L-bracket

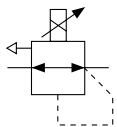
For communication cables, use the parts listed below (refer to the catalogue [M8/M12 Connector] CAT.EUS100-73-UK for details) or order the product certified for the respective protocol (with M12 connector) separately.

Application	Communication cable part number	Remarks
CC-Link compatibility	PCA-1567720 (Socket type)	Dedicated Bus adapter supplied with the product.
	PCA-1567717 (Plug type)	
DeviceNet™ compatibility	PCA-1557633 (Socket type)	T-branch connector not supplied.
	PCA-1557646 (Plug type)	
PROFIBUS DP compatibility	PCA-1557688 (Socket type)	T-branch connector not supplied.
	PCA-1557691 (Plug type)	

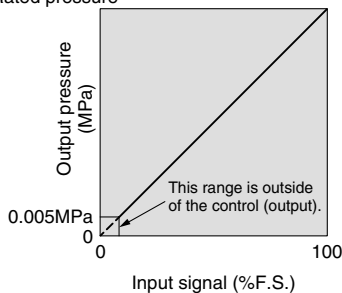
# Electro-Pneumatic Regulator *Series ITV1000/2000/3000*



## JIS Symbol



Rated pressure



Input/output characteristics chart

## Standard Specifications

Model	ITV101 <input type="checkbox"/> <sup>Note 10)</sup>	ITV103 <input type="checkbox"/> <sup>Note 10)</sup>	ITV105 <input type="checkbox"/> <sup>Note 10)</sup>
	ITV201 <input type="checkbox"/>	ITV203 <input type="checkbox"/>	ITV205 <input type="checkbox"/>
	ITV301 <input type="checkbox"/>	ITV303 <input type="checkbox"/>	ITV305 <input type="checkbox"/>
Minimum supply pressure	Set pressure +0.1 MPa		
Maximum supply pressure	0.2 MPa	1.0 MPa	
Set pressure range <sup>Note 1)</sup>	0.005 to 0.1 MPa	0.005 to 0.5 MPa	0.005 to 0.9 MPa
Power supply	Voltage	24 VDC $\pm$ 10%, 12 to 15 VDC	
	Current consumption	Power supply voltage 24 VDC type: 0.12 A or less Power supply voltage 12 to 15 VDC type: 0.18 A or less	
Input signal	Current type <sup>Note 2)</sup>	4 to 20 mA, 0 to 20 mA (Sink type)	
	Voltage type	0 to 5 VDC, 0 to 10 VDC	
Input impedance	Preset input	4 points	
	Current type	250 $\Omega$ or less <sup>Note 6)</sup>	
	Voltage type	Approx. 6.5 k $\Omega$	
Output signal <sup>Note 3)</sup> (monitor output)	Analogue output	1 to 5 VDC (Load impedance: 1 k $\Omega$ or more) 4 to 20 mA (Sink type) (Load impedance: 250 $\Omega$ or less) Output accuracy within $\pm$ 6% (Full span)	
	Switch output	NPN open collector output: Max. 30 V, 30 mA PNP open collector output: Max. 30 mA	
Linearity	Within $\pm$ 1% (Full span)		
Hysteresis	Within 0.5% (Full span)		
Repeatability	Within $\pm$ 0.5% (Full span)		
Sensitivity	Within 0.2% (Full span)		
Temperature characteristics	Within $\pm$ 0.12% (Full span)/ $^{\circ}$ C		
Output pressure display <sup>Note 4)</sup>	Accuracy	$\pm$ 3% (Full span)	
	Minimum unit	MPa: 0.01, kgf/cm $^2$ : 0.01, bar: 0.01, PSI: 0.1 <sup>Note 5)</sup> , kPa: 1	
Ambient and fluid temperature	0 to 50 $^{\circ}$ C (No condensation)		
Enclosure	IP65		
Weight <sup>Note 9)</sup>	ITV10 <input type="checkbox"/>	Approx. 250 g (without options)	
	ITV20 <input type="checkbox"/>	Approx. 350 g (without options)	
	ITV30 <input type="checkbox"/>	Approx. 645 g (without options)	

Note 1) Please refer to Figure 1 for the relationship between set pressure and input. Because the maximum set pressure differs for each pressure display, refer to Appendix 7.

Additionally, refer to page 18 for the set pressure range by units of standard measured pressure. Additionally, refer to page 18 as maximum set pressure differs on unit of standard measure.

Note 2) 2-wire type 4 to 20 mA is not available. Power supply voltage (24 VDC or 12 to 15 VDC) is required.

Note 3) Select either analogue output or switch output.

Further, when switch output is selected, select either NPN output or PNP output.

Note 4) Adjustment of numerical values such as the zero/span adjustment or preset input type is set based on the minimum units for output pressure display (e.g. 0.01 to 0.50 MPa). Note that the unit cannot be changed.

Note 5) The minimum unit for 0.9 MPa (130 psi) types is 1 psi.

Note 6) Value for the state with no over current circuit included. If an allowance is provided for an over current circuit, the input impedance varies depending on the input current. This is 350  $\Omega$  or less for an input current of 20 mA DC.

Note 7) The above characteristics are confined to the static state. When air is consumed on the output side, the pressure may fluctuate.

Note 8) For communication models, the maximum current consumption is 0.16 A or less.

Note 9) For communication models, add roughly 80 g to the weight (100 g for the PROFIBUS DP).

Note 10) The ITV1000 series is a non-grease model (Wetted parts).

## Communication Specifications

Model	ITV□□□0-CC	ITV□□□0-DN	ITV□□□0-PR	ITV□□□0-RC
Protocol	CC-Link	DeviceNet™	PROFIBUS DP	RS-232C
Version <sup>Note 1)</sup>	Ver 1.10	Release2.0	DP-V0	—
Communication speed	156 k/625 k 2.5 M/5 M/10 M bps	125 k/250 k/500 k bps	9.6 k/19.2 k/45.45 k 93.75 k/187.5 k/500 k 1.5 M/3 M/6 M/12 M bps	9.6 kbps
Configuration file <sup>Note 2)</sup>	—	EDS	GSD	—
I/O occupation area (input/output data)	4 word/4 word, 32 bit/32 bit (per station, remote device station)	16 bit/16 bit	16 bit/16 bit	—
Communication data resolution	12 bit (4096 resolution)	12 bit (4096 resolution)	12 bit (4096 resolution)	10 bit (1024 resolution)
Fail safe <sup>Note 4)</sup>	HOLD <sup>Note 3)</sup> /CLEAR (Switch setting)	HOLD/CLEAR (Switch setting)	CLEAR	HOLD
Terminating resistance	—	—	Built into the product (Switch setting)	—

Note 1) Note that this version information is subject to change.

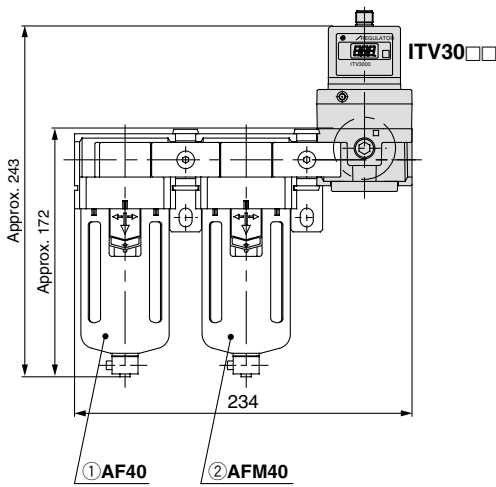
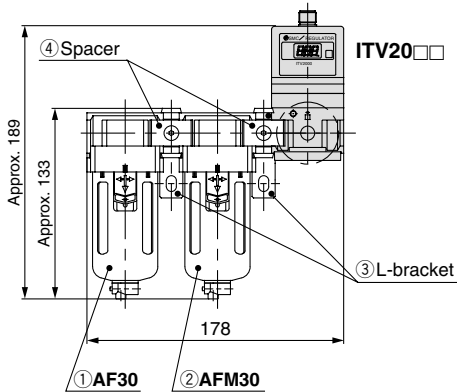
Note 2) Configuration files can be downloaded from SMC's website: <http://www.smc.eu>

Note 3) The output HOLD value when a CC-Link communications error occurs can be set based on the bit area data.

Note 4) It shows the insulation between electric signal for communication and the ITV supply power.

# Series ITV1000/2000/3000

○ Standard specifications    
 ○ Combination possible    
  Combination not possible



## Combinations

\* ITV1000 models are not applicable.

Specifications	Symbol	Applicable model		
		ITV2000	ITV3000	
Standard specifications	Set pressure max. 0.1 MPa	1	○	○
	Set pressure max. 0.5 MPa	3	○	○
	Set pressure max. 0.9 MPa	5	○	○
	Connection Rc 1/4	02	○	○
	Connection Rc 3/8	03	○	○
Connection Rc 1/2	04		○	
Accessories	Bracket	B	○	○
	Bracket	C	○	○
Optional specifications	Connection NPT1/4	N02	○	○
	Connection NPT3/8	N03	○	○
	Connection NPT1/2	N04		○
	Connection G 1/4	F02	○	○
	Connection G 3/8	F03	○	○
	Connection G 1/2	F04		○

## Modular Products and Accessory Combinations

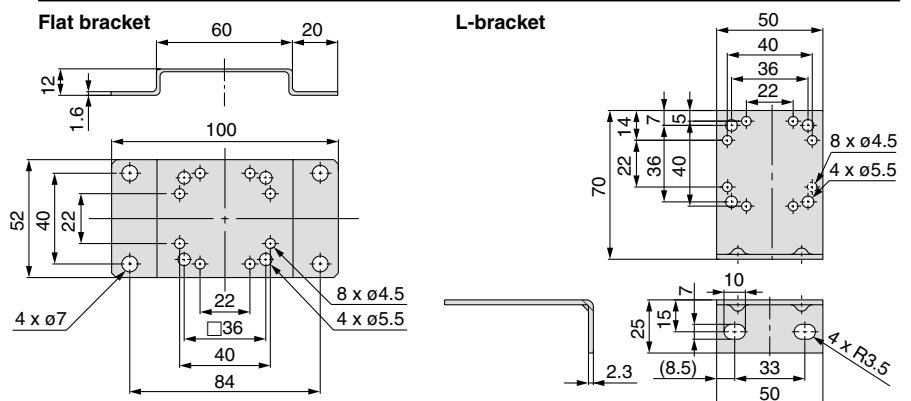
\* ITV1000 models are not applicable.

Applicable products and accessories	Applicable model	
	ITV2000	ITV3000
① Air filter	AF30	AF40
② Mist separator	AFM30	AFM40
③ L-bracket	B310L	B410L
④ Spacer	Y30	Y40
⑤ Spacer with L-bracket (③ + ④)	Y30L	Y40L
⑥ Spacer with T-bracket	—	Y40T

## Accessory (Option)/Part No.

Description	Part No.		
	ITV1000	ITV2000	ITV3000
Flat bracket assembly (including mounting screws)	KT-ITV-F1	KT-ITV-F2	
L-bracket assembly (including mounting screws)	KT-ITV-L1	KT-ITV-L2	
Power cable connector	ITV□□-□□-Q	Straight type 3 m	P398010-12
		Right angle type 3 m	P398010-13
	ITV□□-PR-Q	Straight type 3 m	P398020-500-3
	ITV□□-RC-Q	Right angle type 3 m	P398020-501-3
	ITV□□-DN-Q	Straight type 3 m	P398020-504-3
		Right angle type 3 m	P398020-505-3
ITV□□-CC-Q	Straight type 3 m	P398020-500-3	
	Right angle type 3 m	P398020-501-3	
Bus adapter (CC-Link model only)	EX9-ACY00-MJ		

## Dimensions



### Made to Order

(Refer to pages 25 and 26 for details.)

Symbol	CE-compliant	Specifications
X156	Compliant	16 points preset input type
X157	Compliant	Digital input type
X321	Compliant	Reverse type
X322	Compliant	High pressure type (SUP 1.2 MPa, OUT 1.0 MPa)
X323	Compliant	Set pressure range 1 to 100 kPa (Except Series ITV3000)
X154	Compliant	High speed response type (Except Series ITV3000)
X153	Compliant	For manifold mounting (Except Series ITV3000)

Note 1) Manifolds are compatible with 2 to 8 stations. Consult with SMC for 9 stations or more.

Note 2) Products without symbols are also compatible. Consult with SMC separately.

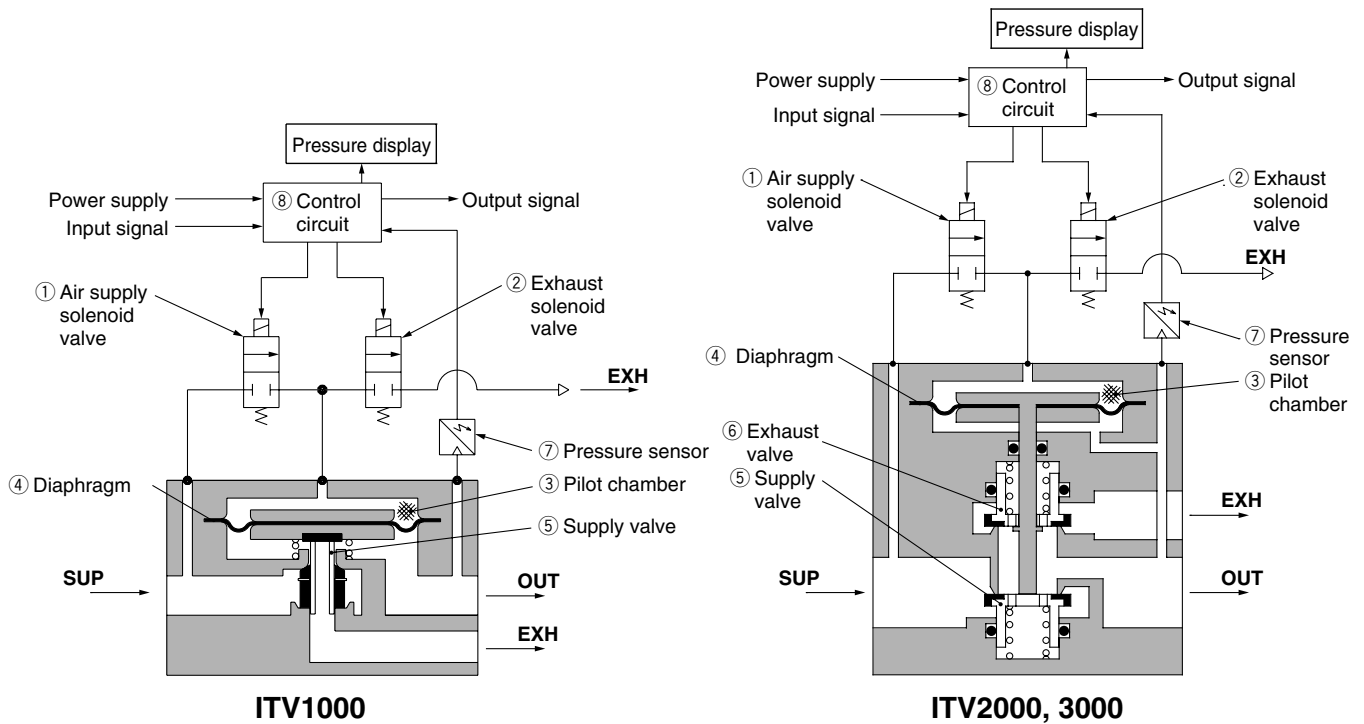
## Working Principles

When the input signal rises, the air supply solenoid valve ① turns ON, and the exhaust solenoid valve ② turns OFF. Therefore, supply pressure passes through the air supply solenoid valve ① and is applied to the pilot chamber ③. The pressure in the pilot chamber ③ increases and operates on the upper surface of the diaphragm ④.

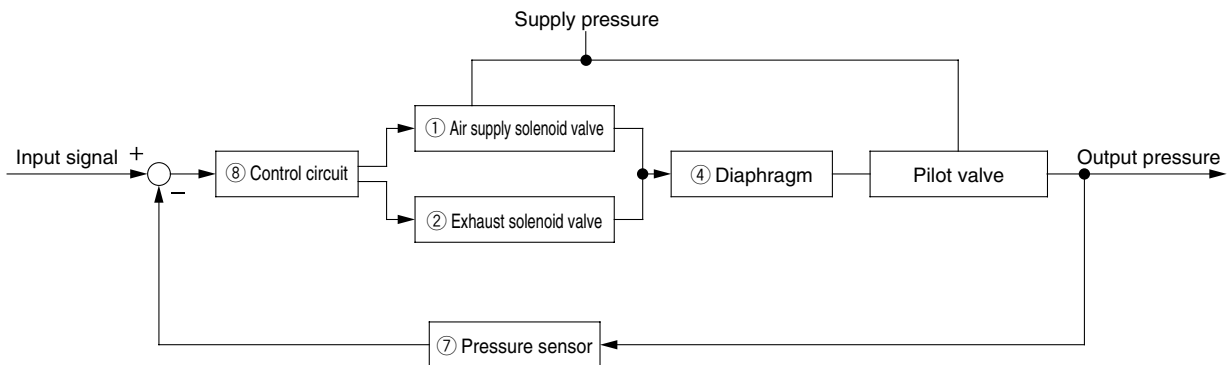
As a result, the air supply valve ⑤ linked to the diaphragm ④ opens, and a portion of the supply pressure becomes output pressure.

This output pressure feeds back to the control circuit ⑧ via the pressure sensor ⑦. Here, a correct operation functions until the output pressure is proportional to the input signal, making possible to obtain output pressure proportional to the input signal always.

### Working Principle Diagram



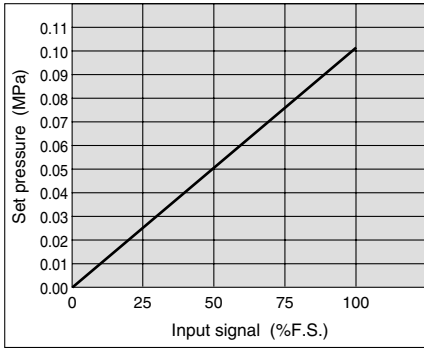
### Block diagram



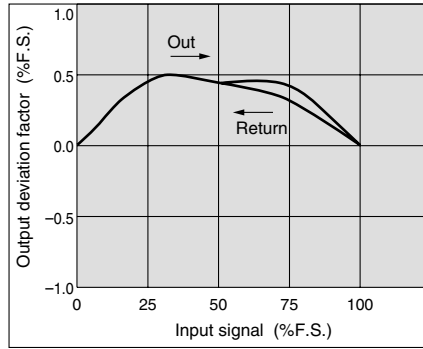
# Series ITV1000/2000/3000

## Series ITV101

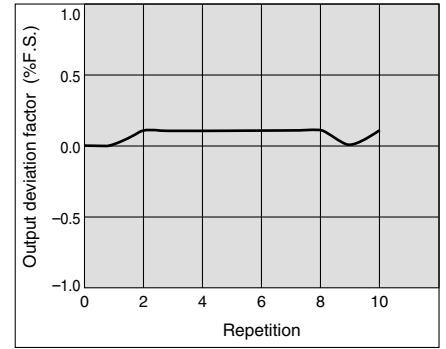
### Linearity



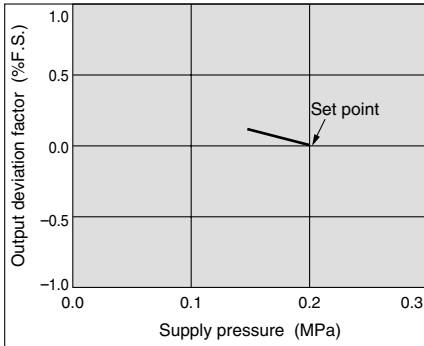
### Hysteresis



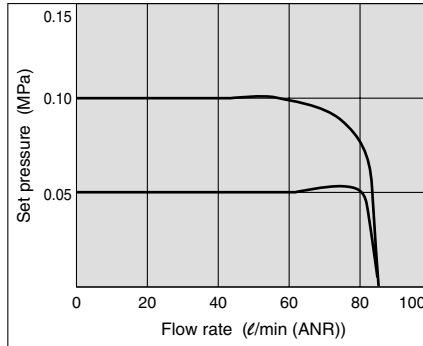
### Repeatability



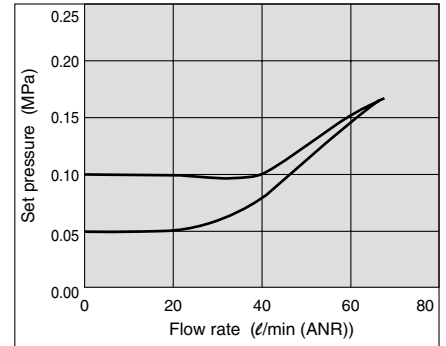
### Pressure characteristics Set pressure: 0.05 MPa



### Flow characteristics Supply pressure: 0.2 MPa

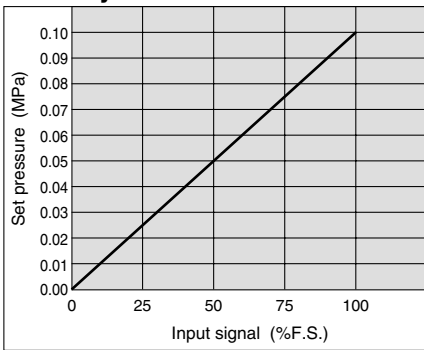


### Relief flow characteristics Supply pressure: 0.2 MPa

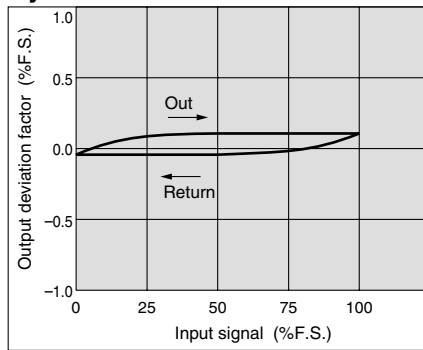


## Series ITV201

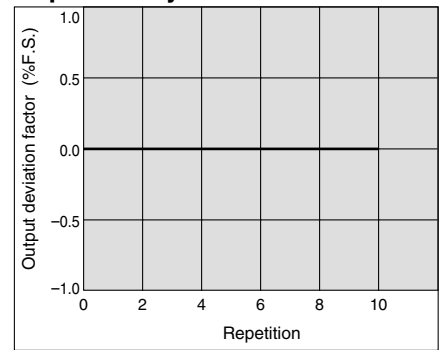
### Linearity



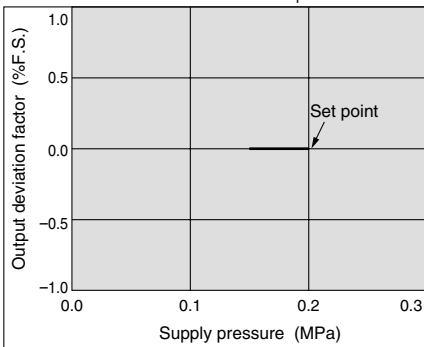
### Hysteresis



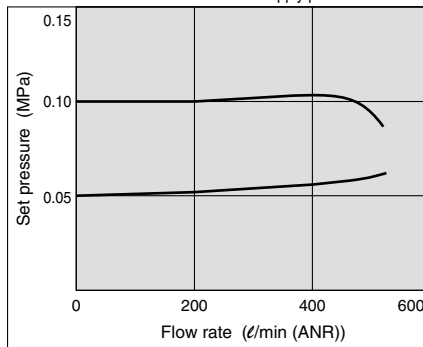
### Repeatability



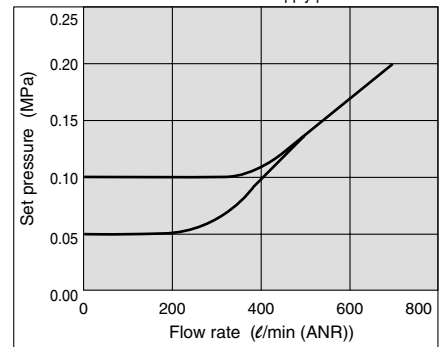
### Pressure characteristics Set pressure: 0.05 MPa



### Flow characteristics Supply pressure: 0.2 MPa



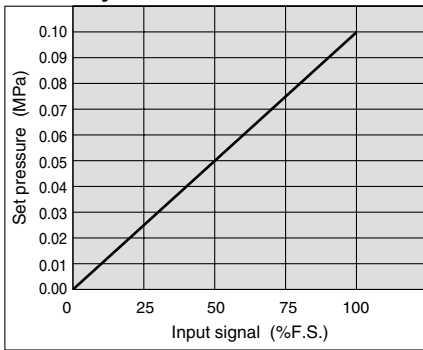
### Relief flow characteristics Supply pressure: 0.2 MPa



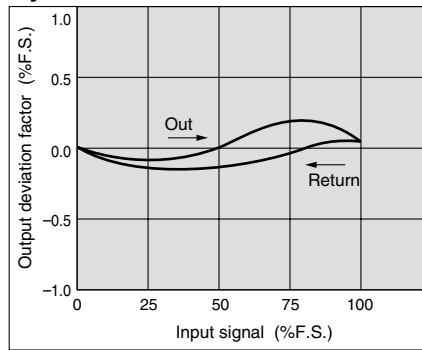


## Series ITV301

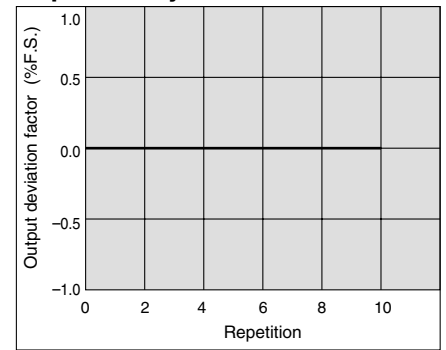
### Linearity



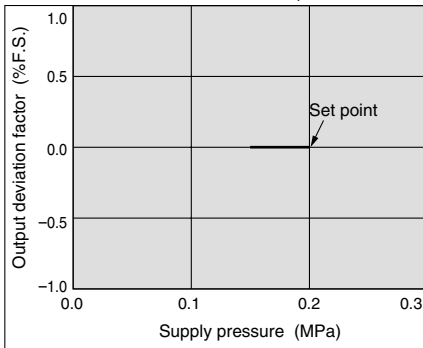
### Hysteresis



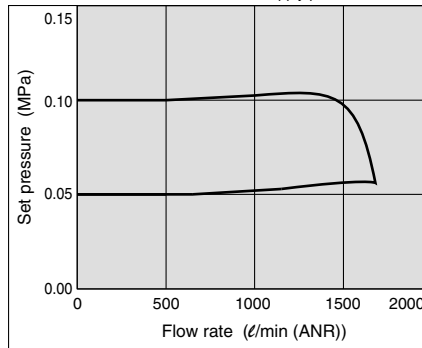
### Repeatability



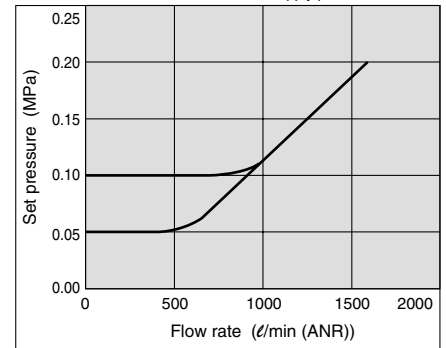
### Pressure characteristics Set pressure: 0.05 MPa



### Flow characteristics Supply pressure: 0.2 MPa



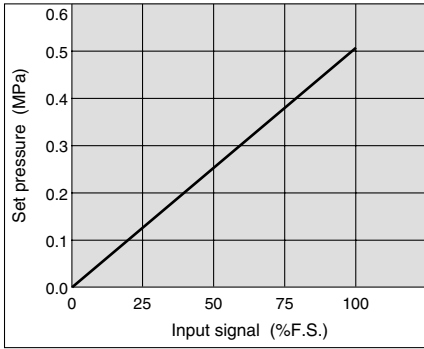
### Relief flow characteristics Supply pressure: 0.2 MPa



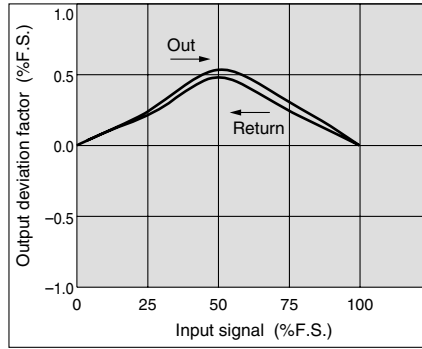
# Series ITV1000/2000/3000

## Series ITV103

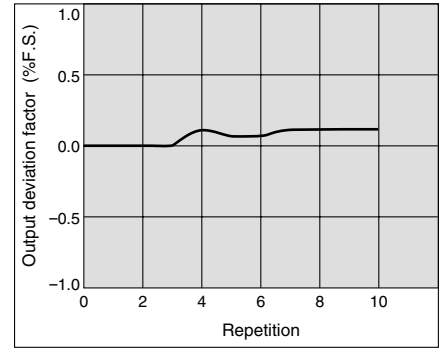
### Linearity



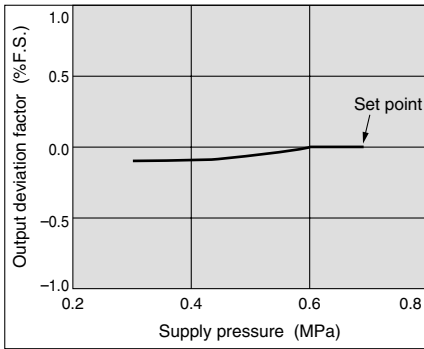
### Hysteresis



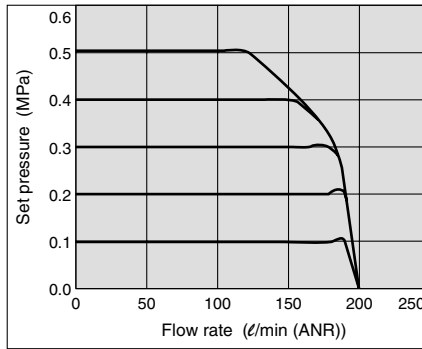
### Repeatability



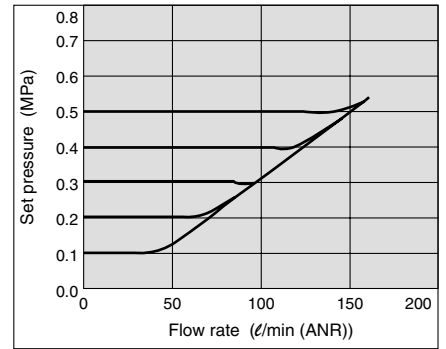
### Pressure characteristics Set pressure: 0.2 MPa



### Flow characteristics Supply pressure: 0.7 MPa

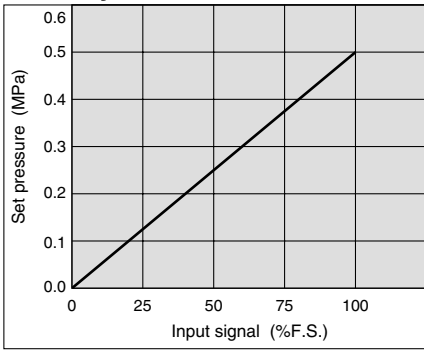


### Relief flow characteristics Supply pressure: 0.7 MPa

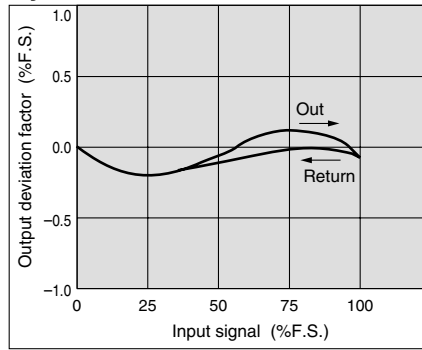


## Series ITV203

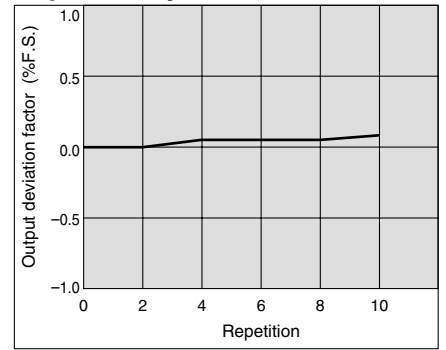
### Linearity



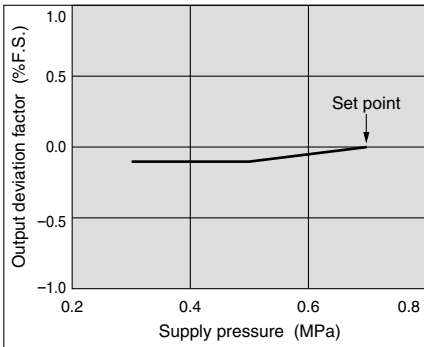
### Hysteresis



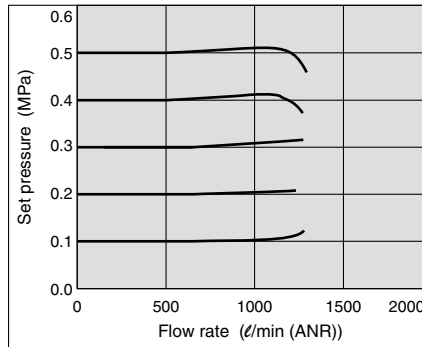
### Repeatability



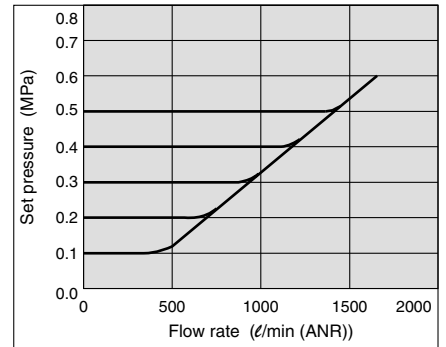
### Pressure characteristics Set pressure: 0.2 MPa



### Flow characteristics Supply pressure: 0.7 MPa

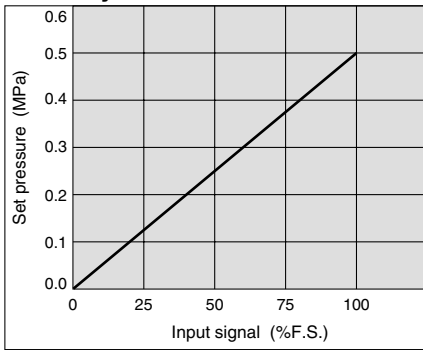


### Relief flow characteristics Supply pressure: 0.7 MPa

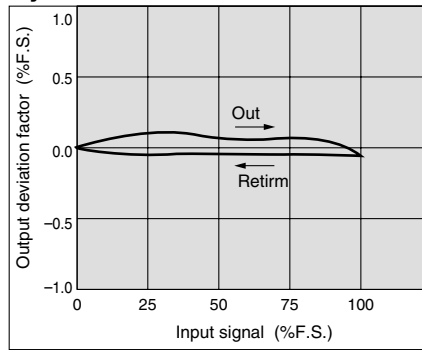


## Series ITV303

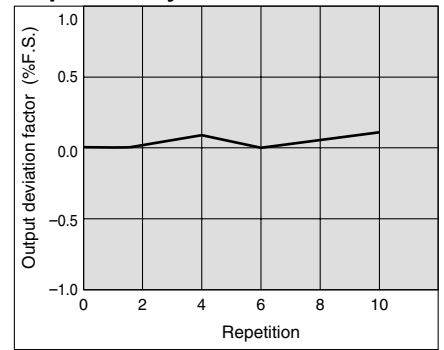
### Linearity



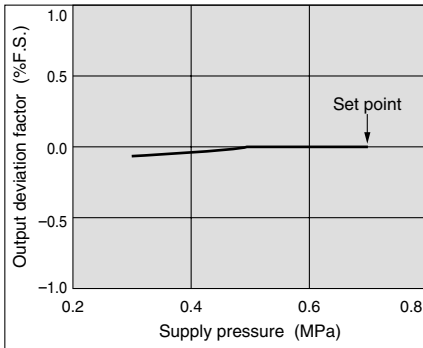
### Hysteresis



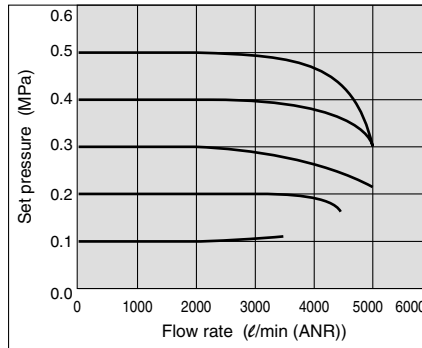
### Repeatability



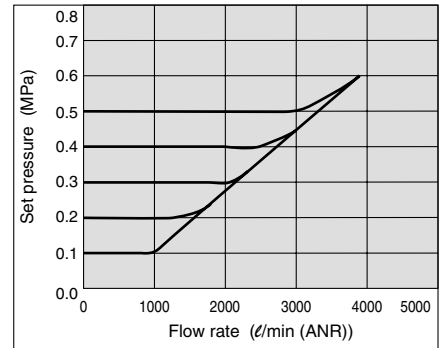
### Pressure characteristics Set pressure: 0.2 MPa



### Flow characteristics Supply pressure: 0.7 MPa



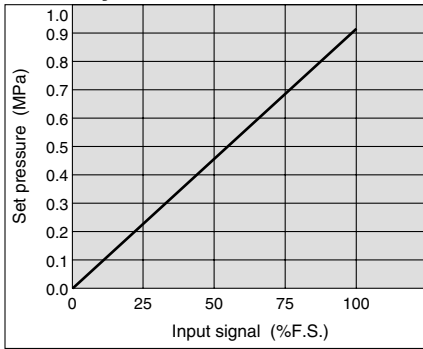
### Relief flow characteristics Supply pressure: 0.7 MPa



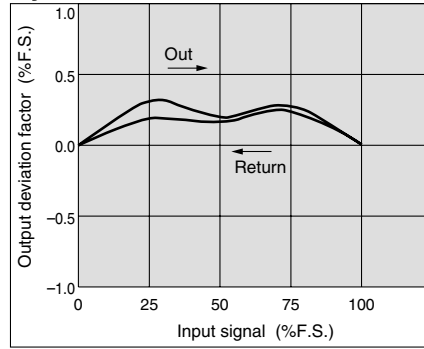
# Series ITV1000/2000/3000

## Series ITV105

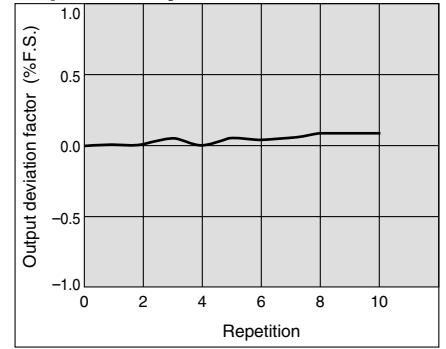
### Linearity



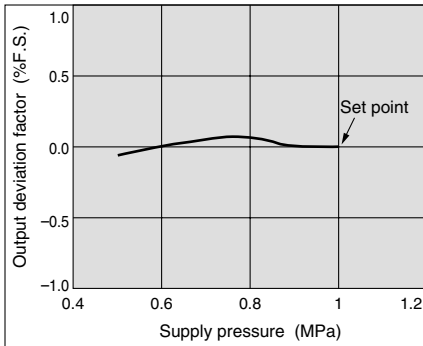
### Hysteresis



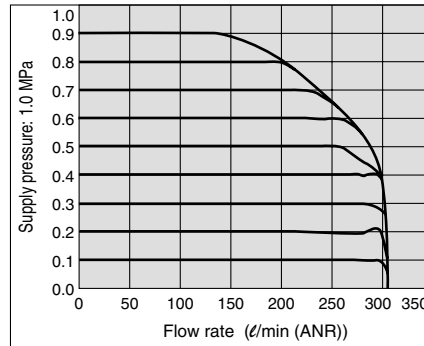
### Repeatability



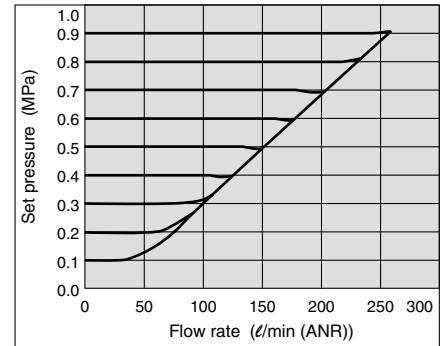
### Pressure characteristics Set pressure: 0.4 MPa



### Flow characteristics Supply pressure: 1.0 MPa

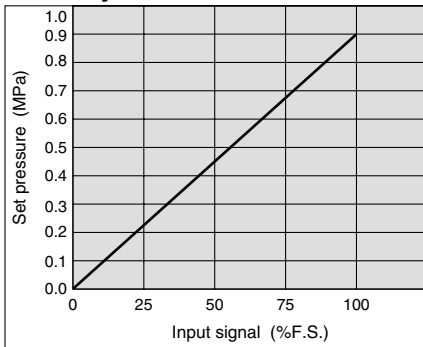


### Relief flow characteristics Supply pressure: 1.0 MPa

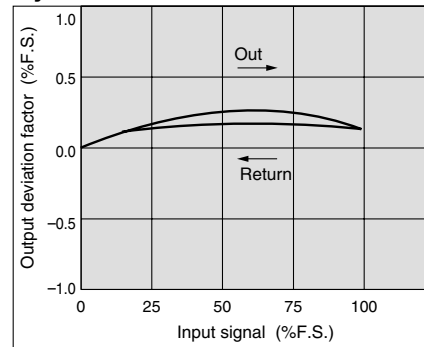


## Series ITV205

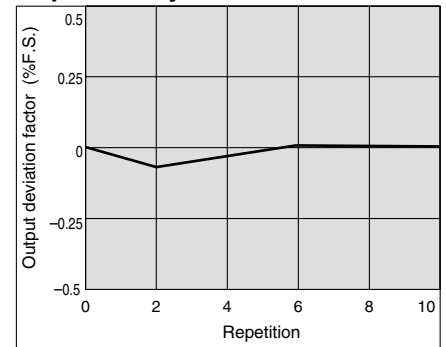
### Linearity



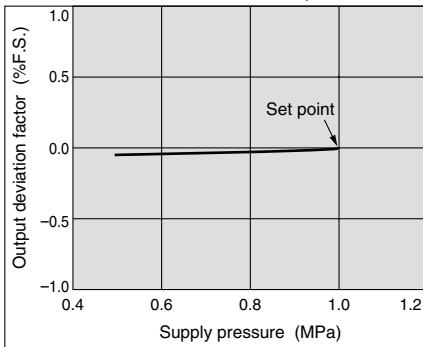
### Hysteresis



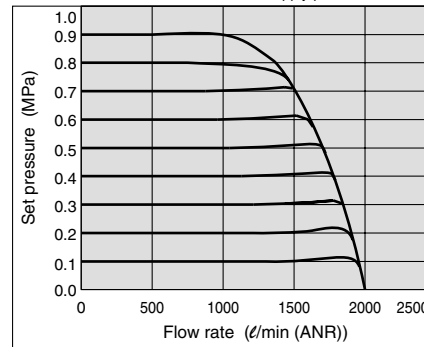
### Repeatability



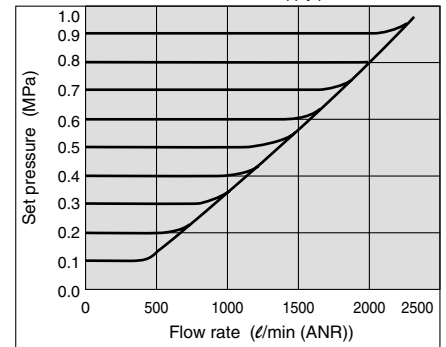
### Pressure characteristics Set pressure: 0.4 MPa



### Flow characteristics Supply pressure: 1.0 MPa

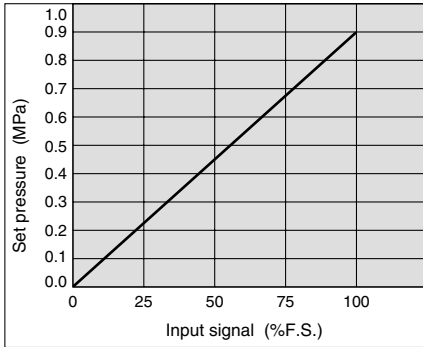


### Relief flow characteristics Supply pressure: 1.0 MPa

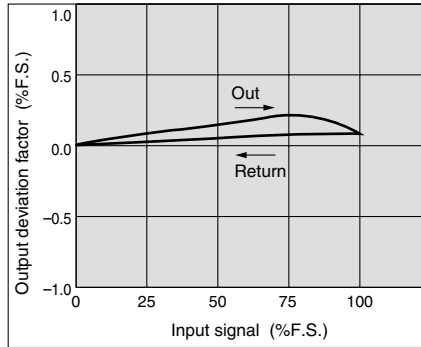


## Series ITV305

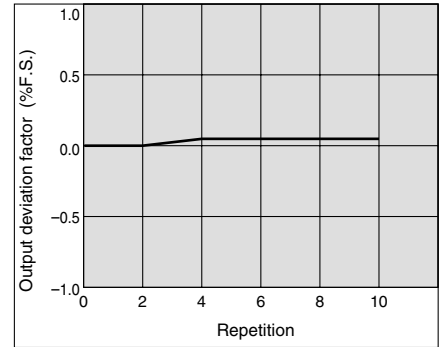
### Linearity



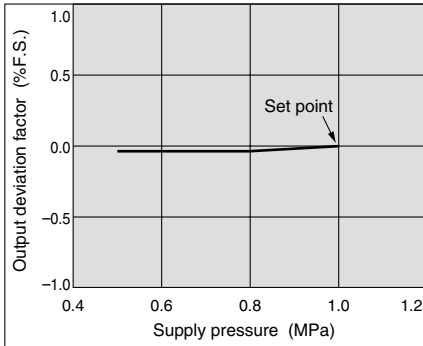
### Hysteresis



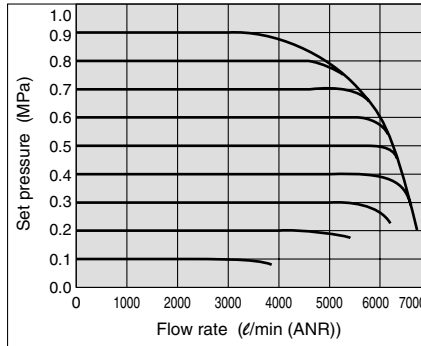
### Repeatability



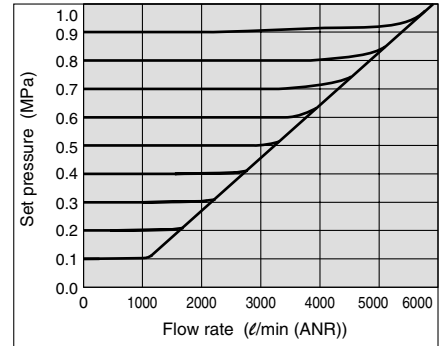
### Pressure characteristics Set pressure: 0.4 MPa



### Flow characteristics Supply pressure: 1.0 MPa



### Relief flow characteristics Supply pressure: 1.0 MPa

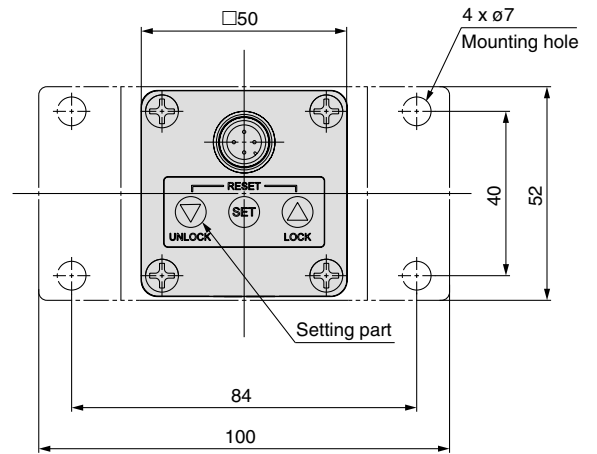
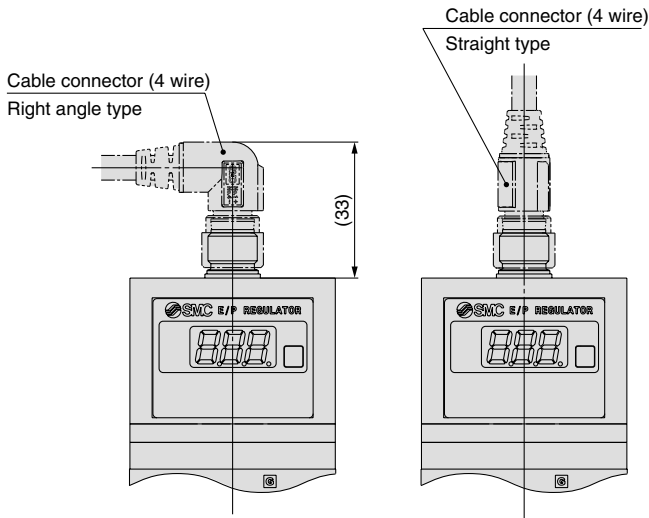
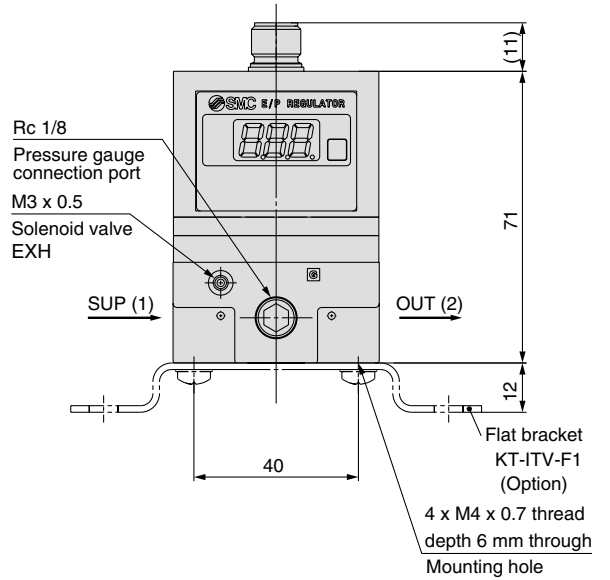
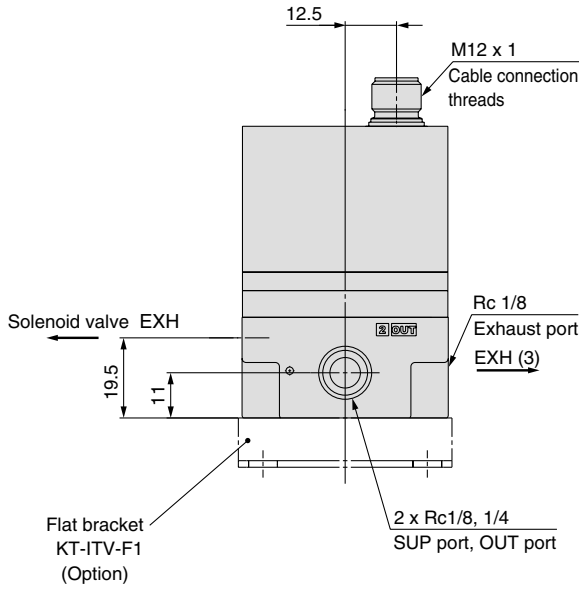


# Series ITV1000/2000/3000

## Dimensions

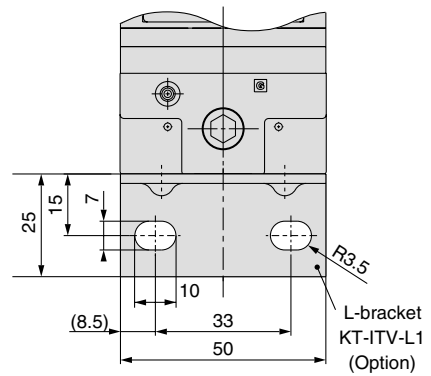
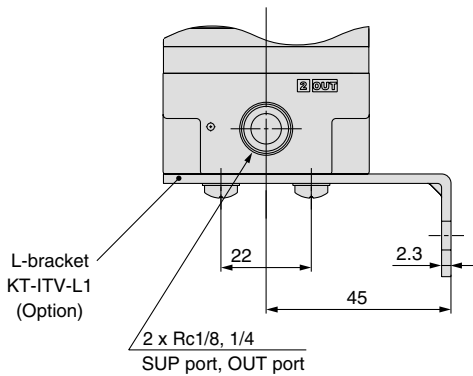
ITV10□□

Flat bracket



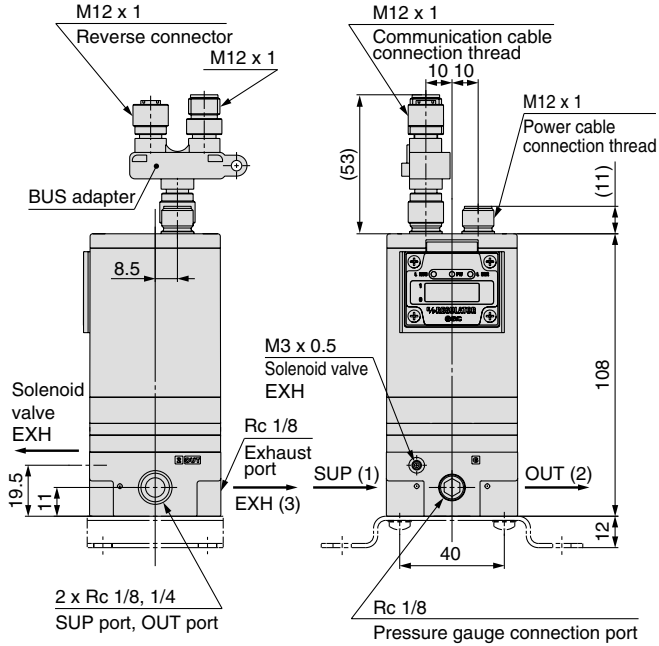
Note) Do not attempt to rotate, as the cable connector does not turn.

L-bracket



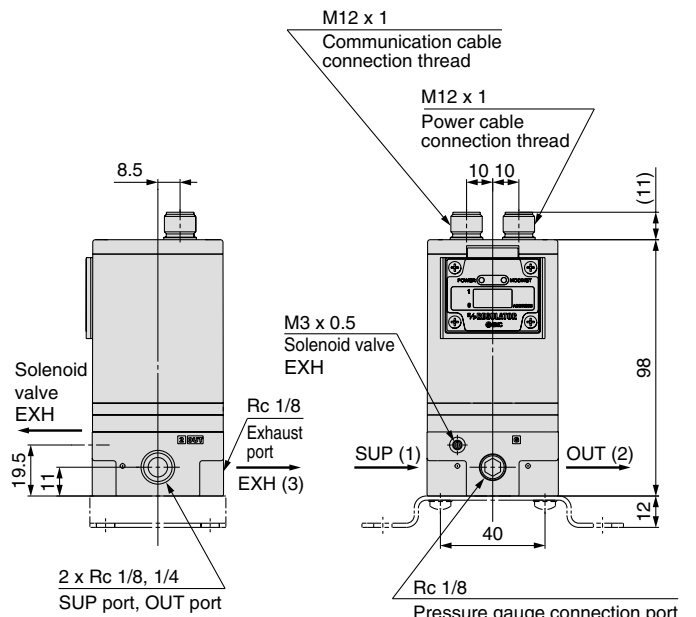
## Dimensions (CC-Link, DeviceNet™, PROFIBUS DP and RS-232C)

### CC-Link/ITV10□0-CC



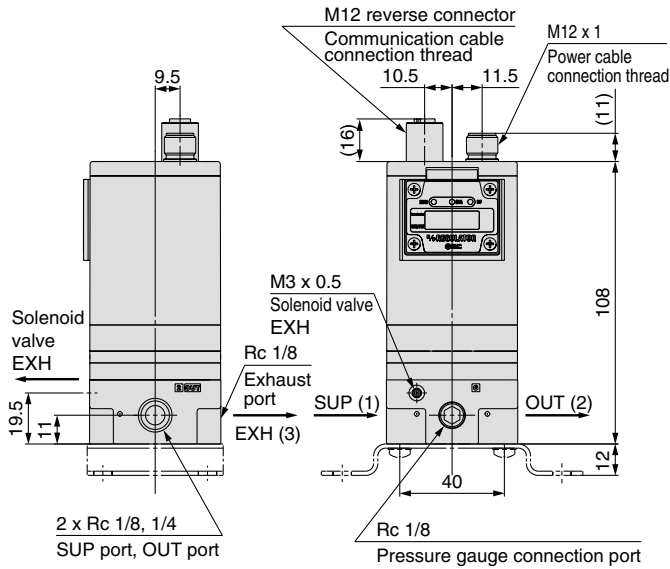
\* Dimensions not shown are as on P.19.

### DeviceNet™/ITV10□0-DN



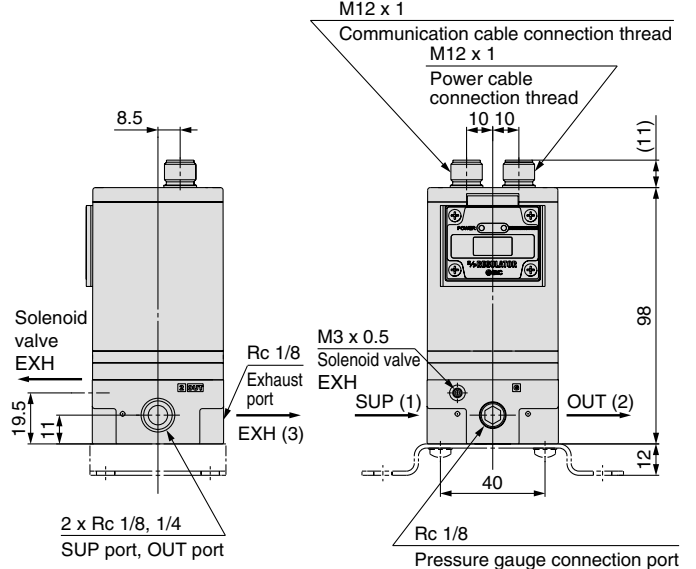
\* Dimensions not shown are as on P.19.

### PROFIBUS DP/ITV10□0-PR



\* Dimensions not shown are as on P.19.

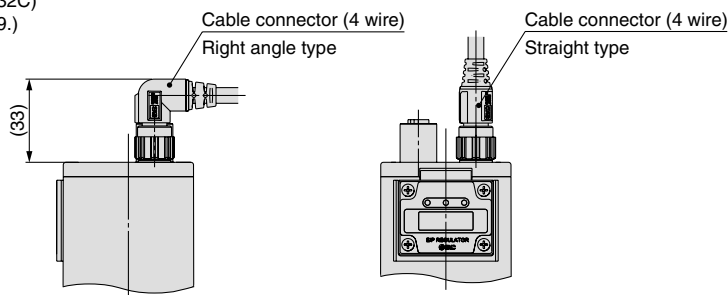
### RS-232C/ITV10□0-RC



\* Dimensions not shown are as on P.19.

## With power cable connector \* ITV10□0-CC, DN, PR, RC common dimensions

Note) Communication cable (other than RS-232C) should be obtained separately. (See P.9.)



Note) Do not attempt to rotate, as the cable connector does not turn.

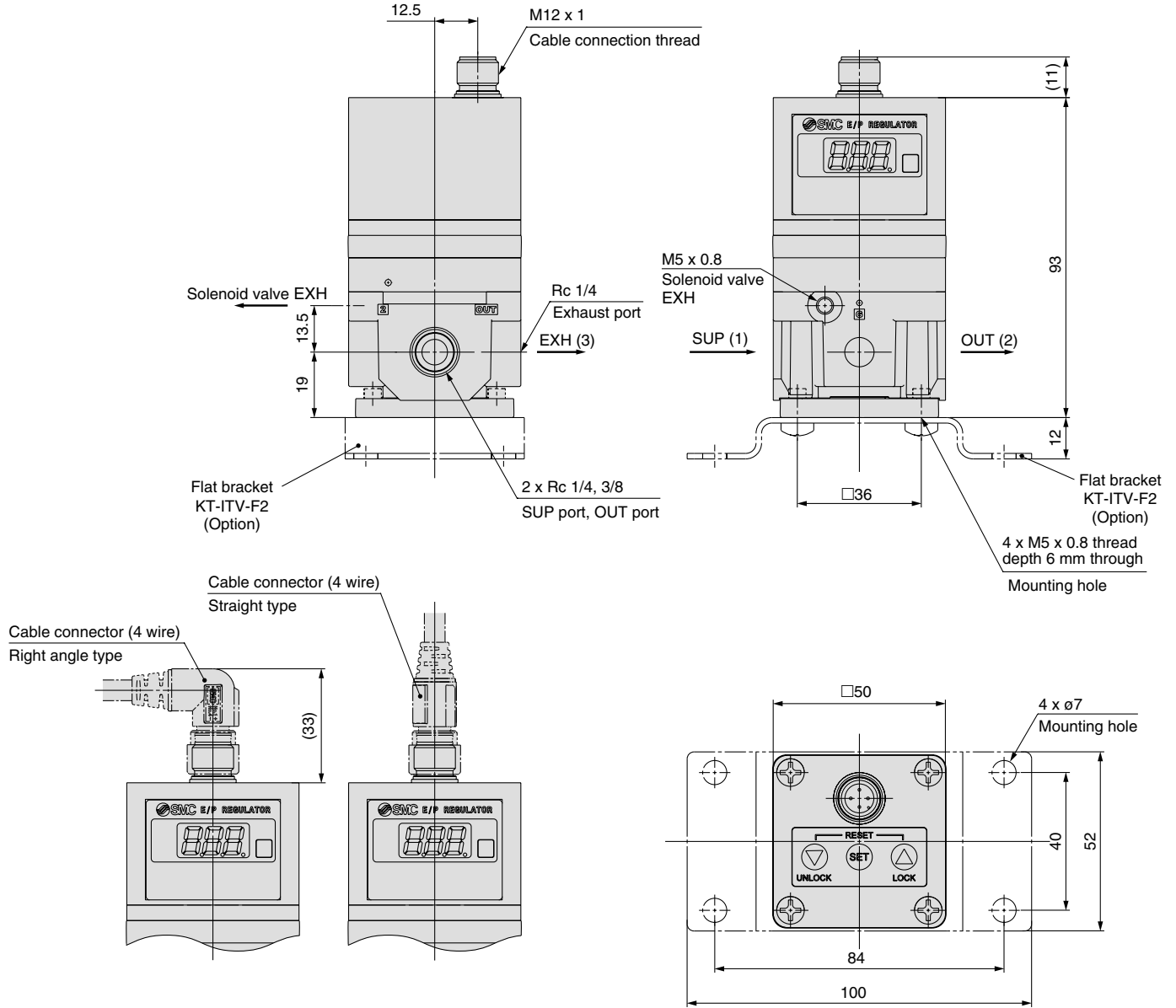
# Series ITV1000/2000/3000

## Dimensions

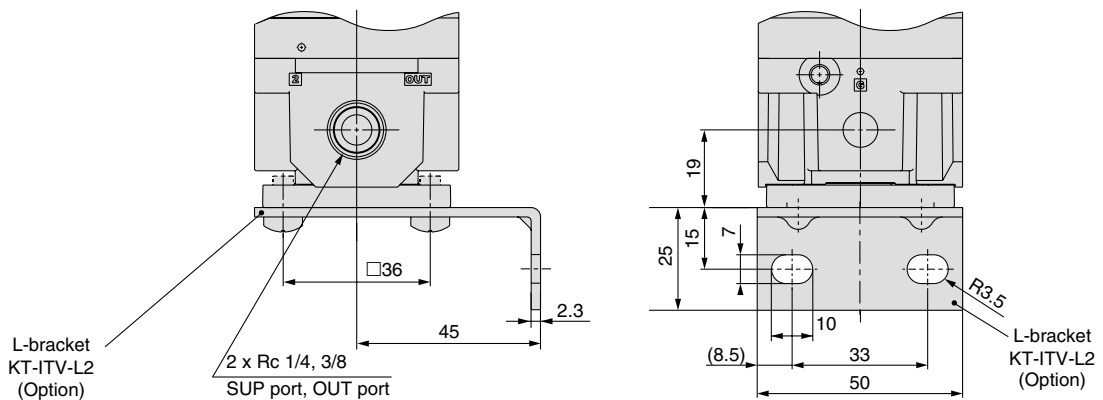
ITV20□□

Flat bracket

Note) Do not attempt to rotate, as the cable connector does not turn.



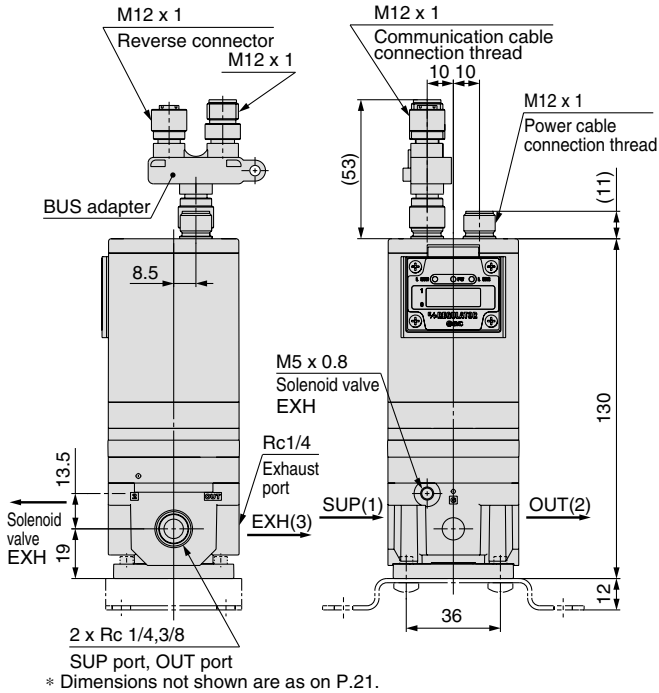
L-bracket



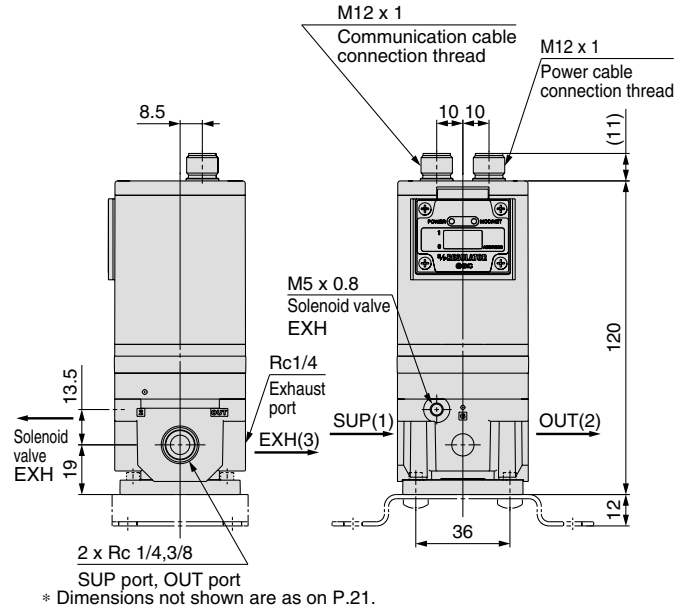


## Dimensions (CC-Link, DeviceNet™, PROFIBUS DP and RS-232C)

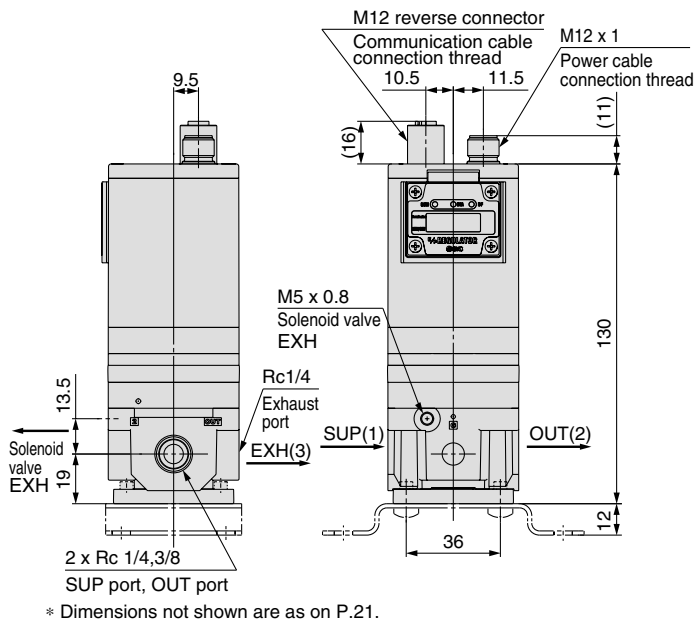
### CC-Link/ITV20□0-CC



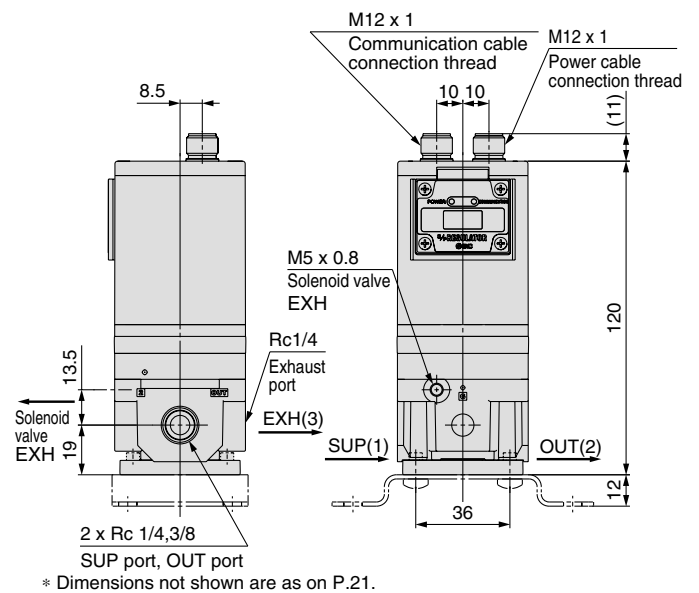
### DeviceNet™/ITV20□0-DN



### PROFIBUS DP/ITV20□0-PR

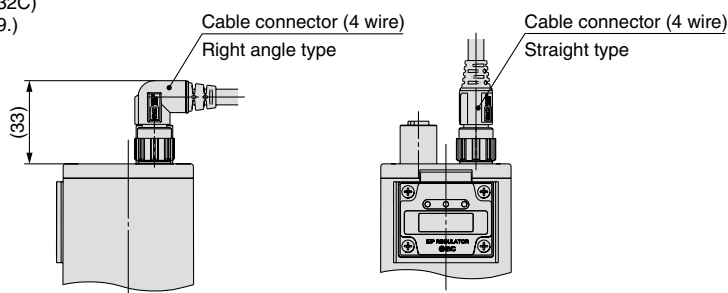


### RS-232C/ITV20□0-RC



### With power cable connector \* ITV20□0-CC, DN, PR, RC common dimensions

Note) Communication cable (other than RS-232C) should be obtained separately. (See P.9.)



Note) Do not attempt to rotate, as the cable connector does not turn.

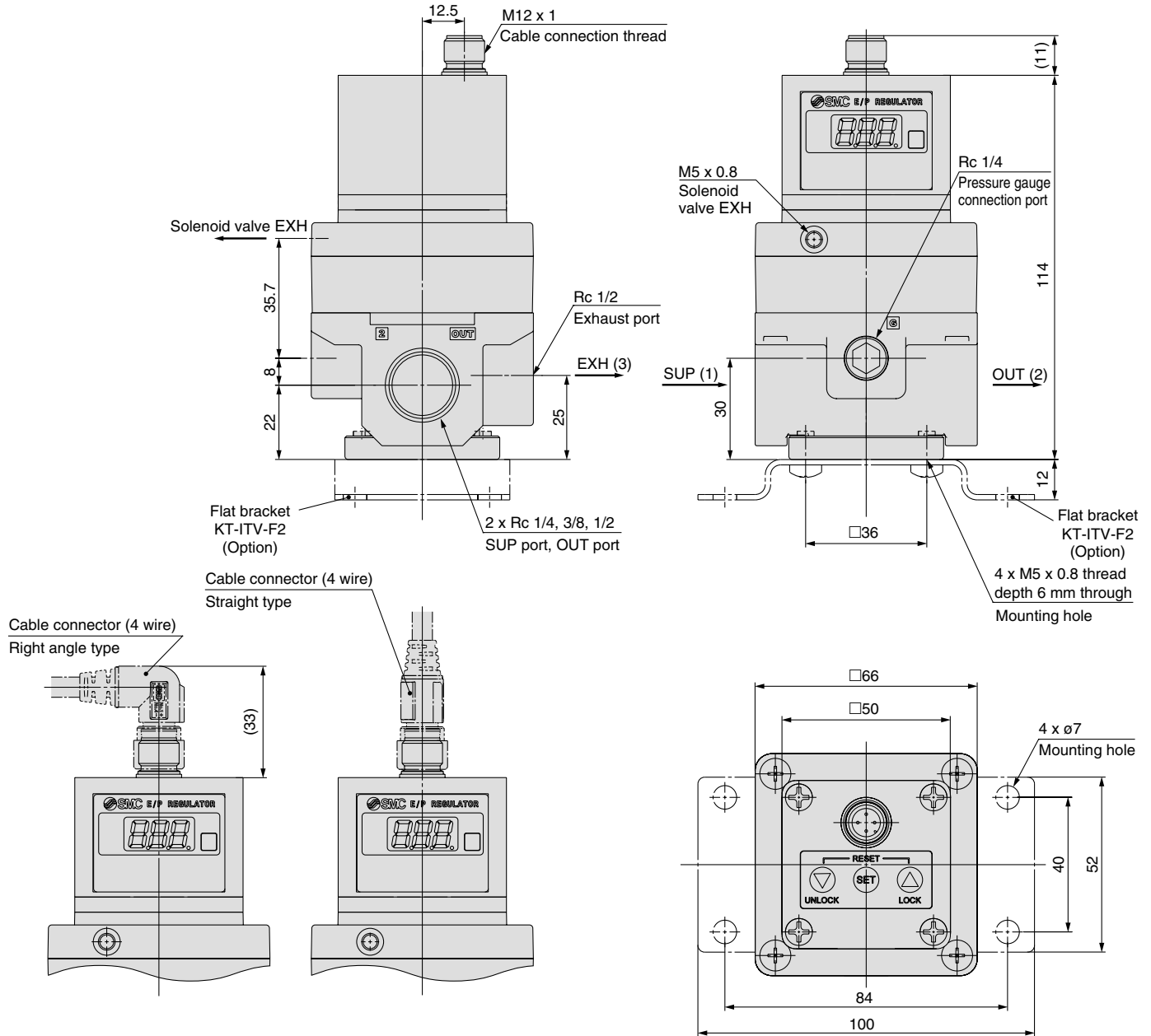
# Series ITV1000/2000/3000

## Dimensions

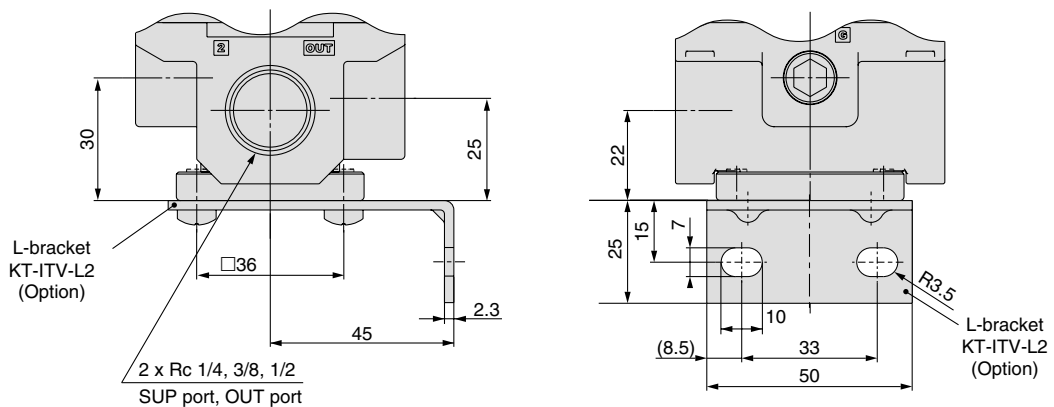
ITV30□□

Flat bracket

Note) Do not attempt to rotate, as the cable connector does not turn.

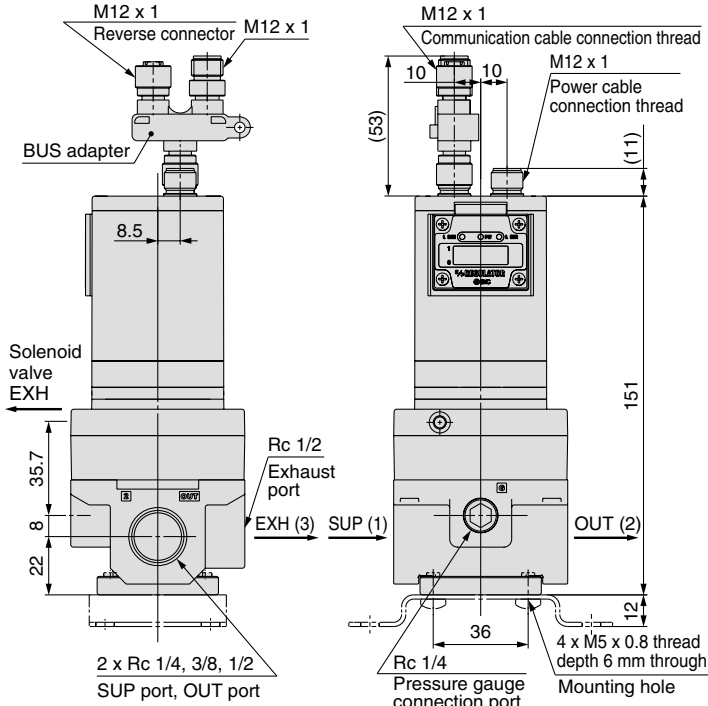


L-bracket



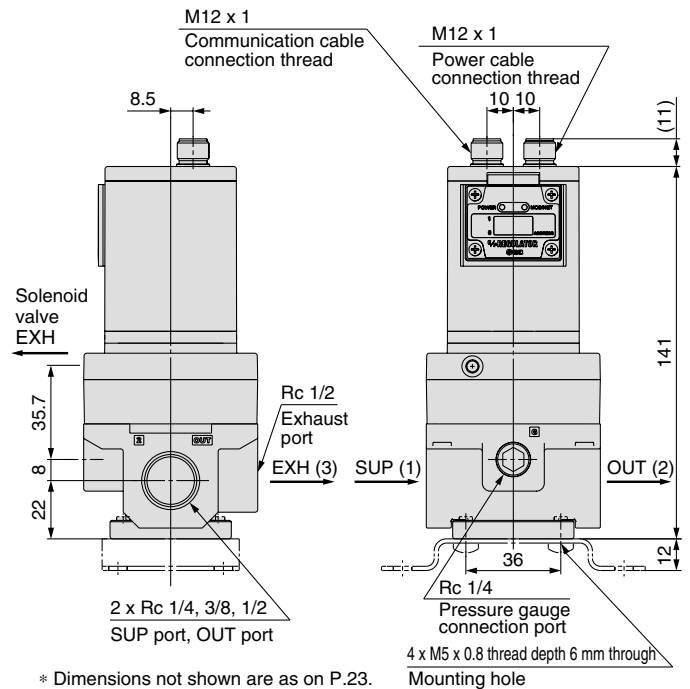
## Dimensions (CC-Link, DeviceNet™, PROFIBUS DP and RS-232C)

### CC-Link/ITV30□-CC



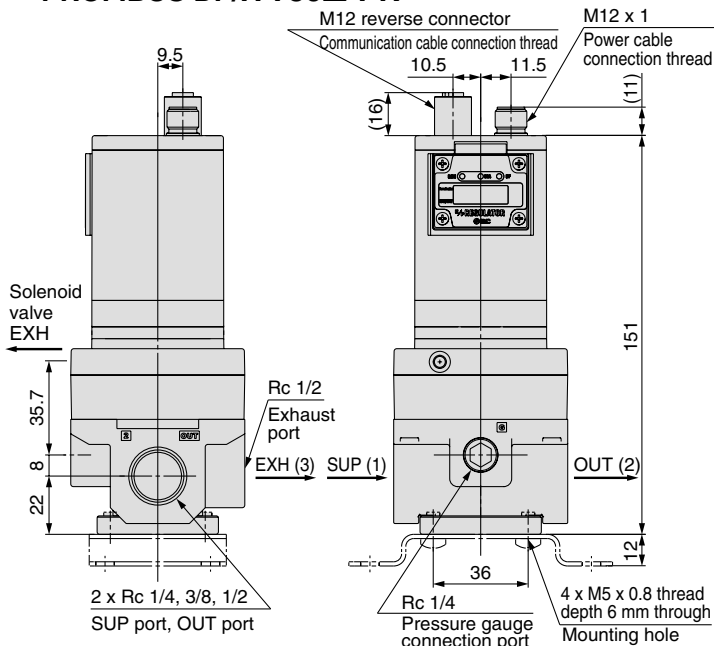
\* Dimensions not shown are as on P.23.

### DeviceNet™/ITV30□-DN



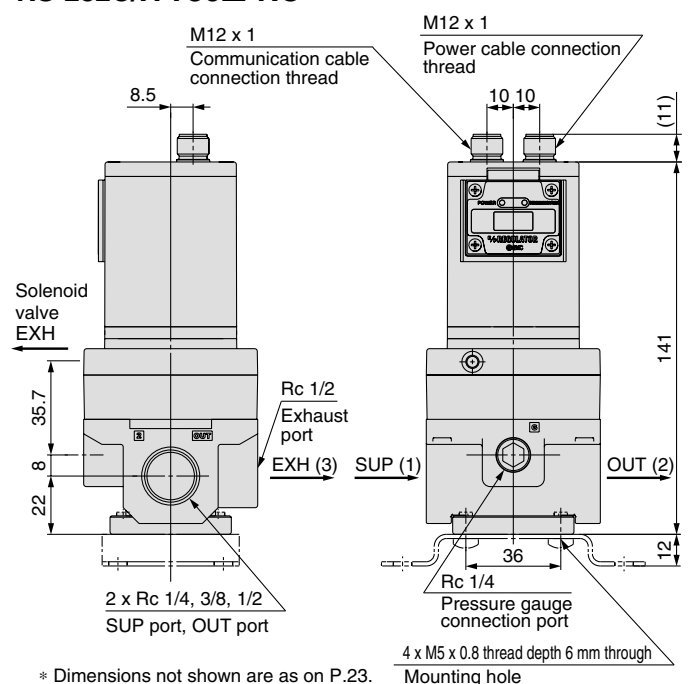
\* Dimensions not shown are as on P.23.

### PROFIBUS DP/ITV30□-PR



\* Dimensions not shown are as on P.23.

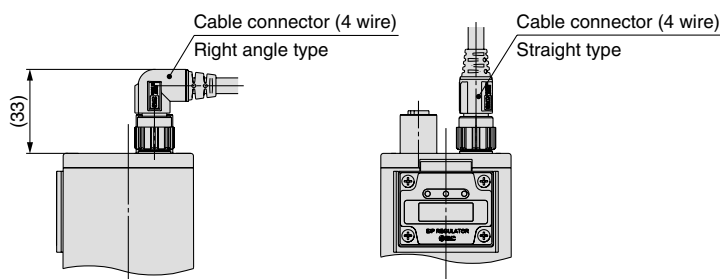
### RS-232C/ITV30□-RC



\* Dimensions not shown are as on P.23.

### With power cable connector

\* ITV30□-  
CC  
DN  
PR  
RC  
common dimensions



Note) Do not attempt to rotate, as the cable connector does not turn.

# Series ITV1000/2000/3000 Made to Order Specifications 1



Contact SMC regarding detailed dimensions, specifications and delivery times.

## 1 16 Points Preset Input Type

Able to control 16-point-pressure by 4 bit switching input

ITV10  0 - 4  $\frac{2}{3}$       - X156  
 ITV20  0 - 4  $\frac{2}{3}$       - X156  
 ITV30  0 - 4  $\frac{2}{3}$       - X156

- Note 1)  in part number is the same model no. for the standard products. **●16 points preset type**
- Note 2) Monitor output is switch output type only. This cannot be selected for types without a monitor output or with analogue output.
- Note 3) Values can be adjusted starting from the minimum output pressure display units.

MPa	kgf/cm <sup>2</sup>	bar	psi	kPa
0.01	0.01	0.01	0.1	1

\* 130 psi type: 1 psi

## 2 Digital Input Type

Parallel input type with digital 10 bit.

ITV10  0 - 4 0     S N  - X157  
 ITV20  0 - 4 0     S N  - X157  
 ITV30  0 - 4 0     S N  - X157

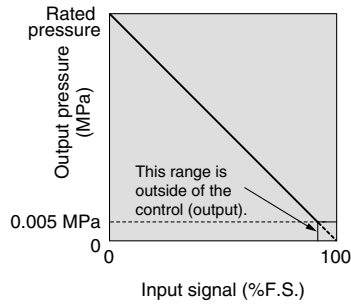
**Digital input type ●**

- Note 1)  in part number is the same model no. for the standard products.
- Note 2) Right angle type cable connectors cannot be selected.

## 3 Reverse Type

In compliance with the input, inverse proportional pressure is displayed.

ITV10   -        - X321  
 ITV20   -        - X321  
 ITV30   -        - X321



**Reverse type ●**

**Input/output characteristics chart**

- Note 1)  in part number is the same model no. for the standard products.
- Note 2) Except for preset input type.

## 4 High Pressure Type (SUP 1.2 MPa, OUT 1.0 MPa)

ITV10  5  -        - X322  
 ITV20  5  -        - X322  
 ITV30  5  -        - X322

**High pressure type (SUP 1.2 MPa, OUT 1.0 MPa) ●**

## 5 Set Pressure Range 1 to 100 kPa

ITV10  1  -        - X323  
 ITV20  1  -        - X323

**Set pressure range 1 to 100 kPa ●**

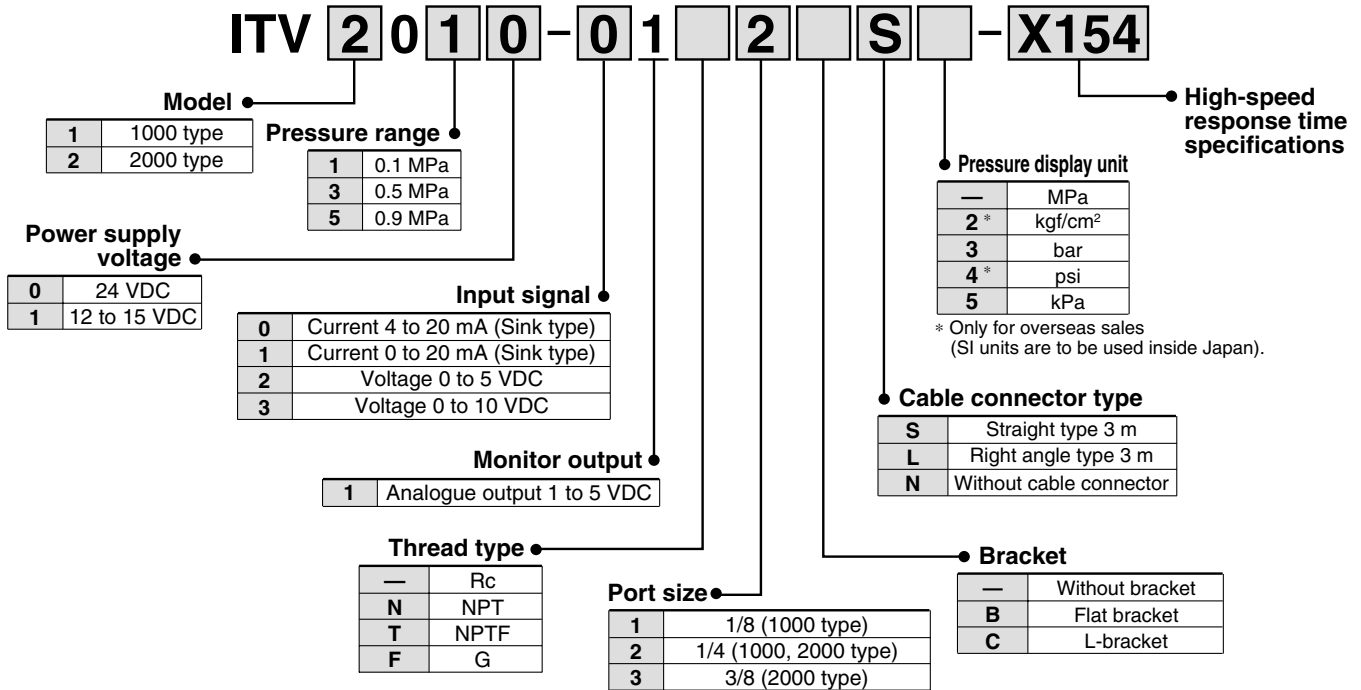
# Series ITV1000/2000/3000 Made to Order Specifications 2

Contact SMC regarding detailed dimensions, specifications and delivery times.



## 6 High-Speed Response Time Type

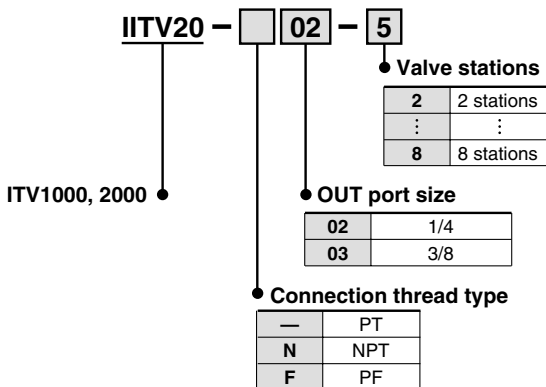
Pressure response with no load is approx. 0.1 sec.



## 7 Manifold Specifications (Except Series ITV3000)

2 through 8 station manifold.

### How to Order Manifolds



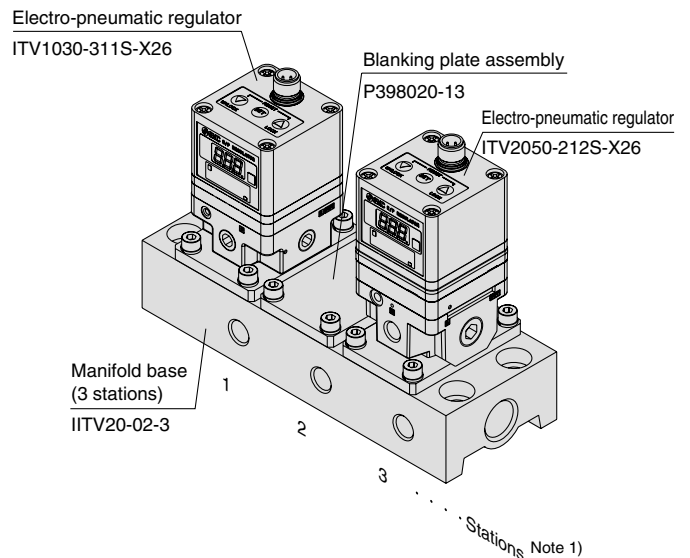
IITV20-02-3 .....1 set (3 station manifold base part no.)  
 \*ITV1030-311S-X26 .....1 set (Electro-pneumatic regulator part no.) Note 2)  
 \*P398020-13 .....1 set (Blanking plate assembly part no.)  
 \*ITV2050-212S-X26 .....1 set (Electro-pneumatic regulator part no.) Note 2)  
 ↳ The \* is the symbol for mounting. Add the \* symbol at the beginning of part numbers for electro-pneumatic regulators, etc. to be mounted on the base.

Note) Refer to the table below for possible mixed combination.

Model	ITV101□	ITV103□	ITV105□	ITV201□	ITV203□	ITV205□
ITV101□	●	—	—	●	—	—
ITV103□	—	●	●	—	●	●
ITV105□	—	●	●	—	●	●
ITV201□	●	—	—	●	—	—
ITV203□	—	●	●	—	●	●
ITV205□	—	●	●	—	●	●

### How to Order Manifold Assemblies

#### Example



- Note 1) Electro-pneumatic regulators are counted starting from station 1 on the left side with the OUT ports in front.
- Note 2) The port size for mounted electro-pneumatic regulators is Rc 1/8 (ITV1000), Rc 1/4 (ITV2000) only.
- Note 3) When there is a large number of stations, use piping with the largest possible inside diameter for the supply side, such as steel piping.
- Note 4) The use of the straight type cable connector is recommended. To mount right angle type, be certain to check that no possible interference occurs.
- Note 5) When mounting a blanking plate and the regulator with different pressure set, please inform SMC of the order of a manifold station beside a purchase order.

# Compact Vacuum Regulator

# Series *ITV009*



## How to Order

For single unit and single unit for manifold

**ITV009 0 - 3**    **N - Q**

● **Pressure range**

<b>9</b>	-100 kPa
----------	----------

● **Power supply voltage**

<b>0</b>	24 VDC ±10%
<b>1</b>	12 to 15 VDC

● **Input signal**

<b>0</b>	Current type 4 to 20 mA DC
<b>1</b>	Current type 0 to 20 mA DC
<b>2</b>	Voltage type 0 to 5 VDC
<b>3</b>	Voltage type 0 to 10 VDC

● **Built-in One-touch fittings type**  
For single unit

Symbol	VAC <sub>1</sub>	OUT <sub>2</sub>	ATM <sub>3</sub>
—	Metric size (Light grey)	ø4	
<b>U</b>	Inch size (Orange)	ø5/32"	

For manifold

Symbol	VAC <sub>1</sub>	OUT <sub>2</sub>	ATM <sub>3</sub>	
—	Metric size (Light grey)	ø6	ø4	ø6
<b>U</b>	Inch size (Orange)	ø1/4"	ø5/32"	ø1/4"

● **Cable connector (Option)**

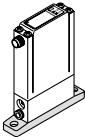
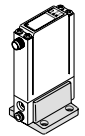
<b>N</b>	Without cable connector
<b>S</b>	Straight type 3 m
<b>L</b>	Right angle type 2 m

● **CE compliant**

<b>Q</b>	CE compliant
----------	--------------

\* For detailed information on CE marked models, refer to the SMC's web-site.

● **Bracket/Option for single unit only**

	Without bracket
<b>B</b>	Flat Bracket 
<b>C</b>	L-bracket 

● **Base type**

—	For single unit
<b>M</b>	For manifolds

## Manifold

**IITV00 - 02 - n**

● **Stations**

<b>02</b>	2 stations
<b>03</b>	3 stations
:	:
<b>10</b>	10 stations

● **Option**  
If a DIN rail longer than the specified stations is required, specify the applicable stations in two digits.  
(Maximum 10 stations)  
Example) **IITV00-05-07**

Note) A DIN rail with the length specified by the number of stations is attached to the manifold. For dimensions of the DIN rail, refer to the external dimensions.

## How to Order Manifold Assembly (Example)

Indicate the part numbers of electro-pneumatic regulators and options to be mounted below the manifold part number.

Example)

Due to the common supply/exhaust feature, note that different pressure range combinations are not available.

**IITV00-03.....1 set (Manifold part no.)**

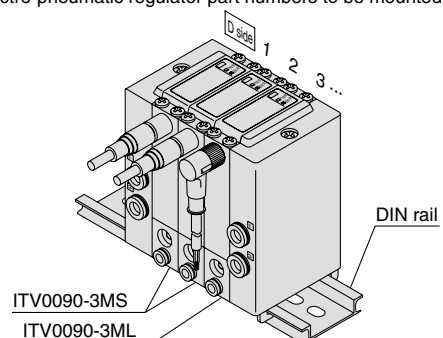
\*ITV0090-3MS.....2 sets (Vacuum regulator part no. (1, 2 stations))

\*ITV0090-3ML.....1 set (Vacuum regulator part no. (3 stations))

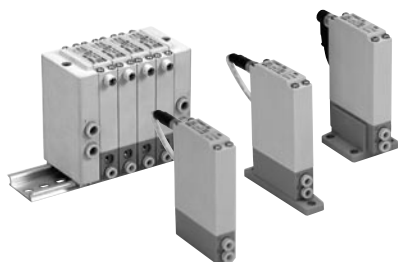
Indicate part numbers in order starting from the first station on the D side.

Note) Combination with different pressure ranges is not available due to common supply/exhaust features.

The asterisk (\*) specifies mounting. Add an asterisk (\*) at the beginning of electro-pneumatic regulator part numbers to be mounted.



## Specifications



Model		ITV009 <input type="checkbox"/>	
<b>Min. supply pressure</b>		Set pressure -1 kPa	
<b>Max. supply pressure</b>		-101 kPa	
<b>Regulating pressure range</b>		-1 to -100 kPa	
<b>Maximum flow rate</b>		2 l/min (ANR) (Supply pressure: -101 kPa)	
<b>Power supply</b>	<b>Voltage</b>	24 VDC ±10%, 12 to 15 VDC	
	<b>Current consumption</b>	Power supply voltage 24 VDC type: 0.12 A or less Power supply voltage 12 to 15 VDC type: 0.18 A or less	
<b>Input signal</b>	<b>Voltage type</b>	0 to 5 VDC, 0 to 10 VDC	
	<b>Current type</b>	DC4 to 20mA, DC0 to 20mA	
<b>Input impedance</b>	<b>Voltage type</b>	Approximately 10 kΩ	
	<b>Current type</b>	Approximately 250 Ω	
<b>Output signal</b>	<b>Analogue output</b>	1 to 5 VDC (Load impedance: 1 kΩ or more) Output accuracy: Within ±6% (Full span)	
<b>Linearity</b>		Within ±1% (Full span)	
<b>Hysteresis</b>		Within 0.5% (Full span)	
<b>Repeatability</b>		Within ±0.5% (Full span)	
<b>Sensitivity</b>		Within 0.2% (Full span)	
<b>Temperature characteristics</b>		Within ±0.12% (Full span)/°C	
<b>Operating temperature range</b>		0 to 50°C (No condensation)	
<b>Enclosure</b>		IP65 equivalent *	
<b>Connection type</b>		Built-in One-touch fittings	
<b>Connection size</b>	<b>For single unit</b>	Metric size	①, ②, ③: ø4
		Inch size	①, ②, ③: ø5/32"
	<b>Manifold</b>	Metric size	①, ③: ø6, ②: ø4
		Inch size	①, ③: ø1/4", ②: ø5/32"
<b>Weight</b> <small>Note 1)</small>		100 g or less (without options)	

Note 1) Indicates the weight of a single unit.

For IITV00-n

Total weight (g) ≤ Stations (n) x 100 + 130 (Weight of end block A, B assembly) + Weight (g) of DIN rail

Note 2) Specifications other than the following are optional. Pressure range: 0.1 MPa, 0.5 MPa, 0.9 MPa, Power supply voltage: 24 VDC, Input signal: 0 to 10 VDC

\* When using under the conditions equivalent to IP65, connect the fitting or tube to the breathing hole prior to use. (For details, refer to "Specific Product Precautions 1" on back page 3)

## Accessory (Option)

### Bracket

Flat bracket assembly (including 2 mounting screws)  
P39800022



L-bracket assembly (including 2 mounting screws)  
P39800023



Tightening torque when assembling is 0.3 N·m.

### Cable connector

Straight type  
M8-4DSX3MG4



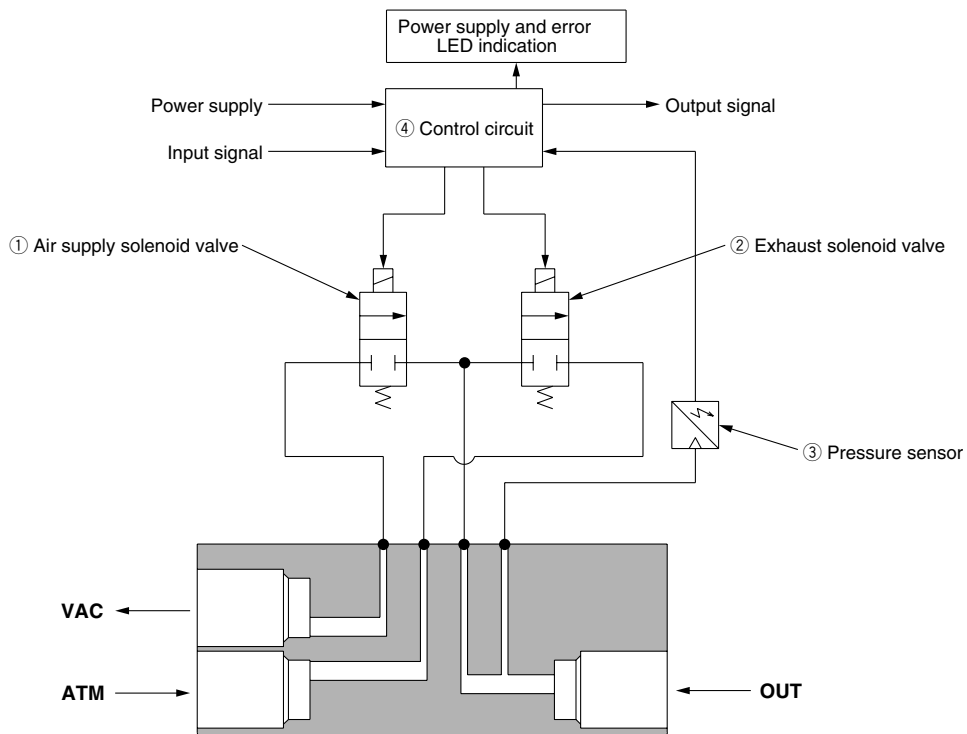
Right angle type  
ELWIKA-KV4408 PVC025 2M



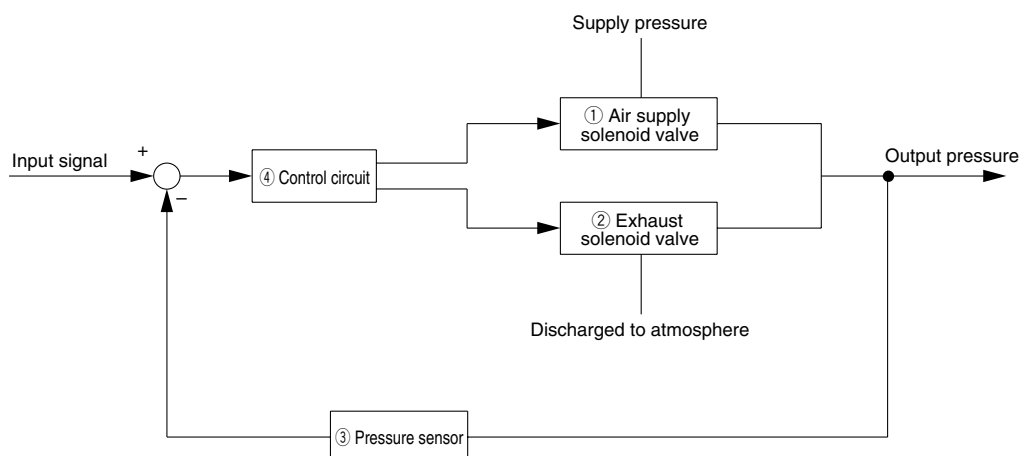
## Working Principle

When the input signal rises, the air supply solenoid valve ① turns ON. Due to this, part of the supply pressure passes through the air supply solenoid valve ① and changes to output pressure. This output pressure feeds back to the control circuit ④ via the pressure sensor ③. Here, pressure corrections continue until output pressure becomes proportional to the input signal, enabling output pressure that is proportional to the input signal.

### Diagram of working principle



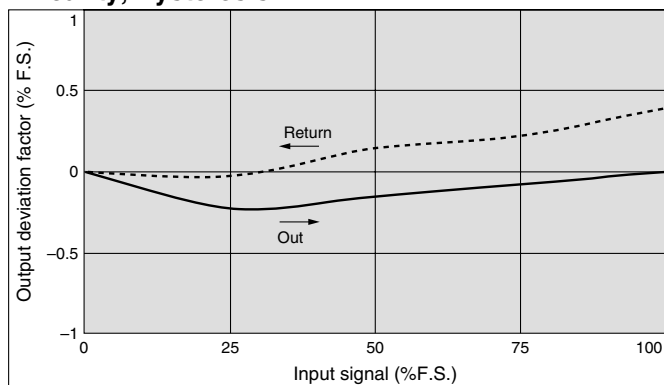
### Block diagram





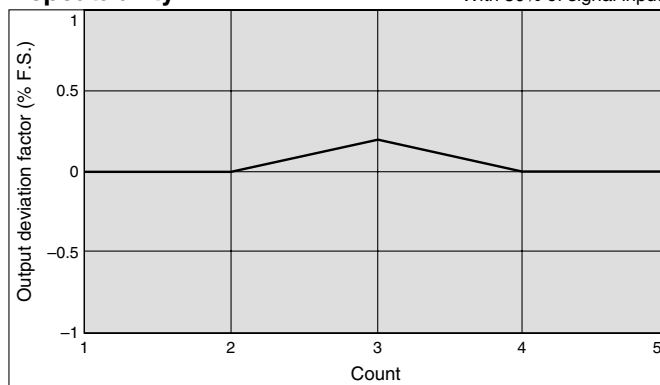
**Series ITV009** □

**Linearity, Hysteresis**



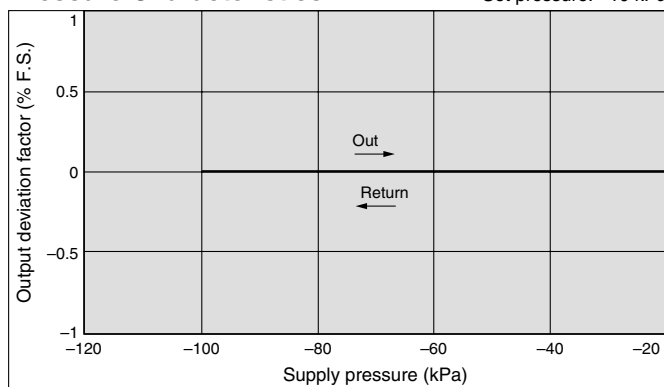
**Repeatability**

With 50% of signal input

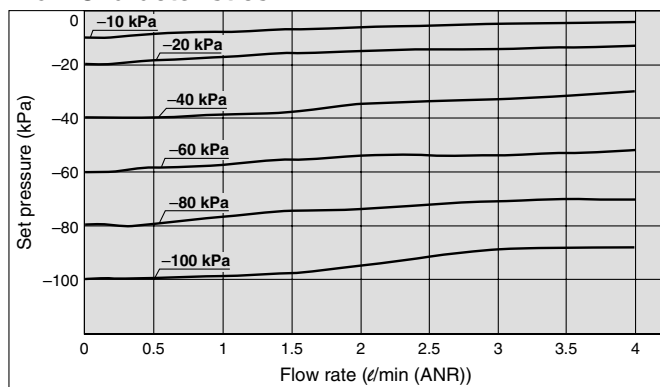


**Pressure Characteristics**

Set pressure: -10 kPa

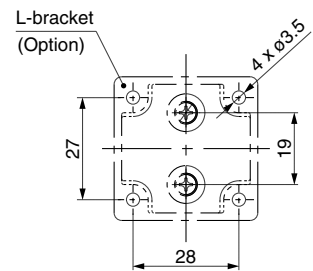
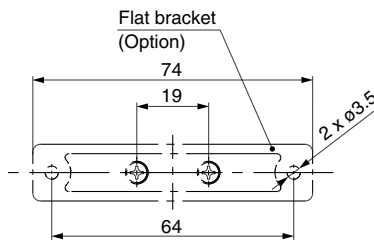
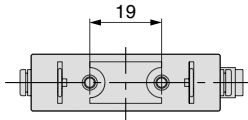


**Flow Characteristics**



## Dimensions

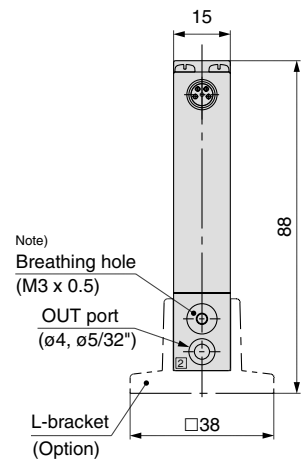
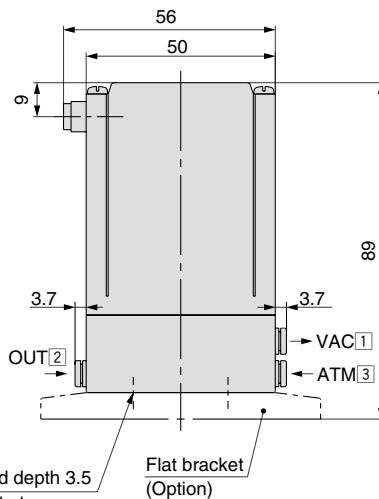
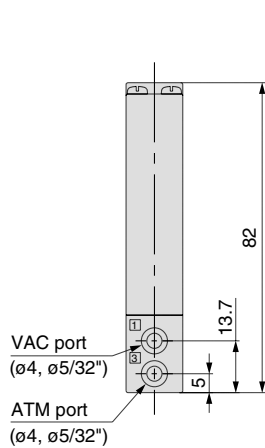
### For Single Unit



#### Port Location

No.	1	2	3
ITV009 <input type="checkbox"/>	VAC	OUT	ATM

Note) When using under the conditions equivalent to IP65, connect the fittings or tube to the breathing hole prior to use. (For details, refer to "Specific Product Precautions 1" on back page 3)



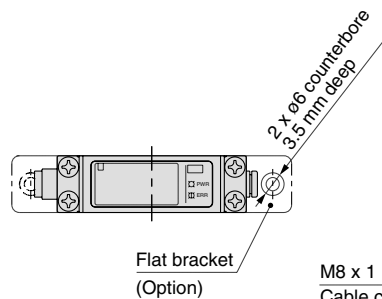
VAC port  
( $\phi 4$ ,  $\phi 5/32$ "")  
ATM port  
( $\phi 4$ ,  $\phi 5/32$ "")

2 x M3 x 0.5 thread depth 3.5  
Bracket mounting hole

Flat bracket  
(Option)

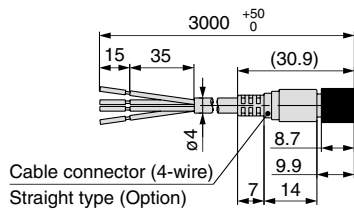
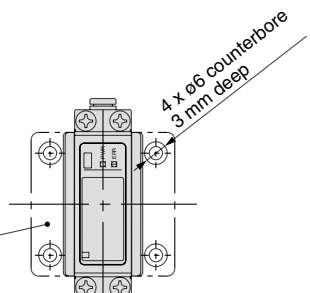
Note)  
Breathing hole  
(M3 x 0.5)  
OUT port  
( $\phi 4$ ,  $\phi 5/32$ "")

L-bracket  
(Option)

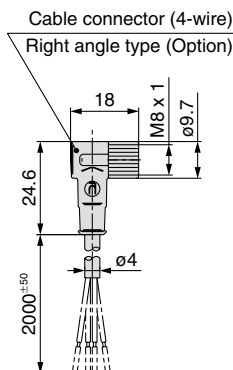


L-bracket  
(Option)

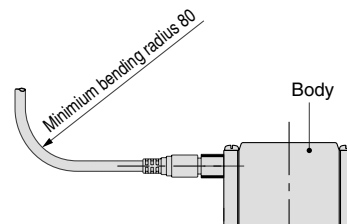
M8 x 1  
Cable connection thread



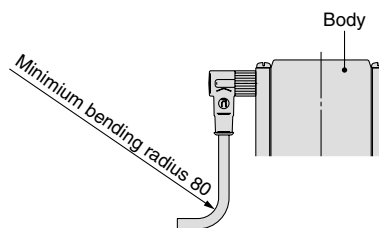
Cable connector (4-wire)  
Straight type (Option)



Cable connector (4-wire)  
Right angle type (Option)



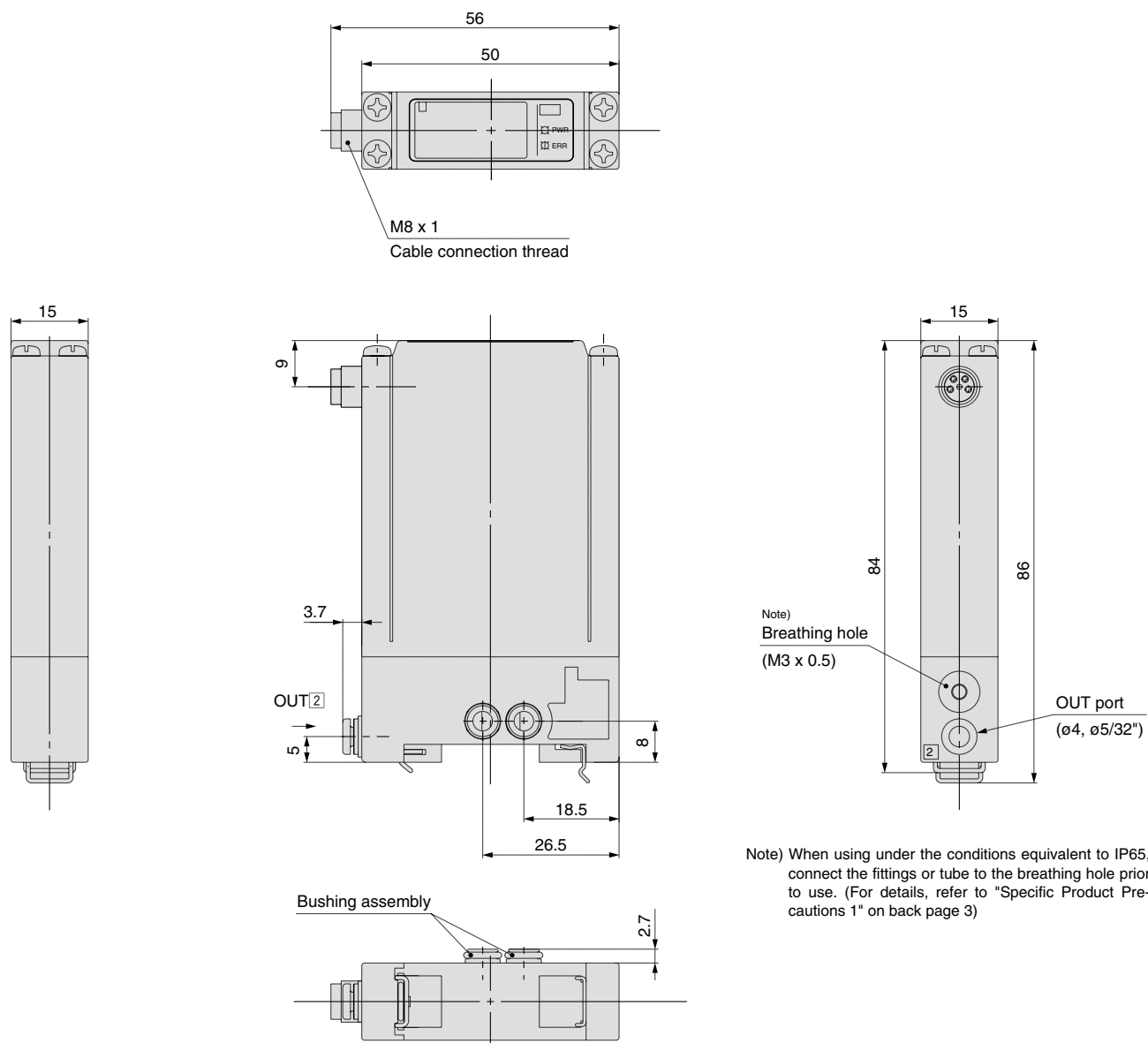
Body



Body

## Dimensions

### Single unit for manifold



Note)  
Breathing hole  
(M3 x 0.5)

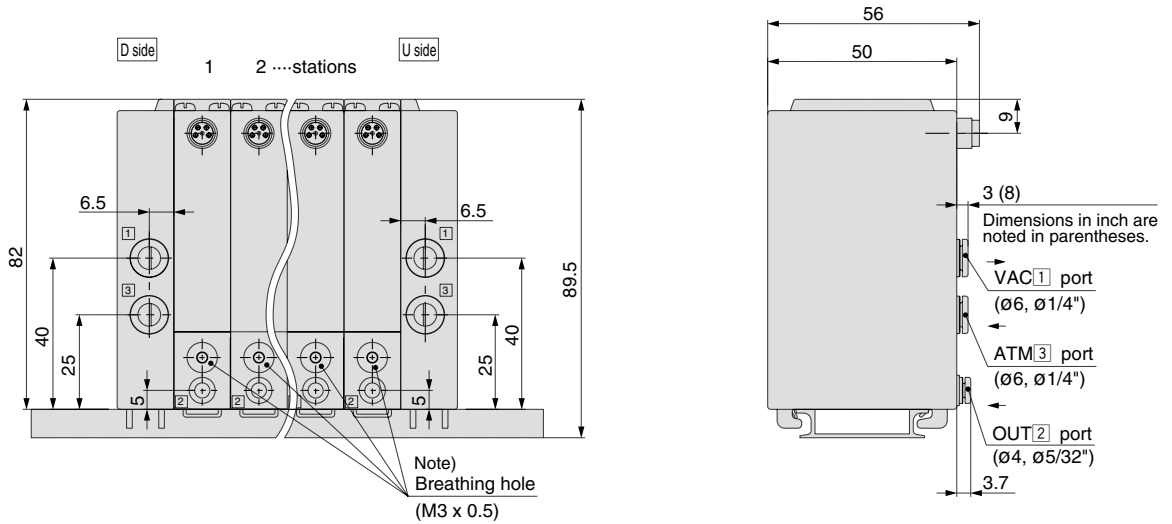
OUT port  
(ø4, ø5/32")

Note) When using under the conditions equivalent to IP65, connect the fittings or tube to the breathing hole prior to use. (For details, refer to "Specific Product Precautions 1" on back page 3)

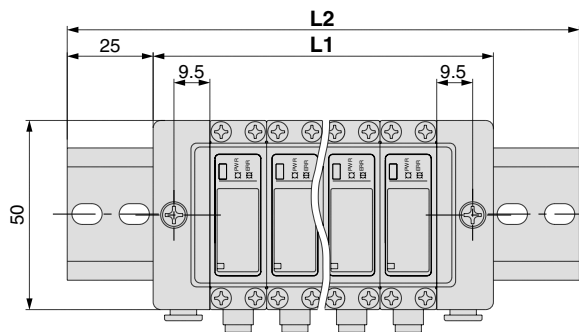
Note) For dimensions of the cable connector, refer to single unit on page 31.

## Dimensions

### Manifold



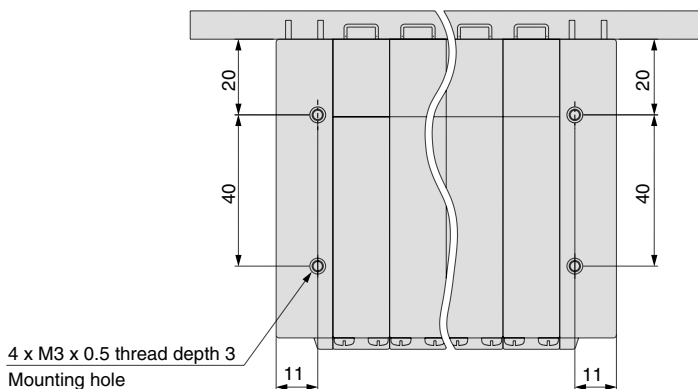
Note) When using under the conditions equivalent to IP65, connect the fittings or tubing to the breathing hole prior to use.  
(For details, refer to "Specific Product Precautions 1" on back page 3)



#### Port Location

No.	1	2	3
ITV009 <input type="checkbox"/>	VAC	OUT	ATM

Note) Stations are counted starting from the D side.



Note) For dimensions of the cable connector, refer to single unit on page 31.

Manifold stations n	2	3	4	5	6	7	8	9	10
L1	60	75	90	105	120	135	150	165	180
L2	110.5	123	148	160.5	173	185.5	198	223	235.5
Weight of DIN rail (g)	20	22	27	29	31	34	36	41	43

(mm)

# Electronic Vacuum Regulator

## Series *ITV2090/2091*



### How to Order

**ITV 209 0 - 0 1 2 S 5 - Q**

**Pressure range**

9	-1.3 to -80 kPa
---	-----------------

**Power supply voltage**

0	24 VDC
1	12 to 15 VDC

Note) Communication models are available only for 24 V DC.

**Input signal**

0	Current type 4 to 20 mADC
1	Current type 0 to 20 mADC
2	Voltage type 0 to 5 VDC
3	Voltage type 0 to 10 VDC
4	Preset input
CC	CC-Link
DN	DeviceNet™
PR	PROFIBUS DP
RC	RS-232C communication

**Monitor output**

—	None (for communication models)
0	None (for preset input)
1	Analogue output 1 to 5 VDC
2	Switch output/NPN output
3	Switch output/PNP output
4	Analogue output 4 to 20 mADC (Sink type)

**CE compliant**

Q	CE compliant
---	--------------

**Pressure display unit**

5	kPa
---	-----

Note) No units are displayed on communication models.

**Cable connector type**

S	Straight type 3 m
L	Right angle type 3 m
N	Without cable connector

Note) Communication cable (other than RS-232C) should be obtained separately. See below.

**Option (Bracket)**

—	Without bracket
B	Flat bracket
C	L-bracket

**Port size**

2	1/4
---	-----

**Thread type**

—	Rc
N	NPT
T	NPTF
F	G

For communications cables, use the parts listed below  
 (refer to the catalogue [M8/M12 Connector] CAT.EUS100-73-UK for details)  
 or order the product certified for the respective protocol (with M12 connector) separately.

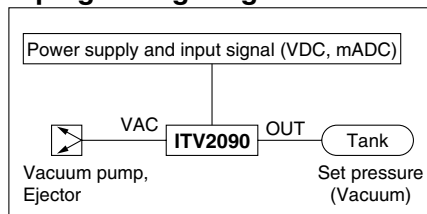
Application	Communication cable part number	Remarks
CC-Link compatibility	PCA-1567720 (Socket type)	Dedicated Bus adapter supplied with the product.
	PCA-1567717 (Plug type)	
DeviceNet™ compatibility	PCA-1557633 (Socket type)	T-branch connector not supplied.
	PCA-1557646 (Plug type)	
PROFIBUS DP compatibility	PCA-1557688 (Socket type)	T-branch connector not supplied.
	PCA-1557691 (Plug type)	

# Series ITV2090/2091

## Stepless control of vacuum pressure in proportion to an electric signal



## Piping/Wiring Diagram



## Standard Specifications

Model		ITV2090	ITV2091
Power supply	Voltage	24 VDC ±10%	12 to 15 VDC
	Current consumption	Power supply voltage 24 VDC type: 0.12 A or less <sup>Note 6)</sup> Power supply voltage 12 to 15 VDC type: 0.18 A or less	
Minimum supply vacuum pressure <sup>Note 1)</sup>		Set pressure -13.3 kPa	
Maximum supply vacuum pressure		-101 kPa	
Set pressure range		-1.3 to -80 kPa	
Input signal	Current type <sup>Note 2)</sup>	4 to 20 mA, 0 to 20 mA	
	Voltage type	0 to 5 VDC, 0 to 10 VDC	
	Preset input	4 points	
Input impedance	Current type	250 Ω or less <sup>Note 3)</sup>	
	Voltage type	Approximately 6.5 kΩ	
	Preset input	Approximately 2.7 kΩ	
Output signal (Monitor output) <sup>Note 4)</sup>	Analogue output	1 to 5 VDC (Load impedance: 1 kΩ or more) 4 to 20 mA (Sink type) (Load impedance: 250 Ω or less) Output accuracy within ±6% (Full span)	
	Switch output	NPN open collector output: Max. 30 V, 30 mA PNP open collector output: Max. 30 mA	
Linearity		Within ±1% (Full span)	
Hysteresis		Within 0.5% (Full span)	
Repeatability		Within ±0.5% (Full span)	
Sensitivity		Within 0.2% (Full span)	
Temperature characteristics		Within ±0.12% (Full span)/°C	
Output pressure display	Accuracy	±3% (Full span)	
	Units	kPa <sup>Note 5)</sup> Minimum display: 1	
Ambient and fluid temperature		0 to 50°C (No condensation)	
Enclosure		Equivalent to IP65	
Weight <sup>Note 7)</sup>		350 g	



Note 1) The minimum supply vacuum pressure should be 13.3 kPa less than the maximum vacuum pressure setting value.

Note 2) 4 to 20 mA is not possible with the 2-wire type. Power supply voltage (24 VDC or 12 to 15 VDC) is required.

Note 3) Value for the state with no over current circuit included. If an allowance is provided for an over current circuit, the input impedance varies depending on the input power supply. This is 350 Ω or less for an input current of 20 mA DC.

Note 4) Either analogue output or switch output must be selected. Furthermore, when switch output is selected, either NPN output or PNP output must also be selected. Use caution that the preset input type is not equipped with an output signal function.

Note 5) Please contact SMC regarding indication with other units of pressure.

Note 6) For communication models, the maximum current consumption is 0.16 A or less.

Note 7) For communication models, add roughly 80 g to the weight (100 g for the PROFIBUS DP).

## Communications Specifications

Model	ITV□□□□-CC□□	ITV□□□□-DN□□	ITV□□□□-PR□□	ITV□□□□-RC□□
Protocol	CC-Link	DeviceNet™	PROFIBUS DP	RS-232C
Version <sup>Note 1)</sup>	Ver 1.10	Release2.0	DP-V0	—
Communication speed	156 k/625 k 2.5 M/5 M/10 M bps	125 k/250 k/500 k bps	9.6 k/19.2 k/45.45 k 93.75 k/187.5 k/500 k 1.5 M/3 M/6 M/12 M bps	9.6 kbps
Configuration file <sup>Note 2)</sup>	—	EDS	GSD	—
I/O occupation area (input/output data)	4 word/4 word, 32 bit/32 bit (per station, remote device station)	16 bit/16 bit	16 bit/16 bit	—
Communication data resolution	12 bit (4096 resolution)	12 bit (4096 resolution)	12 bit (4096 resolution)	10 bit (1024 resolution)
Fail safe <sup>Note 4)</sup>	HOLD <sup>Note 3)</sup> /CLEAR (Switch setting)	HOLD/CLEAR (Switch setting)	CLEAR	HOLD
Terminating resistance	—	—	Built into the product (Switch setting)	—

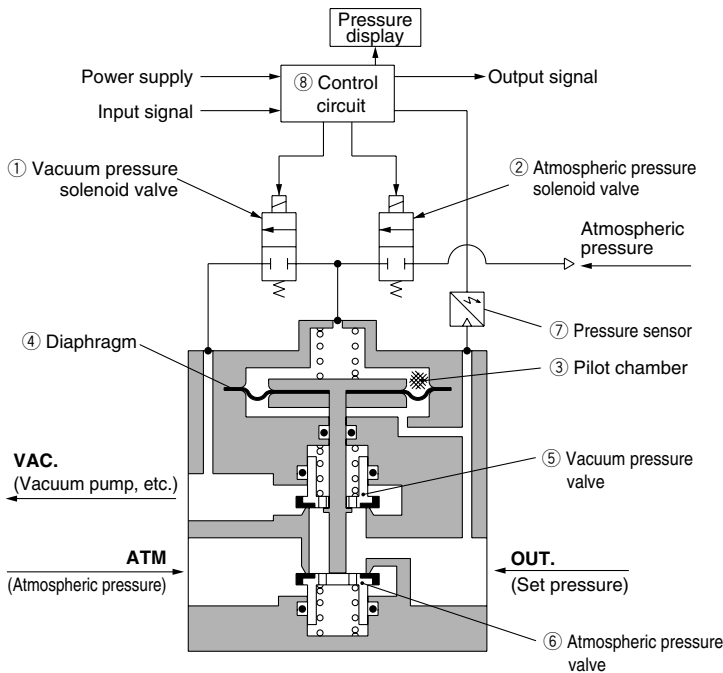
Note 1) Note that this version information is subject to change.

Note 2) Configuration files can be downloaded from the SMC's website: <http://www.smc.eu>

Note 3) The output HOLD value when a CC-Link communications error occurs can be set based on the bit area data.

Note 4) It shows the insulation between electric signal for communication and the ITV supply power.

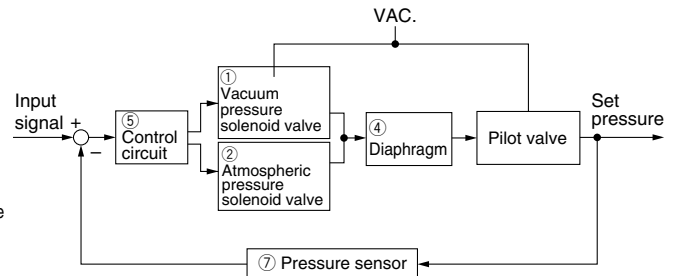
## Working Principle



## Working Principle

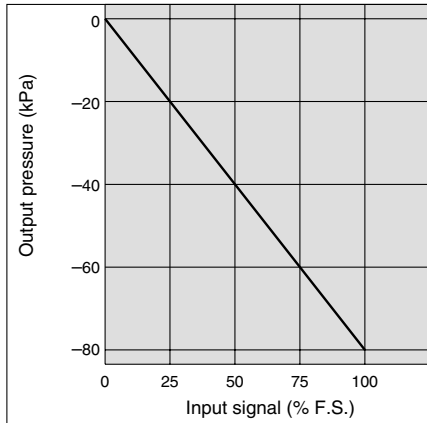
When the input signal increases, the vacuum pressure solenoid valve ① turns ON, and the atmospheric pressure solenoid valve ② turns OFF. Because of this, VAC. and the pilot chamber ③ are connected, the pressure in the pilot chamber ③ becomes negative and acts on the top of the diaphragm ④. As a result, the vacuum pressure valve ⑤ which is linked to the diaphragm ④ opens, VAC. and OUT. are connected, and the set pressure becomes negative. This negative pressure feeds back to the control circuit ⑧ via the pressure sensor ⑦. Then, a correct operation works until a vacuum pressure proportional to the input signal is reached, and a vacuum pressure is obtained which is always proportional to the input signal.

## Block Diagram

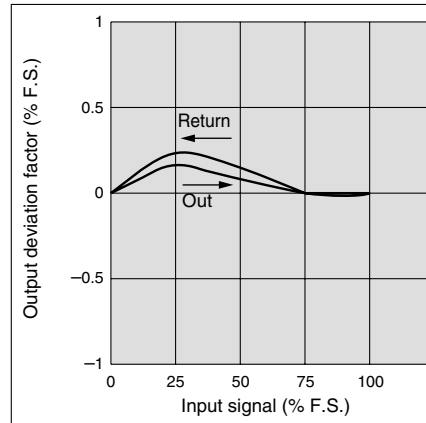


## Series ITV209

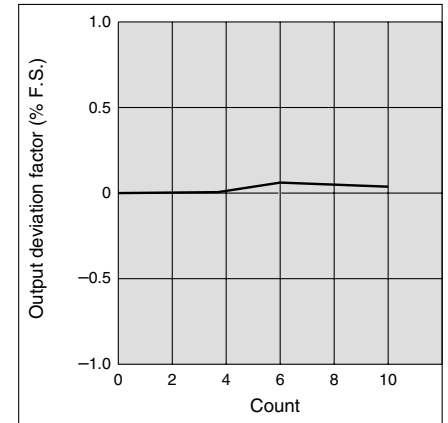
### Linearity



### Hysteresis

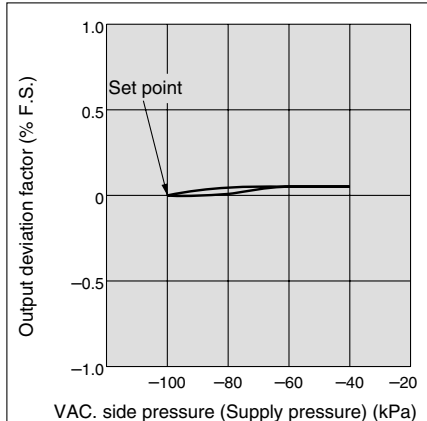


### Repeatability



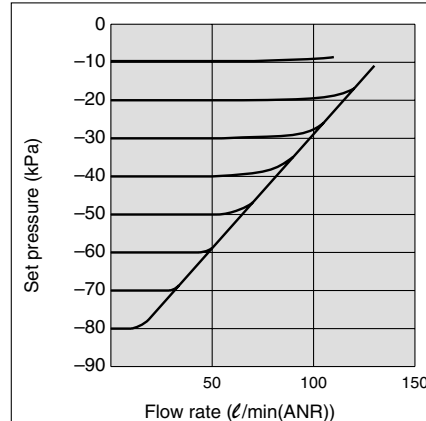
### Pressure Characteristics

Set pressure: -20 kPa



### Flow Characteristics

Supply vacuum pressure: -100 kPa



### Flow characteristics measurement conditions

- Exhaust flow rate of the vacuum pump used for measurement: 500 l/min (ANR)
- Inlet vacuum pressure: -100 kPa (When outlet flow rate is 0 l/min (ANR))
- Maximum flow rate: 132 l/min (ANR) (With inlet vacuum pressure at -39 kPa)

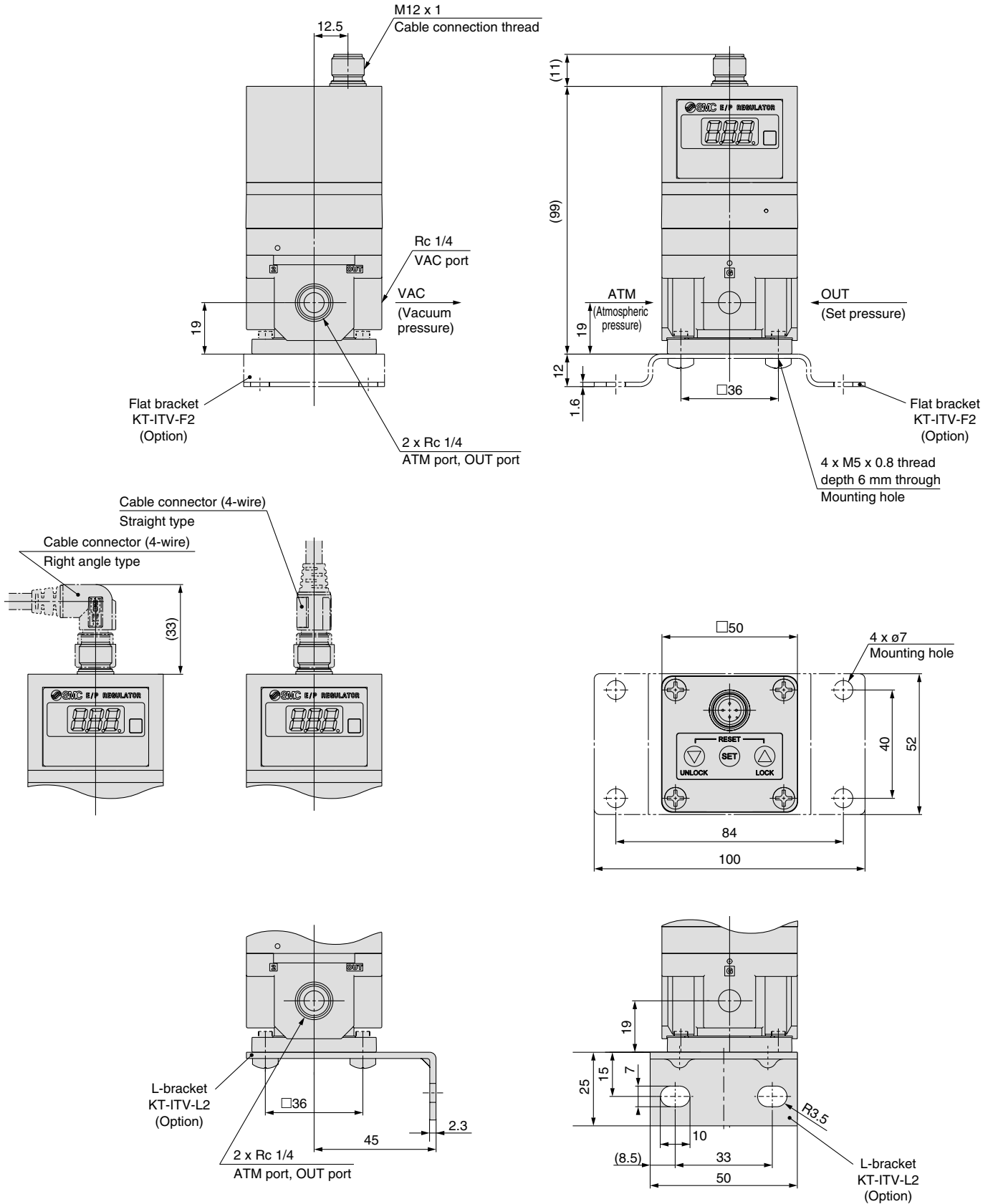
# Series ITV209

## Dimensions

### ITV209



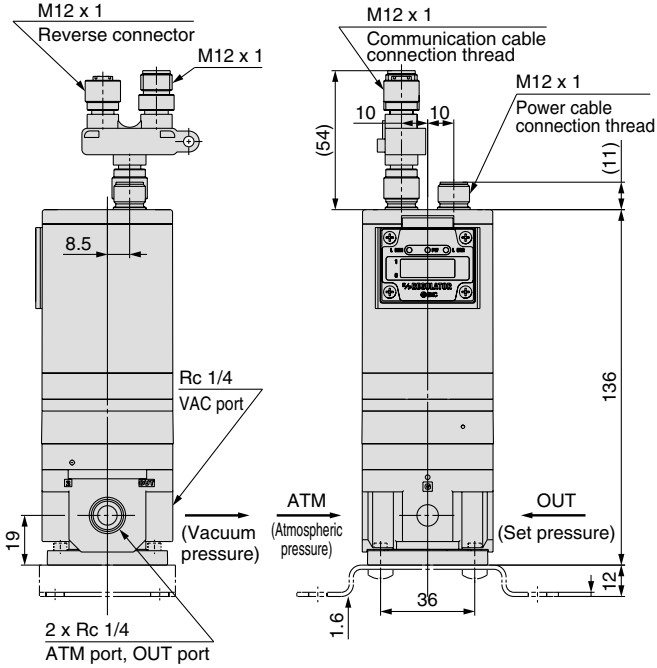
Note) Do not attempt to rotate the cable connector, as it does not turn.





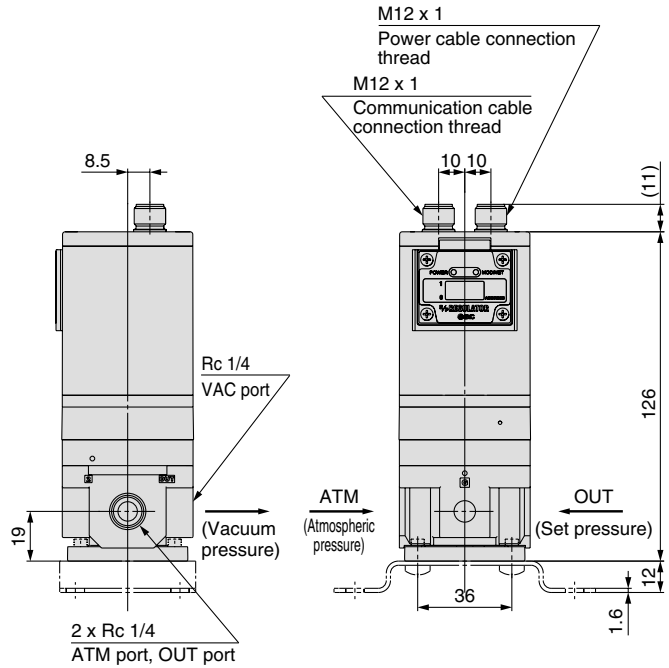
**Dimensions (CC-Link, DeviceNet™, PROFIBUS DP and RS-232C)**

**CC-Link/ITV2090-CC**



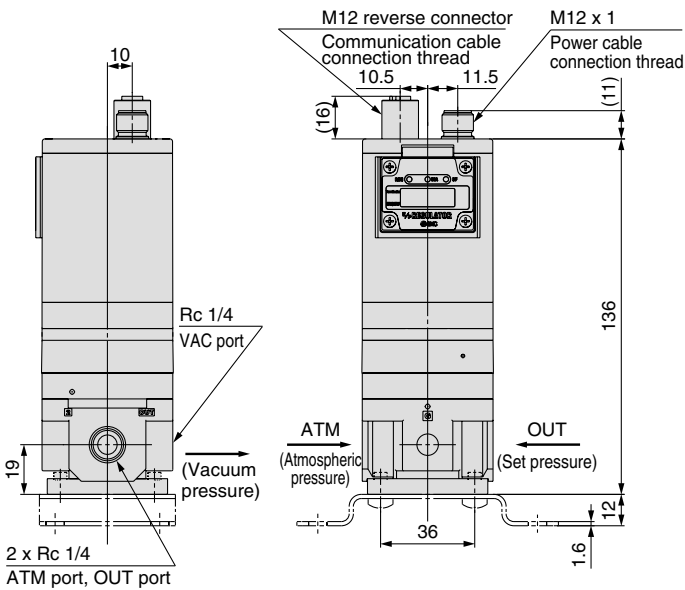
\* Dimensions not shown are as on P.37.

**DeviceNet™/ITV2090-DN**



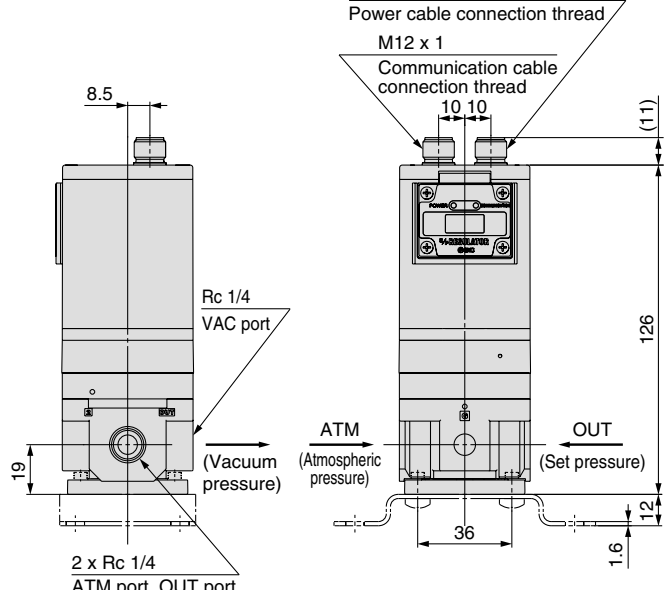
\* Dimensions not shown are as on P.37.

**PROFIBUS DP/ITV2090-PR**



\* Dimensions not shown are as on P.37.

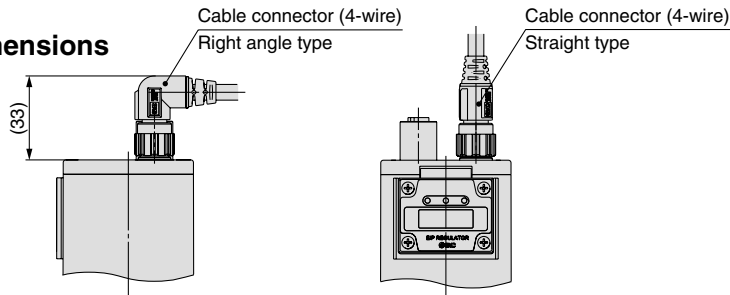
**RS-232C/ITV2090-RC**



\* Dimensions not shown are as on P.37.

**With power cable connector**

\* **ITV2090-CC, DN, PR, RC** common dimensions



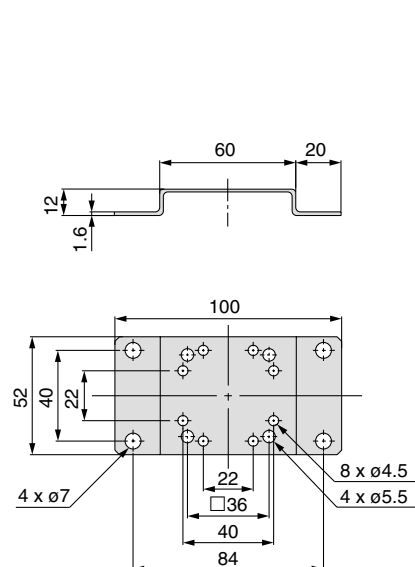
Note) Do not attempt to rotate the cable connector, as it does not turn.

## Accessory (Option)/Part No.

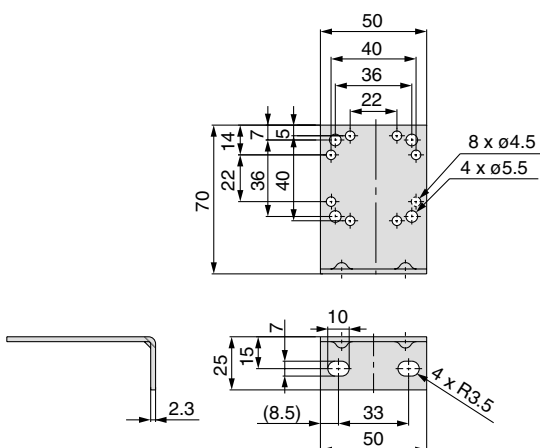
Description		Part no.
Flat bracket assembly		KT-ITV-F2
L-bracket assembly		KT-ITV-L2
Power cable connector	Straight type 3 m	P398020-500-3 (DeviceNet™: P398020-504-3)
	Right angle type 3 m	P398020-501-3 (DeviceNet™: P398020-505-3)
Bus adapter (CC-Link model only)		EX9-ACY00-MJ

## Dimensions

### Flat bracket



### L-bracket










# Safety Instructions

These safety instructions are intended to prevent hazardous situations and/or equipment damage. These instructions indicate the level of potential hazard with the labels of “**Caution,**” “**Warning**” or “**Danger.**” They are all important notes for safety and must be followed in addition to International Standards (ISO/IEC)<sup>Note 1)</sup>, and other safety regulations.

Note 1) ISO 4414: Pneumatic fluid power – General rules relating to systems.  
ISO 4413: Hydraulic fluid power – General rules relating to systems.  
IEC 60204-1: Safety of machinery – Electrical equipment of machines. (Part 1: General requirements)  
ISO 10218-1: Manipulating industrial robots - Safety.  
etc.

-  **Caution:** **Caution** indicates a hazard with a low level of risk which, if not avoided, could result in minor or moderate injury.
-  **Warning:** **Warning** indicates a hazard with a medium level of risk which, if not avoided, could result in death or serious injury.
-  **Danger :** **Danger** indicates a hazard with a high level of risk which, if not avoided, will result in death or serious injury.

## Warning

### **1. The compatibility of the product is the responsibility of the person who designs the equipment or decides its specifications.**

Since the product specified here is used under various operating conditions, its compatibility with specific equipment must be decided by the person who designs the equipment or decides its specifications based on necessary analysis and test results. The expected performance and safety assurance of the equipment will be the responsibility of the person who has determined its compatibility with the product. This person should also continuously review all specifications of the product referring to its latest catalogue information, with a view to giving due consideration to any possibility of equipment failure when configuring the equipment.

### **2. Only personnel with appropriate training should operate machinery and equipment.**

The product specified here may become unsafe if handled incorrectly. The assembly, operation and maintenance of machines or equipment including our products must be performed by an operator who is appropriately trained and experienced.

### **3. Do not service or attempt to remove product and machinery/equipment until safety is confirmed.**

1. The inspection and maintenance of machinery/equipment should only be performed after measures to prevent falling or runaway of the driven objects have been confirmed.
2. When the product is to be removed, confirm that the safety measures as mentioned above are implemented and the power from any appropriate source is cut, and read and understand the specific product precautions of all relevant products carefully.
3. Before machinery/equipment is restarted, take measures to prevent unexpected operation and malfunction.

### **4. Contact SMC beforehand and take special consideration of safety measures if the product is to be used in any of the following conditions.**

1. Conditions and environments outside of the given specifications, or use outdoors or in a place exposed to direct sunlight.
2. Installation on equipment in conjunction with atomic energy, railways, air navigation, space, shipping, vehicles, military, medical treatment, combustion and recreation, or equipment in contact with food and beverages, emergency stop circuits, clutch and brake circuits in press applications, safety equipment or other applications unsuitable for the standard specifications described in the product catalogue.
3. An application which could have negative effects on people, property, or animals requiring special safety analysis.
4. Use in an interlock circuit, which requires the provision of double interlock for possible failure by using a mechanical protective function, and periodical checks to confirm proper operation.



# Safety Instructions

## Caution

### 1. The product is provided for use in manufacturing industries.

The product herein described is basically provided for peaceful use in manufacturing industries.

If considering using the product in other industries, consult SMC beforehand and exchange specifications or a contract if necessary.

If anything is unclear, contact your nearest sales branch.

## Limited warranty and Disclaimer/Compliance Requirements

The product used is subject to the following “Limited warranty and Disclaimer” and “Compliance Requirements”. Read and accept them before using the product.

### Limited warranty and Disclaimer

1. The warranty period of the product is 1 year in service or 1.5 years after the product is delivered.<sup>Note 2)</sup>  
Also, the product may have specified durability, running distance or replacement parts. Please consult your nearest sales branch.
2. For any failure or damage reported within the warranty period which is clearly our responsibility, a replacement product or necessary parts will be provided.  
This limited warranty applies only to our product independently, and not to any other damage incurred due to the failure of the product.
3. Prior to using SMC products, please read and understand the warranty terms and disclaimers noted in the specified catalogue for the particular products.

**Note 2) Vacuum pads are excluded from this 1 year warranty.**

A vacuum pad is a consumable part, so it is warranted for a year after it is delivered.

Also, even within the warranty period, the wear of a product due to the use of the vacuum pad or failure due to the deterioration of rubber material are not covered by the limited warranty.

### Compliance Requirements

1. The use of SMC products with production equipment for the manufacture of weapons of mass destruction (WMD) or any other weapon is strictly prohibited.
2. The exports of SMC products or technology from one country to another are governed by the relevant security laws and regulations of the countries involved in the transaction. Prior to the shipment of a SMC product to another country, assure that all local rules governing that export are known and followed.



# Series ITV0000/1000/2000/3000 Specific Product Precautions 1

Be sure to read before handling. Refer to back pages 1 and 2 for Safety Instructions, "Handling Precautions for SMC Products" (M-E03-3) for Common Precautions.

## Series ITV0000/009 Precautions

### Air Supply

#### Caution

1. Install an air filter near this product on the supply side. Select a filtration degree of 5  $\mu\text{m}$  or less.
2. Compressed air containing large amounts of drainage can cause malfunction of this product and other pneumatic equipment. As a countermeasure, install an aftercooler, air dryer or Drain Catch, etc.
3. If large amounts of carbon dust are generated by the compressor, it can accumulate inside this product and cause malfunction.

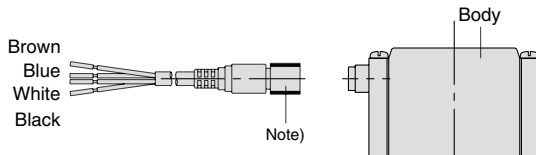
For details on the above compressed air quality, refer to SMC's "Air Preparation Systems".

### Wiring

#### Caution

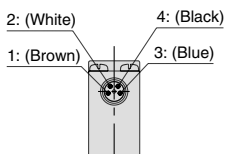
Connect the cable to the connector on the body with the wiring arranged as shown below. Proceed carefully, as incorrect wiring can cause damage.

Further, use DC power with sufficient capacity and a low ripple.



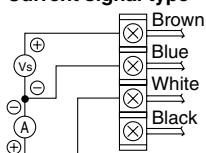
Terminal No.	1	2	3	4
Lead wire colour	Brown	White	Blue	Black
Wiring	Power	Signal	COM	Monitor

Note) A right angle type cable is also available. The entry direction for the right angle type connector is to downwards (SUP port side).  
Never turn the connector as it is not designed to turn. Using force to turn the connector will damage the connector coupling.



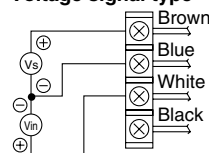
### Wiring Diagrams

#### Current signal type



Vs: Power Supply 24 V DC  $\pm 10\%$   
12 to 15 V DC  
A : Input signals 4 to 20 mA DC  
0 to 20 mA DC

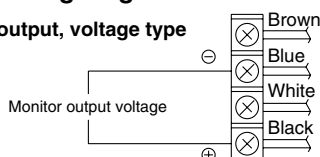
#### Voltage signal type



Vs : Power Supply 24 V DC  $\pm 10\%$   
12 to 15 V DC  
Vin: Input signals 0 to 5 V DC  
0 to 10 V DC

### Monitor output wiring diagram

#### Analogue output, voltage type



### Handling

#### Caution

1. Do not use a lubricator on the supply side of this product, as this can cause malfunction. When lubrication of the terminal equipment is necessary, connect a lubricator on the output side of this equipment.
2. If electric power is shut off while pressure is being applied, pressure will be retained on the output side.  
However, this output pressure is held only temporarily and is not guaranteed. If exhausting of this pressure is desired, shut off the power after reducing the set pressure, and discharge the air using a residual pressure exhaust valve, etc.
3. If power to this product is cut off due to a power failure, etc. when it is in a controlled state, output pressure will be retained temporarily. Handle carefully when operating with output pressure released to the atmosphere, as air will continue to flow out.
4. If supply pressure to this product is interrupted while the power is still on, the internal solenoid valve will continue to operate and a humming noise may be generated.

Since the life of the product may be shortened, shut off the power supply also when supply pressure is shut off.

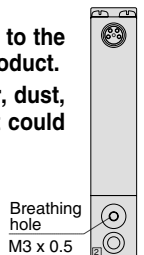
5. This product is adjusted for each specification at the time of shipment from the factory. Avoid careless disassembly or removal of parts, as this can lead to malfunction.
6. The optional cable connector is a 4 wire type. When the monitor output (analogue output or switch output) is not being used, keep it from touching the other wires as this can cause malfunction.
7. Please note that the right angle cable does not rotate and is limited to only one entry direction.
8. Take the following steps to avoid malfunction due to noise.
  - 1) Remove power supply noise during operation by installing a line filter, etc. in the AC power line.
  - 2) For avoiding the influence of noise or static electricity, install this product and its wiring as far as possible from strong electric fields such as those of motors and power lines, etc.
  - 3) Be sure to implement protective measures against load surge for induction loads (solenoid valves, relays, etc.).

9. The product characteristics are confined to the static state. The pressure may not reach the set pressure and the life of the product may extremely be shortened with buzzing of the solenoid valve when air is consumed on the output side, especially when it is used with a system which has a large amount of leakage.

10. For details on the handling of this product, refer to the instruction manual which is included with the product.

11. In locations where the body is exposed to water, dust, etc., there is a possibility that moisture or dust could enter the body through the breathing hole.

Mount a fitting and tube (M-3AU-3 fitting and TIU01m-mm tube recommended) onto the breathing hole and run the tube to a location not exposed to moisture or dust, etc.



12. If this product will be used in a sealed environment, such as inside an inspection box, a ventilation fan should be installed to ensure adequate ventilation as this product can generate heat in some operating conditions.

When the power is turned on, a noise may be generated as a means of checking the operating condition of the solenoid valve. This noise is normal and does not indicate a fault.



# Series ITV0000/1000/2000/3000 Specific Product Precautions 2

Be sure to read before handling. Refer to back pages 1 and 2 for Safety Instructions, "Handling Precautions for SMC Products" (M-E03-3) for Common Precautions.

## Series ITV1000/2000/3000/209 □ Precautions

### Piping

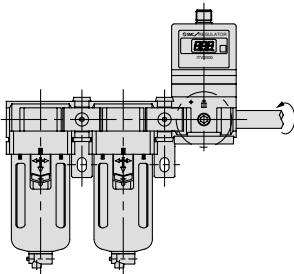
#### ⚠ Warning

1. Screw piping together with the recommended proper torque while holding the side that has female threads.

Looseness or faulty sealing will occur if tightening torque is insufficient, while thread damage will result if the torque is excessive. Furthermore, if the side with the female threads is not held while tightening, excessive force will be applied directly to the piping brackets, etc. causing damage or other problems.

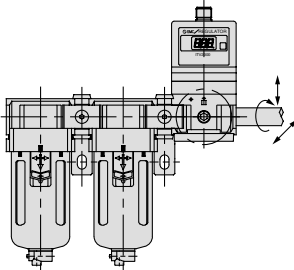
Recommended proper torque: N · m

Connection thread	1/8	1/4	3/8	1/2
Torque	7 to 9	12 to 14	22 to 24	28 to 30



2. Do not allow twisting or bending moment to be applied other than the weight of the equipment itself.

Provide separate support for external piping, as damage may otherwise occur.



3. Since excessive moment loads and the propagation of vibrations, etc. can easily result from inflexible piping made of materials such as steel, avoid these problems by using flexible tubing for intermediate connections.

#### ⚠ Caution

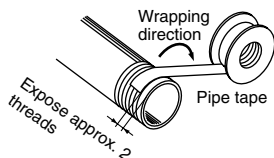
1. Preparation before piping

Before piping is connected, it should be thoroughly blown out with air (flushing) or washed to remove chips, cutting oil and other debris from inside the pipe.

2. Wrapping of pipe tape

When screwing together pipes and fittings, etc., be sure that chips from the pipe threads and sealing material do not get inside the piping.

Also, when pipe tape is used, leave 1.5 to 2 thread ridges exposed at the end of the threads.



### Operating Environment

#### ⚠ Warning

1. Do not operate in locations having an atmosphere of corrosive gases, chemicals, sea water, or where there will be contact with them.
2. Do not operate in locations where vibration or impact occurs.

#### ⚠ Caution

1. In locations where the body is exposed to water, steam, dust, etc., there is a possibility that moisture or dust could enter the body through the EXH (solenoid) ports, thereby causing problems.
2. To overcome this, simply install tubing to each port, using the fittings, and extend the tubing so that the other end is at a location where no water splash, etc. occurs. Make sure not to bend, or block the I.D. of the tubing as this will have a detrimental effect on the pressure control.
3. Do not operate in locations where vibration or impact occurs.
4. In locations which receive direct sunlight, provide a protective cover, etc.
5. In locations near heat sources, block off any radiated heat.
6. In locations where there is contact with spatter from water, oil or solder etc., implement suitable protective measures.

### Air Supply

#### ⚠ Warning

1. Employ suitable protective measures in locations where there is contact with water droplets, oil or welding spatter, etc.
2. Consult with SMC when used in power plants, or if instrumentation related.

#### ⚠ Caution

1. Install an air filter near this product on the supply side. Select a filtration degree of 5 μm or less.
2. Compressed air containing large amounts of drainage can cause malfunction of this product and other pneumatic equipment. As a countermeasure, install an aftercooler, air dryer or Drain Catch, etc.
3. If large amounts of carbon dust are generated by the compressor, it can accumulate inside this product and cause malfunction. For details on the above compressed air quality, refer to SMC's "Air Preparation Systems".



# Series ITV0000/1000/2000/3000

## Specific Product Precautions 3

Be sure to read before handling. Refer to back pages 1 and 2 for Safety Instructions, "Handling Precautions for SMC Products" (M-E03-3) for Common Precautions.

### Series ITV1000/2000/3000/209 □ Precautions

#### Handling

#### ⚠ Caution

- Do not use a lubricator on the supply side of this product, as this can cause malfunction. When lubrication of terminal equipment is necessary, connect a lubricator on the output side of this equipment.
- If electric power is shut off while pressure is being applied, pressure will be retained on the output side.  
However, this output pressure is held only temporarily and is not guaranteed. If exhausting of this pressure is desired, shut off the power after reducing the set pressure, and discharge the air using a residual pressure exhaust valve, etc.
- If power to this product is cut off due to a power failure, etc. when it is in a controlled state, output pressure will be retained temporarily. Handle carefully when operating with output pressure released to the atmosphere, as air will continue to flow out.
- If supply pressure to this product is interrupted while the power is still on, the internal solenoid valve will continue to operate and a humming noise may be generated. Since the life of the product may be shortened, shut off the power supply also when supply pressure is shut off.
- In this product, the output side pressure cannot be completely relieved within the range of 0.005 MPa or less. If it is desired to reduce the pressure completely to 0 MPa, install a 3 way valve or other device on the output side to exhaust the pressure.
- This product is adjusted for each specification at the time of shipment from the factory. Avoid careless disassembly or removal of parts, as this can lead to malfunction.
- The optional cable connector is a 4 wire type. When the monitor output (analogue output or switch output) is not being used, keep it from touching the other wires as this can cause malfunction.
- Please note that the right angle cable does not rotate and is limited to only one entry direction.
- Take the following steps to avoid malfunction due to noise.
  - Remove power supply noise during operation by installing a line filter, etc. in the AC power line.
  - For avoiding the influence of noise or static electricity, install this product and its wiring as far as possible from strong electric fields such as those of motors and power lines, etc.
  - Be sure to implement protective measures against load surge for induction loads (solenoid valves, relays, etc.).

#### Handling

#### ⚠ Caution

- Due to the large volume of the output side, a loud exhaust noise will be produced when being used for the purpose of a relief function. Therefore, install a silencer (SMC Series AN200 or AN400) on the exhaust port (EXH port). The port sizes are Rc 1/8, Rc 1/4 and Rc 1/2.
- Specifications on page 10 is in case of static environment. Pressure may fluctuate when air is consumed at the output side.
- For details on the handling of this product, refer to the instruction manual which is included with the product.

#### Design and Selection

#### ⚠ Caution

#### 1. The direct-current power supply to combine should be UL authorized power supply.

- (1) Limited voltage current circuit in accordance with UL 508.  
A circuit in which power is supplied by the secondary coil of a transformer that meets the following conditions.
- Maximum voltage (with no load):  
30 Vrms (42.4 V peak) or less
  - Maximum current:  
(1) 8 A or less (including when short circuited)  
(2) limited by circuit protector (such as fuse) with the following ratings.

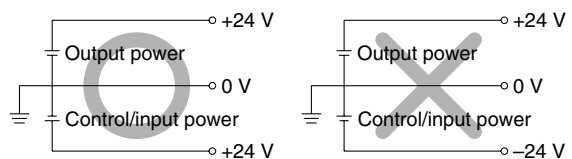
No load voltage (V peak)	Max. current rating
0 to 20 [V]	5.0
Above 20 to 30 [V]	100 Peak voltage

- (2) A circuit using max. 30 Vrms or less (42.4 V peak), which is powered by UL1310 or UL1585 compatible Class-2 power supply.

#### 2. Operate these products only within the specified voltage.

Using voltages beyond the specified levels could cause faults or malfunctions.

#### 3. Use 0 V as the baseline for the power supplied to the unit for output, control and input.







# Series ITV0000/1000/2000/3000 Specific Product Precautions 4

Be sure to read before handling. Refer to back pages 1 and 2 for Safety Instructions, "Handling Precautions for SMC Products" (M-E03-3) for Common Precautions.

## Series ITV1000/2000/3000/209□ Precautions

### Wiring

#### Caution

Connect the cable to the connector on the body with the wiring arranged as shown below. Proceed carefully, as incorrect wiring can cause damage. Further, use DC power with sufficient capacity and a low ripple.

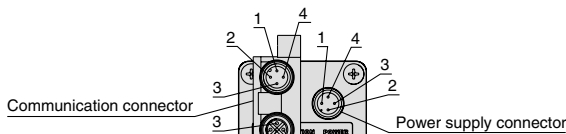


#### Current Signal Type Voltage Signal Type

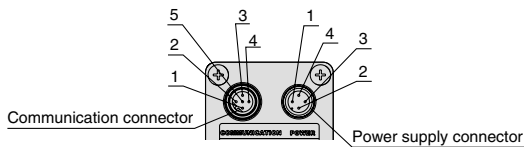
1	Brown	Power supply
2	White	Input signal
3	Blue	GND (COMMON)
4	Black	Monitor output

#### Preset Input Type

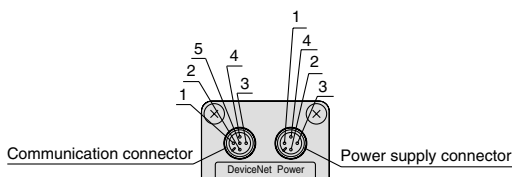
1	Brown	Power supply
2	White	Input signal 1
3	Blue	GND (COMMON)
4	Black	Input signal 2



#### CC-Link



#### PROFIBUS DP



#### DeviceNet™, RS-232C

IN/OUT communication connector				
Pin No.	CC-Link	DeviceNet™	PROFIBUS DP	RS-232C
1	SLD	DRAIN	NC	NC
2	DB	V+	RxD/TxD-N	TxD
3	DG	V-	NC	RxD
4	DA	CAN_H	RxD/TxD-P	GND
5	NC	CAN_L	NC	NC

Power supply connector				
Pin No.	CC-Link	DeviceNet™	PROFIBUS DP	RS-232C
1	Vcc	Vcc	Vcc	Vcc
2	FG	No connection	NC	NC
3	GND	GND	GND	GND
4	NC	No connection	NC	FG

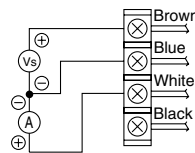
Note) The cable is also available in a right-angle type. A right-angle type connector is attached facing left (towards the SUP port). On communication models, the connector faces backwards (towards the EXH port). Do not attempt to rotate, as the connector does not turn.

#### Trademark Information

DeviceNet™ is a trademark of ODVA.

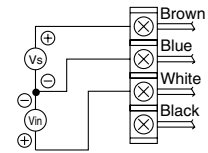
#### Wiring diagram

##### Current signal type



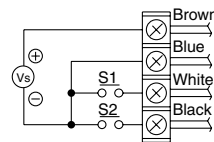
Vs : Power supply 24 VDC  
12 to 15 VDC  
A : Input signal 4 to 20 mADC  
0 to 20 mADC

##### Voltage signal type



Vs : Power supply 24 VDC  
12 to 15 VDC  
Vin : Input signal 0 to 5 VDC  
0 to 10 VDC

#### Preset input type



Vs : Power supply 24 VDC  
12 to 15 VDC

One of the preset pressures P1 through P4 is selected by the ON/OFF combination of S1 and S2.

S1	OFF	ON	OFF	ON
S2	OFF	OFF	ON	ON
Preset pressure	P1	P2	P3	P4

\* For safety reasons, it is recommended that one of the preset pressures be set to 0 MPa.

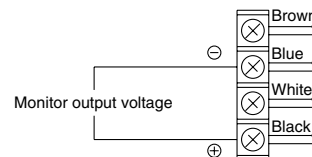
\* Preset pressures are set based on the minimum unit for output display.

MPa	kgf/cm <sup>2</sup>	bar	psi	kPa
0.01	0.01	0.01	0.1	1

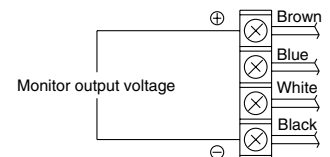
Note that this is 1 psi for 130-psi types.

#### Monitor output wiring diagram

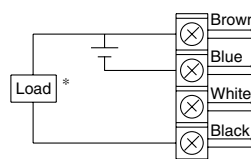
##### Analogue output: Voltage type



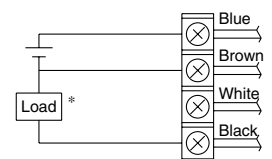
##### Analogue output: Current type (Sink type)



##### Switch output: NPN type



##### Switch output: PNP type



\* When 30 mADC or more is applied, detecting device for overcurrent starts activating and then emits an error signal. (Error number "5")



# Series ITV0000/1000/2000/3000 Specific Product Precautions 5

Be sure to read before handling. Refer to back pages 1 and 2 for Safety Instructions, "Handling Precautions for SMC Products" (M-E03-3) for Common Precautions.

## Series ITV1000/2000/3000/209□ Precautions

### Set Pressure Range

The regulating pressure range, by unit of standard measured pressure, is shown in the table below.

Regulating pressure range, by unit of standard measured pressure

Unit	Regulating pressure range			
	ITV□01□	ITV□03□	ITV□05□	ITV209□
MPa	0.005 to 0.1	0.005 to 0.5	0.005 to 0.9	—
kgf/cm <sup>2</sup>	0.05 to 1	0.05 to 5	0.05 to 9	—
bar	0.05 to 1	0.05 to 5	0.05 to 9	—
psi	0.7 to 15	0.7 to 70	0.7 to 130	—
kPa	5 to 100	5 to 500	5 to 900	-1.3 to -80

### CE Mark

In case that a CE marked ITV (including a special product) is used with a cable which is purchased separately, mount a ferrite core to the cable if it is necessary according to the table below.

#### ITV0000 series

Model	Ferrite core	Recommended power cable part No.
ITV0000-□□-Q	Not necessary	M8-4DSX3MG4 (Straight type) ELWIKA-KV4408 PVC025 2M (Right angle type)

#### ITV1000/2000/3000 series

Model	Ferrite core	Recommended power cable part No.
ITV□□-□□-Q	Necessary	P398010-12 (Straight type) (With ferrite core) P398010-13 (Right angle type) (With ferrite core)
ITV□□-CC□-Q	Not necessary	P398020-500-3 (Straight type) P398020-501-3 (Right angle type)
ITV□□-DN□-Q	Necessary (Ferrite core is attached to the body)	P398020-504-3 (Straight type) P398020-505-3 (Right angle type)
ITV□□-PR□-Q ITV□□-RC□-Q	Necessary (Ferrite core is attached to the body)	P398020-500-3 (Straight type) P398020-501-3 (Right angle type)

(Note) Length of the recommended cable is 3m (however, ELWIKA-KV4408 PVC025 2M is 2 metres. Consult SMC for length of other cables)



# Series ITV0000/1000/2000/3000

## Specific Product Precautions 6

Be sure to read before handling. Refer to back pages 1 and 2 for Safety Instructions, "Handling Precautions for SMC Products" (M-E03-3) for Common Precautions.

### Series ITV009□/209□ Precautions

#### Handling

#### Caution

1. Connect the vacuum pump to the port, which is labeled "VAC".
2. Pressure adjustment changes from "atmospheric pressure to vacuum pressure" when the input signal is increased, and from "vacuum pressure to atmospheric pressure" when the input signal is decreased.
3. When adjusting the vacuum pressure, be careful not to block the atmospheric pressure inlet port labeled "ATM".
4. Since this product is designed exclusively for use with negative pressure, be careful not to apply positive pressure in error.
5. In cases where the vacuum pump being used has a relatively small capacity, or the piping has a small inside diameter, etc., large variations in the set pressure (the range of pressure variation when changing from no flow to flow state) may appear. In this situation, the vacuum pump or the piping, etc. should be changed. In cases where it is not practical to change the vacuum pump, install a capacity tank (volume depending on the operating conditions) on the VAC side.
6. The vacuum pressure response time after a change in the input signal is influenced by the internal volume on the setting side (including piping). Since the capacity of the vacuum pump also influences the response time, give careful consideration to these points before operation.
7. If the electric power is shut off when in a control state, the pressure on the setting side will go into a holding condition. However, this setting side pressure will be held only temporarily and is not guaranteed. In addition, when atmospheric pressure is desired, shut off the power after reducing the set pressure, and then introduce atmospheric pressure by using a vacuum release valve, etc.
8. If the power for this product is cut off by a power failure, etc. when it is in a controlled state, the setting side pressure will be held temporarily. Further, if operated without sealing the setting side so that atmospheric air is sucked in, handle with care as air will continue to be sucked in.
9. If the VAC side pressure to this product is interrupted while the power is still on, the internal solenoid valve will continue to operate and may cause a humming noise. Since this may shorten the life of the product, be sure to shut off the power when the VAC side pressure is shut off.
10. The setting side pressure cannot be completely released from this product in the range below  $-1.3$  kPa. In cases where the pressure needs to be reduced completely to 0 kPa, install a 3 port valve, etc. on the setting side to discharge the residual pressure.
11. This product is adjusted for each specification at the factory before shipment. Avoid careless disassembly or removal of parts, as this can cause failure.
12. The optional cable connector is a 4-wire type. When the monitor output (analog output, switch output) is not being used, keep it from touching the other wires, as this can cause malfunction.
13. Use caution that the right angle cable does not rotate and is limited to only one entry direction.
14. Take the following steps to avoid malfunction due to noise.
  - 1) Eliminate power supply noise during operation by installing a line filter, etc. in the AC power line.
  - 2) For avoiding the influence of noise or static electricity, install this product and its wiring as far as possible from strong electric fields such as those of motors and power lines, etc.
  - 3) Make sure to take protective measures against load surge for an induction load (solenoid valves, relays, etc.).
15. Refer to the instruction manual included with the product for details on its handling.


**EUROPEAN SUBSIDIARIES:**

**Austria**

SMC Pneumatik GmbH (Austria).  
Girakstrasse 8, A-2100 Korneuburg  
Phone: +43 2262-622800, Fax: +43 2262-62285  
E-mail: office@smc.at  
http://www.smc.at


**France**

SMC Pneumatique, S.A.  
1, Boulevard de Strasbourg, Parc Gustave Eiffel  
Bussy Saint Georges F-77607 Marne La Vallée Cedex 3  
Phone: +33 (0)1-6476 1000, Fax: +33 (0)1-6476 1010  
E-mail: contact@smc-france.fr  
http://www.smc-france.fr


**Netherlands**

SMC Pneumatics BV  
De Ruyterkade 120, NL-1011 AB Amsterdam  
Phone: +31 (0)20-5318888, Fax: +31 (0)20-5318880  
E-mail: info@smcpneumatics.nl  
http://www.smc-pneumatics.nl


**Spain**

SMC España, S.A.  
Zuazobidea 14, 01015 Vitoria  
Phone: +34 945-184 100, Fax: +34 945-184 124  
E-mail: post@smc.smces.es  
http://www.smc.eu


**Belgium**

SMC Pneumatics N.V./S.A.  
Nijverheidsstraat 20, B-2160 Wommelgem  
Phone: +32 (0)3-355-1464, Fax: +32 (0)3-355-1466  
E-mail: info@smcpneumatics.be  
http://www.smc-pneumatics.be


**Germany**

SMC Pneumatik GmbH  
Boschring 13-15, D-63329 Egelsbach  
Phone: +49 (0)6103-4020, Fax: +49 (0)6103-402139  
E-mail: info@smc-pneumatik.de  
http://www.smc-pneumatik.de


**Norway**

SMC Pneumatics Norway A/S  
Vollsveien 13 C, Granfos Næringspark N-1366 Lysaker  
Tel: +47 67 12 90 20, Fax: +47 67 12 90 21  
E-mail: post@smc-norge.no  
http://www.smc-norge.no


**Sweden**

SMC Pneumatics Sweden AB  
Ekhagsvägen 29-31, S-141 71 Huddinge  
Phone: +46 (0)8-603 12 00, Fax: +46 (0)8-603 12 90  
E-mail: post@smcpneumatics.se  
http://www.smc.nu


**Bulgaria**

SMC Industrial Automation Bulgaria EOOD  
Business Park Sofia, Building 8 - 6th floor, BG-1715 Sofia  
Phone: +359 2 9744492, Fax: +359 2 9744519  
E-mail: office@smc.bg  
http://www.smc.bg


**Greece**

SMC Hellas EPE  
Anagniniseos 7-9 - P.C. 14342 N. Philadelphia, Athens  
Phone: +30-210-2717265, Fax: +30-210-2717766  
E-mail: sales@smchellas.gr  
http://www.smchellas.gr


**Poland**

SMC Industrial Automation Polska Sp.z.o.o.  
ul. Poloneza 89, PL-02-826 Warszawa,  
Phone: +48 22 211 9600, Fax: +48 22 211 9617  
E-mail: office@smc.pl  
http://www.smc.pl


**Switzerland**

SMC Pneumatik AG  
Dorfstrasse 7, CH-8484 Weisslingen  
Phone: +41 (0)52-396-3131, Fax: +41 (0)52-396-3191  
E-mail: info@smc.ch  
http://www.smc.ch


**Croatia**

SMC Industrijska automatika d.o.o.  
Cromerec 12, HR-10000 ZAGREB  
Phone: +385 1 377 66 74, Fax: +385 1 377 66 74  
E-mail: office@smc.hr  
http://www.smc.hr


**Hungary**

SMC Hungary Ipari Automatizálási Kft.  
Torbágy út 19, H-2045 Törökbálint  
Phone: +36 23 511 390, Fax: +36 23 511 391  
E-mail: office@smc.hu  
http://www.smc.hu


**Portugal**

SMC Sucursal Portugal, S.A.  
Rua de Engº Ferreira Dias 452, 4100-246 Porto  
Phone: +351 226 166 570, Fax: +351 226 166 589  
E-mail: postpt@smc.smces.es  
http://www.smc.eu


**Turkey**

Entek Pnömatik San. ve Tic. A\*.  
Perpa Ticaret Merkezi B Blok Kat:11 No: 1625, TR-34386, Okmeydanı, Istanbul  
Phone: +90 (0)212-444-0762, Fax: +90 (0)212-221-1519  
E-mail: smc@entek.com.tr  
http://www.entek.com.tr


**Czech Republic**

SMC Industrial Automation CZ s.r.o.  
Hudcova 78a, CZ-61200 Brno  
Phone: +420 5 414 24611, Fax: +420 5 412 18034  
E-mail: sales@smcpneumatics.cz  
http://www.smc.cz


**Ireland**

SMC Pneumatics (Ireland) Ltd.  
2002 Citywest Business Campus, Naas Road, Saggart, Co. Dublin  
Phone: +353 (0)1-403 9000, Fax: +353 (0)1-464-0500  
E-mail: sales@smcpneumatics.ie  
http://www.smc-pneumatics.ie


**Romania**

SMC Romania srl  
Str. Fruzinei 29, Sector 2, Bucharest  
Phone: +40 213205111, Fax: +40 213261489  
E-mail: smcromania@smcromania.ro  
http://www.smcromania.ro


**UK**

SMC Pneumatics (UK) Ltd  
Vincent Avenue, Crownhill, Milton Keynes, MK8 0AN  
Phone: +44 (0)845 121 5122 Fax: +44 (0)1908-555064  
E-mail: sales@smcpneumatics.co.uk  
http://www.smc-pneumatics.co.uk


**Denmark**

SMC Pneumatik A/S  
Egeskovvej 1, DK-8700 Horsens  
Phone: +45 70252900, Fax: +45 70252901  
E-mail: smc@smcdk.com  
http://www.smcdk.com


**Italy**

SMC Italia S.p.A  
Via Garibaldi 62, I-20061 Carugate, (Milano)  
Phone: +39 (0)2-927111, Fax: +39 (0)2-9271365  
E-mail: mailbox@smcitalia.it  
http://www.smcitalia.it


**Russia**

SMC Pneumatik LLC.  
4B Sverdlovskaja nab, St. Petersburg 195009  
Phone: +7 812 718 5445, Fax: +7 812 718 5449  
E-mail: info@smc-pneumatik.ru  
http://www.smc-pneumatik.ru


**Estonia**

SMC Pneumatics Estonia OÜ  
Laki 12, 106 21 Tallinn  
Phone: +372 6510370, Fax: +372 65110371  
E-mail: smc@smcpneumatics.ee  
http://www.smc-pneumatics.ee


**Latvia**

SMC Pneumatics Latvia SIA  
Dzelzavas str. 120g, Rīga LV-1021, LATVIA  
Phone: +371 67817700, Fax: +371 67817701  
E-mail: info@smclv.lv  
http://www.smclv.lv


**Slovakia**

SMC Priemyselná Automatizácia, s.r.o.  
Fatranská 1223, 01301 Teplicka Nad Váhom  
Phone: +421 41 3213212 - 6 Fax: +421 41 3213210  
E-mail: office@smc.sk  
http://www.smc.sk


**Finland**

SMC Pneumatics Finland Oy  
PL72, Tiistinniityntie 4, SF-02231 ESPOO  
Phone: +358 207 513513, Fax: +358 207 513595  
E-mail: smcfin@smc.fi  
http://www.smc.fi


**Lithuania**

SMC Pneumatics Lietuva, UAB  
Oslo g.1, LT-04123 Vilnius  
Phone: +370 5 2308118, Fax: +370 5 2648126  
E-mail: info@smclt.lt  
http://www.smclt.lt


**Slovenia**

SMC Industrijska Avtomatika d.o.o.  
Mirnska cesta 7, SI-8210 Trebnje  
Phone: +386 7 3885412 Fax: +386 7 3885435  
E-mail: office@smc.si  
http://www.smc.si


**OTHER SUBSIDIARIES WORLDWIDE:**

ARGENTINA, AUSTRALIA, BOLIVIA, BRASIL, CANADA, CHILE,  
CHINA, HONG KONG, INDIA, INDONESIA, MALAYSIA, MEXICO,  
NEW ZEALAND, PHILIPPINES, SINGAPORE, SOUTH KOREA,  
TAIWAN, THAILAND, USA, VENEZUELA

<http://www.smc.eu>  
<http://www.smcworld.com>