

4 3 2 1

THIS DRAWING IS UNPUBLISHED. RELEASED FOR PUBLICATION
 © COPYRIGHT BY TYCO ELECTRONICS CORPORATION. ALL RIGHTS RESERVED.

LOC	DIST	REVISIONS					
ES	00	P	LTR	DESCRIPTION	DATE	DWN	APVD
		B1		REVISED ECR-10-019029	19SEP10	J.H	S.Y

(AS SHOWN : -6)

Dimensions: ±0.1, 1.75, ±0.1, 4.0, PITCH ±0.1, 12.0, ±0.1, 2.0 PITCH, 6.5, 4.3, 2.2, 1.2, "G" ∅1.5^{+0.1}/₀, ±0.3, ±0.1, A ±0.1, B, A/2, "H", ±0.1, 1.75, "G"

1.0

SECT "G"- "G"

Dimensions: 6.80, 2.20, 3.90, 1.20, ±0.1, 12.0 PITCH, ±0.1, 2.0 PITCH, ±0.1, 4.0, ∅1.5^{+0.1}/₀, ±0.1, 1.75, 2.75, 3.65, ±0.1, A ±0.1, A/2, 1.0, ±0.1, 1.75, 1.0

9P ONLY

8.15 ±0.1, 0.5

SECT "H"- "H"

TOP OF REEL →

∅370, WINDING THE COVER TAPE AROUND THE OUTER PERIPHERY IN A TURN, PEELING ANGLE, 165-180°, 15 HOLES, WITHOUT CHARGE, WITH PRODUCT CHARGE, WITHOUT CHARGE, 300mm APPROX, 600mm APPROX

Fig-1

BLACK		44.0	40.50	20.25	25.60	9	2-292175-9	
		44.0	40.4	20.2	22.9	8	2- -8	
		32.0	28.4	14.2	20.9	7	2- -7	
		32.0	28.4	14.2	18.9	6	2- -6	
		32.0	28.4	14.2	16.9	5	2- -5	
		32.0	28.4	14.2	14.9	4	2- -4	
		32.0	28.4	14.2	12.9	3	2- -3	
WITH		32.0	28.4	14.2	10.9	700	2 2-292175-2	
NATURAL		44.0	40.50	20.25	25.60	9	292175-9	
		44.0	40.4	20.2	22.9	8	-8	
		32.0	28.4	14.2	20.9	7	-7	
		32.0	28.4	14.2	18.9	6	-6	
		32.0	28.4	14.2	16.9	5	-5	
		32.0	28.4	14.2	14.9	4	-4	
		32.0	28.4	14.2	12.9	3	-3	
WITH		32.0	28.4	14.2	10.9	700	2 292175-2	
COLOR	PLATE	D	C	B	A	QTY/REEL	POS	TAPING P/N

NOTES:
 1. PEELING RESISTANCE: 0.196N(20gf)-0.686N(70gf)
 SPEED: 300mm/min

TOLERANCE UNLESS OTHERWISE SPECIFIED

10>*	±0.2
30>*>10	±0.25
100>*>30	±0.3
ANGLE	±3°

THIS DRAWING IS A CONTROLLED DOCUMENT.		DWN	JACH HOU	19SEP10	Tyco Electronics Corporation Shanghai, P.R.China,200233	
DIMENSIONS: MM		CHK	MARTIN LI	19SEP10		
TOLERANCES UNLESS OTHERWISE SPECIFIED:		APVD	STEVEN YAO	19SEP10		
0 PLC ± 1 PLC ± 2 PLC ± 3 PLC ± 4 PLC ± ANGLES ±		PRODUCT SPEC	108-60016			
MATERIAL		FINISH	108-60016		NAME	ON TAPING (EMBOSS) TE CT CONNECTOR POST HEADER ASS'Y (BOX-V SMT W/O BOSS & W/TAI)
		FINISH	108-60016		SIZE	A3
		FINISH	108-60016		CAGE CODE	00779
		FINISH	108-60016		DRAWING NO	C=292175
		FINISH	108-60016		RESTRICTED TO	-
		FINISH	108-60016		SCALE	1/1
		FINISH	108-60016		SHEET	1 OF 2
		FINISH	108-60016		REV	B1

AMP 1470-19 REV 31MAR2000

4

3

2

1

THIS DRAWING IS UNPUBLISHED.

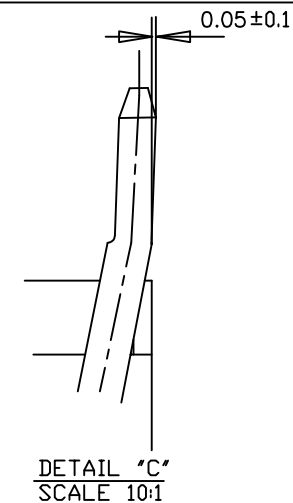
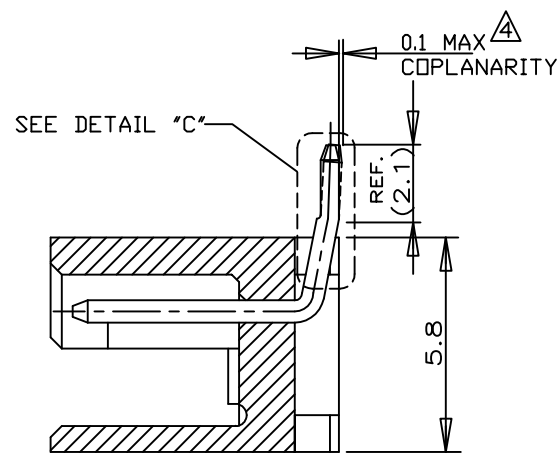
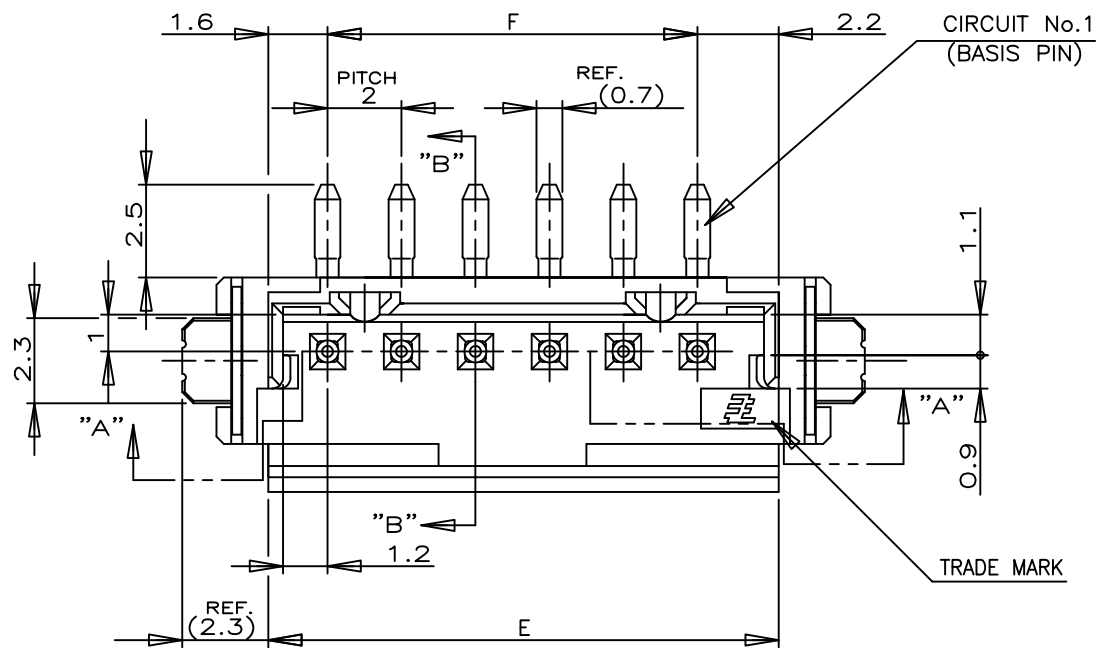
RELEASED FOR PUBLICATION

© COPYRIGHT BY TYCO ELECTRONICS CORPORATION. ALL RIGHTS RESERVED.

LOC ES DIST 00

REVISIONS

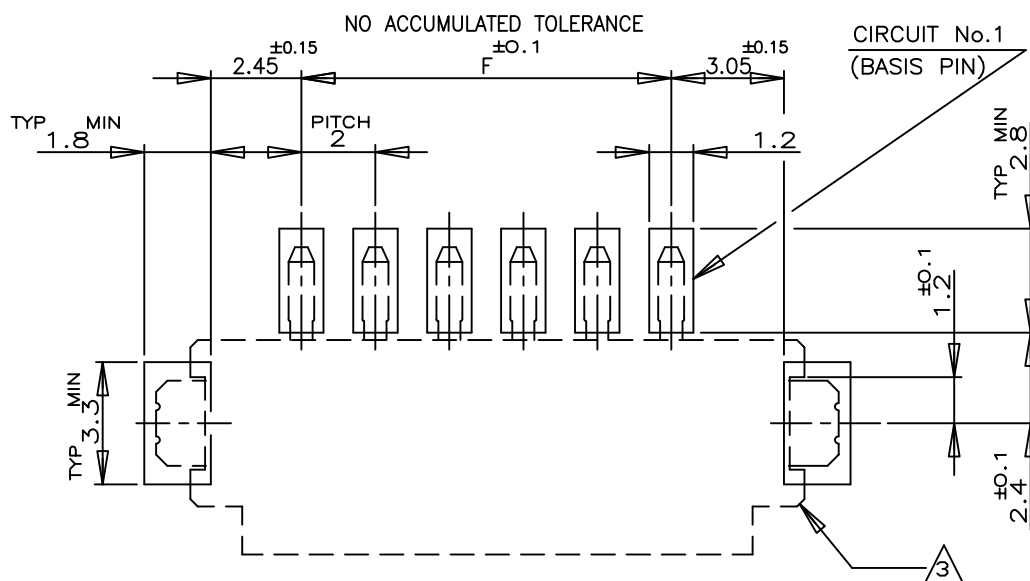
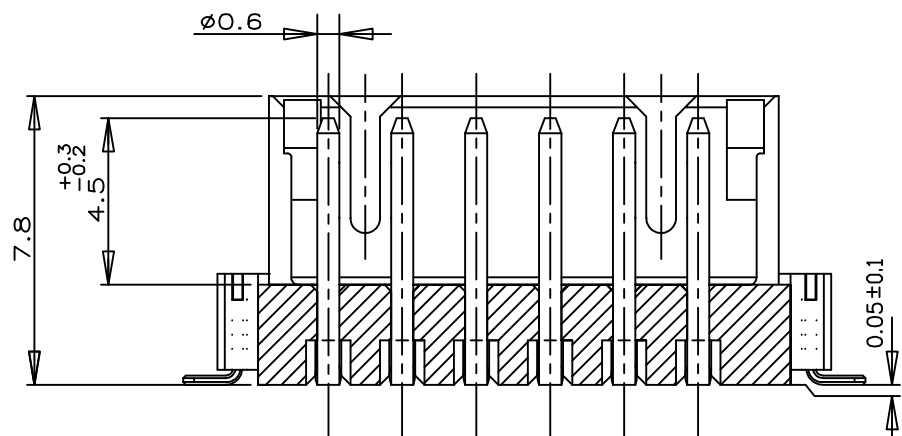
P	LTR	DESCRIPTION	DATE	DWN	APVD
-	-	SEE SHEET 1	-	-	-



NOTES;

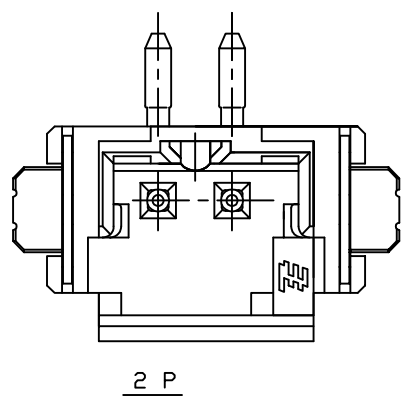
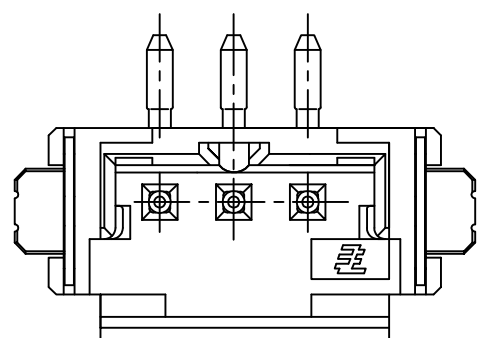
2. MATERIAL:HSG-6T PA(G.F.30%)(UL94V-0)
 COLOR:NATURAL,BLACK
 POST:TIN BRASS
 TAIL: TIN BRASS

△ OCCUPANT AREA ON PC BOARD
 △ TO BE MEASURED WITH CONNECTOR PLACED ON HORIZONTAL DATUM SURFACE,FLOAT OF SOLDER TINE AND TAIL FROM DATUM SURFACE IS 0.1mm MAX



RECOMENOED P.C.BOARD LAYOUT (P.C.B THK:0.8mm MIN)

16.0	19.8	9	2-292175-9	292175-9
14.0	17.8	8	2-▲-8	▲-8
12.0	15.8	7	2-▲-7	▲-7
10.0	13.8	6	2-▲-6	▲-6
8.0	11.8	5	2-▲-5	▲-5
6.0	9.8	4	2-▲-4	▲-4
4.0	7.8	3	2-▲-3	▲-3
2.0	5.8	2	2-292175-2	292175-2
F	E	POS.	BLACK	NATURAL
P/N				



TOLERANCES UNLESS OTHERWISE SPECIFIED:
 10** : ±0.2
 30**>10 : ±0.25
 100**>30 : ±0.3
 ANGEL : ±3°

THIS DRAWING IS A CONTROLLED DOCUMENT.

DWN -
 CHK -
 APVD -

Tyco Electronics Tyco Electronics Corporation
 Shanghai, P.R.China,200233

NAME

ON TAPING (EMBOSS)
 SMT TYPE POST HDR ASS'Y(V)
 W/O BOSS &WITH TAIL TYPE

PRODUCT SPEC 108-60016
 APPLICATION SPEC -

SIZE A3 CAGE CODE 00779 DRAWING NO C=292175 RESTRICTED TO

MATERIAL SEE NOTE FINISH SEE NOTE WEIGHT -

CUSTOMER DRAWING SCALE 5:1 SHEET 2 OF 2 REV B1