

Tube Cutter

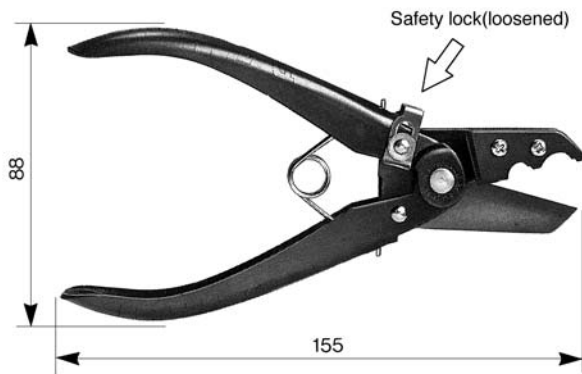
# Series TK

Tube Cutter: TK-1

Perpendicular cutting

Reduced operating force

Enclosure/safety lock contained

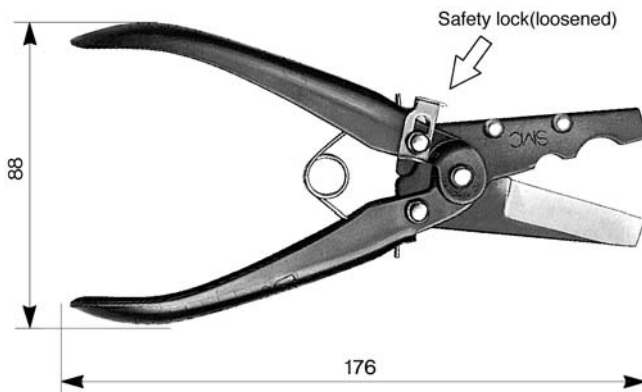


Note) Never cut metals such as electric wires.

Part No.	TK-1
Tube material	Nylon, soft nylon, polyurethane, and other soft plastic tube
Tube O.D.	13mm or less
Weight	140g

Tube Cutter: TK-2

Possible to cut a tube up to 18mm.



Note) Never cut metals such as electric wires.

Part No.	TK-2
Tube material	Nylon, soft nylon, polyurethane, and other soft plastic tube
Tube O.D.	18mm or less
Weight	140g

K

M

H

D

MS

**T**

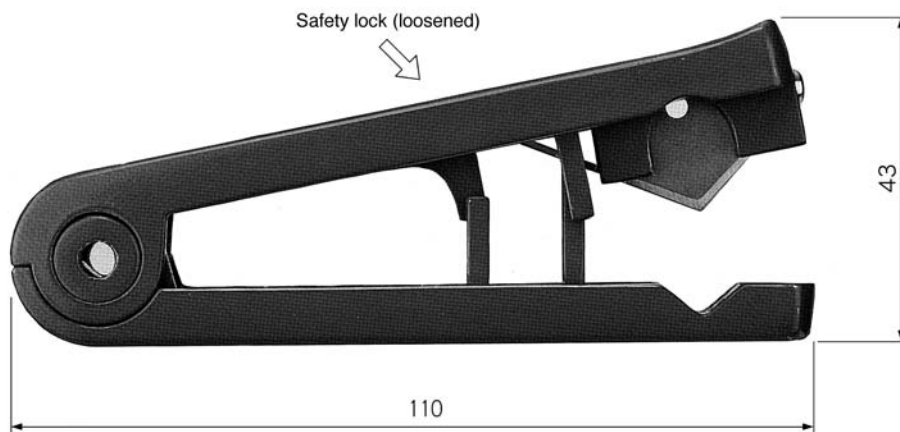
LQ

Clean Room

Tube Cutter

# Series TK

Tube Cutter: TK-3 (Useful type)  
 Safety lock contained.



Note) Never cut metals such as electric wires.

Part No.	TK-3
Tube material	Nylon, soft nylon, polyurethane, and other soft plastic tube
Tube O.D.	12mm or less
Weight	32g

# Double Layer Tubing Stripper

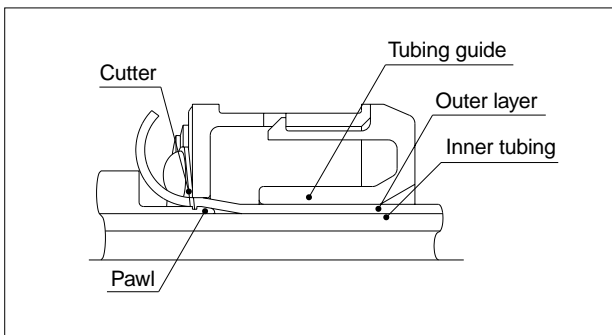
## Series TKS

Allows easy stripping of the outer layer from double layer tubing.



### Able to strip without damaging the inner tubing

The outer tubing can be stripped without damaging the inner tubing because a pawl is inserted between the inner and outer tubing layers.



**Caution**  
Do not use to strip covering materials from electrical wires, etc.

### Adjustment of cutter and stripping length is unnecessary

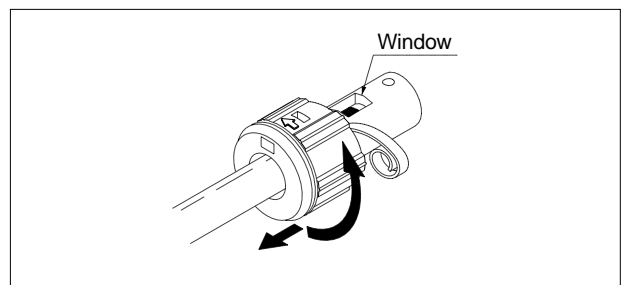
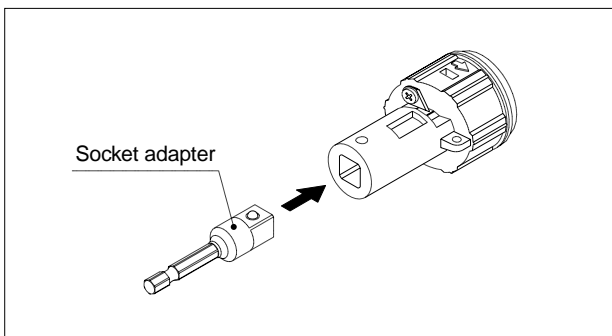
A constant stripping length is always possible due to the fixed cutter with angle that cuts until the tubing reaches the end surface inside the stripper.

### Removal of stripped tubing is unnecessary

Since the stripped tubing is discharged to the outside, no additional labor is required to remove it.

### Can be attached to tools

Stripping work can be automated by attaching to an air driver, etc.

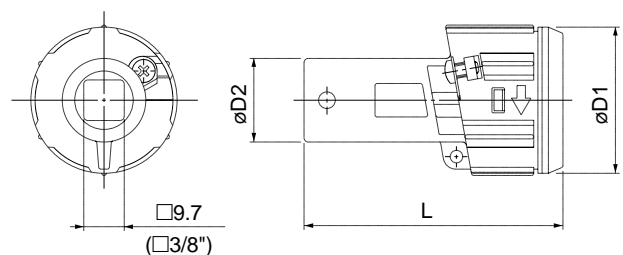


- Even double layer polyurethane tubing (series TRBU) which is highly adhesive to the external layer can be stripped easily.

### Variations

Model	Tip colour	Applicable tubing *	Dimensions mm			Weight
			D1	D2	L	
TKS-06	Orange	TRB0604, TRBU0604	35	16	58	9
TKS-08	Yellow	TRB0806, TRBU0805		18		
TKS-10	Blue	TRB1075, TRBU1065		20	62	
TKS-12	Green	TRB1209, TRBU1208		22		

\* Inner tubing material/TRB: Nylon, TRBU: Polyurethane



K

M

H

D

MS

T

LQ

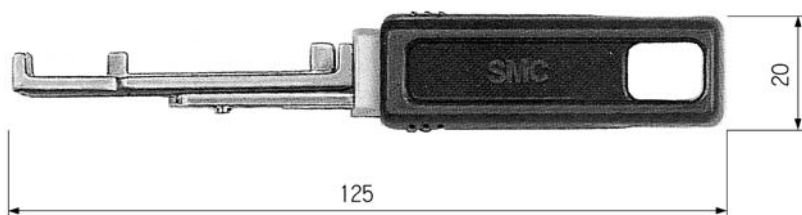
Clean Room

# Accessories/Tools

## Tube Releasing Tool

# Series TG

- For loading and unloading of tubes for One-touch fittings mounted in a narrow space or on manifolds.
- Easy one-hand operation
- Available for two sizes of applicable tubes. Easy exchange with one hand.



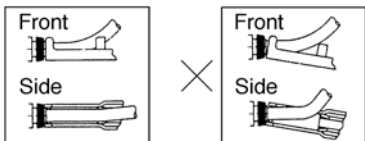
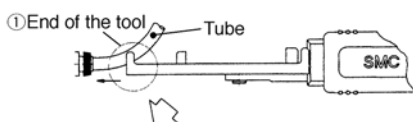
Part No.	Tube size		Tube material	Color	Weight
TG-1	Metric size	ø4, ø6	Nylon, Soft nylon, Polyurethane	Blue	33g
TG-2	Inch size	ø 1/8", ø 1/4"		Red	

### How to Use

#### ⚠ Caution

##### Process

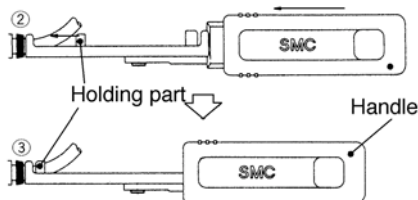
- Put the end of tool into the release button parallel to the tube.



- After inserting, grasp the handle tightly and insert the end of the tubing to the stroke end.

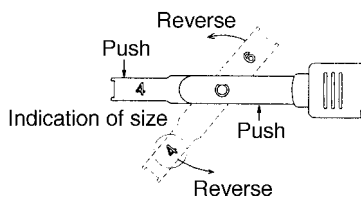
Note) Insert firmly to guard against accidental tube release.

- After inserting end of tube, relax your grip on the tool. Returning force of spring releases the tube.



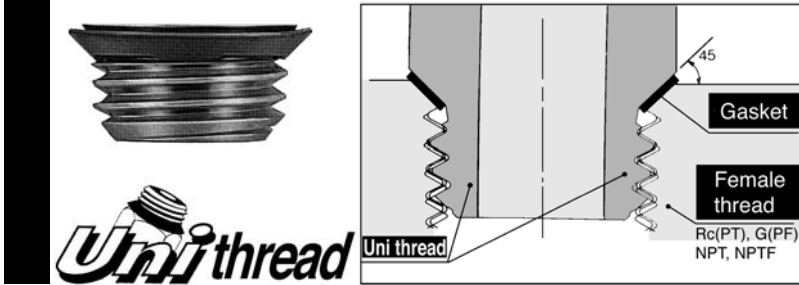
##### Size change

Push both sides at once to release. Reverse and fix at the same position as before. Applicable tube size is indicated on the back side.



# Uni One-touch Fittings

New-stand male threads for piping that reduces the screw-in time by 1/3



## Uni thread ridge shape

A gasket made of stainless sheet covered with laminated NBR on both sides is seated on the chamfer of a female thread for a perfect sealing construction irrespective of the difference in thread diameters due to the difference in the types of female threads, variation in tolerance, or difference in the size of chamfer. (It is applicable to any female thread with an ordinary chamfer.)



A ridge shape has been created as a Uni thread for common applications for Rc(PT), G(PF), NPT and NPTF

The male thread for piping drastically cuts piping man-hours

## Applicable tubing /Metric size

Style	Model	Port size	Tube O.D. (mm)					
			ø4	ø6	ø8	ø10	ø12	ø16
Male connector	KQH	1/8	●	●	●	●		
		1/4	●	●	●	●	●	
		3/8		●	●	●	●	●
		1/2				●	●	●
Male elbow	KQL	1/8	●	●	●	●		
		1/4	●	●	●	●	●	
		3/8		●	●	●	●	●
		1/2				●	●	●
Branch tee	KQT	1/8	●	●	●	●		
		1/4	●	●	●	●	●	
		3/8		●	●	●	●	●
		1/2				●	●	●
Male run tee	KQY	1/8	●	●	●	●		
		1/4	●	●	●	●	●	
		3/8		●	●	●	●	●
		1/2				●	●	●
Branch "Y"	KQU	1/8	●	●	●	●		
		1/4	●	●	●	●	●	
		3/8		●	●	●	●	●
		1/2				●	●	●
Extended male elbow	KQW	1/8	●	●	●	●		
		1/4	●	●	●	●	●	
		3/8		●	●	●	●	●
		1/2				●	●	●
Hexagon socket head male connector	KQS	1/8	●	●	●	●		
		1/4		●	●	●	●	
		3/8			●	●	●	●
		1/2				●	●	●
45° Male elbow	KQK	1/8	●	●	●	●		
		1/4	●	●	●	●	●	
		3/8		●	●	●	●	●
		1/2				●	●	●
Universal male elbow	KQV	1/8	●	●	●			
		1/4		●	●	●		
		3/8			●	●	●	
		1/2				●	●	●

## Applicable tubing /Inch size

Style	Model	Port size	Tube O.D. (inch)						
			1/8	5/32	3/16	1/4	5/16	3/8	1/2
Male connector	KQH	1/8	●	●	●	●	●		
		1/4	●	●	●	●	●	●	
		3/8				●	●	●	●
		1/2						●	●
Male elbow	KQL	1/8	●	●	●	●	●		
		1/4	●	●	●	●	●	●	
		3/8				●	●	●	●
		1/2						●	●
Branch tee	KQT	1/8	●	●	●	●	●		
		1/4	●	●	●	●	●	●	
		3/8				●	●	●	●
		1/2						●	●
Male run tee	KQY	1/8	●	●	●	●	●		
		1/4	●	●	●	●	●	●	
		3/8				●	●	●	●
		1/2						●	●
Branch "Y"	KQU	1/8	●	●	●	●	●		
		1/4	●	●	●	●	●	●	
		3/8				●	●	●	●
		1/2						●	●
Extended male elbow	KQW	1/8	●	●	●	●	●		
		1/4	●	●	●	●	●	●	
		3/8				●	●	●	●
		1/2						●	●

\* Refer to the catalogue No. CAT. E505 for the details.

K□

M□

H□

D□

MS

T□

LQ

Clean Room