

Column level indicators for hot water



• Material

Transparent polyamide based (PA-T) technopolymer. Highly resistant to shocks, solvents, oils with additives, aliphatic and aromatic hydrocarbons, petrol, naphtha, phosphoric esters.

Avoid contact with alcohol or detergents containing alcohol.

The special technopolymer used for HCX-BW-SST column level indicator allows to use it even in circuits working with very hot water and prevents milk effect on the transparent surface.

• Screws, nuts and washers

AISI 303 stainless steel screws, AISI 304 stainless steel nuts and washers.

• Flat gaskets

FKM type VITON®*O-Ring.

• Plate

White lacquered aluminium. The housing, in the appropriate external rear slot, guarantees the best protection from direct contact with fluid, avoiding yellowing effect due to the prolonged action of the fluid at high temperatures.

It can be removed before installation to fit marks and words (for example MAX-MIN), in the needed positions.

• Mounting

- By means of the supplied set screws and nuts.
- By means of the supplied set screws, without nuts, by tapping the two holes in the reservoir walls, if they are thick enough.

To ensure the best sealing of the O-rings it is recommended to apply the maximum torque on the nuts as reported in the table and a roughness of the gasket application surface $R_a = 3 \mu\text{m}$.

• Maximum continuous working temperature

80°C with peaks of 90°C.

* Registered trademark by DuPont Dow Elastomers.

Features and performances

The body of the indicator, entirely in transparent material, is assembled using ultrasound welding to guarantee a perfect seal.

Maximum fluid level visibility even from side positions

Level visibility magnified by lens effect.

Technical data

In laboratory tests carried out with mineral oil type CB68 (according to ISO 3498) at 23°C for a limited period of time, the weld stood up as follows:

- HCX.76-BW-SST 10 bar
- HCX.127-BW-SST 10 bar
- HCX.254-BW-SST 10 bar

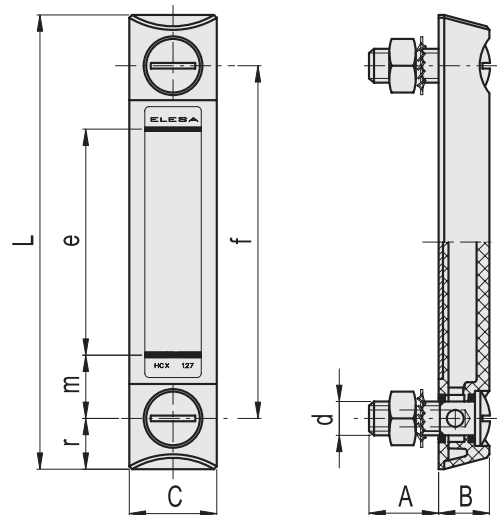
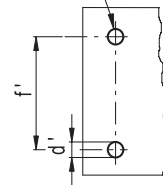
If you need to use the indicator with other oils or fluids and under different pressure and temperature conditions, please contact ELESA Technical Department. In any case we suggest to verify the suitability of the product under the actual working conditions.

Special executions on request

Indicators with two red ball-shaped floats.



Drilling template
Holes without burrs and chamfer



Code	Description	f	d	A	B	C	L	e	m	r	d ^{-0.2}	f _{±0.2}	C# [Nm]	⚖
11345	HCX.76-BW-SST-M10	76	M10	22	16	27	107	40	18	15.5	10.5	76	8	87
11355	HCX.127-BW-SST-M12	127	M12	23	18	31	161	80	23	17	12.5	127	8	138
11365	HCX.254-BW-SST-M12	254	M12	21	18	35	291	203	26	18.5	12.5	254	8	185

Maximum tightening torque.