

För icke direkt toleranssatta mått gäller toleransklass
General tolerances if not otherwise stated

NOM DIM MM		TOL CLASS		
From	To	A	B	C
(1)	6	±0.05	±0.1	±0.2
(6)	30	±0.1	±0.2	±0.5
(30)	100	±0.15	±0.3	±0.8
(100)	300	±0.2	±0.5	±1.2
(300)	1000	±0.3	±0.8	±2

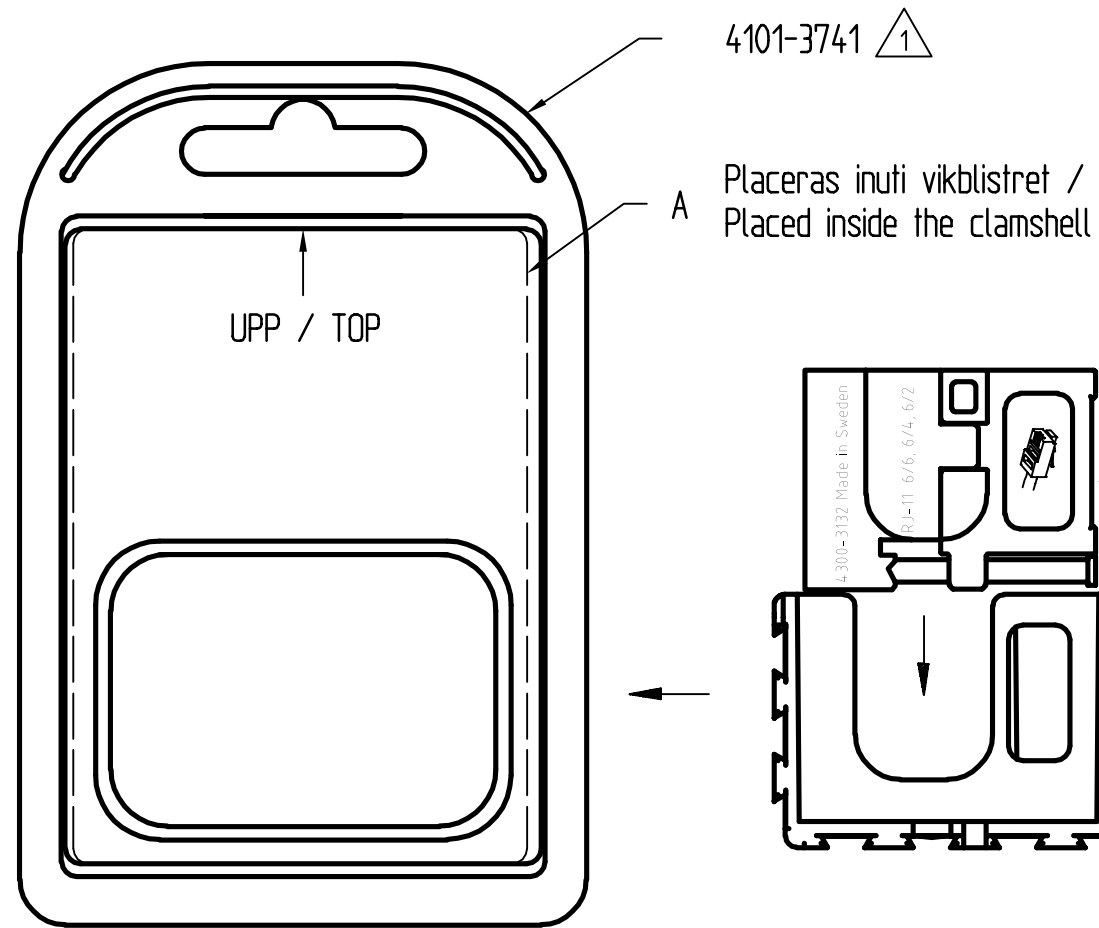
Hål / Holes H13

Skarpa kanter brutna där ej annat anges.
No sharp edges unless otherwise specified.

Övriga generella toleranser enligt ritning 4100-4644.
Additional general tolerances in accordance with drawing 4100-4644.

Den här ritning är Pressmaster AB:s egendom. Skyddad av gällande lag.
This drawing is the property of Pressmaster AB. Protected in accordance with prevailing law.

Rev	Change order	Change: A = Added W = Was D = Deleted	Date	Sign
1	1021244000	4101-3741 W 4101-2949 A 4300-3132/AAB 4101-3747M 4101-3568H ÄNDRAD/CHANGED	041118	SE



Pressback kompl. placeras i hållaren vid packning/
Die Compl. placed in holder when packaging

△ 1		
4300-3132/AAB	4101-3747 M	4101-3490
4300-3132/AAA	4101-3568 H	4101-3490
ART.NR.VAR.	A	B

Material		Behandling/Treatment				Status
Konstr./Design	Ritad/Drawn	Datum/Date	Skala/Scale	Kontr./Checked	Godk./Approved	Anne/Blank
TGW	OS	2004-11-18	1:1			
pressmaster ®					Vikt/Weight, gram	
Beröring/Denomination					Art grp 011	
pressmaster ®					Ritn nr./Drawing no	
REG NR F41367					43003132	
pressmaster ®					REV	
REG NR F41367					001	

pressmaster®
PRESSBACK RJ-11 6/6, 6/4, 6/2
DIE SET