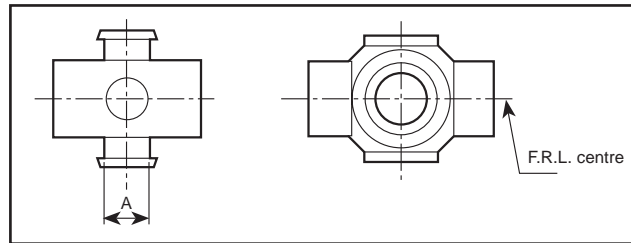


Model	Port size	A	B	C	Applicable model
Y21-02	¼	10	19	29	AC2000
Y31-02	¼	11	19	33	AC3000
Y41-02	¼	14	24	39	AC4000

Spacer

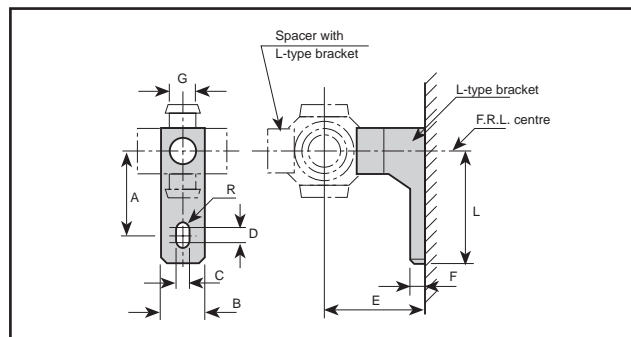
RS stock nos. 186-1193, 186-1200 & 186-1216



Model	A	Applicable
Y20	10	AC2000
Y30	11	AC3000
Y40	14	AC4000

L - type bracket/spacer

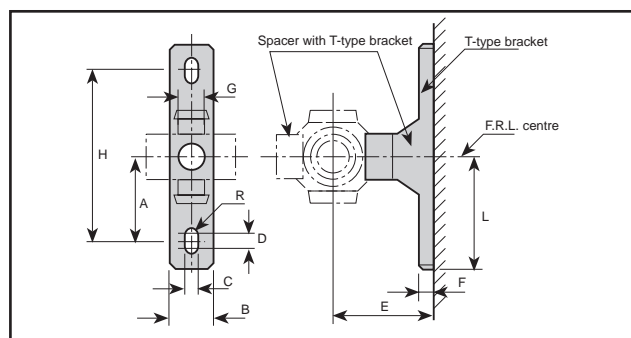
RS stock nos. 186-1222, 186-1238, 186-1244 & 185-1250



Spacer with L7 type bracket	A	B	C	D	E	F	G	R	L	Applicable model
Y10L	20	12	4.5	3	25	5	8	2.25	27	AC1000
Y20L	24	15	5.5	3	30	5	10	2.75	33	AC2000
Y30L	35	16	7	4	41	7	11	3.5	45	AC3000
Y40L	40	22	9	4	50	7	14	4.5	50	AC4000

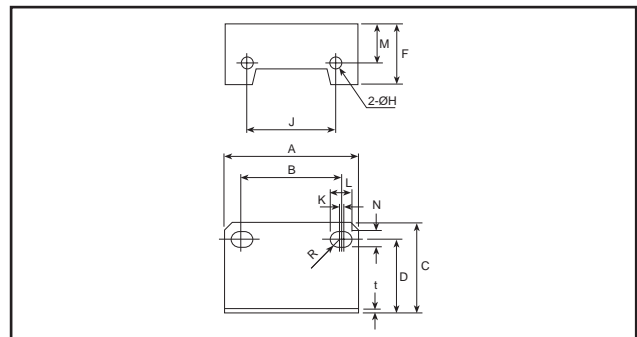
T - type bracket/spacer

RS stock nos. 192-8167, 192-8173 & 192-8189



Spacer with T-type bracket	A	B	C	D	E	F	G	H	R	L	Applicable model
Y20T	24	15	5.5	3	30	5	10	40	2.75	33	AC2000
Y30T	35	16	7	4	41	7	11	70	3.5	45	AC3000
Y40T	40	22	9	4	50	7	14	80	4.5	50	AC4000

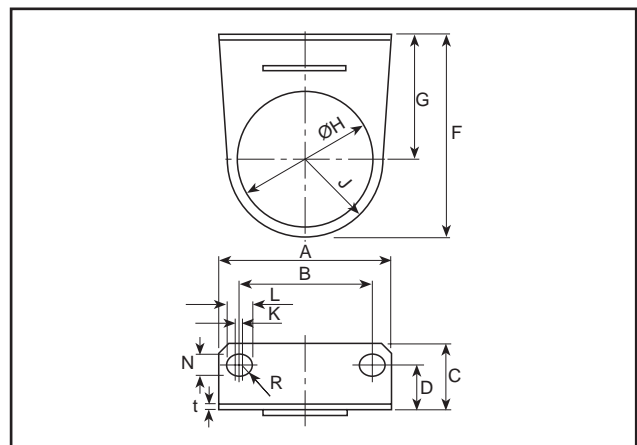
Bracket - general



Model	A	B	C	D	F	ØH	J	K
B240	40	27	33	27	18	4.5	26	3
B340	53	40	39	32	22.5	4.5	35	1.5
B440	70	54	47	38	31.5	5.5	47	2
B540	70	54	47	38	27.5	5.5	47	2

Model	L	M	N	R	t	Mounting screw (Head cap screw)	Applicable model
B240	8.4	14	5.4	2.7	2.3	M4 x 8 (Cross-recessed)	AF2000, AL2000, AFM2000, AFD2000
B340	8	19	6.5	3.25	2.3	M4 x 8 (Hexagon socket)	AF3000, AL3000, AFM3000, AFD3000
B440	10.5	20	8.5	4.25	2.3	M5 x 10 (Hexagon socket)	AF4000, AL4000 AFM4000, AFD4000
B540	10.5	20	8.5	4.25	2.3	M5 x 10 (Hexagon socket)	AF4000-06, AL4000-06, AFM4000-06, AFD4000-06

Bracket - regulator



Model	A	B	C	D	F	G	ØH	J	K	L	N	R	t	Applicable model
B120	40	28	17	11	37.8	25	20.5	12.3	2	6.5	4.5	2.25	2	AR1000 • AW1000
B220	55	34	25	19	50	30	33.5	20	10	15.4	5.4	2.7	2.3	AR2000 • 2500 • AW2000
B320	53	40	21	13.5	66	41	42.5	25	1.5	8	6.5	3.25	2.3	AR3000 • AW3000
B420	70	54	27	18	80	50	52.5	30	2	10.5	8.5	4.25	2.3	AR4000 • AW4000 AR4000-06 • AW4000-06

Note: These brackets are not sold separately, but come with respective FRL unit.