

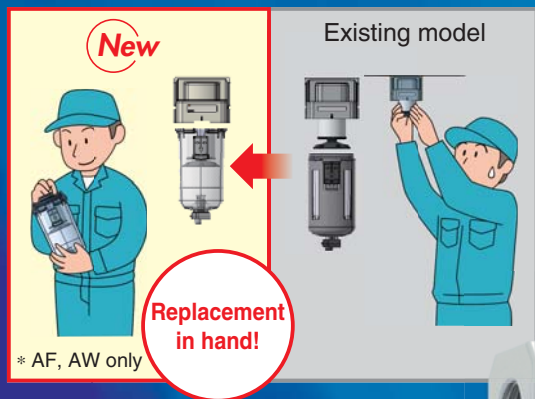
New

RoHS

Modular F.R.L. Units

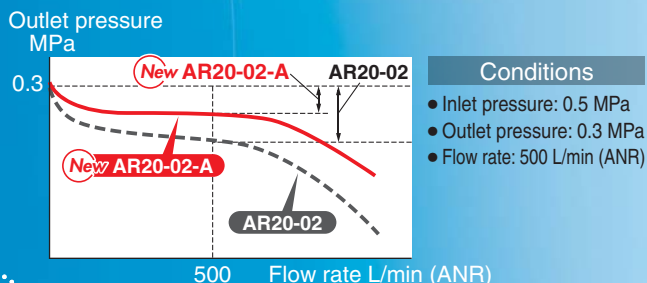
Easy replacement of the element

The element and the bowl are in one piece. Replacement can be done in hand.



Energy saving regulator

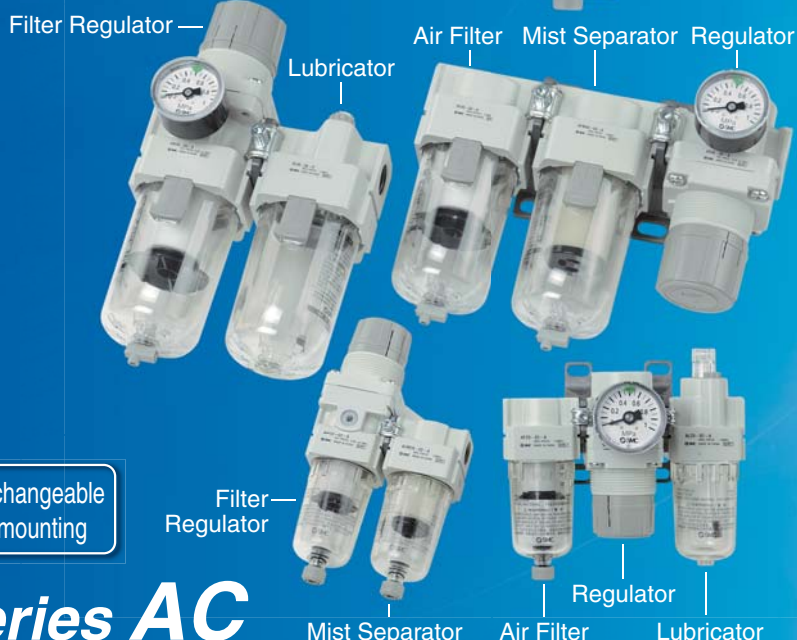
Pressure drop: Max. **50% improvement**



Reduced required maintenance space

* For AF40-A

Max. **46%** reduction



Better visibility & safer

Double layer design

The bowl is covered with a transparent bowl guard!

- The inside is visible from 360°
- The bowl is completely protected from the environment. Safety improved.



* Body size: 30 or more

Interchangeable for mounting

Series AC



CAT.EUS40-56A-UK

Series AC

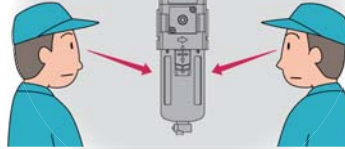
Transparent bowl guard



- Better visibility: **360°**

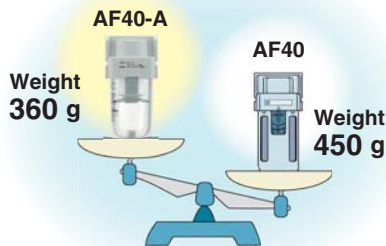


Existing model: AW□0



- Condensate can be monitored from anywhere.

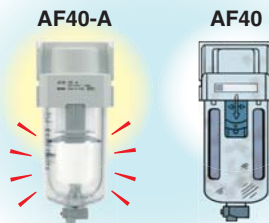
- Light weight: Max. **90 g Reduction**
* Except AW



Weight
360 g

Weight
450 g

- Metal related corrosion does not occur.



Resin body does not rust.

Applicable model



Air Filter
AF



Mist Separator
AFM



Micro Mist Separator
AFD



Filter Regulator
AW



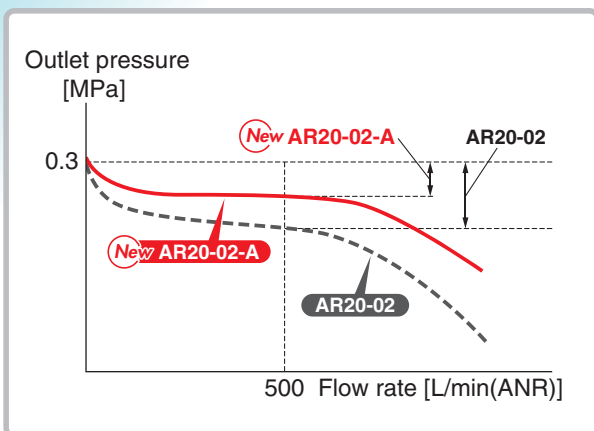
Lubricator
AL

* Body size: 30 or more

Regulator: AR Filter Regulator: AW

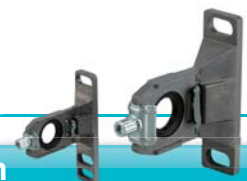


- Pressure drop: Max. **50% improvement**



- Conditions
- ◆ Inlet pressure: 0.5 MPa ◆ Outlet pressure: 0.3 MPa
 - ◆ Flow rate: 500 L/min (ANR)

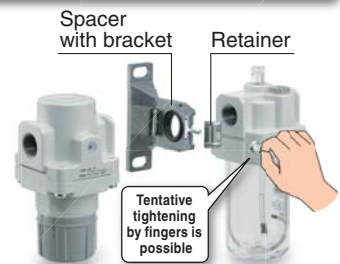
New Spacer



- Modular connection

Step ①

- Mount the product by lining up the mating surface of the spacer with the new bracket.
- Insert the retainer into the spacer bolt and tighten the nut. (Temporary)



Step ②






- Tighten the nut with the hexagon wrench.



Interchangeable with existing products.





- New spacer can be connected to existing AF, AR, AL, AW series.
- Existing spacer cannot be used for new AR□-A, AF□-A, AL□-A, AW□-A series.

Series Configuration



Product	Model	Port size					INDEX
		1/8	1/4	3/8	1/2	3/4	
Air Filter+Regulator+Lubricator AF AR AL 	AC20-A	●	●				P.1
	AC25-A		●	●			
	AC30-A		●	●			
	AC40-A		●	●	●		
	AC40-06-A					●	
Filter Regulator+Lubricator AW AL 	AC20A-A	●	●				P.7
	AC30A-A		●	●			
	AC40A-A		●	●	●		
	AC40A-06-A					●	
Air Filter + Regulator AF AR 	AC20B-A	●	●				P.11
	AC25B-A		●	●			
	AC30B-A		●	●			
	AC40B-A		●	●	●		
	AC40B-06-A					●	
Air Filter+Mist Separator+Regulator AF AFM AR 	AC20C-A	●	●				P.15
	AC25C-A		●	●			
	AC30C-A		●	●			
	AC40C-A		●	●	●		
	AC40C-06-A					●	
Filter Regulator+Mist Separator AW AFM 	AC20D-A	●	●				P.19
	AC30D-A		●	●			
	AC40D-A		●	●	●		
	AC40D-06-A					●	

Air Combination

Series Configuration

Product	Model	Port size					INDEX	
		1/8	1/4	3/8	1/2	3/4		
Air Filter 	AF	AF20-A	●	●				P.28
		AF30-A		●	●			
		AF40-A		●	●	●		
		AF40-06-A					●	
Mist Separator 	AFM	AFM20-A	●	●				P.28
		AFM30-A		●	●			
		AFM40-A		●	●	●		
		AFM40-06-A					●	
Micro Mist Separator 	AFD	AFD20-A	●	●				P.28
		AFD30-A		●	●			
		AFD40-A		●	●	●		
		AFD40-06-A					●	
Regulator 	AR	AR20-A	●	●				P.44
		AR25-A		●	●			
		AR30-A		●	●			
		AR40-A		●	●	●		
		AR40-06-A					●	

Series Configuration

Product	Model	Port size					INDEX
		1/8	1/4	3/8	1/2	3/4	
Lubricator 	AL20-A	●	●				P.52
	AL30-A		●	●			
	AL40-A		●	●	●		
	AL40-06-A					●	
Filter Regulator 	AW20-A	●	●				P.58
	AW30-A		●	●			
	AW40-A		●	●	●		
	AW40-06-A					●	

Simple Specials System

A system designed to respond quickly and easily to your special ordering needs.



Short lead times

This system enables us to respond to your special needs, such as additional machining, accessory assembly, or modular unit, and deliver such special products as quickly as standard products.

Repeat orders

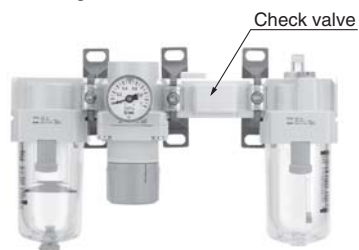
Once we receive a Simple Special part number from your previous order, we will process the order, manufacture the product, and deliver it to you.

Attachment List

Check valve

Page 22

■ A check valve with intermediate branch port can be easily installed to prevent a back-flow of lubricant when branching the air flow and releasing the air on the outlet side of the regulator.



Applicable series

- Air Filter + Regulator + Lubricator (AC□0-A)
- Filter Regulator + Lubricator (AC□0A-A)
- *Port size: Except 06

Pressure switch

Page 23

■ A compact integrated pressure switch can be easily installed and facilitates the pressure detection of the line.



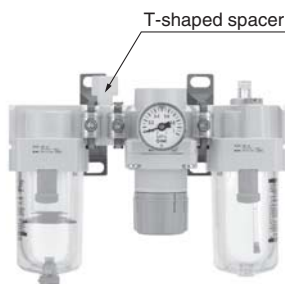
Applicable series

- Air Filter + Regulator + Lubricator (AC□0-A)
- Filter Regulator + Lubricator (AC□0A-A)
- Air Filter + Regulator (AC□0B-A)
- Air Filter + Mist Separator + Regulator (AC□0C-A)
- Filter Regulator + Mist Separator (AC□0D-A)

T-shaped spacer

Page 23

■ Using a T-shaped spacer facilitates the branching of air flow.



Applicable series

- Air Filter + Regulator + Lubricator (AC□0-A)
- Air Filter + Regulator (AC□0B-A)
- Air Filter + Mist Separator + Regulator (AC□0C-A)

3-port valve for residual pressure release

Page 24

■ With the use of a 3-port valve for residual pressure release, pressure left in the line can be easily exhausted.



Applicable series

- Air Filter + Regulator + Lubricator (AC□0-A)
- Filter Regulator + Lubricator (AC□0A-A)
- Air Filter + Regulator (AC□0B-A)
- Air Filter + Mist Separator + Regulator (AC□0C-A)
- Filter Regulator + Mist Separator (AC□0D-A)

Cross spacer

Page 24

■ Pipings are possible in all 4 directions.



*Needs to be ordered by single unit.

Piping adapter

Page 25

■ A piping adapter allows installation/removal of the component without removing the piping and thus makes maintenance easier.



*Needs to be ordered by single unit.

Attachment List

Pressure switch with piping adapter Page 25



*Needs to be ordered separately.

Spacer Page 26



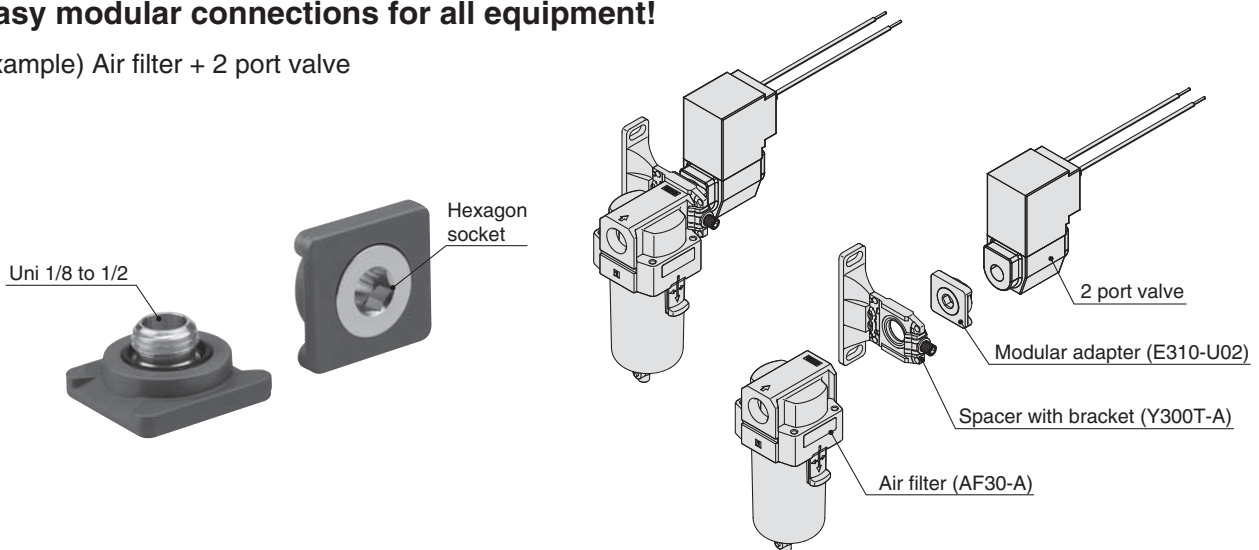
*Needs to be ordered separately.

Related Products

Modular adapter

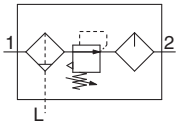
Easy modular connections for all equipment!

Example) Air filter + 2 port valve



AC20-A to AC40-A

JIS Symbol



How to Order

AC **30** - **03** **DG** - - - **A**

① ② ③ ④ ⑤ ⑥

• Option/Semi-standard: Select one each for **a** to **m**.
 • Option/Attachment/Semi-standard symbol: When more than one specification is required, indicate in alphanumeric order.
 Example) AC30-F03DM-KSTV-13NR-A

	Symbol	Description	① Body size					
			20	25	30	40		
② Thread type	—	Rc	●	●	●	●		
	N	NPT	●	●	●	●		
	F	G	●	●	●	●		
+								
③ Port size	01	1/8	●	—	—	—		
	02	1/4	●	●	●	●		
	03	3/8	—	●	●	●		
	04	1/2	—	—	—	●		
	06	3/4	—	—	—	●		
+								
④ Option	a Float type auto drain	—	Without auto drain		●	●	●	●
		C <small>Note 2)</small>	N.C. (Normal close) Drain port is closed when pressure is not applied.		●	●	●	●
		D <small>Note 3)</small>	N.O. (Normal open) Drain port is open when pressure is not applied.		—	●	●	●
	+							
	b Pressure gauge <small>Note 4)</small>	—	Without pressure gauge		●	●	●	●
		G	Round type pressure gauge (with limit indicator)		●	●	●	●
M		Round type pressure gauge (with colour zone)		●	●	●	●	
+								
⑤ Attachment	c Check valve	—	Without attachment		●	●	●	●
		K	Mounting position: AF+AR+K+AL		●	●	●	● <small>Note 5)</small>
	+							
	d Pressure switch	—	Without attachment		●	●	●	●
		S <small>Note 6)</small>	Mounting position: AF+AR+S+AL		●	●	●	●
	+							
	e T-interface	—	Without attachment		●	●	●	●
		T <small>Note 6)</small>	Mounting position: AF+T+AR+AL		●	●	●	●
	+							
	f 3-port valve for residual pressure release	—	Without attachment		●	●	●	●
V		Mounting position: AF+AR+AL+V		●	●	●	●	
+								
⑥ Semi-standard	g Set pressure <small>Note 7)</small>	—	0.05 to 0.7 MPa setting		●	●	●	●
		1	0.02 to 0.2 MPa setting		●	●	●	●
	+							
h Bowl	—	Polycarbonate bowl		●	●	●	●	
	C	With bowl guard		●	—	—	—	

Air Combination Series AC20-A to AC40-A



AC20-A

AC40-A

	Symbol	Description	①				
			Body size				
			20	25	30	40	
⑥ Semi-standard	i	—	With drain cock	●	●	●	●
		J ^{Note 8)}	Drain guide 1/8	●	—	—	—
			Drain guide 1/4	—	●	●	●
		W	Drain cock with barb fitting (for ø6 x ø4 nylon tube)	—	●	●	●
	+						
	j	—	Without drain cock	●	●	●	●
		3 ^{Note 9)}	Lubricator with drain cock	●	●	●	●
	+						
	k	—	Relieving type	●	●	●	●
		N	Non-relieving type	●	●	●	●
+							
l	—	Flow direction: Left to right	●	●	●	●	
	R	Flow direction: Right to left	●	●	●	●	
+							
m	—	Name plate and pressure gauge in imperial units: MPa	●	●	●	●	
	Z ^{Note 10)}	Name plate, caution plate for bowl, and pressure gauge in imperial units: psi, °F	○ ^{Note 11)}	○ ^{Note 11)}	○ ^{Note 11)}	○ ^{Note 11)}	

Note 1) Option G, M are not assembled and supplied loose at the time of shipment.

Note 2) When pressure is not applied, condensate which does not start the auto drain mechanism will be left in the bowl. Releasing the residual condensate before ending operations for the day is recommended.

Note 3) If the compressor is small (0.75 kW, discharge flow is less than 100 L/min[ANR]), air leakage from the drain cock may occur during start of operations. N.C. type is recommended.

Note 4) When the pressure gauge is attached, a 1.0 MPa pressure gauge will be fitted for standard (0.7 MPa) type. 0.4 MPa pressure gauge for 0.2 MPa type.

Note 5) Not available with piping port size: 06.
Note 6) The bracket position varies depending on the T-shaped spacer or pressure switch mounting.

Note 7) Pressure can be set higher than the specification pressure in some cases, but use pressure within the specification range.

Note 8) Without a valve function.

Note 9) Filter drain port: When choosing with W, the drain cock of a lubricator will be with barb fittings.

Note 10) For thread type: NPT.
MPa and psi are shown together on the pressure unit.
Round pressure gauge (with colour zone): Cannot be used with M. Available by request for special.

Note 11) ○: For thread type: NPT only.

Standard Specifications

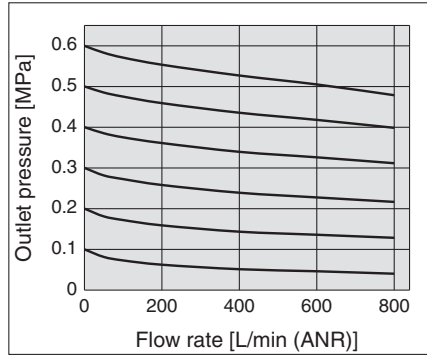
Model	AC20-A	AC25-A	AC30-A	AC40-A	AC40-06-A
Component	Air filter	AF20-A	AF30-A	AF30-A	AF40-A
	Regulator	AR20-A	AR25-A	AR30-A	AR40-A
	Lubricator	AL20-A	AL30-A	AL30-A	AL40-A
Port size	1/8, 1/4	1/4, 3/8	1/4, 3/8	1/4, 3/8, 1/2	3/4
Pressure gauge port size	1/8				
Fluid	Air				
Ambient and fluid temperature	- 5 to 60°C (with no freezing)				
Proof pressure	1.5 MPa				
Max. operating pressure	1.0 MPa				
Set pressure range	0.05 to 0.7 MPa				
Nominal filtration rating	5 µm				
Recommended lubricant	Class 1 turbine oil (ISO VG32)				
Bowl material	Polycarbonate				
Bowl guard	Semi-standard (Steel)	Standard (Polycarbonate)			
Regulator construction	Relieving type				
Weight [kg]	0.39	0.67	0.82	1.26	1.43

Series AC20-A to AC40-A

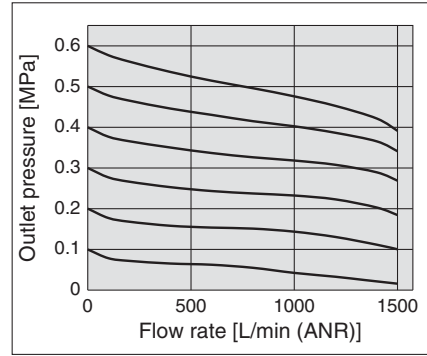
Flow Characteristics (Representative values)

Condition: Inlet pressure 0.7 MPa

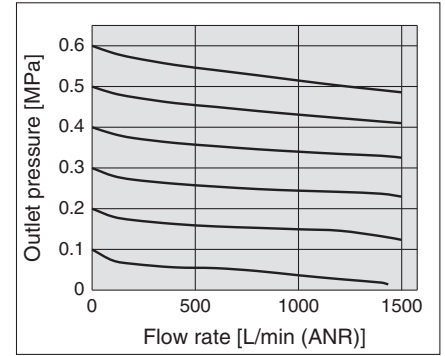
AC20-A Rc 1/4



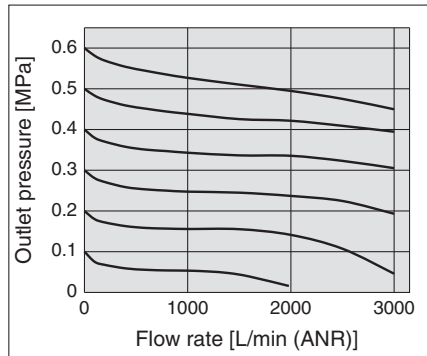
AC25-A Rc 3/8



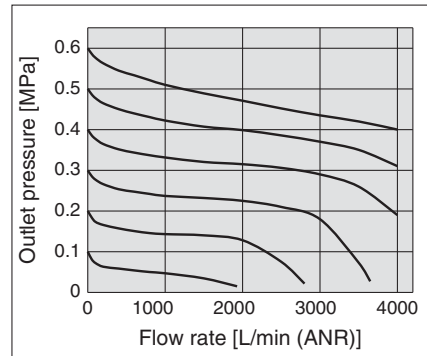
AC30-A Rc 3/8



AC40-A Rc 1/2



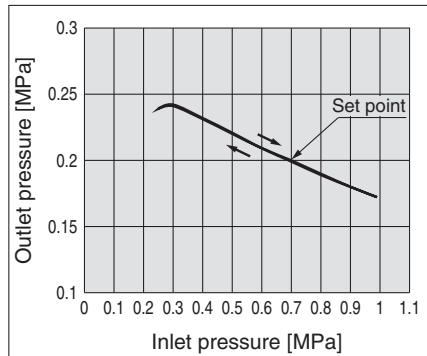
AC40-06-A Rc 3/4



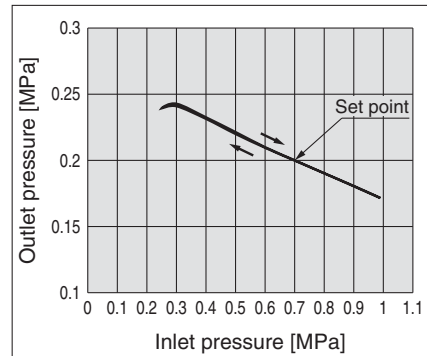
Pressure Characteristics (Representative values)

Conditions: Inlet pressure 0.7 MPa, Outlet pressure 0.2 MPa, Flow rate 20 L/min (ANR)

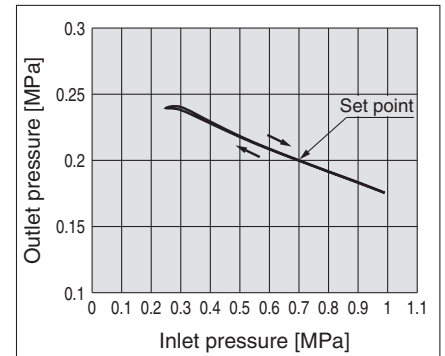
AC20-A



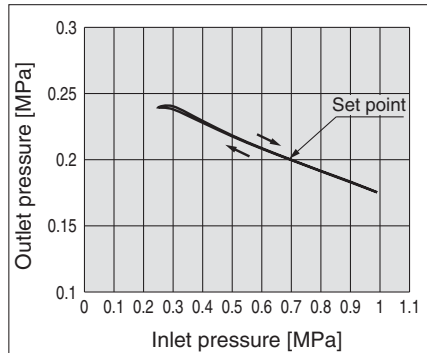
AC25-A



AC30-A



AC40-A/AC40-06-A



⚠ Specific Product Precautions

Be sure to read before handling. Refer to back cover for Safety Instructions, "Handling Precautions for SMC Products" (M-E03-3) and the Operation Manual for F.R.L. Precautions.

Piping

⚠ Warning

1. When mounting a check valve, make sure the arrow (IN side) points in the correct direction of air flow.

Air Supply

⚠ Caution

1. Use an air filter with 5 μm or less filtration rating on the inlet side of the valve to avoid any damage to the seat caused by dust when mounting a 3-port valve for residual pressure release on the inlet side.

Mounting and Adjustment

⚠ Caution

1. When the bowl is installed on the air filter, filter regulator, lubricator, mist separator, or micro mist separator, install them so that the lock button lines up to the groove of the front (or the back) of the body to avoid drop or damage of the bowl.



Thread type/Rc, G: ø10 One-touch fitting
Thread type/NPT: ø3/8" One-touch fitting

Selection

⚠ Caution

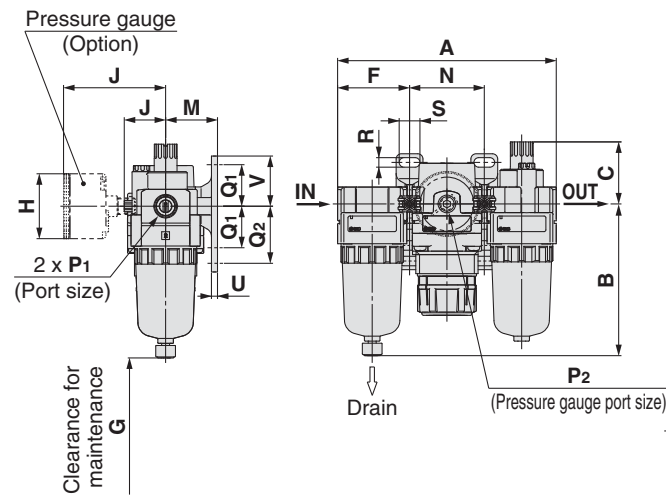
1. When releasing air at the intermediate position using a T-shaped spacer on the inlet side of the lubricator, lubricant may back flow. Therefore, releasing air that does not contain traces of lubricant is not possible. To release air that does not contain traces of lubricant, use a check valve (Series AKM) on the inlet side of the lubricator to prevent a backflow of the lubricant.
2. If a residual pressure-release 3-port valve is mounted on the inlet side of the lubricator, causing a backflow of air, it can result in a backflow of oil or damage to internal parts. Please, locate it on the outlet side of the lubricator.
3. An F.R.L. unit shipped from the plant has its model number labeled. However, components that are combined together during the distribution process do not have a label on them.

AC
AF+AR+AL
AW+AL
AF+AR
AF+AFM+AR
AW+AFM
Attachment
AF
AFM / AFD
AR
AL
AW

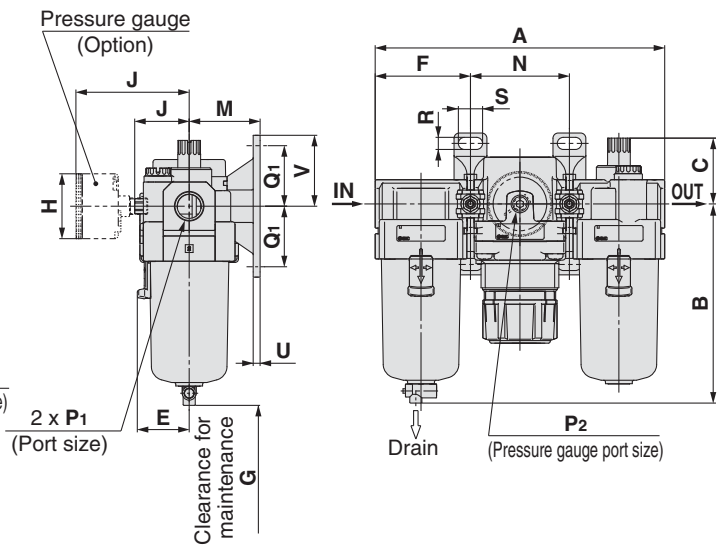
Series AC20-A to AC40-A

Dimensions

AC20-A



AC25-A to AC40-A



Applicable model	AC20-A		AC25-A to AC40-A				
Optional/Semi-standard specifications	With auto drain (N.C.)	With drain guide	With auto drain (N.O./N.C.)	With drain guide	Drain cock with barb fitting		
Dimensions						Thread type/Rc, G: $\phi 10$ One-touch fitting Thread type/NPT: $\phi 3/8$ " One-touch fitting	

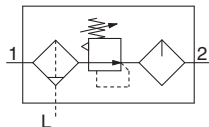
Model	Standard specifications																
	P ₁	P ₂	A	B	C	E	F	G	J	Bracket mount							
										M	N	Q ₁	Q ₂	R	S	U	V
AC20-A	1/8, 1/4	1/8	126.4	87.6	35.9	—	41.6	60	23.4	30	43.2	24	33	5.5	12	3.5	29
AC25-A	1/4, 3/8	1/8	167.4	115.1	38.1	30	55.1	80	30.5	41	57.2	35	—	7	14	4	41
AC30-A	1/4, 3/8	1/8	167.4	115.1	38.1	30	55.1	80	30.5	41	57.2	35	—	7	14	4	41
AC40-A	1/4, 3/8, 1/2	1/8	220.4	147.1	39.8	38.4	72.6	110	36.1	50	75.2	40	—	9	18	5	48
AC40-06-A	3/4	1/8	235.4	149.1	37.8	38.4	77.6	110	39.6	50	80.2	40	—	9	18	5	48

Model	Optional specifications				Semi-standard specifications		
	Round type pressure gauge		Round type pressure gauge (with colour zone)		With auto drain	With barb fitting	With drain guide
	H	J	H	J	B	B	B
AC20-A	$\phi 37.5$	58.5	$\phi 37.5$	59.5	104.9	—	91.4
AC25-A	$\phi 37.5$	58.5	$\phi 37.5$	59.5	156.8	123.6	121.9
AC30-A	$\phi 37.5$	65	$\phi 37.5$	66	156.8	123.6	121.9
AC40-A	$\phi 42.5$	72	$\phi 42.5$	72	186.9	155.6	153.9
AC40-06-A	$\phi 42.5$	72	$\phi 42.5$	72	188.9	157.6	155.9

AW	AL	AR	AFM / AFD	AF	Attachment	AW+AFM	AF+AFM+AR	AF+AR	AW+AL	AF+AR+AL	AC
----	----	----	-----------	----	------------	--------	-----------	-------	-------	----------	----

AC20A-A to AC40A-A

JIS Symbol



How to Order

AC **30** A - **03** **DG** - - -A

① ② ③ ④ ⑤ ⑥

- Option/Semi-standard: Select one each for a to l.
- Option/Attachment/Semi-standard symbol: When more than one specification is required, indicate in alphanumeric order.
Example) AC30A-F03DM-KSV-13NR-A

	Symbol	Description	①			
			Body size			
			20	30	40	
②	—	Rc	●	●	●	
	N	NPT	●	●	●	
	F	G	●	●	●	
+						
③	01	1/8	●	—	—	
	02	1/4	●	●	●	
	03	3/8	—	●	●	
	04	1/2	—	—	●	
	06	3/4	—	—	●	
+						
④ Option	a	—	Without auto drain			
		C (Note 2)	N.C. (Normal close) Drain port is closed when pressure is not applied.			
		D (Note 3)	N.O. (Normal open) Drain port is open when pressure is not applied.			
	+					
	b	—	Without pressure gauge			
		G	Round type pressure gauge (with limit indicator)			
M		Round type pressure gauge (with colour zone)				
+						
⑤ Attachment	c	—	Without attachment			
		K	Mounting position: AW+K+AL			
	+					
	d	—	Without attachment			
		S (Note 6)	Mounting position: AW+S+AL			
	+					
e	—	Without attachment				
	V	Mounting position: AW+AL+V				
+						
⑥ Semi-standard	f	—	0.05 to 0.7 MPa setting			
		1	0.02 to 0.2 MPa setting			
	+					
	g	—	Polycarbonate bowl			
		C	With bowl guard			
	+					
	h	—	With drain cock			
		J (Note 8)	Drain guide 1/8			
		J (Note 8)	Drain guide 1/4			
		W	Drain cock with barb fitting (for ø6 x ø4 nylon tube)			

Air Combination *Series AC20A-A to AC40A-A*



		Symbol	Description	①		
				Body size		
				20	30	40
6	i	—	Without drain cock	●	●	●
		3 ^{Note 9)}	Lubricator with drain cock	●	●	●
			+			
	j	—	Relieving type	●	●	●
		N	Non-relieving type	●	●	●
			+			
	k	—	Flow direction: Left to right	●	●	●
		R	Flow direction: Right to left	●	●	●
			+			
	l	—	Name plate and pressure gauge in imperial units: MPa	●	●	●
Z ^{Note 10)}		Name plate, caution plate for bowl, and pressure gauge in imperial units: psi, °F	○ ^{Note 11)}	○ ^{Note 11)}	○ ^{Note 11)}	

Note 1) Option G, M are not assembled and supplied loose at the time of shipment.

Note 2) When pressure is not applied, condensate which does not start the auto drain mechanism will be left in the bowl. Releasing the residual condensate before ending operations for the day is recommended.

Note 3) If the compressor is small (0.75 kW, discharge flow is less than 100 L/min[ANR]), air leakage from the drain cock may occur during start of operations. N.C. type is recommended.

Note 4) When the pressure gauge is attached, a 1.0 MPa pressure gauge will be fitted for standard (0.7 MPa) type. 0.4 MPa pressure gauge for 0.2 MPa type.

Note 5) Not available with piping port size: 06.

Note 6) The bracket position varies depending on the pressure switch mounting.

Note 7) Pressure can be set higher than the specification pressure in some cases, but use pressure within the specification range.

Note 8) Without a valve function

Note 9) When selected with the filter regulator drain outlet W, the drain cock of the lubricator is barb fitting.

Note 10) For thread type: NPT. MPa and psi are shown together on the pressure unit. Round pressure gauge (with colour zone): Cannot be used with M. Available by request for special.

Note 11) ○: For thread type: NPT only

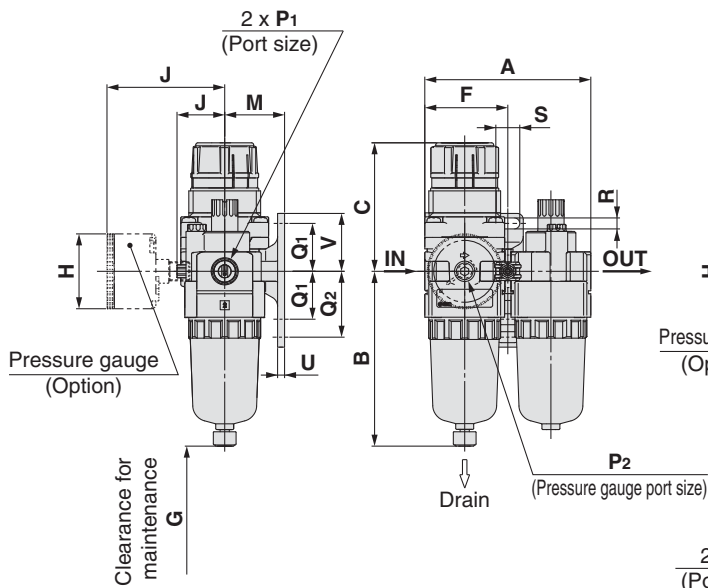
Standard Specifications

Model		AC20A-A	AC30A-A	AC40A-A	AC40A-06-A
Component	Filter regulator	AW20-A	AW30-A	AW40-A	AW40-06-A
	Lubricator	AL20-A	AL30-A	AL40-A	AL40-06-A
Port size		1/8, 1/4	1/4, 3/8	1/4, 3/8, 1/2	3/4
Pressure gauge port size		1/8			
Fluid		Air			
Ambient and fluid temperature		- 5 to 60°C (with no freezing)			
Proof pressure		1.5 MPa			
Maximum operating pressure		1.0 MPa			
Set pressure range		0.05 to 0.7 MPa			
Nominal filtration rating		5 μm			
Recommended lubricant		Class 1 turbine oil (ISO VG32)			
Bowl material		Polycarbonate			
Bowl guard		Semi-standard (Steel)	Standard (Polycarbonate)		
Regulator construction		Relieving type			
Weight [kg]		0.33	0.66	1.22	1.34

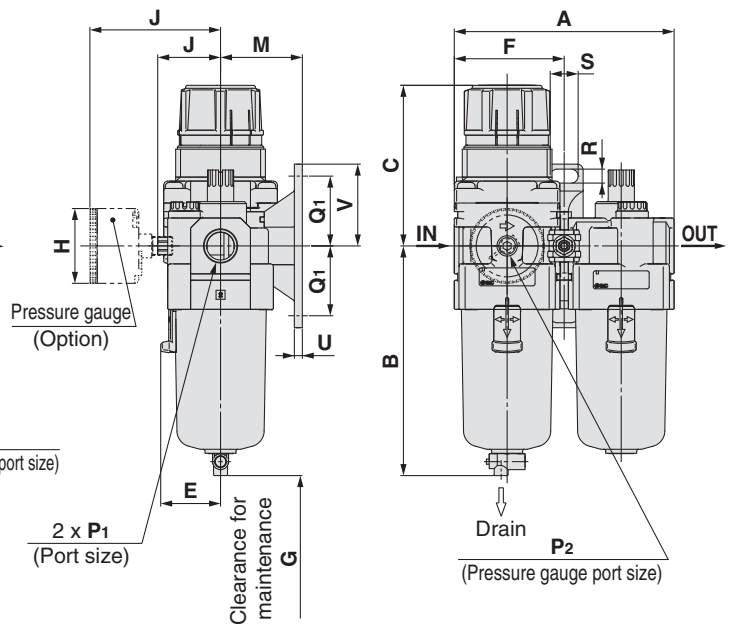
Series AC20A-A to AC40A-A

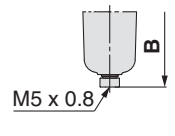
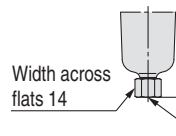
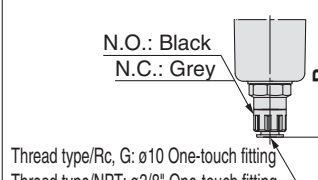
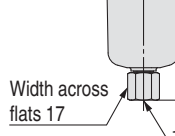
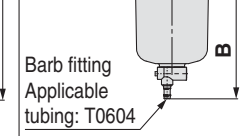
Dimensions

AC20A-A



AC30A-A, AC40A-A



Applicable model	AC20A-A		AC30A-A, AC40A-A		
Optional/Semi-standard specifications	With auto drain (N.C.)	With drain guide	With auto drain (N.O./N.C.)	With drain guide	Drain cock with barb fitting
Dimensions					
		Width across flats 14	N.O.: Black N.C.: Grey Thread type/Rc, G: $\phi 10$ One-touch fitting Thread type/NPT: $\phi 3/8$ " One-touch fitting	Width across flats 17	Barb fitting Applicable tubing: T0604

Model	Standard specifications															
	P ₁	P ₂	A	B	C (Note)	E	F	G	J	Bracket mount						
										M	Q ₁	Q ₂	R	S	U	V
AC20A-A	1/8, 1/4	1/8	83.2	87.6	67.4	—	41.6	60	23.4	30	24	33	5.5	12	3.5	29
AC30A-A	1/4, 3/8	1/8	110.2	115.1	83.5	30	55.1	80	30.5	41	35	—	7	14	4	41
AC40A-A	1/4, 3/8, 1/2	1/8	145.2	147.1	100	38.4	72.6	110	36.1	50	40	—	9	18	5	48
AC40A-06-A	3/4	1/8	155.2	149.1	101.5	38.4	77.6	110	39.6	50	40	—	9	18	5	48

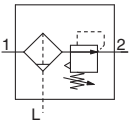
Model	Optional specifications				Semi-standard specifications		
	Round type pressure gauge		Round type pressure gauge (with colour zone)		With auto drain	With barb fitting	With drain guide
	H	J	H	J	B	B	B
AC20A-A	$\phi 37.5$	58.5	$\phi 37.5$	59.5	104.9	—	91.4
AC30A-A	$\phi 37.5$	65	$\phi 37.5$	66	156.8	123.6	121.9
AC40A-A	$\phi 42.5$	72	$\phi 42.5$	72	186.9	155.6	153.9
AC40A-06-A	$\phi 42.5$	72	$\phi 42.5$	72	188.9	157.6	155.9

Note) The total length of C dimension is the length when the filter regulator knob is unlocked.

AW	AL	AR	AFM / AFD	AF	Attachment	AW+AFM	AF+AFM+AR	AF+AR	AW+AL	AF+AR+AL	AC
----	----	----	-----------	----	------------	--------	-----------	-------	-------	----------	----

AC20B-A to AC40B-A

JIS Symbol



How to Order

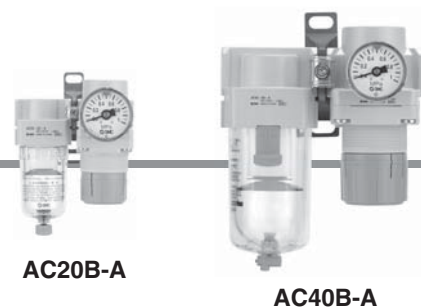
AC **30** B- **03** **DG** - - -A

①
②
③
④
⑤
⑥

- Option/Semi-standard: Select one each for a to j.
- Option/Attachment/Semi-standard symbol: When more than one specification is required, indicate in alphanumeric order.
Example) AC30B-F03DM-SV-1NR-A

	Symbol	Description	① Body size				
			20	25	30	40	
② Thread type	—	Rc	●	●	●	●	
	N	NPT	●	●	●	●	
	F	G	●	●	●	●	
+							
③ Port size	01	1/8	●	—	—	—	
	02	1/4	●	●	●	●	
	03	3/8	—	●	●	●	
	04	1/2	—	—	—	●	
	06	3/4	—	—	—	●	
+							
④ Option	a Float type auto drain	—	Without auto drain	●	●	●	●
		C ^{Note 2)}	N.C. (Normal close) Drain port is closed when pressure is not applied.	●	●	●	●
		D ^{Note 3)}	N.O. (Normal open) Drain port is open when pressure is not applied.	—	●	●	●
	+						
	b Pressure gauge ^{Note 4)}	—	Without pressure gauge	●	●	●	●
		G	Round type pressure gauge (with limit indicator)	●	●	●	●
M		Round type pressure gauge (with colour zone)	●	●	●	●	
+							
⑤ Attachment	c Pressure switch	—	Without attachment	●	●	●	●
		S ^{Note 5)}	Mounting position: AF+S+AR	●	●	●	●
	T-shaped spacer	T ^{Note 5)}	Mounting position: AF+T+AR	●	●	●	●
		+					
d 3-port valve for residual pressure release	—	Without attachment	●	●	●	●	
	V	Mounting position: AF+AR+V	●	●	●	●	
	V1 ^{Note 6)}	Mounting position: V+AF+AR	●	●	●	●	
+							
⑥ Semi-standard	e Set pressure ^{Note 7)}	—	0.05 to 0.7 MPa setting	●	●	●	●
		1	0.02 to 0.2 MPa setting	●	●	●	●
	+						
	f Bowl	—	Polycarbonate bowl	●	●	●	●
		C	With bowl guard	●	—	—	—
	+						
g Filter drain port	—	With drain cock	●	●	●	●	
	J ^{Note 8)}	Drain guide 1/8	●	—	—	—	
		Drain guide 1/4	—	●	●	●	
	W	Drain cock with barb fitting (for ø6 x ø4 nylon tube)	—	●	●	●	

Air Combination Series AC20B-A to AC40B-A



AC20B-A

AC40B-A

	Symbol	Description	①				
			Body size				
			20	25	30	40	
⑥ Semi-standard	h	—	Relieving type	●	●	●	●
		N	Non-relieving type	●	●	●	●
			+				
	i	—	Flow direction: Left to right	●	●	●	●
		R	Flow direction: Right to left	●	●	●	●
			+				
j	—	Name plate and pressure gauge in imperial units: MPa	●	●	●	●	
	Z ^{Note 9)}	Name plate, caution plate for bowl, and pressure gauge in imperial units: psi, °F	○ ^{Note 10)}	○ ^{Note 10)}	○ ^{Note 10)}	○ ^{Note 10)}	

Note 1) Option G, M are not assembled and supplied loose at the time of shipment.

Note 2) When pressure is not applied, condensate which does not start the auto drain mechanism will be left in the bowl. Releasing the residual condensate before ending operations for the day is recommended.

Note 3) If the compressor is small (0.75 kW, discharge flow is less than 100 L/min[ANR]), air leakage from the drain cock may occur during start of operations. N.C. type is recommended.

Note 4) When the pressure gauge is attached, a 1.0 MPa pressure gauge will be fitted for standard (0.7 MPa) type. 0.4 MPa pressure gauge for 0.2 MPa type.

Note 5) The bracket position varies depending on the T-shaped spacer or pressure switch mounting.

Note 6) Make sure that the outlet pressure is released to atmospheric pressure using a pressure gauge.

Note 7) Pressure can be set higher than the specification pressure in some cases, but use pressure within the specification range.

Note 8) Without a valve function.

Note 9) For thread type: NPT. MPa and psi are shown together on the pressure unit. Round pressure gauge (with colour zone): Cannot be used with M. Available by request for special.

Note 10) ○: For thread type: NPT only.

Standard Specifications

Model		AC20B-A	AC25B-A	AC30B-A	AC40B-A	AC40B-06-A
Component	Air filter	AF20-A	AF30-A	AF30-A	AF40-A	AF40-06-A
	Regulator	AR20-A	AR25-A	AR30-A	AR40-A	AR40-06-A
Port size		1/8, 1/4	1/4, 3/8	1/4, 3/8	1/4, 3/8, 1/2	3/4
Pressure gauge port size		1/8				
Fluid		Air				
Ambient and fluid temperature		- 5 to 60°C (with no freezing)				
Proof pressure		1.5 MPa				
Maximum operating pressure		1.0 MPa				
Set pressure range		0.05 to 0.7 MPa				
Nominal filtration rating		5 μm				
Bowl material		Polycarbonate				
Bowl guard		Semi-standard (Steel)	Standard (Polycarbonate)			
Regulator construction		Relieving type				
Weight [kg]		0.27	0.42	0.57	0.79	0.90

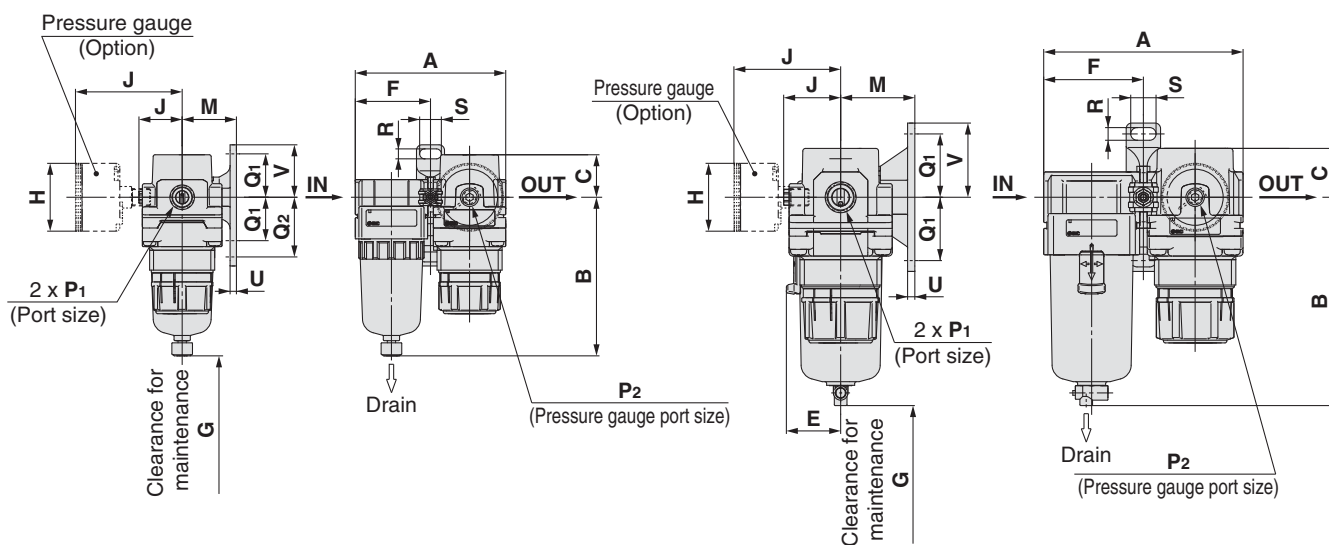
AC
AF+AR+AL
AW+AL
AF+AR
AF+AFM+AR
AW+AFM
Attachment
AF
AFM/AFD
AR
AL
AW

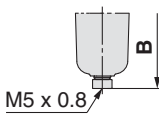
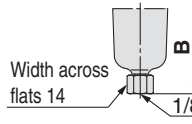
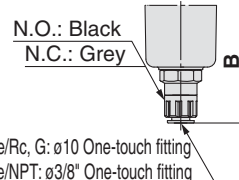
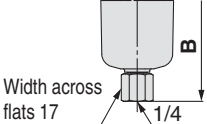
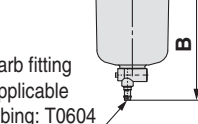
Series AC20B-A to AC40B-A

Dimensions

AC20B-A

AC25B-A to AC40B-A



Applicable model	AC20B-A		AC25B-A to AC40B-A		
Optional/Semi-standard specifications	With auto drain (N.C.)	With drain guide	With auto drain (N.O./N.C.)	With drain guide	Drain cock with barb fitting
Dimensions					
			Thread type/Rc, G: $\phi 10$ One-touch fitting Thread type/NPT: $\phi 3/8$ " One-touch fitting		

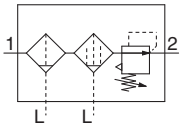
Model	Standard specifications															
	P ₁	P ₂	A	B	C	E	F	G	J	Bracket mount						
										M	Q ₁	Q ₂	R	S	U	V
AC20B-A	1/8, 1/4	1/8	83.2	87.6	23.5	—	41.6	25	23.4	30	24	33	5.5	12	3.5	29
AC25B-A	1/4, 3/8	1/8	110.2	115.1	23.5	30	55.1	35	30.5	41	35	—	7	14	4	41
AC30B-A	1/4, 3/8	1/8	110.2	115.1	27	30	55.1	35	30.5	41	35	—	7	14	4	41
AC40B-A	1/4, 3/8, 1/2	1/8	145.2	147.1	33.5	38.4	72.6	40	36.1	50	40	—	9	18	5	48
AC40B-06-A	3/4	1/8	155.2	149.1	33.5	38.4	77.6	40	39.6	50	40	—	9	18	5	48

Model	Optional specifications				Semi-standard specifications		
	Round type pressure gauge		Round type pressure gauge (with colour zone)		With auto drain	With barb fitting	With drain guide
	H	J	H	J	B	B	B
AC20B-A	$\phi 37.5$	58.5	$\phi 37.5$	59.5	104.9	—	91.4
AC25B-A	$\phi 37.5$	58.5	$\phi 37.5$	59.5	156.8	123.6	121.9
AC30B-A	$\phi 37.5$	65	$\phi 37.5$	66	156.8	123.6	121.9
AC40B-A	$\phi 42.5$	72	$\phi 42.5$	72	186.9	155.6	153.9
AC40B-06-A	$\phi 42.5$	72	$\phi 42.5$	72	188.9	157.6	155.9

AW	AL	AR	AFM / AFD	AF	Attachment	AW+AFM	AF+AFM+AR	AF+AR	AW+AL	AF+AR+AL	AC
----	----	----	-----------	----	------------	--------	-----------	-------	-------	----------	----

AC20C-A to AC40C-A

JIS Symbol



How to Order

AC **30** C- **03** **DG** - - -A

①
②
③
④
⑤
⑥

- Option/Semi-standard: Select one each for a to j.
- Option/Attachment/Semi-standard symbol: When more than one specification is required, indicate in alphanumeric order.
Example) AC30C-F03DM-SV-1NR-A

	Symbol	Description	①				
			Body size				
			20	25	30	40	
②	—	Rc	●	●	●	●	
	N	NPT	●	●	●	●	
	F	G	●	●	●	●	
+							
③	01	1/8	●	—	—	—	
	02	1/4	●	●	●	●	
	03	3/8	—	●	●	●	
	04	1/2	—	—	—	●	
	06	3/4	—	—	—	●	
+							
④	a	—	Without auto drain	●	●	●	●
		C ^{Note 2)}	N.C. (Normal close) Drain port is closed when pressure is not applied.	●	●	●	●
		D ^{Note 3)}	N.O. (Normal open) Drain port is open when pressure is not applied.	—	●	●	●
	+						
	b	—	Without pressure gauge	●	●	●	●
		G ^{Note 4)}	Round type pressure gauge (with limit indicator)	●	●	●	●
M		Round type pressure gauge (with colour zone)	●	●	●	●	
+							
⑤	c	—	Without attachment	●	●	●	●
		S ^{Note 5)}	Mounting position: AF+AFM+S+AR	●	●	●	●
	T ^{Note 5)}	Mounting position: AF+AFM+T+AR	●	●	●	●	
	+						
d	—	Without attachment	●	●	●	●	
	V	Mounting position: AF+AFM+AR+V	●	●	●	●	
	V1 ^{Note 6)}	Mounting position: V+AF+AFM+AR	●	●	●	●	
+							
⑥	e	—	0.05 to 0.7 MPa setting	●	●	●	●
		1	0.02 to 0.2 MPa setting	●	●	●	●
	+						
	f	—	Polycarbonate bowl	●	●	●	●
		C	With bowl guard	●	—	—	—
	+						
	g	—	With drain cock	●	●	●	●
		J ^{Note 8)}	Drain guide 1/8	●	—	—	—
		Drain guide 1/4	—	●	●	●	
W		Drain cock with barb fitting (for ø6 x ø4 nylon tube)	—	●	●	●	
+							
h	—	Relieving type	●	●	●	●	
	N	Non-relieving type	●	●	●	●	

Air Combination Series AC20C-A to AC40C-A



AC20C-A

AC40C-A

		Symbol	Description	①			
				Body size			
				20	25	30	40
6	i	—	Flow direction: Left to right	●	●	●	●
		R	Flow direction: Right to left	●	●	●	●
+							
Semi-standard	j	—	Name plate and pressure gauge in imperial units: MPa	●	●	●	●
		Z ^{Note 9)}	Name plate, caution plate for bowl, and pressure gauge in imperial units: psi, °F	○ ^{Note 10)}	○ ^{Note 10)}	○ ^{Note 10)}	○ ^{Note 10)}

Note 1) Option G, M are not assembled and supplied loose at the time of shipment.

Note 2) When pressure is not applied, condensate which does not start the auto drain mechanism will be left in the bowl. Releasing the residual condensate before ending operations for the day is recommended.

Note 3) If the compressor is small (0.75 kW, discharge flow is less than 100 L/min[ANR]), air leakage from the drain cock may occur during start of operations. N.C. type is recommended.

Note 4) When the pressure gauge is attached, a 1.0 MPa pressure gauge will be fitted for standard (0.7 MPa) type. 0.4 MPa pressure gauge for 0.2 MPa type.

Note 5) The bracket position varies depending on the T-shaped spacer or pressure switch mounting.

Note 6) Make sure that the outlet pressure is released to atmospheric pressure using a pressure gauge.

Note 7) Pressure can be set higher than the specification pressure in some cases, but use pressure within the specification range.

Note 8) Without a valve function.

Note 9) For thread type: NPT. MPa and psi are shown together on the pressure unit. Round pressure gauge (with colour zone): Cannot be used with M. Available by request for special.

Note 10) ○: For thread type: NPT only.

Standard Specifications

Model		AC20C-A	AC25C-A	AC30C-A	AC40C-A	AC40C-06-A
Component	Air filter	AF20-A	AF30-A	AF30-A	AF40-A	AF40-06-A
	Mist separator	AFM20-A	AFM30-A	AFM30-A	AFM40-A	AFM40-06-A
	Regulator	AR20-A	AR25-A	AR30-A	AR40-A	AR40-06-A
Port size		1/8, 1/4	1/4, 3/8	1/4, 3/8	1/4, 3/8, 1/2	3/4
Pressure gauge port size		1/8				
Fluid		Air				
Ambient and fluid temperature		- 5 to 60°C (with no freezing)				
Proof pressure		1.5 MPa				
Maximum operating pressure		1.0 MPa				
Minimum operating pressure		0.05 MPa				
Set pressure range		0.05 to 0.7 MPa				
Nominal filtration rating		AF: 5 μm, AFM: 0.3 μm (99.9% filtered particle size)				
Outlet side oil mist concentration		MAX 1.0 mg/m ³ (ANR) (≈0.8 ppm) ^{Note 2) Note 3)}				
Rated flow [L/min (ANR)] ^{Note 1)}		200	450	450	1100	1100
Bowl material		Polycarbonate				
Bowl guard		Semi-standard (Steel)	Standard (Polycarbonate)			
Regulator construction		Relieving type				
Weight [kg]		0.38	0.67	0.82	1.26	1.42

Note 1) Conditions: Mist separator inlet pressure: 0.7 MPa; The rated flow varies depending on the inlet pressure.

Keep the air flow within the rated flow to prevent an outflow of lubricant to the outlet side.

Note 2) When the compressor oil mist discharge concentration is 30 mg/m³ (ANR).

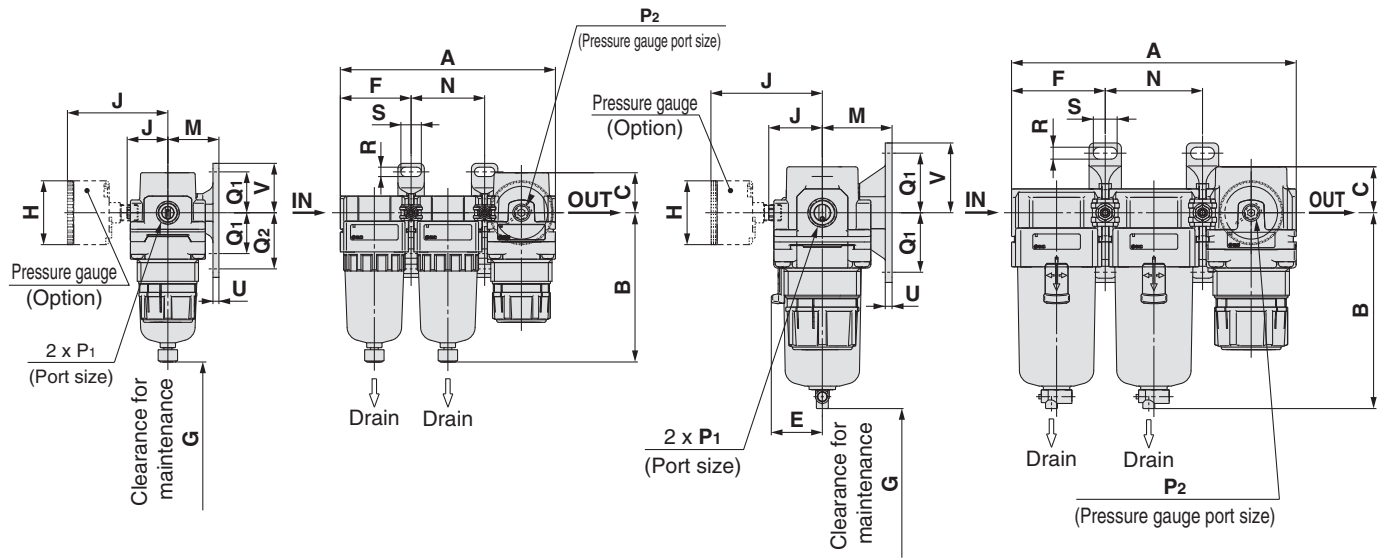
Note 3) Bowl O-ring and other O-rings are slightly lubricated.

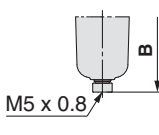
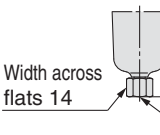
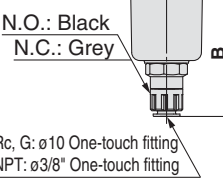
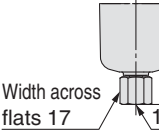
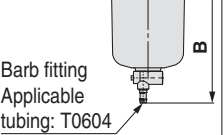
Series AC20C-A to AC40C-A

Dimensions

AC20C-A

AC25C-A to AC40C-06-A



Applicable model	AC20C-A		AC25C-A to AC40C-06-A		
Optional/Semi-standard specifications	With auto drain (N.C.)	With drain guide	With auto drain (N.O./N.C.)	With drain guide	Drain cock with barb fitting
Dimensions					
			N.O.: Black N.C.: Grey		Barb fitting Applicable tubing: T0604
			Thread type/Rc, G: $\phi 10$ One-touch fitting Thread type/NPT: $\phi 3/8$ " One-touch fitting		

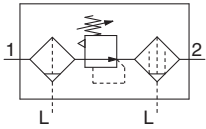
Model	Standard specifications																
	P ₁	P ₂	A	B	C	E	F	G	J	Bracket mount							
										M	N	Q ₁	Q ₂	R	S	U	V
AC20C-A	1/8, 1/4	1/8	126.4	87.6	23.5	—	41.6	40	23.4	30	43.2	24	33	5.5	12	3.5	29
AC25C-A	1/4, 3/8	1/8	167.4	115.1	23.5	30	55.1	50	30.5	41	57.2	35	—	7	14	4	41
AC30C-A	1/4, 3/8	1/8	167.4	115.1	27	30	55.1	50	30.5	41	57.2	35	—	7	14	4	41
AC40C-A	1/4, 3/8, 1/2	1/8	220.4	147.1	33.5	38.4	72.6	75	36.1	50	75.2	40	—	9	18	5	48
AC40C-06-A	3/4	1/8	235.4	149.1	33.5	38.4	77.6	75	39.6	50	80.2	40	—	9	18	5	48

Model	Optional specifications				Semi-standard specifications		
	Round type pressure gauge		Round type pressure gauge (with colour zone)		With auto drain	With barb fitting	With drain guide
	H	J	H	J	B	B	B
AC20C-A	$\phi 37.5$	58.5	$\phi 37.5$	59.5	104.9	—	91.4
AC25C-A	$\phi 37.5$	58.5	$\phi 37.5$	59.5	156.8	123.6	121.9
AC30C-A	$\phi 37.5$	65	$\phi 37.5$	66	156.8	123.6	121.9
AC40C-A	$\phi 42.5$	72	$\phi 42.5$	72	186.9	155.6	153.9
AC40C-06-A	$\phi 42.5$	72	$\phi 42.5$	72	188.9	157.6	155.9

AW	AL	AR	AFM / AFD	AF	Attachment	AW+AFM	AF+AFM+AR	AF+AR	AW+AL	AF+AR+AL	AC
----	----	----	-----------	----	------------	--------	-----------	-------	-------	----------	----

AC20D-A to AC40D-A

JIS Symbol



How to Order

AC **30** D- **03** **DG** - - -A

① ② ③ ④ ⑤ ⑥

• Option/Semi-standard: Select one each for a to j.
 • Option/Attachment/Semi-standard symbol: When more than one specification is required, indicate in alphanumeric order.
 Example) AC30D-F03DM-SV-1NR-A

	Symbol	Description	① Body size			
			20	30	40	
② Thread type	—	Rc	●	●	●	
	N	NPT	●	●	●	
	F	G	●	●	●	
+						
③ Port size	01	1/8	●	—	—	
	02	1/4	●	●	●	
	03	3/8	—	●	●	
	04	1/2	—	—	●	
	06	3/4	—	—	●	
+						
④ Option	a Float type auto drain	—	Without auto drain	●	●	●
		C ^{Note 2)}	N.C. (Normal close) Drain port is closed when pressure is not applied.	●	●	●
		D ^{Note 3)}	N.O. (Normal open) Drain port is open when pressure is not applied.	—	●	●
	+					
	b Pressure gauge ^{Note 4)}	—	Without pressure gauge	●	●	●
		G	Round type pressure gauge (with limit indicator)	●	●	●
M		Round type pressure gauge (with colour zone)	●	●	●	
+						
⑤ Attachment	c Pressure switch	—	Without attachment	●	●	●
		S ^{Note 5)}	Mounting position: AW+S+AFM	●	●	●
	+					
d 3-port valve for residual pressure release	—	Without attachment	●	●	●	
	V	Mounting position: AW+AFM+V	●	●	●	
	V1 ^{Note 6)}	Mounting position: V+AW+AFM	●	●	●	
+						
⑥ Semi-standard	e Set pressure ^{Note 7)}	—	0.05 to 0.7 MPa setting	●	●	●
		1	0.02 to 0.2 MPa setting	●	●	●
	+					
	f Bowl	—	Polycarbonate bowl	●	●	●
		C	With bowl guard	●	—	—
	+					
	g Filter regulator Mist separator drain port	—	With drain cock	●	●	●
		J ^{Note 8)}	Drain guide 1/8	●	—	—
			Drain guide 1/4	—	●	●
		W	Drain cock with barb fitting (for ø6 x ø4 nylon tube)	—	●	●
	+					
	h Exhaust mechanism	—	Relieving type	●	●	●
N		Non-relieving type	●	●	●	
+						
i Flow direction	—	Flow direction: Left to right	●	●	●	
	R	Flow direction: Right to left	●	●	●	

Air Combination *Series AC20D-A to AC40D-A*



AC20D-A

AC40D-A

	Symbol	Description	①		
			Body size		
			20	30	40
⑥ Semi-standard	j	Pressure unit	—	●	●
		z ^{Note 9)}	Name plate and pressure gauge in imperial units: [MPa] Name plate, caution plate for bowl, and pressure gauge in imperial units: psi, °F	○ ^{Note 10)}	○ ^{Note 10)}

Note 1) Option G, M are not assembled and supplied loose at the time of shipment.
 Note 2) When pressure is not applied, condensate which does not start the auto drain mechanism will be left in the bowl. Releasing the residual condensate before ending operations for the day is recommended.
 Note 3) If the compressor is small (0.75 kW, discharge flow is less than 100 L/min[ANR]), air leakage from the drain cock may occur during start of operations. N.C. type is recommended.

Note 4) When the pressure gauge is attached, a 1.0 [MPa] pressure gauge will be fitted for standard (0.7 [MPa]) type. 0.4 [MPa] pressure gauge for 0.2 [MPa] type.
 Note 5) The bracket position varies depending on the pressure switch mounting.
 Note 6) Make sure that the outlet pressure is released to atmospheric pressure using a pressure gauge.
 Note 7) Pressure can be set higher than the specification pressure in some cases, but use pressure within the specification range.
 Note 8) Without a valve function.

Note 9) For thread type: NPT. [MPa] and psi are shown together on the pressure unit. Round pressure gauge (with colour zone): Cannot be used with M. Available by request for special.
 Note 10) ○: For thread type: NPT only.

Standard Specifications

Model		AC20D-A	AC30D-A	AC40D-A	AC40D-06-A
Component	Filter regulator	AW20-A	AW30-A	AW40-A	AW40-06-A
	Mist separator	AFM20-A	AFM30-A	AFM40-A	AFM40-06-A
Port size		1/8, 1/4	1/4, 3/8	1/4, 3/8, 1/2	3/4
Pressure gauge port size		1/8			
Fluid		Air			
Ambient and fluid temperature		- 5 to 60°C (with no freezing)			
Proof pressure		1.5 [MPa]			
Maximum operating pressure		1.0 [MPa]			
Minimum operating pressure		0.05 [MPa]			
Set pressure range		0.05 to 0.7 [MPa]			
Nominal filtration rating		AW: 5 µm, AFM: 0.3 µm (99.9% filtered particle size)			
Rated flow [L/min (ANR)] ^{Note 1)}		150	330	800	800
Outlet side oil mist concentration		MAX 1.0 mg/m ³ (ANR) (≈0.8 ppm) ^{Note 2) Note 3)}			
Bowl material		Polycarbonate			
Bowl guard		Semi-standard (Steel)	Standard (Polycarbonate)		
Regulator construction		Relieving type			
Weight [kg]		0.32	0.65	1.22	1.34

Note 1) Conditions: Mist separator inlet pressure: 0.5 [MPa]; The rated flow varies depending on the inlet pressure.

Keep the air flow within the rated flow to prevent an outflow of lubricant to the outlet side.

Note 2) When the compressor oil mist discharge concentration is 30 mg/m³ (ANR).

Note 3) Bowl O-ring and other O-rings are slightly lubricated.

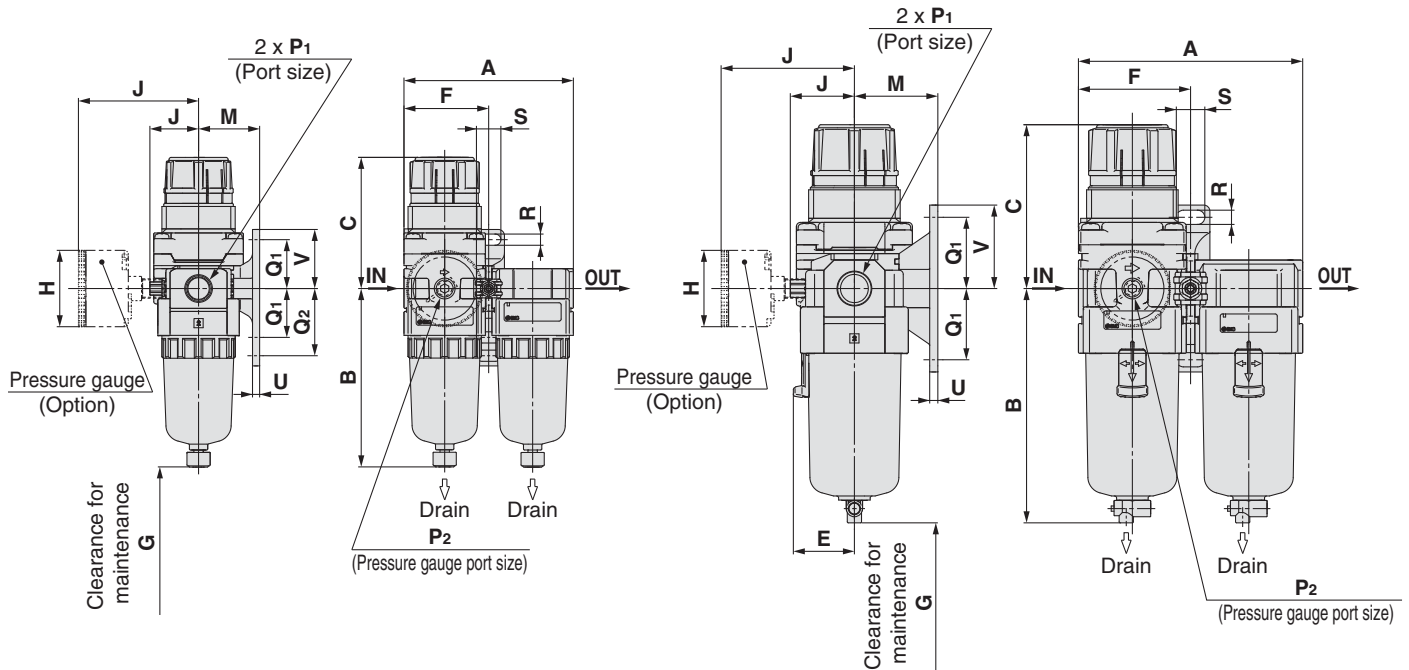
AC
 AF+AR+AL
 AW+AL
 AF+AR
 AF+AFM+AR
 AW+AFM
 Attachment
 AF
 AFM/AFD
 AR
 AL
 AW

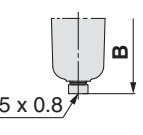
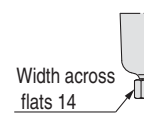
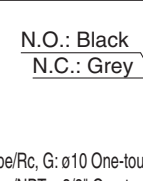
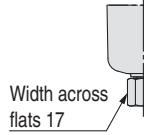
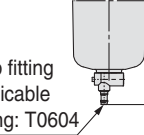
Series AC20D-A to AC40D-A

Dimensions

AC20D-A

AC30D-A to AC40D-06-A



Applicable model	AC20D-A		AC30D-A to AC40D-06-A				
Optional/Semi-standard specifications	With auto drain (N.C.)	With drain guide	With auto drain (N.O./N.C.)	With drain guide	Drain cock with barb fitting		
Dimensions						N.O.: Black N.C.: Grey Thread type/Rc, G: $\phi 10$ One-touch fitting Thread type/NPT: $\phi 3/8$ " One-touch fitting Barb fitting Applicable tubing: T0604	

Model	Standard specifications															
	P ₁	P ₂	A	B	C (Note)	E	F	G	J	Bracket mount						
										M	Q ₁	Q ₂	R	S	U	V
AC20D-A	1/8, 1/4	1/8	83.2	87.6	67.4	—	41.6	40	23.4	30	24	33	5.5	12	3.5	29
AC30D-A	1/4, 3/8	1/8	110.2	115.1	83.5	30	55.1	50	30.5	41	35	—	7	14	4	41
AC40D-A	1/4, 3/8, 1/2	1/8	145.2	147.1	100	38.4	72.6	75	36.1	50	40	—	9	18	5	48
AC40D-06-A	3/4	1/8	155.2	149.1	101.5	38.4	77.6	75	39.6	50	40	—	9	18	5	48

Model	Optional specifications				Semi-standard specifications		
	Round type pressure gauge		Round type pressure gauge (with color zone)		With auto drain	With barb fitting	With drain guide
	H	J	H	J	B	B	B
AC20D-A	$\phi 37.5$	58.5	$\phi 37.5$	59.5	104.9	—	91.4
AC30D-A	$\phi 37.5$	65	$\phi 37.5$	66	156.8	123.6	121.9
AC40D-A	$\phi 42.5$	72	$\phi 42.5$	72	186.9	155.6	153.9
AC40D-06-A	$\phi 42.5$	72	$\phi 42.5$	72	188.9	157.6	155.9

Note) The total length of C dimension is the length when the filter regulator knob is unlocked.

Air Combination

Series AC

Options/Attachments

Options/Attachments Part No.

Section	Model		Part no.				
			For AC20-A For AC20A-A	For AC25-A —	For AC30-A For AC30A-A	For AC40-A For AC40A-A	For AC40-06-A For AC40A-06-A
Type			For AC20B-A For AC20C-A	For AC25B-A For AC25C-A	For AC30B-A For AC30C-A	For AC40B-A For AC40C-A	For AC40B-06-A For AC40C-06-A
			For AC20D-A	—	For AC30D-A	For AC40D-A	For AC40D-06-A
Option	Round type	Standard	G36-10-□01		G46-10-□01		
	Round type (with colour zone)	Standard	G36-4-□01		G46-4-□01		
Attachment	Round type	Standard	G36-10-□01-L		G46-10-□01-L		
	Round type (with colour zone)	Standard	G36-4-□01-L		G46-4-□01-L		
Attachment	Spacer	Y200-A	Y300-A		Y400-A		Y500-A
	Spacer with bracket	Y200T-A	Y300T-A		Y400T-A		Y500T-A
	Check valve Note 2) Note 3)	AKM2000-□01-A □02-A	AKM3000-□01-A □02-A		AKM4000-□02-A □03-A		—
	Pressure switch Note 3)	IS10M-20-A	IS10M-30-A		IS10M-40-A		IS10M-50-A
	T-shaped spacer Note 2) Note 3)	Y210-□01-A □02-A	Y310-□01-A □02-A		Y410-□02-A □03-A		Y510-□02-A □03-A
	3-port valve for residual pressure release Note 3)	VHS20-□01A □02A	VHS30-□02A □03A		VHS40-□02A □03A □04A		VHS40-□06A
	Piping adapter Note 3)	□01-A E200-□02-A □03-A	□02 E300-□03-A □04		□02-A E400-□03-A □04-A □06-A		E500-□06-A
	Pressure switch with piping adapter Note 3)	□01-A IS10E-20□02-A □03-A	□02-A IS10E-30□03-A □04-A		□02-A IS10E-40□03-A □04-A □06-A		—
	Cross spacer Note 3)	Y24-□01-A □02-A	Y34-□01-A □02-A		Y44-□02-A □03-A		Y54-□03-A □04-A

Note 1) □ in part numbers for a round pressure gauge indicates a type of connection thread. No indication is necessary for R; however, indicate N for NPT. Please contact SMC regarding the connection thread NPT and pressure gauge supply for psi unit specifications.

Note 2) For F.R.L. units, port sizes without () are standard specifications.

Note 3) Separate interfaces are required for modular unit.

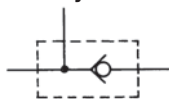
Check Valve: (K) 1/8, 1/4, 3/8

A check valve with intermediate air release port can be easily installed to prevent a backflow of lubricant when redirecting the air flow and releasing the air on the outlet side of the regulator.

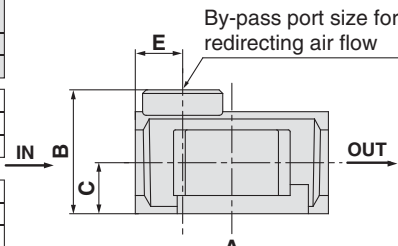
AKM **30** **00** - **□** **01** - A

① ② ③

JIS Symbol



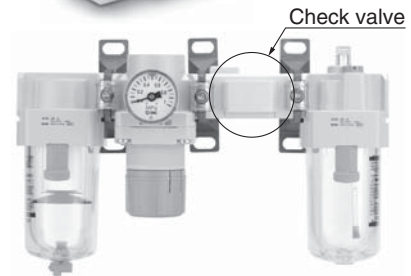
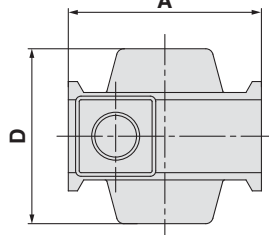
Symbol	Description	① Body size			
		20	30	40	
② Thread type	—	Rc	●	●	●
	N	NPT	●	●	●
	F	G	●	●	●
③ By-pass port size	+				
	01	1/8	●	●	—
	02	1/4	●	●	●
	03	3/8	—	—	●



Specifications

Model	Effective area [mm ²]
AKM2000-A	28
AKM3000-A	55
AKM4000-A	111

Be sure to use above check valves when redirecting the air flow on the inlet side of the lubricator. Threads for IN and OUT ports are not machined.



Model	By-pass port size	A	B	C	D	E	Applicable model
AKM2000-A	1/8, 1/4	40	28	11	40	11	AC20-A, AC20A-A
AKM3000-A	1/8, 1/4	53	34	14	48	13	AC25-A AC30-A, AC30A-A
AKM4000-A	1/4, 3/8	70	42	18	54	15	AC40-A, AC40A-A ^{Note)}

Note) A pressure switch cannot be mounted on the AC40□-06-A.

* Refer to the attachment table above for standard by-pass port sizes applicable to the AC.

AC
AF+AR+AL
AF+AR
AW+AL
AF+AR
AF+AFM+AR
AW+AFM
Attachment
AF
AFM/AFD
AR
AL
AW

Series AC

Pressure Switch

A compact integrated pressure switch can be easily installed and facilitates the pressure detection of the line.

IS10M-30- -A

① ②

- Semi-standard: Select one each for **a** to **c**.
- Semi-standard symbol: When more than one specification is required, indicate in alphanumeric order. Example) IS10M-30-6LP

	Symbol	Description	①		
			Body size		
			20	30	40
② Semi-standard	a Set pressure length	—	●	●	●
		6 <small>Note 1)</small>	●	●	●
	b Lead wire length	+	●	●	●
		—	●	●	●
		L	●	●	●
	c Pressure unit of the scale plate	—	●	●	●
P		●	●	●	

Note 1) Set pressure range of 6P (L, Z) is 0.2 to 0.6 MPa (30 to 90 psi).

Specifications

Fluid	Air
Ambient and fluid temperature	-5 to 60°C (with no freezing)
Proof pressure	1.0 MPa
Maximum operating pressure	0.7 MPa
Set pressure range (when OFF)	0.1 to 0.4 MPa
Hysteresis	0.08 MPa or less

Switch Characteristics

Contact point configuration	1a
Maximum contact point capacity	2 VA (AC), 2 W (DC)
Operating voltage: AC, DC	100V or less
Maximum operating current	12 V to 24 VAC, DC: 50 mA 48 VAC, DC: 40 mA 100 VAC, DC: 20 mA

Note) For detailed specifications on the IS10 series, please refer to the section of our website IS10 series, www.smc.eu

T-shaped Spacer: (T) 1/8, 1/4, 3/8

Using a T-shaped facilitates the branching of air flow.



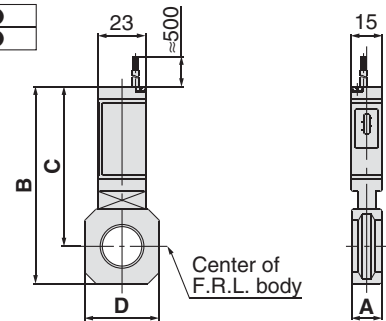
Caution on Mounting

If a T-shaped spacer is used on the IN side of the lubricator, lubricant may be mixed. Use the AKM series check valve to avoid such possibility.

JIS Symbol

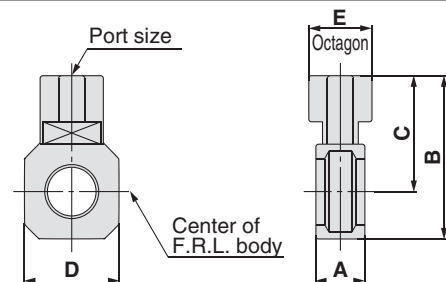


Pressure switch



Model	A	B	C	D	Applicable model
IS10M-20-A	10.6	74.2	64.4	28	AC20□-A
IS10M-30-A	12.6	84.5	70.5	30	AC25□-A, AC30□-A
IS10M-40-A	14.6	93.3	75.3	36	AC40□-A
IS10M-50-A	16.6	97.3	77.3	44	AC40□-06-A

* Separate spacers are required for modular unit.



Model <small>Note)</small>	Port size	A	B	C	D	E	Applicable model
Y210-□01-A	1/8	14.6	41.8	32	28	19	AC20-A, AC20B-A
Y210-□02-A	1/4						AC20C-A
Y310-□01-A	1/8	14.6	52.7	38.7	30	19	AC25-A, AC25B-A
Y310-□02-A	1/4						AC25C-A, AC30-A
Y410-□02-A	1/4	18.6	62	44	36	24	AC40-A, AC40B-A
Y410-□03-A	3/8						AC40C-A
Y510-□02-A	1/4	18.6	66	46	44	24	AC40-06-A, AC40B-06-A
Y510-□03-A	3/8						AC40C-06-A

Note) □ in model numbers indicates a thread type. No indication is necessary for Rc; however, indicate N for NPT, and F for G.

* Separate interfaces are required for modular unit.

* Refer to the attachment table on page 22 for standard port sizes when using with the AC.

Pressure Relief 3 Port Valve: (V)

With the use of a 3-port valve for residual pressure release, pressure left in the line can be easily exhausted.

VHS 30 - 03 **A** -

1
 2
 3
 4

- Semi-standard: Select one each for **a** to **b**.
- Semi-standard symbol: When more than one specification is required, indicate in alphabetic order.
Example) VHS30-03A-RZ

	Symbol	Description	①		
			Body size		
			20	30	40
② Thread type	—	Rc	●	●	●
	N (Note)	NPT	●	●	●
	F (Note)	G	●	●	●
③ Port size	+				
	01	1/8	●	—	—
	02	1/4	●	●	—
	03	3/8	—	●	●
	04	1/2	—	—	●
④ Semi-standard	a	Flow direction			
		—	Flow direction: Left to right	●	●
	R	Flow direction: Right to left	●	●	●
b	Pressure unit	—	Name plate in imperial units: MPa		
		Z (Note)	Name plate in imperial units: psi		
			●	●	●

Note) For thread type: NPT only.

Specifications

Model	Port size		Specifications					
	IN, OUT	EXH	IN → OUT			OUT → EXH		
			C [dm ³ /s-bar]	b	Cv	C [dm ³ /s-bar]	b	Cv
VHS20	1/8	1/8	2.4	0.43	0.65	2.5	0.39	0.69
	1/4		3.3	0.40	0.88	3.1	0.51	0.84
VHS30	1/4	1/4	6.4	0.45	1.7	6.2	0.38	1.7
	3/8		8.3	0.41	2.3	7.0	0.41	1.9
VHS40	1/4	3/8	7.3	0.49	2.0	8.5	0.35	2.3
	3/8		10.9	0.45	3.0	11.6	0.40	3.1
	1/2		14.2	0.39	3.8	13.3	0.43	3.6
VHS40-06	3/4	1/2	18.3	0.31	5.0	17.7	0.37	4.8

Note) Use an air filter on the IN side for operating protection.

Cross Spacer: 1/8, 1/4, 3/8, 1/2

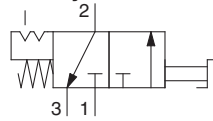
Pipings are possible in all 4 directions. IN/OUT ports are not machined for threads. Please contact SMC if threaded (machined) ports are required.



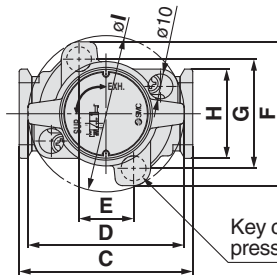
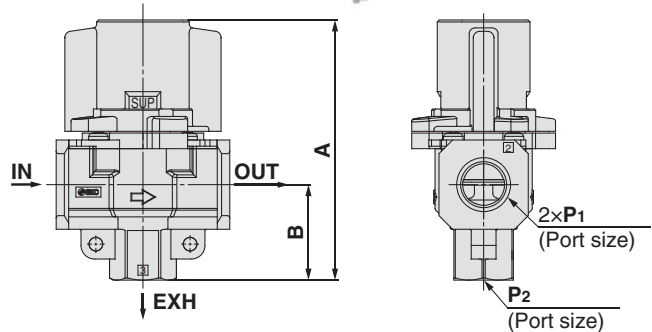
Caution on Mounting

1. When mounting a cross interface directly on the IN side of the lubricator, be sure to use the AKM series check valve between the lubricator and cross interface.
2. Factory mounting of a cross interface on the AC model is available as a special order.

JIS Symbol

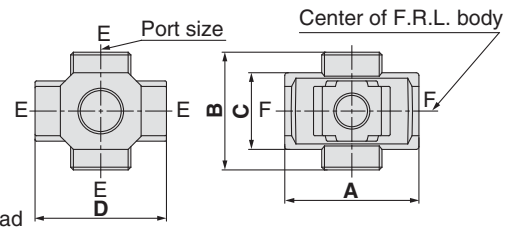


3-port valve for residual pressure release



Key can be mounted when residual pressure is released.

Model	Standard specifications										
	P1	P2	A	B	C	D	E	F	G	H	I
VHS20	1/8, 1/4	1/8	66.4	22.25	40	37.5	14	46.6	33.6	28	37.5
VHS30	1/4, 3/8	1/4	80.3	29.4	53	49	19	52	38	30	49
VHS40	1/4, 3/8, 1/2	3/8	104.9	38.5	70	63	22	58	44	36	63
VHS40-06	3/4	1/2	110.4	42	75	63	22	58	44	44	63



E: 4 × Rc
F: Without thread

Model (Note)	Port size	A	B	C	D	Applicable model
Y24-□01-A	1/8	40	40	22	40	AC20□-A
Y24-□02-A	1/4					
Y34-□01-A	1/8	49	43	28	48	AC25□-A, AC30□-A
Y34-□02-A	1/4					
Y44-□02-A	1/4	60	48	36	54	AC40□-A
Y44-□03-A	3/8					
Y54-□03-A	3/8	72	62	40	62	AC40□-06-A
Y54-□04-A	1/2					

Note) □ in model numbers indicates a thread type. No indication is necessary for Rc; however, indicate N for NPT, and F for G.

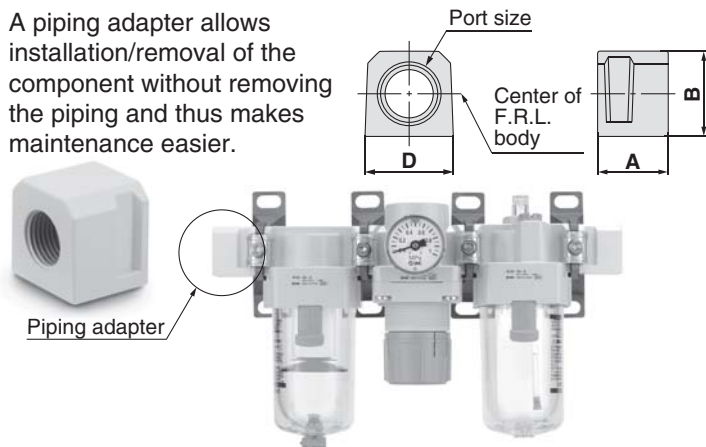
* If threaded IN/OUT ports are required, they are available as a special order. Please contact SMC.

* Two hexagon socket head plugs are included in the package.

Series AC

Piping Adapter: 1/8, 1/4, 3/8, 1/2, 3/4

A piping adapter allows installation/removal of the component without removing the piping and thus makes maintenance easier.



Model Note)	Portsize	A	B	D	Applicable model
E200-□01-A	1/8	29.8	23.5	28	AC20□-A
E200-□02-A	1/4				
E200-□03-A	3/8				
E300-□02-A	1/4	31.8	30	30	AC25□-A, AC30□-A
E300-□03-A	3/8				
E300-□04-A	1/2				
E400-□02-A	1/4	31.8	36	36	AC40□-A
E400-□03-A	3/8				
E400-□04-A	1/2				
E400-□06-A	3/4				
E500-□06-A	3/4	31.8	40	44	AC40□-06-A

Note) □ in model numbers indicates a thread type. No indication is necessary for Rc; however, indicate N for NPT, and F for G.
 * Separate interfaces are required for modular unit.
 * Factory mounting of a piping adapter on the AC models is available as a special order.

Pressure Switch with Piping Adapter

IS10E-□30□□03-□-A

① ② ③ ④

- Semi-standard: Select one each for a to d.
- Semi-standard symbol: When more than one specification is required, indicate in alphanumeric order.
 Example) IS10E-30N03-6PRZ

	Symbol	Description	① Body size			
			20	30	40	
② Thread type	—	Rc	●	●	●	
	N Note)	NPT	●	●	●	
	F Note)	G	●	●	●	
③ Port size	+					
	01	1/8	●	—	—	
	02	1/4	●	●	●	
	03	3/8	●	●	●	
	04	1/2	—	●	●	
	06	3/4	—	—	●	
④ Semi-standard	a Set pressure range	—	0.1 to 0.4 MPa	●	●	●
		6 Note 1)	0.1 to 0.6 MPa	●	●	●
	b Lead wire length	+				
		—	0.5 m	●	●	●
		L	3 m	●	●	●
	Z	5 m	●	●	●	
	c Pressure unit of the scale plate	+				
		—	MPa	●	●	●
	P Note 2)	MPa/psi dual scale	●	●	●	
	d Mounting position	+				
		—	Right	●	●	●
	R	Left	●	●	●	

Note 1) Set pressure range of 6P (L, Z) is 0.2 to 0.6 MPa (30 to 90 psi).

Note 2) For thread type: NPT only.

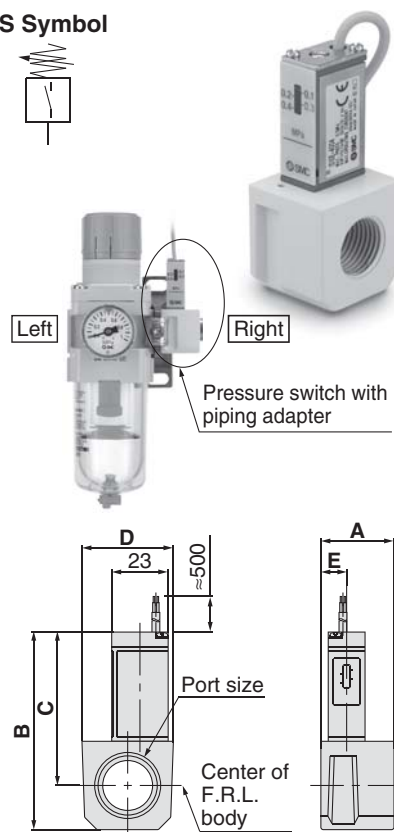
Specifications

Fluid	Air
Ambient and fluid temperature	-5 to 60°C (with no freezing)
Proof pressure	1.0 MPa
Maximum operating pressure	0.7 MPa
Set pressure range (when OFF)	0.1 to 0.4 MPa
Hysteresis	0.08 MPa or less

Switch Characteristics

Contact point configuration	1a
Maximum contact point capacity	2 VA(AC), 2 W(DC)
Operating voltage: AC, DC	100 V or less
Maximum operating current	12 V to 24 V AC, DC: 50 mA
	48 V AC, DC: 40 mA
	100 V AC, DC: 20 mA

JIS Symbol



Model Note 1)	Port size	A	B	C	D	E	Applicable model
IS10E-20□01-A	1/8	29.8	66.3	55.3	28	16	AC20□-A
IS10E-20□02-A	1/4						
IS10E-20□03-A	3/8						
IS10E-30□02-A	1/4	31.8	72.8	58.8	30	13	AC25□-A, AC30□-A
IS10E-30□03-A	3/8						
IS10E-30□04-A	1/2						
IS10E-40□02-A	1/4	31.8	78.8	60.8	37	12.5	Note 2) AC40□-A
IS10E-40□03-A	3/8						
IS10E-40□04-A	1/2						
IS10E-40□06-A	3/4						

Note 1) □ in the model numbers indicates a thread type. No indication is necessary for Rc; however, indicate N for NPT, and F for G.

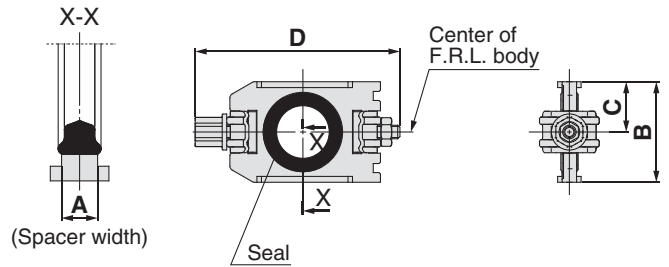
Note 2) Cannot be mounted on the AC40□-06-A.

* Separate interfaces are required for modular unit.

* The pressure switch on the AC40□-06-A can be mounted by screwing IS10-01 into the piping adapter E500-□06-A-X501 (with top-face thread Rc 1/8). Products with a pre-mounted switch are available as a special order. Please contact SMC regarding their availability.

Series AC Accessories (Spacers/Brackets)

Spacer

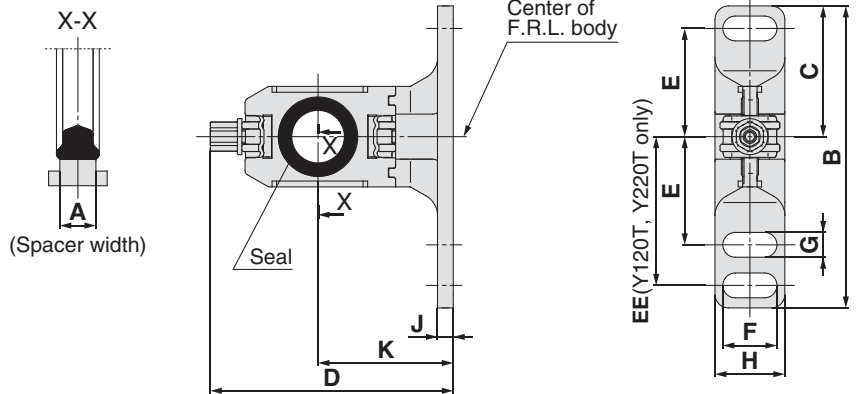


Model	A	B	C	D	Applicable model
Y200-A	3.2	22.4	11.2	44.9	AC20□-A
Y300-A	4.2	34.2	17.1	57.9	AC25□-A, AC30□-A
Y400-A	5.2	42.2	21.1	68.5	AC40□-A
Y500-A	5.2	46.2	23.1	75.6	AC40□-06-A

Replacement Parts

Description	Material	Part no.			
		Y200-A	Y300-A	Y400-A	Y500-A
Seal	HNBR	Y220P-050S	Y320P-050S	Y420P-050S	Y520P-050S

Spacer with Bracket



Model	A	B	C	D	E	EE	F	G	H	J	K	Applicable model
Y200T-A	3.2	67	29	53.4	24	33	12	5.5	15.5	3.5	30	AC20□-A
Y300T-A	4.2	82	41	71.5	35	—	14	7	19	4	41	AC25□-A, AC30□-A
Y400T-A	5.2	96	48	86.1	40	—	18	9	26	5	50	AC40□-A
Y500T-A	5.2	96	48	89.6	40	—	18	9	26	5	50	AC40□-06-A

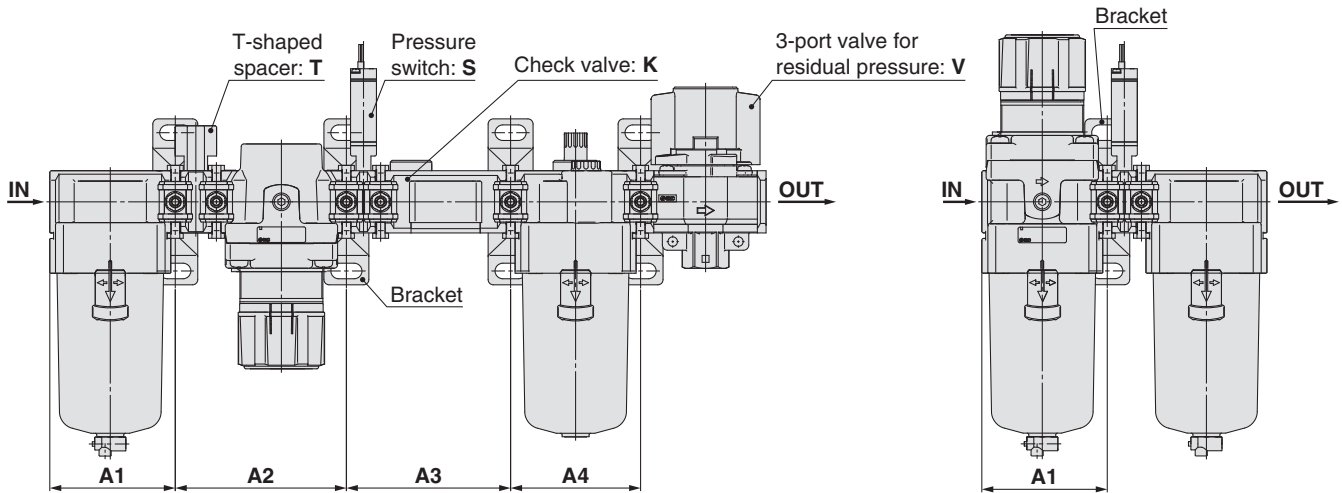
Replacement Parts

Description	Material	Part no.			
		Y200T-A	Y300T-A	Y400T-A	Y500T-A
Seal	HNBR	Y220P-050S	Y320P-050S	Y420P-050S	Y520P-050S

AC
AF+AR+AL
AF+AR
AW+AL
AF+AR
AF+AFM+AR
AF+AFM
Attachment
AF
AFM/AFD
AR
AL
AW

Series AC

Mounting Position for Spacer with Bracket



Attachment	K			S		T		V			KS			KT			KV				KST		
	A1	A2	A3	A1	A2	A1	A2	A1	A2	A3	A1	A2	A3	A1	A2	A3	A1	A2	A3	A4	A1	A2	A3
Model	A1	A2	A3	A1	A2	A1	A2	A1	A2	A3	A1	A2	A3	A1	A2	A3	A1	A2	A3	A4	A1	A2	A3
AC20-A	41.6	43.2	43.2	41.6	43.2	41.6	61	41.6	43.2	43.2	41.6	43.2	57	41.6	61	43.2	41.6	43.2	43.2	43.2	41.6	61	57
AC25-A	55.1	57.2	57.2	55.1	57.2	55.1	76	55.1	57.2	57.2	55.1	57.2	74	55.1	76	57.2	55.1	57.2	57.2	57.2	55.1	76	74
AC30-A	55.1	57.2	57.2	55.1	57.2	55.1	76	55.1	57.2	57.2	55.1	57.2	74	55.1	76	57.2	55.1	57.2	57.2	57.2	55.1	76	74
AC40-A	72.6	75.2	75.2	72.6	75.2	72.6	99	72.6	75.2	75.2	72.6	75.2	95	72.6	99	75.2	72.6	75.2	75.2	75.2	72.6	99	95
AC40-06-A	—	—	—	77.6	80.2	77.6	104	77.6	80.2	80.2	—	—	—	—	—	—	—	—	—	—	—	—	—

Attachment	KSV				KTV				KSTV				ST		SV			STV			TV		
	A1	A2	A3	A4	A1	A2	A3	A4	A1	A2	A3	A4	A1	A2	A1	A2	A3	A1	A2	A3	A1	A2	A3
Model	A1	A2	A3	A4	A1	A2	A3	A4	A1	A2	A3	A4	A1	A2	A1	A2	A3	A1	A2	A3	A1	A2	A3
AC20-A	41.6	43.2	57	43.2	41.6	61	43.2	43.2	41.6	61	57	43.2	41.6	61	41.6	43.2	57	41.6	61	57	41.6	61	43.2
AC25-A	55.1	57.2	74	57.2	55.1	76	57.2	57.2	55.1	76	74	57.2	55.1	76	55.1	57.2	74	55.1	76	74	55.1	76	57.2
AC30-A	55.1	57.2	74	57.2	55.1	76	57.2	57.2	55.1	76	74	57.2	55.1	76	55.1	57.2	74	55.1	76	74	55.1	76	57.2
AC40-A	72.6	75.2	95	75.2	72.6	99	75.2	75.2	72.6	99	95	75.2	72.6	99	72.6	75.2	95	72.6	99	95	72.6	99	75.2
AC40-06-A	—	—	—	—	—	—	—	—	—	—	—	—	—	77.6	104	77.6	80.2	102	77.6	104	102	77.6	104

Attachment	K		S		V		KS		KV			KSV		SV	
	A1	A2	A1	A2	A1	A2	A1	A2	A1	A2	A3	A1	A2	A1	A2
Model	A1	A2	A1	A2	A1	A2	A1	A2	A1	A2	A3	A1	A2	A1	A2
AC20A-A	41.6	43.2	41.6	41.6	43.2	41.6	57	41.6	43.2	43.2	41.6	57	43.2	41.6	57
AC30A-A	55.1	57.2	55.1	55.1	57.2	55.1	74	55.1	57.2	57.2	55.1	74	57.2	55.1	74
AC40A-A	72.6	75.2	72.6	72.6	75.2	72.6	95	72.6	75.2	75.2	72.6	95	75.2	72.6	95
AC40A-06-A	—	—	—	77.6	77.6	80.2	—	—	—	—	—	—	—	—	77.6

Attachment	S		T		V		V1		SV		SV1		TV		TV1	
	A1	A1	A1	A2	A1	A2	A1	A2	A1	A2	A1	A2	A1	A2	A1	A2
Model	A1	A1	A1	A2	A1	A2	A1	A2	A1	A2	A1	A2	A1	A2	A1	A2
AC20B-A	41.6	41.6	41.6	43.2	41.6	43.2	41.6	57	41.6	43.2	41.6	61	41.6	43.2	41.6	43.2
AC25B-A	55.1	55.1	55.1	57.2	55.1	57.2	55.1	74	55.1	57.2	55.1	76	55.1	57.2	55.1	57.2
AC30B-A	55.1	55.1	55.1	57.2	55.1	57.2	55.1	74	55.1	57.2	55.1	76	55.1	57.2	55.1	57.2
AC40B-A	72.6	72.6	72.6	75.2	72.6	75.2	72.6	95	72.6	75.2	72.6	99	72.6	75.2	72.6	75.2
AC40B-06-A	77.6	77.6	77.6	80.2	77.6	80.2	77.6	102	77.6	80.2	77.6	104	77.6	80.2	77.6	80.2

Attachment	S		T		V			V1			SV			SV1			TV			TV1		
	A1	A2	A1	A2	A1	A2	A3	A1	A2	A3	A1	A2	A3	A1	A2	A3	A1	A2	A3	A1	A2	A3
Model	A1	A2	A1	A2	A1	A2	A3	A1	A2	A3	A1	A2	A3	A1	A2	A3	A1	A2	A3	A1	A2	A3
AC20C-A	41.6	43.2	41.6	43.2	41.6	43.2	43.2	41.6	43.2	43.2	41.6	43.2	57	41.6	43.2	43.2	41.6	43.2	61	41.6	43.2	43.2
AC25C-A	55.1	57.2	55.1	57.2	55.1	57.2	57.2	55.1	57.2	57.2	55.1	57.2	74	55.1	57.2	57.2	55.1	57.2	76	55.1	57.2	57.2
AC30C-A	55.1	57.2	55.1	57.2	55.1	57.2	57.2	55.1	57.2	57.2	55.1	57.2	74	55.1	57.2	57.2	55.1	57.2	76	55.1	57.2	57.2
AC40C-A	72.6	75.2	72.6	75.2	72.6	75.2	75.2	72.6	75.2	75.2	72.6	75.2	95	72.6	75.2	75.2	72.6	75.2	99	72.6	75.2	75.2
AC40C-06-A	77.6	80.2	77.6	80.2	77.6	80.2	80.2	77.6	80.2	80.2	77.6	80.2	102	77.6	80.2	80.2	77.6	80.2	104	77.6	80.2	80.2

Attachment	S		V		V1		SV		SV1	
	A1	A1	A2	A1	A2	A1	A2	A1	A2	
Model	A1	A1	A2	A1	A2	A1	A2	A1	A2	
AC20D-A	41.6	41.6	43.2	41.6	43.2	41.6	57	41.6	43.2	
AC30D-A	55.1	55.1	57.2	55.1	57.2	55.1	74	55.1	57.2	
AC40D-A	72.6	72.6	75.2	72.6	75.2	72.6	95	72.6	75.2	
AC40D-06-A	77.6	77.6	80.2	77.6	80.2	77.6	102	77.6	80.2	

A1: Dimensions from the end of the IN side to the center of the mounting hole for the first bracket.




A2: Mounting hole pitch between the first and the second brackets.

A3: Mounting hole pitch between the second and the third brackets.

A4: Mounting hole pitch between the third and the fourth brackets.

Modular Type Air Filters

Series *AF/AFM/AFD*

Air Filter Series AF	Model	Port size	Filtration μm	Options
 <p>P.29 to 35</p>	AF20-A	1/8, 1/4	5	Bracket Float type auto drain
	AF30-A	1/4, 3/8		
	AF40-A	1/4, 3/8, 1/2		
	AF40-06-A	3/4		
 <p>P.37 to 42</p>	AFM20-A	1/8, 1/4	0.3	Bracket Float type auto drain
	AFM30-A	1/4, 3/8		
	AFM40-A	1/4, 3/8, 1/2		
	AFM40-06-A	3/4		
 <p>P.37 to 42</p>	AFD20-A	1/8, 1/4	0.01	Bracket Float type auto drain
	AFD30-A	1/4, 3/8		
	AFD40-A	1/4, 3/8, 1/2		
	AFD40-06-A	3/4		

AC

AF+AR+AL

AW+AL

AF+AR

AF+AFM+AR

AW+AFM

Attachment

AF

AFM / AFD

AR

AL

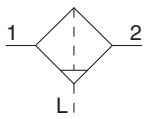
AW

Air Filter

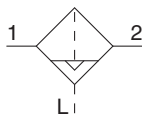
AF20-A to AF40-A

JIS Symbol

Air Filter



Air Filter with Auto Drain



AF20-A



AF40-A

How to Order

AF **30** - **03** **BD** - **—** -A

① ② ③ ④ ⑤

• Option/Semi-standard: Select one each for a to f.
 • Option/Semi-standard symbol: When more than one specification is required, indicate in alphanumeric order.
 Example) AF30-03BD-CR-A

	Symbol	Description	①				
			Body size				
			20	30	40		
②	—	Rc	●	●	●		
	N <small>Note 1)</small>	NPT	●	●	●		
	F <small>Note 2)</small>	G	●	●	●		
+							
③	01	1/8	●	—	—		
	02	1/4	●	●	●		
	03	3/8	—	●	●		
	04	1/2	—	—	●		
	06	3/4	—	—	●		
+							
④	a	Mounting	—	Without mounting option	●	●	●
			B <small>Note 3)</small>	With bracket	●	●	●
+							
④	b	Float type auto drain	—	Without auto drain	●	●	●
			C <small>Note 4)</small>	N.C. (Normal close) Drain port is closed when pressure is not applied.	●	●	●
			D <small>Note 5)</small>	N.O. (Normal open) Drain port is open when pressure is not applied.	—	●	●
+							
⑤	c	Bowl <small>Note 6)</small>	—	Polycarbonate bowl	●	●	●
			C	With bowl guard	●	— <small>Note 7)</small>	— <small>Note 7)</small>
	+						
	d	Drain port	—	With drain cock	●	●	●
			J <small>Note 8)</small>	Drain guide 1/8	●	—	—
W			Drain cock with barb fitting (for ø6 x ø4 nylon tube)	—	●	●	
+							
e	Flow direction	—	Flow direction: Left to right	●	●	●	
		R	Flow direction: Right to left	●	●	●	
+							
f	Pressure unit	—	Name plate and caution plate for bowl in imperial units: MPa	●	●	●	
		Z <small>Note 9)</small>	Name plate and caution plate for bowl in imperial units: psi, °F	○ <small>Note 10)</small>	○ <small>Note 10)</small>	○ <small>Note 10)</small>	

Note 1) Drain guide is NPT1/8 (applicable to the AF20-A) and NPT1/4 (applicable to the AF30-A to AF40-A).

The auto drain port comes with ø3/8" One-touch fitting (applicable to the AF30-A to AF40-A).

Note 2) Drain guide is G1/8 (applicable to the AF20-A) and G1/4 (applicable to the AF30-A to AF40-A).

Note 3) A bracket is not assembled and supplied loose at the time of shipment. Including 2 mounting screws.

Note 4) When pressure is not applied, condensate which does not start the auto drain mechanism will be left in the bowl. Releasing the residual condensate before ending operations for the day is recommended.

Note 5) If the compressor is small (0.75 kW, discharge flow is less than 100 L/min[ANR]), air leakage from the drain cock may occur during start of operations. N.C. type is recommended.

Note 6) Refer to Chemical data on page 32 for chemical resistance of the bowl.

Note 7) Standard material (polycarbonate)

Note 8) Without a valve function.

Note 9) For thread type: NPT.

Note 10) ○: For thread type: NPT only

Air Filter *Series AF20-A to AF40-A*

Standard Specifications

Model	AF20-A	AF30-A	AF40-A	AF40-06-A
Port size	1/8, 1/4	1/4, 3/8	1/4, 3/8, 1/2	3/4
Fluid	Air			
Ambient and fluid temperature	-5 to 60°C (with no freezing)			
Proof pressure	1.5 MPa			
Maximum operating pressure	1.0 MPa			
Nominal filtration rating	5 μm			
Drain capacity [cm ³]	8	25	45	
Bowl material	Polycarbonate			
Bowl guard	Semi-standard (Steel)		Standard (Polycarbonate)	
Weight [kg]	0.08	0.18	0.36	0.41

Options/Part No.

Optional specifications	Model			
	AF20-A	AF30-A	AF40-A	AF40-06-A
Bracket assembly ^{Note 1)}	AF22P-050AS	AF32P-050AS	AF42P-050AS	AF42P-070AS
Float type auto drain ^{Note 2) Note 3)}	N.C.	AD27-A	AD37-A	AD47-A
	N.O.	—	AD38-A	AD48-A

Semi-standard/Bowl Assembly Part No.

Semi-standard specifications					Model				
Bowl material	Note 2) Note 3) Float type auto drain		Note 3) With drain guide	With barb fitting	With bowl guard	AF20-A	AF30-A	AF40-A	AF40-06-A
	N.C.	N.O.							
Polycarbonate bowl	—	—	—	—	●	C2SF-C-A	—	—	—
	●	—	—	—	●	AD27-C-A	—	—	—
	—	—	●	—	—	C2SF-J-A	C3SF-J-A	C4SF-J-A	
	—	—	—	●	—	—	C3SF-W-A	C4SF-W-A	
	—	—	●	—	●	C2SF-CJ-A	—	—	—

Note 1) Assembly of a bracket and 2 mounting screws.

Note 2) Minimum operating pressure: N.O. type—0.1 MPa; N.C. type—0.1 MPa (AD27-A) and 0.15 MPa (AD37-A/47-A).

Please consult with SMC separately for psi and °F unit display specifications.

Note 3) Please consult with SMC for details on drain piping to fit NPT or G port sizes.

Note) Bowl assembly for the AF20-A to AF40-A models comes with a bowl O-ring.

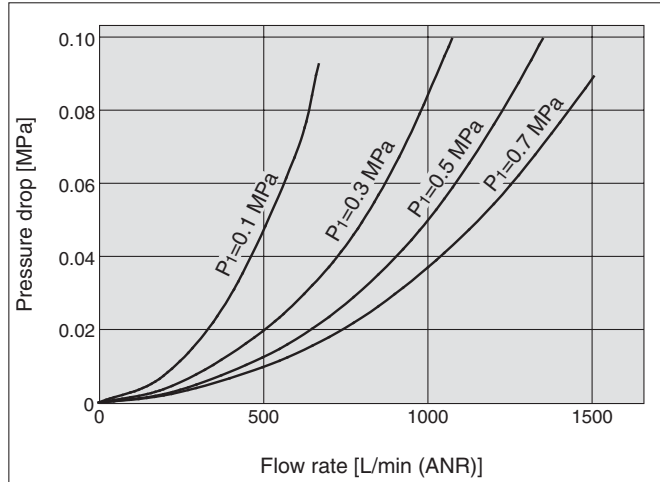
AC
 AF+AR+AL
 AW+AL
 AF+AR
 AF+AFM+AR
 AW+AFM
 Attachment
 AF
 AFM / AFD
 AR
 AL
 AW

Series AF20-A to AF40-A

Flow Characteristics (Representative values)

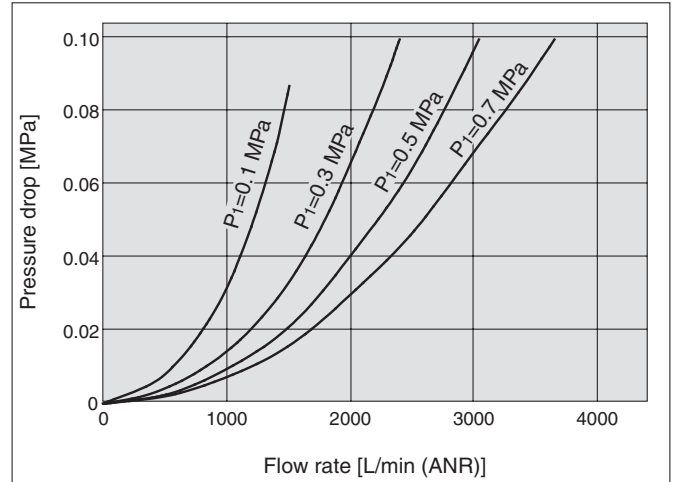
AF20-A

Rc1/4



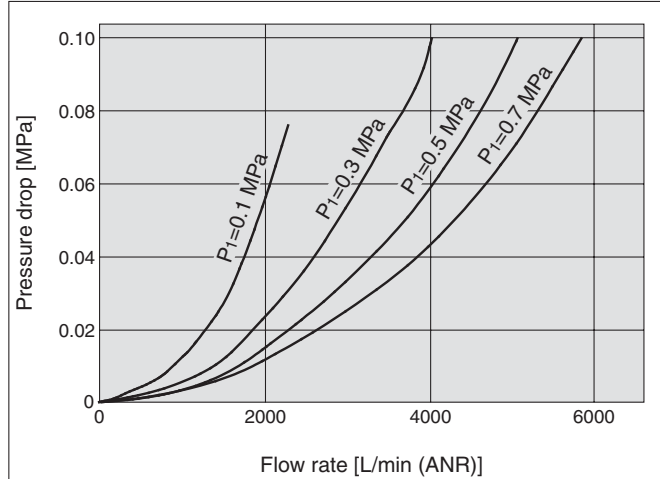
AF30-A

Rc3/8



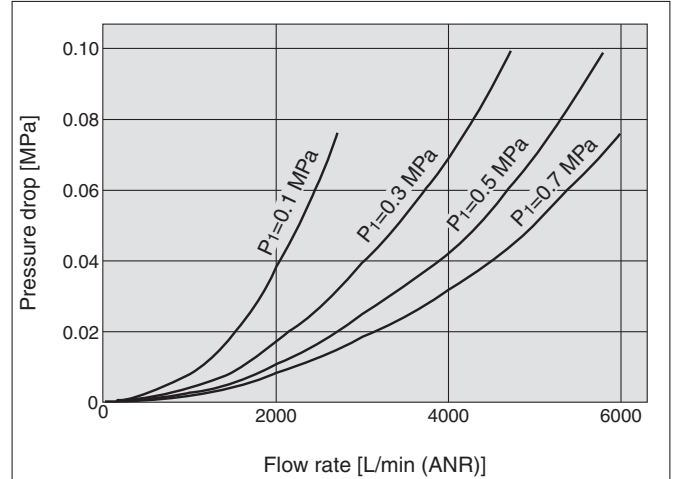
AF40-A

Rc1/2



AF40-06-A

Rc3/4



⚠ Specific Product Precautions

Be sure to read before handling. Refer to back cover for Safety Instructions, "Handling Precautions for SMC Products" (M-E03-3) and the Operation Manual for F.R.L. Precautions.

Design / Selection

⚠ Warning

- The standard bowl for the air filter, filter regulator, and lubricator, as well as the sight dome for the lubricator and bowl guard are made of polycarbonate. Do not use in an environment where they are exposed to or come in contact with organic solvents, chemicals, cutting oil, synthetic oil, alkali, and thread lock solutions.

Effects of atmosphere of organic solvents and chemicals, and where these elements are likely to adhere to the equipment.

Chemical data for substances causing degradation (Reference)

Type	Chemical name	Application examples	Material
			Polycarbonate
Acid	Hydrochloric acid Sulfuric acid, Phosphoric acid Chromic acid	Acid washing liquid for metals	△
Alkaline	Sodium hydroxide (Caustic soda) Potash Calcium hydroxide (Slack lime) Ammonia water Carbonate of soda	Degreasing of metals Industrial salts Water-soluble cutting oil	×
Inorganic salts	Sodium sulfide Sulfate of potash Sulfate of soda	—	×
Chlorine solvents	Carbon tetrachloride Chloroform Ethylene chloride Methylene chloride	Cleansing liquid for metals Printing ink Dilution	×
Aromatic series	Benzene Toluene Paint thinner	Coatings Dry cleaning	×
Ketone	Acetone Methyl ethyl ketone Cyclohexane	Photographic film Dry cleaning Textile industries	×
Alcohol	Ethyl alcohol IPA Methyl alcohol	Antifreeze Adhesives	△
Oil	Gasoline Kerosene	—	×
Ester	Phthalic acid dimethyl Phthalic acid dimethyl Acetic acid	Synthetic oil Anti-rust additives	×
Ether	Methyl ether Ethyl ether	Brake oil additives	×
Amino	Methyl amino	Cutting oil Brake oil additives Rubber accelerator	×
Other	Thread-lock fluid Seawater Leak tester	—	×

△ : Some effects may occur × : Effects will occur

Maintenance

⚠ Warning

- Replace the element every 2 years or when the pressure drop becomes 0.1 MPa, whichever comes first, to prevent damage to the element.

Mounting and Adjustment

⚠ Caution

- When the bowl is installed on the air filter, install them so that the lock button lines up to the groove of the front (or the back) of the body to avoid drop or damage of the bowl.



AC

AF+AR+AL

AW+AL

AF+AR

AF+AFM+AR

AW+AFM

Attachment

AF

AFM / AFD

AR

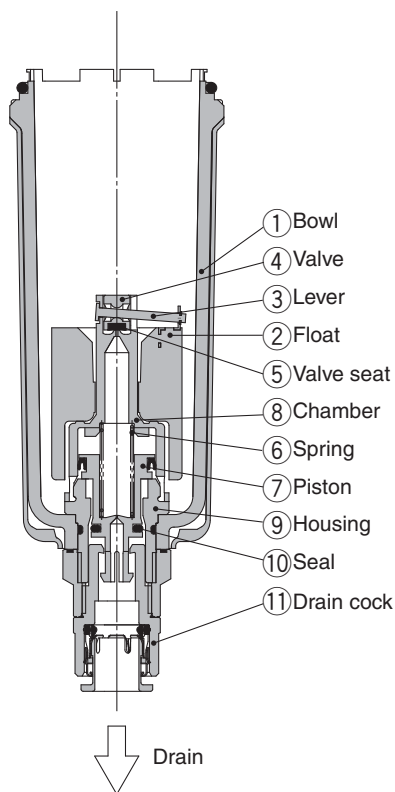
AL

AW

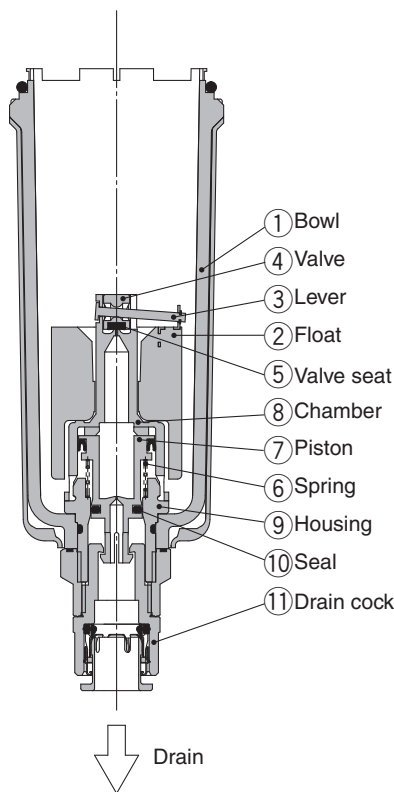
Series AF20-A to AF40-A

Working Principle: Float Type Auto Drain

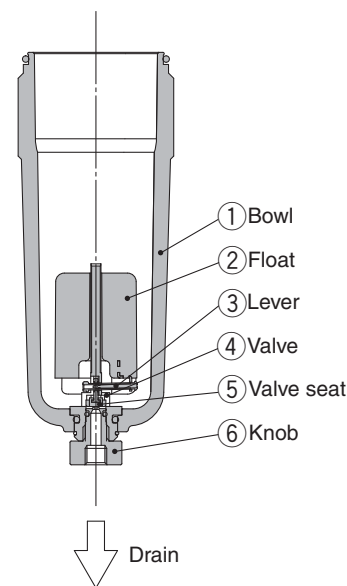
N.O.type: AD38-A, AD48-A



N.C.type: AD37-A, AD47-A



Compact auto drain N.C. type: AD27-A



- **When pressure inside the bowl is released:**

When pressure is released from the bowl ①, piston ⑦ is lowered by spring ⑥. The sealing action of seal ⑩ is interrupted, and the outside air flows inside the bowl ① through housing hole ⑨ and drain cock ⑪. Therefore, if there is an accumulation of condensate in the bowl ①, it will drain out through the drain cock.

- **When pressure is applied inside the bowl:**

When pressure exceeds 0.1 MPa, the force of piston ⑦ surpasses the force of spring ⑥, and the piston goes up. This pushes seal ⑩ up so that it creates a seal, and the inside of the bowl ①, is shut off from the outside air. If there is no accumulation of condensate in the bowl ① at this time, float ② will be pulled down by its own weight, causing valve ④, which is connected to lever ③, to seal valve seat ⑤.

- **When there is an accumulation of condensate in the bowl:**

Float ② rises due to its own buoyancy and pushes open the seal created by the valve seat ⑤. This allows the pressure inside the bowl ① to enter the chamber ⑧. The result is that the combined pressure inside chamber ⑧ and the force of the spring ⑥ lowers the piston ⑦. This causes the sealing action of seal ⑩ to be interrupted, and the accumulated condensate in the bowl ① drains out through the drain cock ⑪. Turning drain cock ⑪ manually counterclockwise lowers piston ⑦, which pushes open the seal created by seal ⑩, thus allowing the condensate to drain out.

- **When pressure inside the bowl is released:**

Even when pressure inside the bowl ① is released, spring ⑥ keeps piston ⑦ in its upward position. This keeps the seal created by the seal ⑩ in place; thus, the inside of the bowl ① is shut off from the outside air. Therefore, even if there is an accumulation of condensate in the bowl ①, it will not drain out.

- **When pressure is applied inside the bowl:**

Even when pressure is applied inside the bowl ①, the combined force of spring ⑥ and the pressure inside the bowl ① keeps piston ⑦ in its upward position. This maintains the seal created by the seal ⑩ in place; thus, the inside of the bowl ① is shut off from the outside air. If there is no accumulation of condensate in the bowl ① at this time float ② will be pulled down by its own weight, causing valve ④, which is connected to lever ③, to seal valve seat ⑤.

- **When there is an accumulation of condensate in the bowl:**

Float ② rises due to its own buoyancy and pushes open the seal created by the valve seat ⑤. Pressure passes from the bowl ① to chamber ⑧. The result is that the pressure inside chamber ⑧ surpasses the force of the spring ⑥ and pushes piston ⑦ downwards. This causes the sealing action of seal ⑩ to be interrupted and the accumulated condensate in the bowl ① drains out through the drain cock ⑪. Turning drain cock ⑪ manually counterclockwise lowers piston ⑦, which pushes open the seal created by seal ⑩, thus allowing the condensate to drain out.

- **When pressure inside the bowl is released:**

Even when pressure inside the bowl ① is released, the weight of the float ② causes valve ④, which is connected to lever ③, to seal valve seat ⑤. As a result, the inside of the bowl ① is shut off from the outside air. Therefore, even if there is an accumulation of condensate in the bowl ①, it will not drain out.

- **When pressure is applied inside the bowl:**

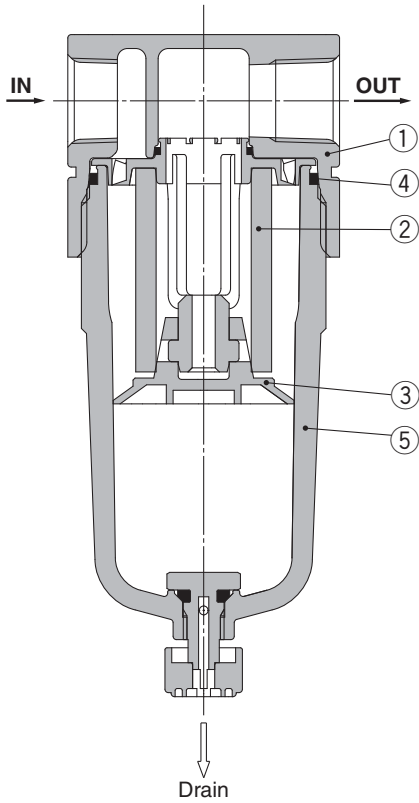
Even when pressure is applied inside the bowl ①, the weight of the float ② and the differential pressure that is applied to valve ④ cause valve ④ to seal valve seat ⑤, and the outside air is shut off from the inside of the bowl ①.

- **When the drain is accumulated in the bowl:**

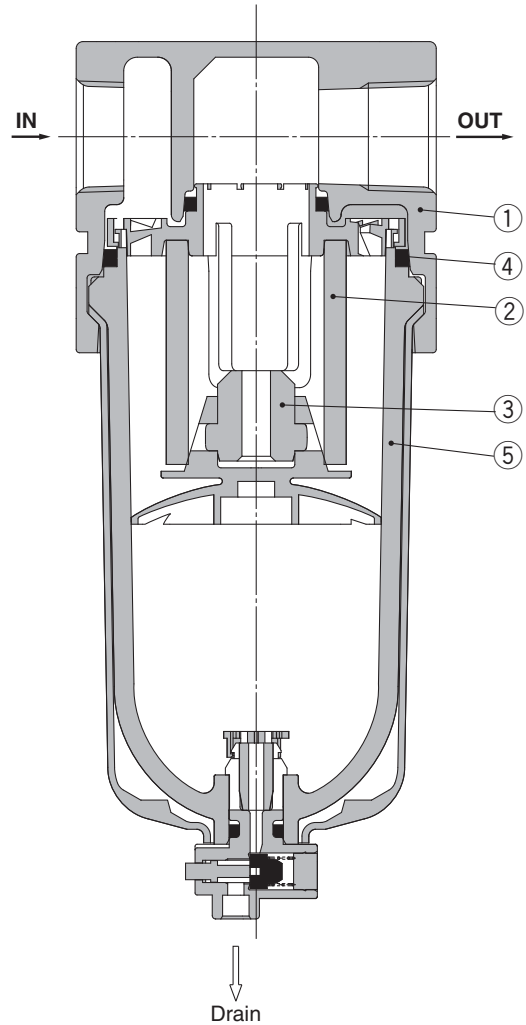
Float ② rises due to its own buoyancy and the seal at valve seat ⑤ is interrupted. The condensate inside the bowl ① drains out through the knob ⑥. Turning knob ⑥ manually counterclockwise lowers it and causes the sealing action of valve seat ⑤ to be interrupted, which allows the condensate to drain out.

Construction

AF20-A



AF30-A to AF40-06-A



Component Parts

No.	Description	Material	Colour
1	Body	Aluminium die-cast	White

Replacement Parts

No.	Description	Material	Part no.			
			AF20-A	AF30-A	AF40-A	AF40-06-A
2	Filter element	Non-woven fabric	AF20P-060S	AF30P-060S	AF40P-060S	
3	Baffle	PBT	AF22P-040S	AF32P-040S	AF42P-040S	
4	Bowl O-ring	NBR	C2SFP-260S	C32FP-260S	C42FP-260S	
5	Bowl assembly <small>Note)</small>	Polycarbonate	C2SF-A	C3SF-A	C4SF-A	

Note) Bowl O-ring is included. Please contact SMC regarding the bowl assembly supply for psi and °F unit specifications.

AC

AF+AR+AL

AW+AL

AF+AR

AF+AFM+AR

AW+AFM

Attachment

AF

AFM / AFD

AR

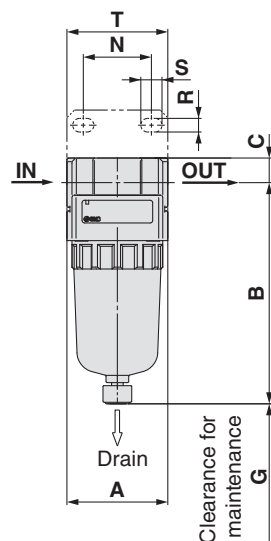
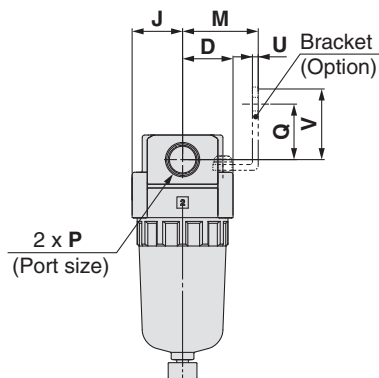
AL

AW

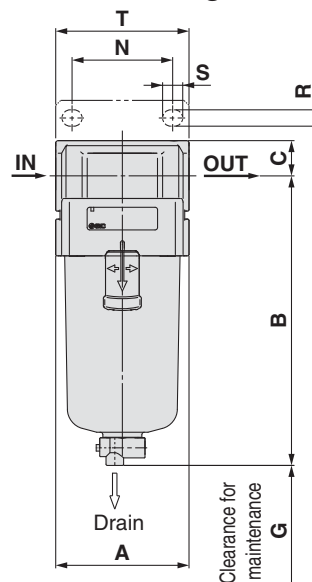
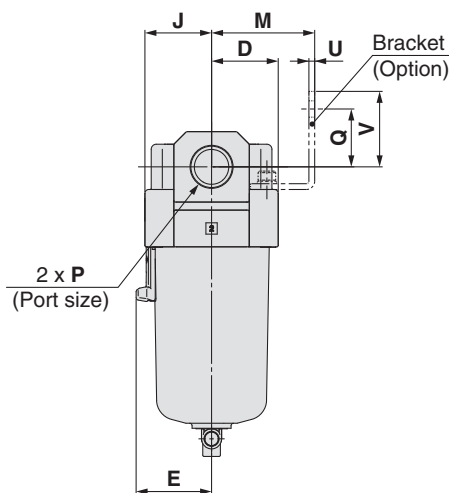
Series AF20-A to AF40-A

Dimensions

AF20-A



AF30-A to AF40-06-A



Applicable model	AF20-A				AF30-A to AF40-06-A				
Optional/Semi-standard specifications	With auto drain (N.C.)	With drain guide	With auto drain (N.O./N.C.)	With drain guide	Drain cock with barb fitting				
Dimensions	 M5 x 0.8	 Width across flats 14 1/8	 N.O.: Black N.C.: Grey	 Width across flats 17 1/4	 Barb fitting Applicable tubing: T0604				
			Thread type/Rc, G: $\phi 10$ One-touch fitting Thread type/NPT: $\phi 3/8$ " One-touch fitting						

Model	Standard specifications								Optional specifications								
	P	A	B	C	D	E	G	J	M	N	Q	R	S	T	U	V	With auto drain B
AF20-A	1/8, 1/4	40	87.6	9.8	20	—	25	20	30	27	22	5.4	8.4	40	2.3	28	104.9
AF30-A	1/4, 3/8	53	115.1	14	26.7	30	35	26.7	41	40	23	6.5	8	53	2.3	30	156.8
AF40-A	1/4, 3/8, 1/2	70	147.1	18	35.5	38.4	40	35.5	50	54	26	8.5	10.5	70	2.3	35	186.9
AF40-06-A	3/4	75	149.1	20	35.5	38.4	40	35.5	50	54	25	8.5	10.5	70	2.3	34	188.9

Model	Semi-standard specifications	
	With barb fitting B	With drain guide B
AF20-A	—	91.4
AF30-A	123.6	121.9
AF40-A	155.6	153.9
AF40-06-A	157.6	155.9

AW	AL	AR	AFM / AFD	AF	Attachment	AW+AFM	AF+AFM+AR	AF+AR	AW+AL	AF+AR+AL	AC
----	----	----	-----------	-----------	------------	--------	-----------	-------	-------	----------	----

Mist Separator

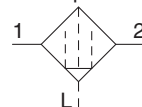
AFM20-A to AFM40-A

Micro Mist Separator

AFD20-A to AFD40-A

JIS Symbol

Mist Separator

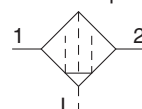


AFM20-A



AFM40-A

Micro Mist Separator



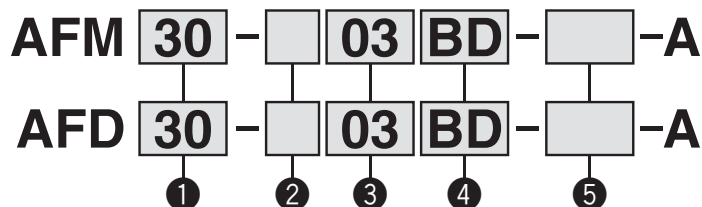
AFD20-A



AFD40-A

- Series AFM Nominal filtration rating: 0.3 μm
- Series AFD Nominal filtration rating: 0.01 μm

How to Order



- Option/Semi-standard: Select one each for a to f.
- Option/Semi-standard symbol: When more than one specification is required, indicate in alphanumeric order.
Example) AFM30-03BD-CR-A

		Symbol	Description	①			
				Body size			
				20	30	40	
②	Thread type	—	Rc	●	●	●	
		N <small>Note 1)</small>	NPT	●	●	●	
		F <small>Note 2)</small>	G	●	●	●	
+							
③	Port size	01	1/8	●	—	—	
		02	1/4	●	●	●	
		03	3/8	—	●	●	
		04	1/2	—	—	●	
		06	3/4	—	—	●	
+							
④	a	Mounting	—	Without mounting option	●	●	●
			B <small>Note 3)</small>	With bracket	●	●	●
	+						
	b	Float type auto drain	—	Without auto drain	●	●	●
C <small>Note 4)</small>			N.C. (Normal close) Drain port is closed when pressure is not applied.	●	●	●	
D <small>Note 5)</small>			N.O. (Normal open) Drain port is open when pressure is not applied.	—	●	●	
+							
⑤	c	Bowl <small>Note 6)</small>	—	Polycarbonate bowl	●	●	●
			C	With bowl guard	●	— <small>Note 7)</small>	— <small>Note 7)</small>
	+						
	d	Drain port	—	With drain cock	●	●	●
			J <small>Note 8)</small>	Drain guide 1/8	●	—	—
				Drain guide 1/4	—	●	●
			W	Drain cock with barb fitting (for ø6 x ø4 nylon tube)	—	●	●
	+						
	e	Flow direction	—	Flow direction: Left to right	●	●	●
			R	Flow direction: Right to left	●	●	●
+							
f	Pressure unit	—	Name plate and caution plate for bowl in imperial units: MPa	●	●	●	
		Z <small>Note 9)</small>	Name plate and caution plate for bowl in imperial units: psi, °F	○ <small>Note 10)</small>	○ <small>Note 10)</small>	○ <small>Note 10)</small>	

Note 1) Drain guide is NPT1/8 (applicable to the AFM20-A, AFD20-A) and NPT1/4 (applicable to the AFM30-A/40-A, AFD30-A/40-A).

The auto drain port comes with ø3/8" One-touch fitting (applicable to the AFM30-A/40-A, AFD30-A/40-A).

Note 2) Drain guide is G1/8 (applicable to the AFM20-A, AFD20-A) and G1/4 (applicable to the AFM30-A/40-A, AFD30-A/40-A).

Note 3) A bracket is not assembled and supplied loose at the time of shipment. Including 2 mounting screws

Note 4) When pressure is not applied, condensate which does not start the auto drain mechanism will be left in the bowl. Releasing the residual condensate before ending operations for the day is recommended.

Note 5) If the compressor is small (0.75 kW, discharge flow is less than 100 L/min[ANR]), air leakage from the drain cock may occur during start of operations. N.C. type is recommended.

Note 6) Refer to Chemical data on page 40 for chemical resistance of the bowl.

Note 7) Standard material (polycarbonate)

Note 8) Without a valve function.

Note 9) For thread type: NPT.

Note 10) ○: For thread type: NPT only

Mist Separator *Series AFM20-A to AFM40-A*

Micro Mist Separator *Series AFD20-A to AFD40-A*

Standard Specifications

Model		AFM20-A AFD20-A	AFM30-A AFD30-A	AFM40-A AFD40-A	AFM40-06-A AFD40-06-A
Port size		1/8, 1/4	1/4, 3/8	1/4, 3/8, 1/2	3/4
Fluid		Air			
Ambient and fluid temperature		- 5 to 60°C (with no freezing)			
Proof pressure		1.5 MPa			
Maximum operating pressure		1.0 MPa			
Minimum operating pressure		0.05 MPa			
Nominal filtration rating	AFM20-A to AFM40-06-A	0.3 μm (99.9% filtered particle size)			
	AFD20-A to AFD40-06-A	0.01 μm (99.9% filtered particle size)			
Outlet side oil mist concentration	AFM20-A to AFM40-06-A	MAX 1.0 mg/m ³ (ANR) (≈0.8 ppm) ^{Note 2) Note 3)}			
	AFD20-A to AFD40-06-A	MAX 0.1 mg/m ³ (ANR) (Before saturated with oil 0.01 mg/m ³ (ANR) or less ≈ 0.008 ppm) ^{Note 2) Note 3)}			
Rated flow [L/min (ANR)] ^{Note 1)}	AFM20-A to AFM40-06-A	200	450	1100	
	AFD20-A to AFD40-06-A	120	240	600	
Drain capacity [cm ³]		8	25	45	
Bowl material		Polycarbonate			
Bowl guard		Semi-standard (Steel)	Standard (Polycarbonate)		
Weight [kg]		0.09	0.19	0.38	0.43

Note 1) Conditions: Inlet pressure: 0.7 MPa; The rated flow varies depending on the inlet pressure. Keep the air flow within the rated flow to prevent an outflow of lubricant to the outlet side.

Note 2) When the compressor oil mist discharge concentration is 30 mg/m³ (ANR).

Note 3) Bowl O-ring and other O-rings are slightly lubricated.

Options/Part No.

Optional specifications		Model			
		AFM20-A AFD20-A	AFM30-A AFD30-A	AFM40-A AFD40-A	AFM40-06-A AFD40-06-A
Bracket assembly ^{Note 1)}		AF22P-050AS	AF32P-050AS	AF42P-050AS	AF42P-070AS
Float type auto drain ^{Note 2) Note 3)}	N. C.	AD27-A	AD37-A	AD47-A	
	N. O.	—	AD38-A	AD48-A	

Semi-standard/Bowl Assembly Part No.

Semi-standard specifications					Model				
Bowl material	^{Note 2) Note 3)} Float type auto drain		^{Note 3)} With drain guide	With barb fitting	With bowl guard	AFM20-A AFD20-A	AFM30-A AFD30-A	AFM40-A AFD40-A	AFM40-06-A AFD40-06-A
	N. C.	N. O.							
Polycarbonate	—	—	—	—	●	C2SF-C-A	—	—	
	●	—	—	—	●	AD27-C-A	—	—	
	—	—	●	—	—	C2SF-J-A	C3SF-J-A	C4SF-J-A	
	—	—	—	●	—	—	C3SF-W-A	C4SF-W-A	
	—	—	●	—	●	C2SF-CJ-A	—	—	

Note 1) Assembly of a bracket and 2 mounting screws.

Note 2) Minimum operating pressure: N.O. type—0.1 MPa; N.C. type—0.1 MPa (AD27-A) and 0.15 MPa (AD37-A/47-A).

Please consult with SMC separately for psi and °F unit display specifications.

Note 3) Please consult with SMC for details on drain piping to fit NPT or G port sizes.

Note 4) The bowl assembly includes the bowl O-ring.

AC
 AF+AR+AL
 AW+AL
 AW+AR
 AF+AR
 AF+AFM+AR
 AW+AFM
 Attachment
 AF
 AFM / AFD
 AR
 AL
 AW

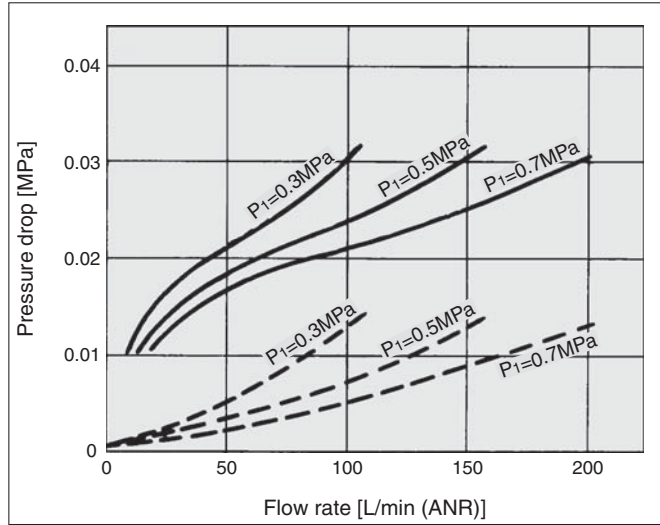
Series AFM20-A to AFM40-A

Series AFD20-A to AFD40-A

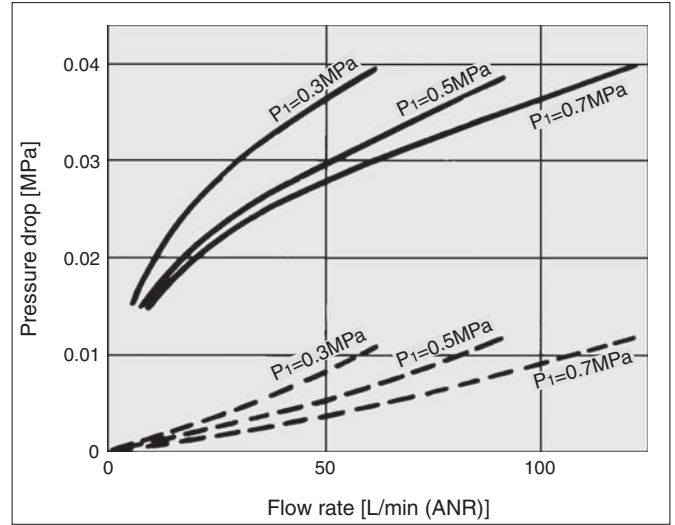
Flow Characteristics (Representative values)

— When saturated with oil
 - - - Initial state

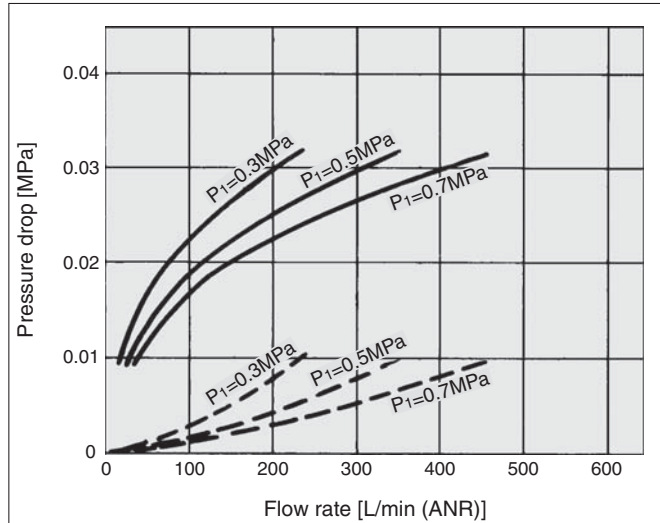
AFM20-A



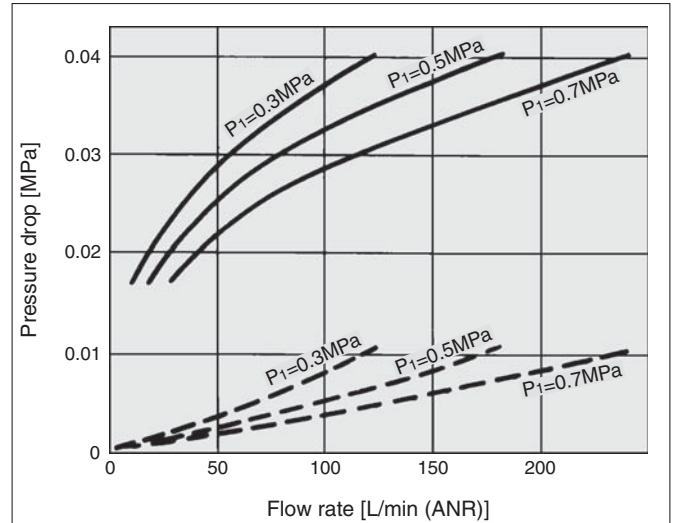
AFD20-A



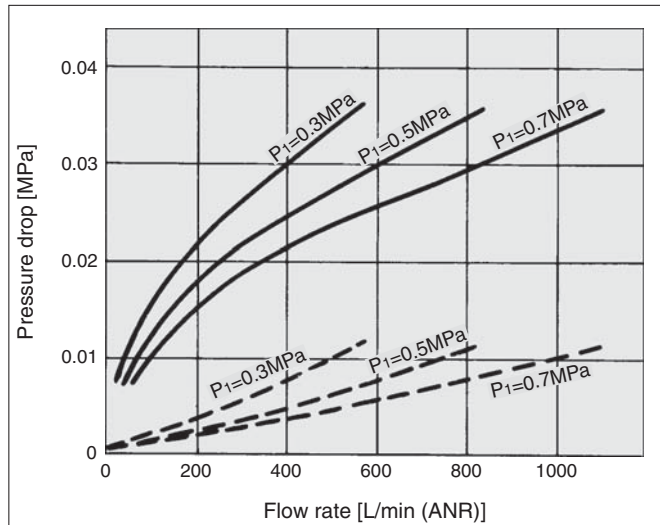
AFM30-A



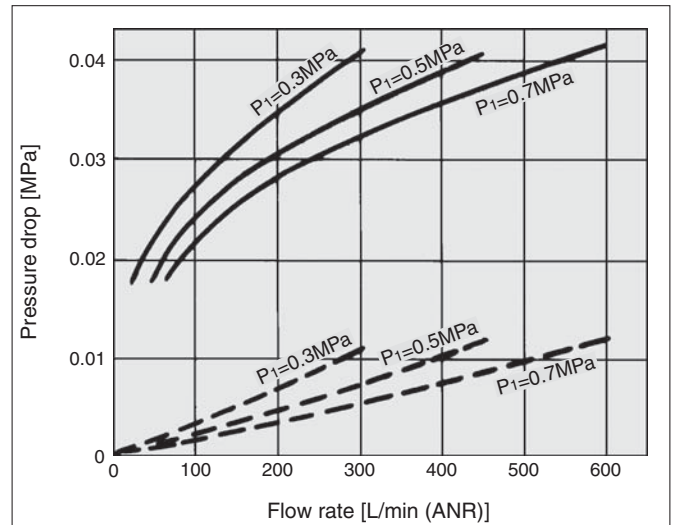
AFD30-A



AFM40-A



AFD40-A



⚠ Specific Product Precautions

Be sure to read before handling. Refer to back cover for Safety Instructions, "Handling Precautions for SMC Products" (M-E03-3) and the Operation Manual for F.R.L. Precautions.

Design / Selection

⚠ Warning

1. The standard bowl for the air filter, filter regulator, and lubricator, as well as the sight dome for the lubricator and bowl guard are made of polycarbonate. Do not use in an environment where they are exposed to or come in contact with organic solvents, chemicals, cutting oil, synthetic oil, alkali, and thread lock solutions.

Effects of atmosphere of organic solvents and chemicals, and where these elements are likely to adhere to the equipment.

Chemical data for substances causing degradation (Reference)

Type	Chemical name	Application examples	Material
			Polycarbonate
Acid	Hydrochloric acid Sulfuric acid, Phosphoric acid Chromic acid	Acid washing liquid for metals	△
Alkaline	Sodium hydroxide (Caustic soda) Potash Calcium hydroxide (Slack lime) Ammonia water Carbonate of soda	Degreasing of metals Industrial salts Water-soluble cutting oil	×
Inorganic salts	Sodium sulfide Sulfate of potash Sulfate of soda	—	×
Chlorine solvents	Carbon tetrachloride Chloroform Ethylene chloride Methylene chloride	Cleansing liquid for metals Printing ink Dilution	×
Aromatic series	Benzene Toluene Paint thinner	Coatings Dry cleaning	×
Ketone	Acetone Methyl ethyl ketone Cyclohexane	Photographic film Dry cleaning Textile industries	×
Alcohol	Ethyl alcohol IPA Methyl alcohol	Antifreeze Adhesives	△
Oil	Gasoline Kerosene	—	×
Ester	Phthalic acid dimethyl Phthalic acid dimethyl Acetic acid	Synthetic oil Anti-rust additives	×
Ether	Methyl ether Ethyl ether	Brake oil additives	×
Amino	Methyl amino	Cutting oil Brake oil additives Rubber accelerator	×
Other	Thread-lock fluid Seawater Leak tester	—	×

△: Some effects may occur ×: Effects will occur

Air Supply

⚠ Caution

1. Install an air filter (Series AF) as a pre-filter on the inlet side of the mist separator to prevent premature clogging.
2. Install a mist separator (Series AFM) as a pre-filter on the inlet side of the micro mist separator to prevent premature clogging.
3. Do not install on the inlet side of the dryer as this can cause premature clogging of the element.

Maintenance

⚠ Warning

1. Replace the element every 2 years or when the pressure drop becomes 0.1 MPa, whichever comes first, to prevent damage to the element.

Mounting and Adjustment

⚠ Caution

1. When the bowl is installed on the mist separator, or micro mist separator, install them so that the lock button lines up to the groove of the front (or the back) of the body to avoid drop or damage of the bowl.



Design

⚠ Caution

1. Design the system so that the mist separator is installed in a pulsation-free location. The difference between internal and external pressure inside the element should be kept within 0.1 MPa, as exceeding this value could cause damage.

Selection

⚠ Caution

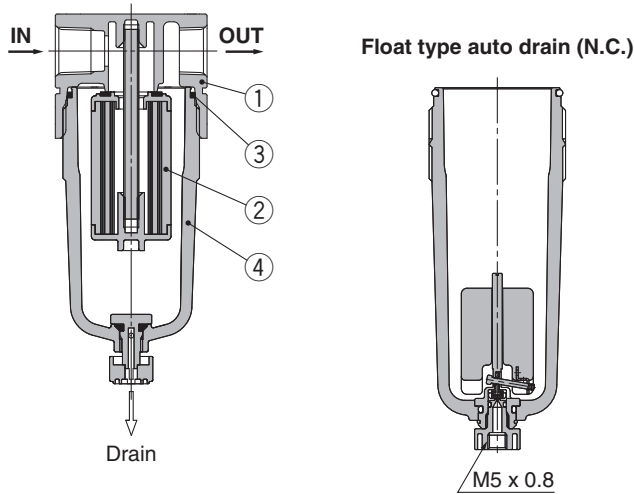
1. Do not allow air flow that exceeds the rated flow. If the air flow is allowed outside the range of the rated flow even momentarily, drainage and lubricant may splash at the outlet side or cause damage to the component.
2. Do not use in a low pressure application (such as a blower). F.R.L. unit has its own minimum operating pressure depending on the equipment and is designed specifically to function with compressed air. If used below the minimum operating pressure, a loss of performance and malfunction can occur. Please contact SMC if an application under such conditions cannot be avoided.

Series AFM20-A to AFM40-A

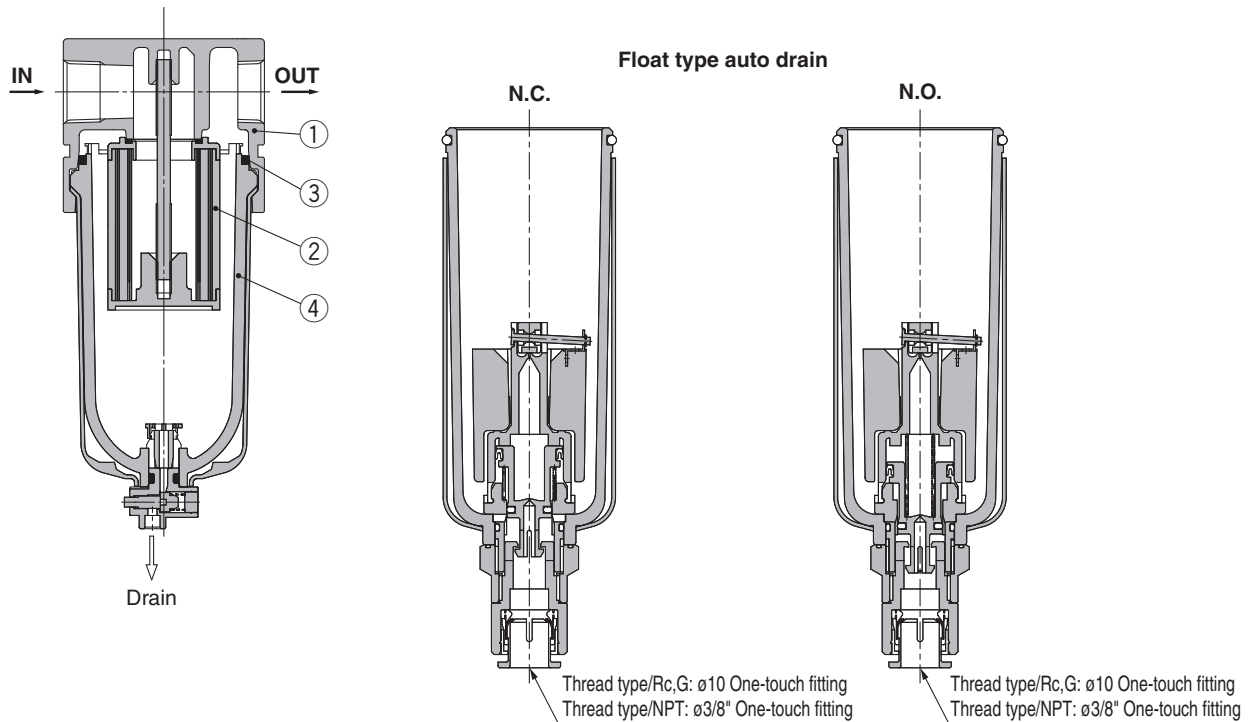
Series AFD20-A to AFD40-A

Construction

AFM20-A
AFD20-A



AFM30-A to AFM40-06-A
AFD30-A to AFD40-06-A



Component Parts

No.	Description	Material	Model	Colour
1	Body	Aluminum die-cast	AFM20-A to AFM40-06-A AFD20-A to AFD40-06-A	White

Replacement Parts

No.	Description	Material	Part no.			
			AFM20-A AFD20-A	AFM30-A AFD30-A	AFM40-A AFD40-A	AFM40-06-A AFD40-06-A
2	Element assembly	AFM20 to 40	AFM20P-060AS	AFM30P-060AS	AFM40P-060AS	
		AFD20 to 40	AFD20P-060AS	AFD30P-060AS	AFD40P-060AS	
3	Bowl seal	NBR	C2SFP-260S	C32FP-260S	C42FP-260S	
4	Bowl assembly ^{Note)}	Polycarbonate	C2SF-A	C3SF-A	C4SF-A	

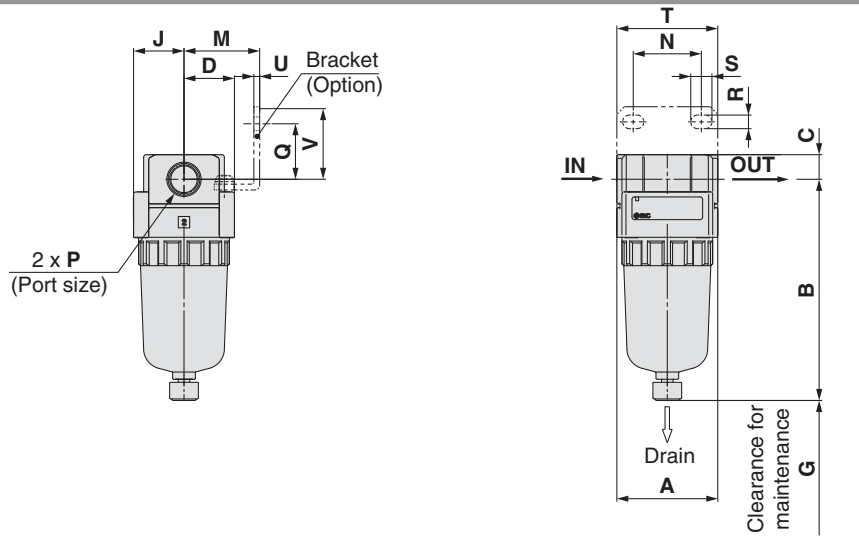
Note) Bowl seal is included. Please contact SMC regarding the bowl assembly supply for psi and °F unit specifications.

Mist Separator *Series AFM20-A to AFM40-A*

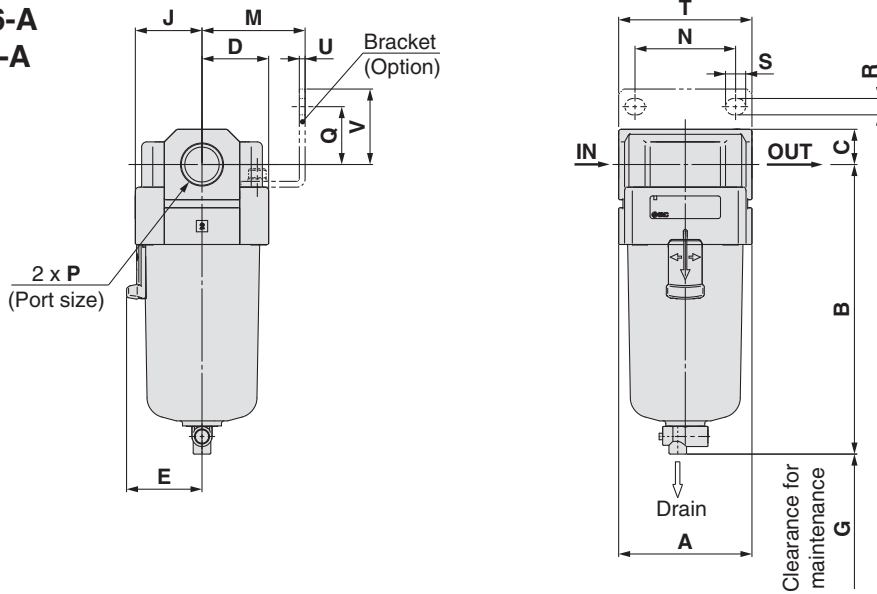
Micro Mist Separator *Series AFD20-A to AFD40-A*

Dimensions

AFM20-A
AFD20-A



AFM30-A to AFM40-06-A
AFD30-A to AFD40-06-A



Applicable model <small>Optional/Semi-standard specifications</small>	AFM20-A/AFD20-A				AFM30-A to AFM40-06-A/AFD30-A to AFD40-06-A					
	With auto drain (N.C.)	With drain guide	With auto drain (N.O./N.C.)	With drain guide	With auto drain (N.O./N.C.)	With drain guide	With auto drain (N.O./N.C.)	With drain guide	Drain cock with barb fitting	
Dimensions										





Model	Standard specifications																
	Bracket mount																With auto drain
	P	A	B	C	D	E	G	J	M	N	Q	R	S	T	U	V	
AFM20-A/AFD20-A	1/8, 1/4	40	87.6	9.8	20	—	40	20	30	27	22	5.4	8.4	40	2.3	28	104.9
AFM30-A/AFD30-A	1/4, 3/8	53	115.1	14	26.7	30	50	26.7	41	40	23	6.5	8	53	2.3	30	156.8
AFM40-A/AFD40-A	1/4, 3/8, 1/2	70	147.1	18	35.5	38.4	75	35.5	50	54	26	8.5	10.5	70	2.3	35	186.9
AFM40-06-A/AFD40-06-A	3/4	75	149.1	20	35.5	38.4	75	35.5	50	54	25	8.5	10.5	70	2.3	34	188.9

Model	Semi-standard specifications	
	With barb fitting	With drain guide
	B	B
AFM20-A/AFD20-A	—	91.4
AFM30-A/AFD30-A	123.6	121.9
AFM40-A/AFD40-A	155.6	153.9
AFM40-06-A/AFD40-06-A	157.6	155.9

AC
 AF+AR+AL
 AW+AL
 AF+AR
 AF+AFM+AR
 AW+AFM
 Attachment
 AF
 AFM / AFD
 AR
 AL
 AW

Modular Type Regulators

Series AR

Regulator Series AR	Model	Port size	Options
 	AR20-A	1/8, 1/4	
	AR25-A	1/4, 3/8	Bracket
 	AR30-A		Round type pressure gauge
	AR40-A	1/4, 3/8, 1/2	With set nut (for panel mount)*
P.45 to 50	AR40-06-A	3/4	* Not interchangeable with existing AR Series.

AC

AF+AR+AL

AW+AL

AF+AR

AF+AFM+AR

AW+AFM

Attachment

AF

AFM / AFD

AR

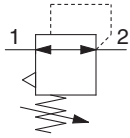
AL

AW

Regulator

AR20-A to AR40-A

JIS Symbol
Regulator



How to Order

AR **30** - **03** **BG** - **1N** -A

① ② ③ ④ ⑤

• Option/Semi-standard: Select one each for a to g.
• Option/Semi-standard symbol: When more than one specification is required, indicate in alphanumeric order.
Example) AR30-03BG-1N-A

	Symbol	Description	①					
			Body size					
			20	25	30	40		
②	—	Rc	●	●	●	●		
	N	NPT	●	●	●	●		
	F	G	●	●	●	●		
+								
③	01	1/8	●	—	—	—		
	02	1/4	●	●	●	●		
	03	3/8	—	●	●	●		
	04	1/2	—	—	—	●		
	06	3/4	—	—	—	●		
+								
④	a	—	Without mounting option		●	●	●	●
		B	With bracket		●	●	●	●
		H	With set nut (for panel fitting)		●	●	●	●
	+							
	b	—	Without pressure gauge		●	●	●	●
		G	Round type pressure gauge (with limit indicator)		●	●	●	●
M		Round type pressure gauge (with color zone)		●	●	●	●	
+								
⑤	c	—	0.05 to 0.7 MPa setting		●	●	●	●
		1	0.02 to 0.2 MPa setting		●	●	●	●
	+							
	d	—	Relieving type		●	●	●	●
		N	Non-relieving type		●	●	●	●
	+							
	e	—	Flow direction: Left to right		●	●	●	●
		R	Flow direction: Right to left		●	●	●	●
	+							
	f	—	Downward		●	●	●	●
Y		Upward		●	●	●	●	
+								
g	—	Name plate and pressure gauge in imperial units: MPa		●	●	●	●	
	Z	Name plate and pressure gauge in imperial units: psi		○	○	○	○	

Note 1) Option B, G, H, M are not assembled and supplied loose at the time of shipment.

Note 2) Assembly of a bracket and set nuts.

Note 3) When the pressure gauge is attached, a 1.0 MPa pressure gauge will be fitted for standard (0.7 MPa) type. 0.4 MPa pressure gauge for 0.2 MPa type.

Note 4) Pressure can be set higher than the specification pressure in some cases, but use pressure within the specification range.

Note 5) For thread type: NPT.

Round pressure gauge (with colour zone): Cannot be used with M. Available by request for special.

Note 6) ○: For thread type: NPT only

* Not interchangeable with existing AR Series.

* With set nut (for panel mount)

* Mounting pitch is different from existing AW Series.

Standard Specifications

Model	AR20-A	AR25-A	AR30-A	AR40-A	AR40-06-A
Port size	1/8, 1/4	1/4, 3/8	1/4, 3/8	1/4, 3/8, 1/2	3/4
Pressure gauge port size	1/8				
Fluid	Air				
Ambient and fluid temperature	- 5 to 60°C (with no freezing)				
Proof pressure	1.5 MPa				
Maximum operating pressure	1.0 MPa				
Set pressure range	0.05 to 0.7 MPa				
Construction	Relieving type				
Weight [kg]	0.17	0.19	0.34	0.58	0.60

Options/Part No.

Optional specifications	Model				
	AR20-A	AR25-A	AR30-A	AR40-A	AR40-06-A
Bracket assembly ^{Note 1)}	AR22P-270AS	AR27P-270AS	AR32P-270AS	AR42P-270AS	AR42P-270AS
Set nut	AR22P-260S	AR22P-260S	AR32P-260S	AR42P-260S	AR42P-260S
Pressure gauge	Round type ^{Note 2)}	Standard	G36-10-□01		G46-10-□01
		0.02 to 0.2 MPa setting	G36-4-□01		G46-4-□01
	Round type ^{Note 2)} (with colour zone)	Standard	G36-10-□01-L		G46-10-□01-L
		0.02 to 0.2 MPa setting	G36-4-□01-L		G46-4-□01-L

Note 1) Assembly of a bracket and set nuts

Note 2) □ in part numbers for a round pressure gauge indicates a type of connection thread. No indication is necessary for R; however, indicate N for NPT. Please contact SMC regarding the connection thread NPT and pressure gauge supply for psi unit specifications.

⚠ Specific Product Precautions

Be sure to read before handling. Refer to back cover for Safety Instructions, "Handling Precautions for SMC Products" (M-E03-3) and the Operation Manual for F.R.L. Precautions.

Selection

⚠ Warning

- Although exhaust of the residual pressure to the inlet side is possible when eliminating the inlet pressure, exhaust is not possible when the set pressure is 0.15 MPa or less. Use the regulator with backflow function.

Maintenance

⚠ Warning

- When using the regulator between a solenoid valve and an actuator, check the pressure gauge periodically. Sudden pressure fluctuations may shorten the durability of the pressure gauge. A digital pressure gauge is recommended for such situation or as deemed necessary.

Mounting and Adjustment

⚠ Warning

- Set the regulator while verifying the displayed values of the inlet and outlet pressure gauges. Turning the regulator knob excessively can cause damage to the internal parts.
- Do not use tools on the pressure regulator knob as this may cause damage. It must be operated manually.

⚠ Caution

- Be sure to unlock the knob before adjusting the pressure and lock it after setting the pressure. Failure to follow this procedure can cause damage to the knob and the outlet pressure may fluctuate.
 - Pull the pressure regulator knob to unlock. (You can visually verify this with the "orange mark" that appears in the gap.)
 - Push the pressure regulator knob to lock. When the knob is not easily locked, turn it left and right a little and then push it (when the knob is locked, the "orange mark", i.e., the gap will disappear).
- Pulsation will be generated when the difference between the inlet and the outlet pressure is large. In this case, reduce the pressure difference between the inlet and the outlet. Consult SMC if the pulsation problem is not resolved.

AC
 AF+AR+AL
 AW+AL
 AF+AR
 AF+AFM+AR
 AW+AFM
 Attachment
 AF
 AFM / AFD
 AR
 AL
 AW

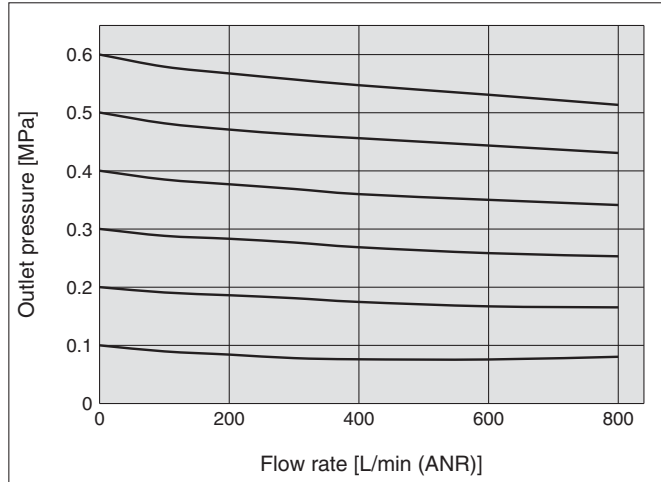
Series AR20-A to AR40-A

Flow Characteristics (Representative values)

Condition: Inlet pressure 0.7 [MPa]

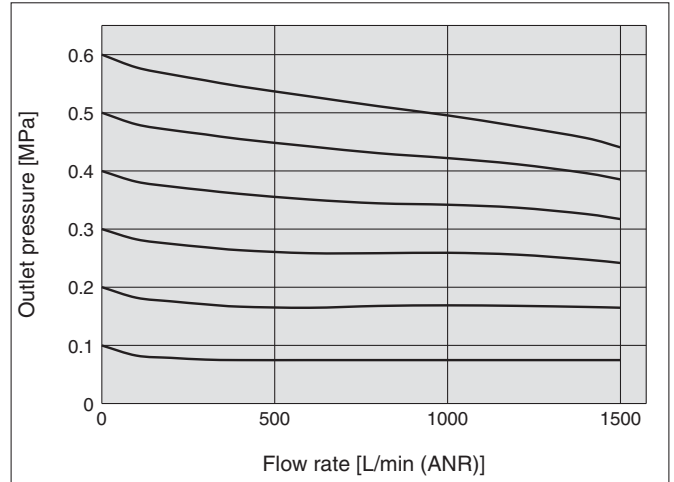
AR20-A

Rc 1/4



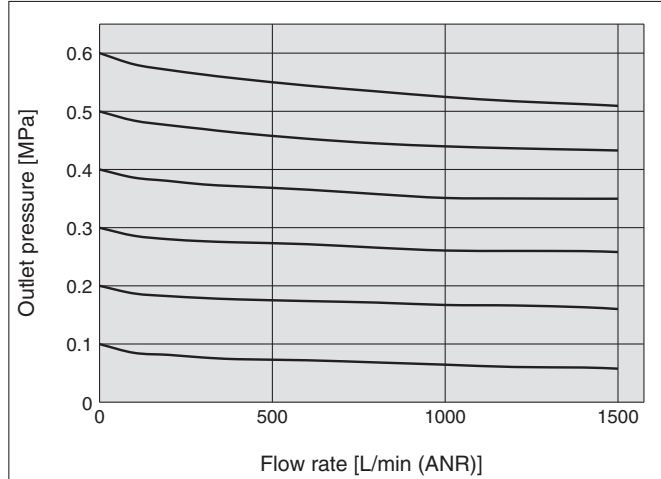
AR25-A

Rc 3/8



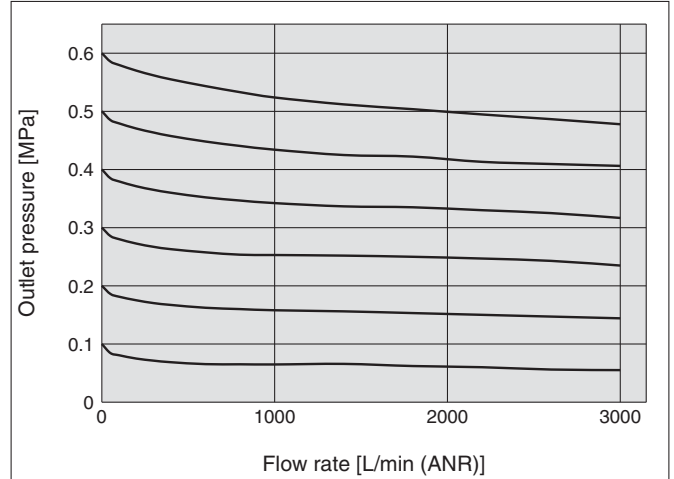
AR30-A

Rc 3/8



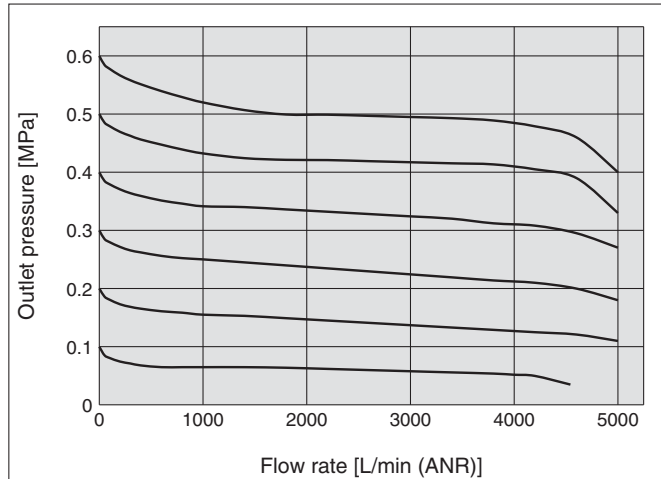
AR40-A

Rc 1/2



AR40-06-A

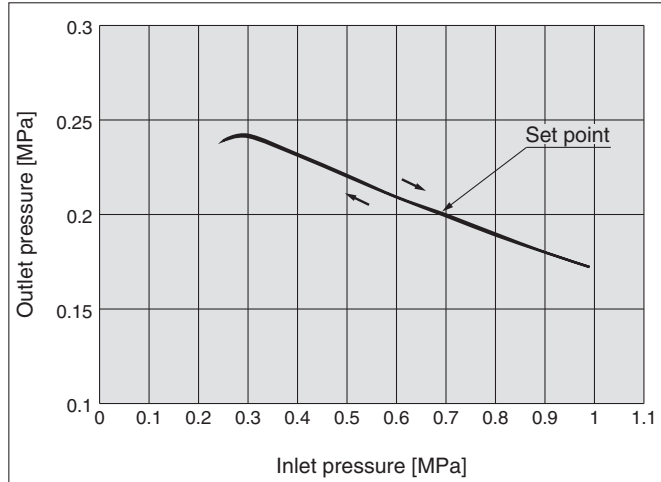
Rc 3/4



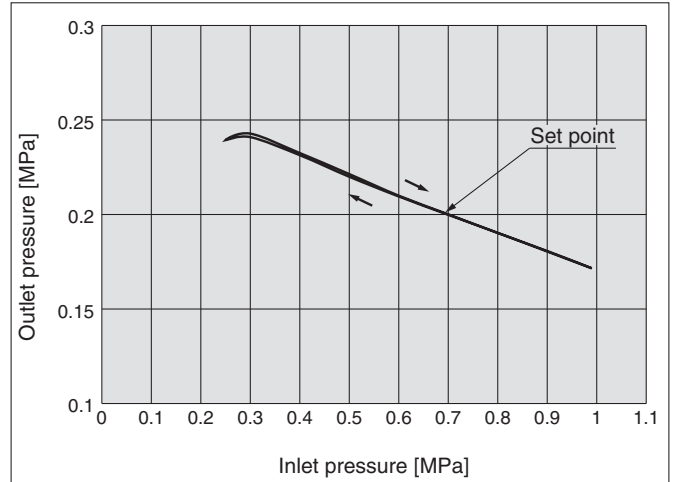
Regulator *Series AR20-A to AR40-A*

Pressure Characteristics (Representative values) Conditions: Inlet pressure 0.7 [MPa], Outlet pressure 0.2 [MPa], Flow rate 20 L/min (ANR)

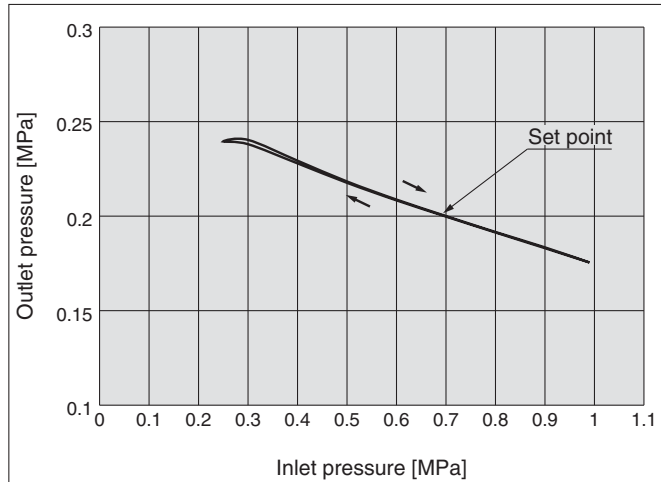
AR20-A



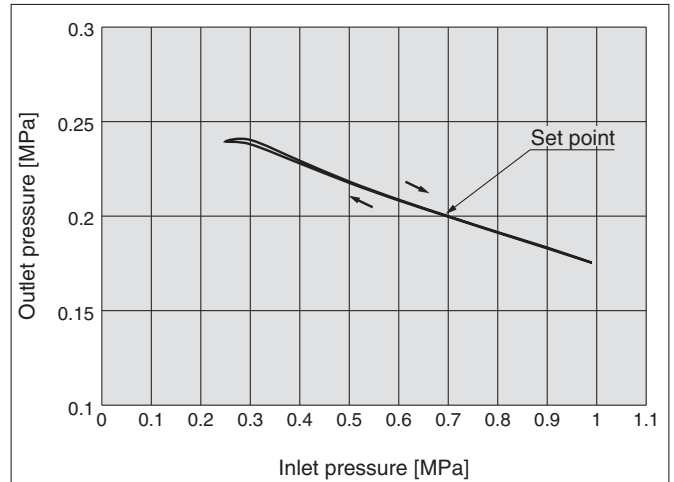
AR25-A



AR30-A



AR40-A/AR40-06-A

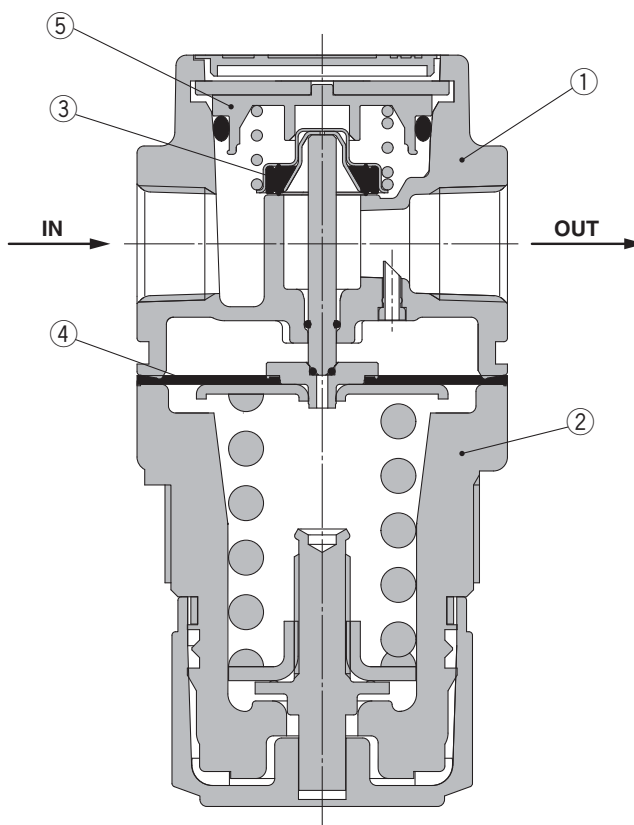


- AC
- AF+AR+AL
- AW+AL
- AF+AR
- AF+AFM+AR
- AW+AFM
- Attachment
- AF
- AFM / AFD
- AR
- AL
- AW

Series AR20-A to AR40-A

Construction

AR20-A to 40-06-A



Component Parts

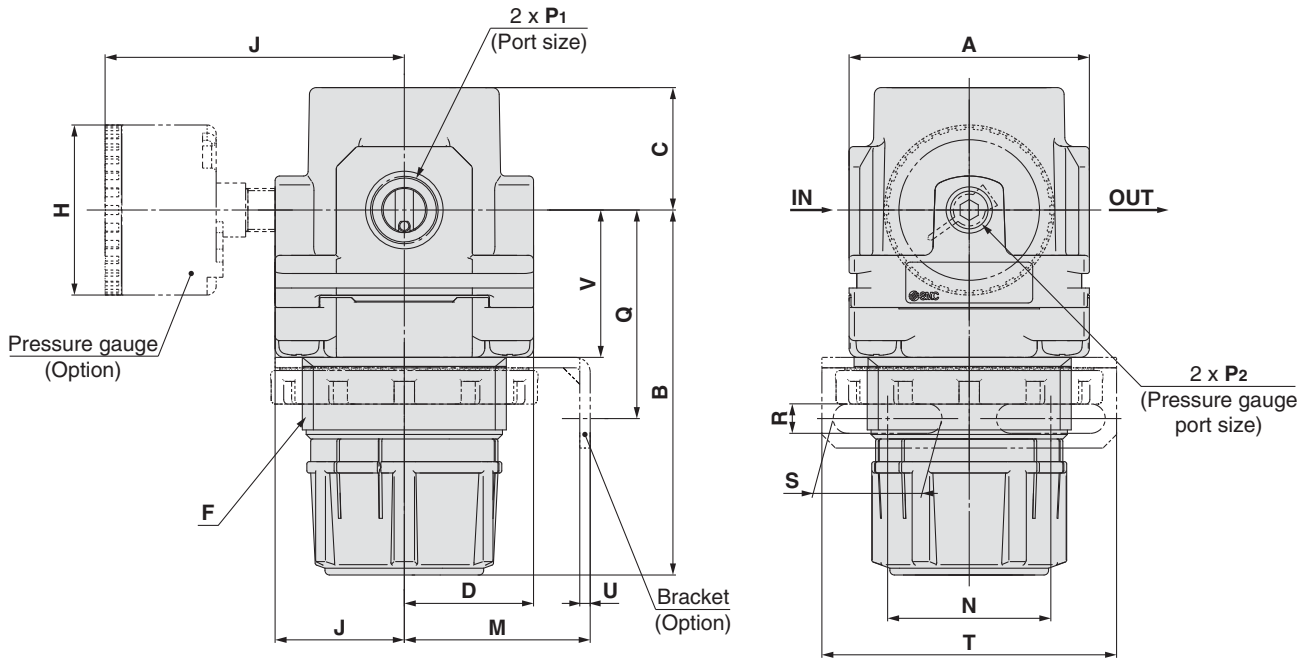
No.	Description	Material	Colour
1	Body	Aluminium die-cast	White
2	Bonnet	Polyacetal	White

Replacement Parts

No.	Description	Material	Part no.				
			AR20-A	AR25-A	AR30-A	AR40-A	AR40-06-A
3	Valve assembly	Stainless steel, HNBR	AR22P-060AS	AR32P-060AS	AR42P-060AS		
4	Diaphragm assembly	Weatherable NBR	AR22P-150AS	AR32P-150AS	AR42P-150AS		
5	Valve guide assembly	Polyacetal	AR22P-050AS	AR32P-050AS	AR42P-050AS		

Dimensions

AR20-A to AR40-06-A



Panel fitting dimension

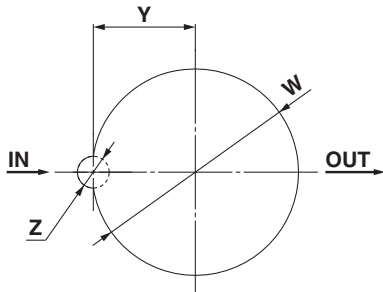


Plate thickness
 AR20-A to AR25-A : MAX.4
 AR30-A to AR40-06-A: MAX.8


Model	Standard specifications										Optional specifications												
	P1	P2	A	B ^{Note)}	C	D	F	J	Round type pressure gauge		Bracket mount					Panel mount							
									ø	H	M	N	Q	R	S	T	U	V	W	Y	Z		
AR20-A	1/8, 1/4	1/8	40	67.4	23.5	22	M36 x 1.5	22	ø37.5	58.5	ø37.5	59.5	30	34	43.9	5.4	15.4	55	2.3	27.3	36.5	17.5	6
AR25-A	1/4, 3/8	1/8	53	70.4	23.5	22	M36 x 1.5	22	ø37.5	58.5	ø37.5	59.5	30	34	44.3	5.4	15.4	55	2.3	30.3	36.5	17.5	6
AR30-A	1/4, 3/8	1/8	53	83.5	27	28.5	M45 x 1.5	28.5	ø37.5	65	ø37.5	66	41	36	46	6.5	24	65	2.3	32.5	45.5	22.5	7
AR40-A	1/4, 3/8, 1/2	1/8	70	100	33.5	34.5	M52 x 1.5	34.5	ø42.5	72	ø42.5	72	50	38	54	8.5	26.5	70	2.3	38.4	52.5	26	7
AR40-06-A	3/4	1/8	75	101.5	33.5	34.5	M52 x 1.5	34.5	ø42.5	72	ø42.5	72	50	38	55.5	8.5	26.5	70	2.3	39.9	52.5	26	7

Note) The total length of B dimension is the length when the filter regulator knob is unlocked.

AC
 AF+AR+AL
 AW+AL
 AF+AR
 AF+AFM+AR
 AW+AFM
 Attachment
 AF
 AFM / AFD
 AR
 AL
 AW

Modular Type Lubricators

Series AL

Lubricator Series AL  P.53 to 57	Model	Port size	Option
	AL20-A	1/8, 1/4	Bracket
	AL30-A	1/4, 3/8	
	AL40-A	1/4, 3/8, 1/2	
	AL40-06-A	3/4	

AC

AF+AR+AL

AW+AL

AF+AR

AF+AFM+AR

AW+AFM

Attachment

AF

AFM / AFD

AR

AL

AW

Lubricator

AL20-A to AL40-A

JIS Symbol



How to Order

AL **30** - **03** **B** - **A**

① ② ③ ④ ⑤

- Option/Semi-standard: Select one each for a to d.
- Option/Semi-standard symbol: When more than one specification is required, indicate in alphanumeric order.
Example) AL30-03B-R-A

	Symbol	Description	①			
			Body size			
			20	30	40	
② Thread type	—	Rc	●	●	●	
	N	NPT	●	●	●	
	F	G	●	●	●	
+						
③ Port size	01	1/8	●	—	—	
	02	1/4	●	●	●	
	03	3/8	—	●	●	
	04	1/2	—	—	●	
	06	3/4	—	—	●	
+						
④ Option (Mounting)	—	Without mounting option	●	●	●	
	B ^{Note 1)}	With bracket	●	●	●	
+						
⑤ Semi-standard	a Bowl	—	Polycarbonate bowl	●	●	●
		C	With bowl guard	●	— ^{Note 2)}	— ^{Note 2)}
	+					
	b Lubricant exhaust port	—	Without drain cock	●	●	●
		3	With drain cock	●	●	●
		3W	Drain cock with barb fitting (for ø6 x ø4 nylon tube)	—	●	●
	+					
	c Flow direction	—	Flow direction: Left to right	●	●	●
		R	Flow direction: Right to left	●	●	●
	+					
d Pressure unit	—	Name plate and caution plate for bowl in imperial units: MPa	●	●	●	
	Z ^{Note 3)}	Name plate and caution plate for bowl in imperial units: psi, °F	○ ^{Note 4)}	○ ^{Note 4)}	○ ^{Note 4)}	

Note 1) Option B is not assembled and supplied loose at the time of shipment.

Note 2) Standard material (polycarbonate)

Note 3) For thread type: NPT. This product is for overseas use only according to the new Measurement Law. (The SI unit type is provided for use in Japan.)

Note 4) ○: For thread type: NPT only

Lubricator *Series AL20-A to AL40-A*

Standard Specifications

Model	AL20-A	AL30-A	AL40-A	AL40-06-A
Port size	1/8, 1/4	1/4, 3/8	1/4, 3/8, 1/2	3/4
Fluid	Air			
Proof pressure	1.5 MPa			
Maximum operating pressure	1.0 MPa			
Ambient and fluid temperature	- 5 to 60°C (with no freezing)			
Minimum dripping flow rate [L/min (ANR)] ^{Note)}	15	1/4: 30 3/8: 40	1/4: 30 3/8: 40 1/2: 50	50
Oil capacity [cm ³]	25	55	135	
Recommended lubricant	Class 1 turbine oil (ISO VG32)			
Bowl material	Polycarbonate			
Bowl guard	Semi-standard (Steel)	Standard (Polycarbonate)		
Weight [kg]	0.10	0.20	0.38	0.43

Note) • The flow rate is 5 drops or greater/min under the following conditions: Inlet pressure of 0.5 MPa; Class 1 turbine oil (ISO VG32); Temperature at 20°C; Oil adjustment valve fully opened.

- Use air consumption flow rate for minimum dripping flow rate.

Option/Part No.

Optional specifications	Model			
	AL20-A	AL30-A	AL40-A	AL40-06-A
Bracket assembly ^{Note)}	AF22P-050AS	AF32P-050AS	AF42P-050AS	AF42P-070AS

Note) Assembly of a bracket and 2 mounting screws.

Semi-standard/Bowl Assembly Part No.

Semi-standard specifications				Model			
Bowl material	With drain cock	With barb fitting	With bowl guard	AL20-A	AL30-A	AL40-A	AL40-06-A
Polycarbonate	●	—	—	C2SL-3-A	C3SL-3-A	C4SL-3-A	
	—	—	●	C2SL-C-A	—	—	
	●	—	●	C2SL-3C-A	—	—	
	●	●	—	—	C3SL-3W-A	C4SL-3W-A	

Note) • The bowl assembly includes the bowl O-ring.

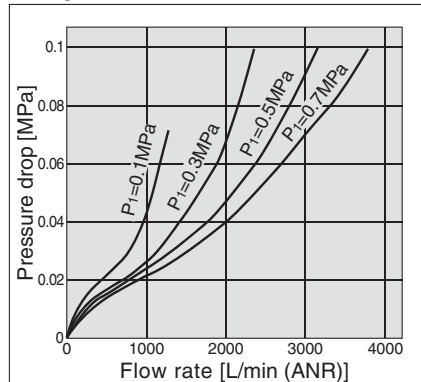
- Please consult with SMC separately for psi and °F unit display specifications.

AC
AF+AR+AL
AW+AL
AF+AR
AF+AFM+AR
AW+AFM
Attachment
AF
AFM/AFD
AR
AL
AW

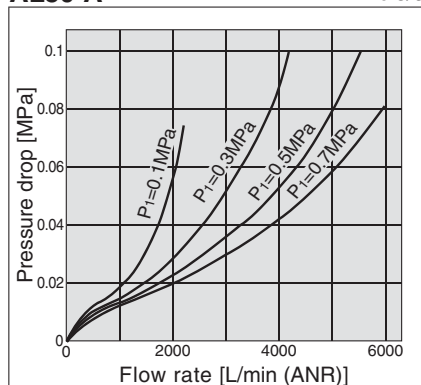
Series AL20-A to AL40-A

Flow Characteristics (Representative values)

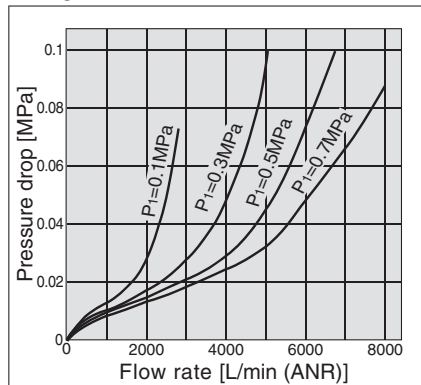
AL20-A Rc 1/4



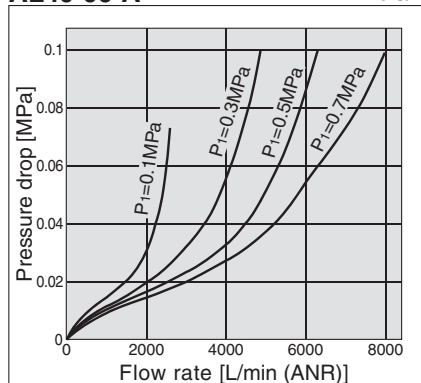
AL30-A Rc 3/8



AL40-A Rc 1/2



AL40-06-A Rc 3/4



⚠ Specific Product Precautions

Be sure to read before handling. Refer to back cover for Safety Instructions, "Handling Precautions for SMC Products" (M-E03-3) and the Operation Manual for F.R.L. Precautions.

Selection

⚠ Warning

- Do not introduce air from the outlet side as this can damage the damper.
- The standard bowl for the air filter, filter regulator, and lubricator, as well as the sight dome for the lubricator and bowl guard are made of polycarbonate. Do not use in an environment where they are exposed to or come in contact with organic solvents, chemicals, cutting oil, synthetic oil, alkali, and thread lock solutions.

Effects of atmosphere of organic solvents and chemicals, and where these elements are likely to adhere to the equipment. Chemical data for substances causing degradation (Reference)

Type	Chemical name	Application examples	Material Polycarbonate
Acid	Hydrochloric acid Sulfuric acid, Phosphoric acid Chromic acid	Acid washing liquid for metals	△
Alkaline	Sodium hydroxide (Caustic soda) Potash Calcium hydroxide (Slack lime) Ammonia water Carbonate of soda	Degreasing of metals Industrial salts Water-soluble cutting oil	×
Inorganic salts	Sodium sulfide Sulfate of potash Sulfate of soda	—	×
Chlorine solvents	Carbon tetrachloride Chloroform Ethylene chloride Methylene chloride	Cleansing liquid for metals Printing ink Dilution	×
Aromatic series	Benzene Toluene Paint thinner	Coatings Dry cleaning	×
Ketone	Acetone Methyl ethyl ketone Cyclohexane	Photographic film Dry cleaning Textile industries	×
Alcohol	Ethyl alcohol IPA Methyl alcohol	Antifreeze Adhesives	△
Oil	Gasoline Kerosene	—	×
Ester	Phthalic acid dimethyl Phthalic acid dimethyl Acetic acid	Synthetic oil Anti-rust additives	×
Ether	Methyl ether Ethyl ether	Brake oil additives	×
Amino	Methyl amino	Cutting oil Brake oil additives Rubber accelerator	×
Other	Thread-lock fluid Seawater Leak tester	—	×

△ : Some effects may occur × : Effects will occur

⚠ Caution

- Use a check valve (Series AKM) to prevent back flow of the lubricant when redirecting the air flow before the lubricator.

Maintenance

⚠ Warning

- For the AL20-A type, replenish the lubricant after releasing the inlet pressure. Lubrication cannot take place under a pressurised condition.
- Adjustment of the oil regulating valve for models from the AL20-A to AL40-A should be carried out manually. Turning it counterclockwise increases the dripping amount, and turning it clockwise reduces the dripping amount. The use of tools, etc. can result in damage to the unit. From the fully closed position, three rotations will bring it to the fully open position. Please do not rotate it any further than this. Note that the numbered scale markings are guidelines for adjusting the position, and not indicators of the dripping amount.

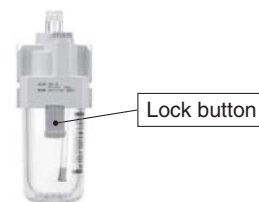
⚠ Caution

- Check the dripping amount once a day. Drip failure can cause damage to the components that need lubrication.

Mounting and Adjustment

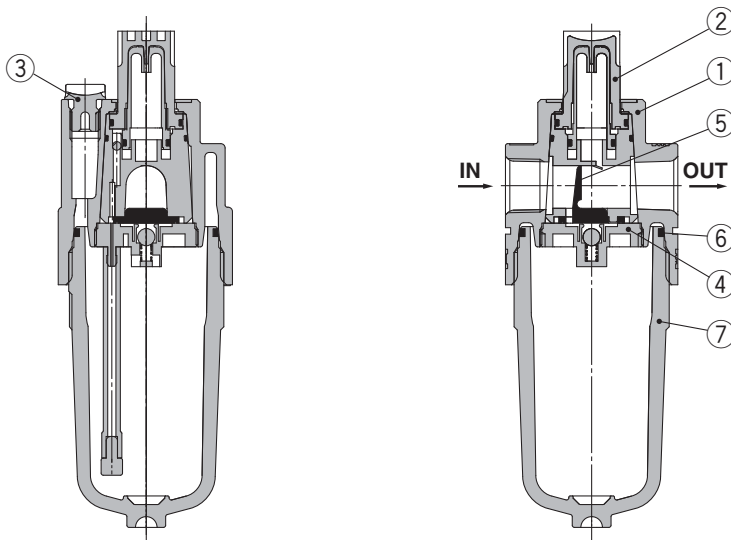
⚠ Caution

- When the bowl is installed, install them so that the lock button lines up to the groove of the front (or the back) of the body to avoid drop or damage of the bowl.

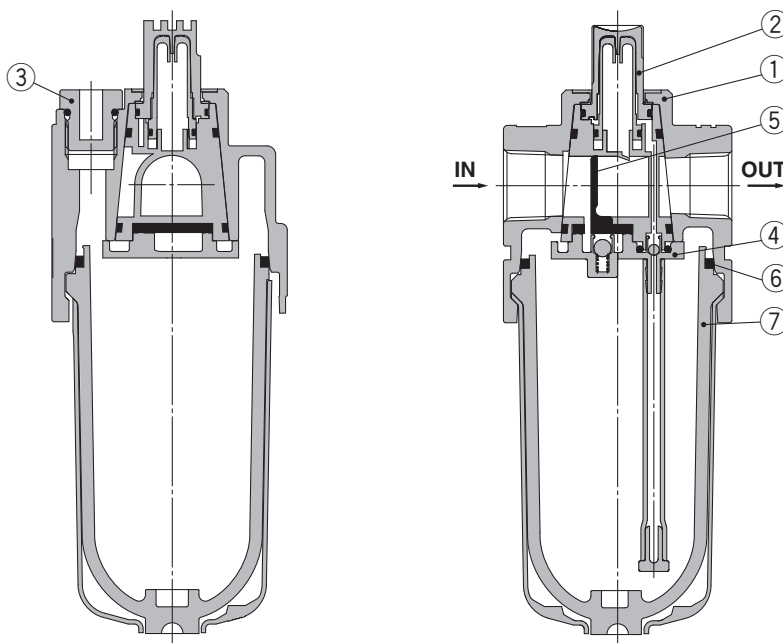


Construction

AL20-A



AL30-A, AL40-A



Component Parts

No.	Description	Material	Model	Colour
1	Body	Aluminium die-cast	AL20-A to AL40-A	White

Replacement Parts

No.	Description	Material	Part no.			
			AL20-A	AL30-A	AL40-A	AL40-06-A
2	Sight dome assembly	Polycarbonate	AL20P-080AS			
3	Lubrication plug assembly	—	AL22P-060AS	AL32P-060AS	AL42P-060AS	
4	Damper retainer assembly	—	AL20P-030AS	AL30P-030AS	AL40P-030AS	
5	Damper (assembly)	Synthetic resin	AL20P-040S	AL30P-040S	AL40P-040S	
6	Bowl seal	NBR	C2SFP-260S	C32FP-260S	C42FP-260S	
7	Bowl assembly ^{Note)}	Polycarbonate	C2SL-A	C3SL-A	C4SL-A	

Note) Bowl seal is included. Please contact SMC regarding the bowl assembly supply for psi and °F unit specifications.

AC

AF+AR+AL

AW+AL

AF+AR

AF+AFM+AR

AW+AFM

Attachment

AF

AFM / AFD

AR

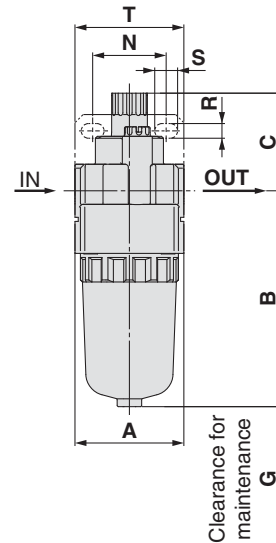
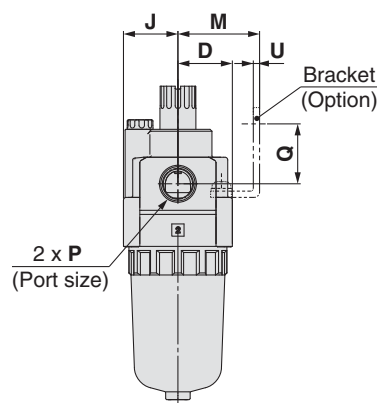
AL

AW

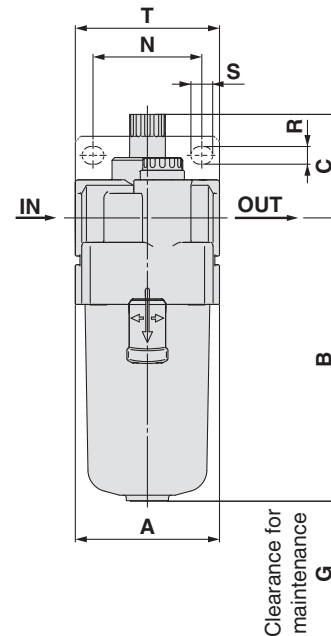
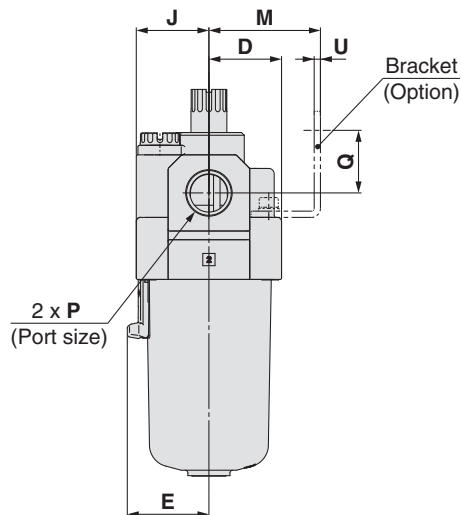
Series AL20-A to AL40-A

Dimensions

AL20-A



AL30-A, AL40-A




Applicable model	AL20-A		AL30-A to AL40-A		
	Optional/Semi-standard specifications	With drain cock	Metal bowl with drain cock	With drain cock	Drain cock with barb fitting
Dimensions					Barb fitting Applicable tubing: T0604

Model	Standard specifications								Optional specifications						
	P	A	B	C	D	E	G	J	M	N	Q	R	S	T	U
AL20-A	1/8, 1/4	40	79.3	35.9	20	—	60	20	30	27	22	5.4	8.4	40	2.3
AL30-A	1/4, 3/8	53	104.1	38.1	26.7	30	80	26.7	41	40	23	6.5	8	53	2.3
AL40-A	1/4, 3/8, 1/2	70	136.1	39.8	35.5	38.4	110	35.5	50	54	26	8.5	10.5	70	2.3
AL40-06-A	3/4	75	138.1	37.8	35.5	38.4	110	35.5	50	54	25	8.5	10.5	70	2.3

Model	Semi-standard specifications	
	With drain cock	With barb fitting
AL20-A	B	B
AL20-A	87.7	—
AL30-A	115.1	123.6
AL40-A	147.1	155.6
AL40-06-A	149.1	157.6

Modular Type Filter Regulators *Series AW*

Filter Regulator Series AW  P.59 to 65	Model	Port size	Options
	AW20-A	1/8, 1/4	Bracket Float type auto drain
	AW30-A	1/4, 3/8	Round type pressure gauge
	AW40-A	1/4, 3/8, 1/2	With set nut (for panel mount)*
	AW40-06-A	3/4	* Mounting pitch is different from existing AW Series.

AC

AF+AR+AL

AW+AL

AF+AR

AF+AFM+AR

AW+AFM

Attachment

AF

AFM / AFD

AR

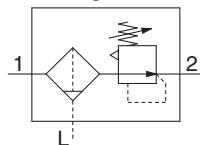
AL

AW

Filter Regulator

AW20-A to AW40-A

JIS Symbol
Filter Regulator



- Integrated filter and regulator units save space and require less piping.

How to Order

AW **30** - **03** **BG** - **1N** - **A**

①
②
③
④
⑤

- Option/Semi-standard: Select one each for a to i.
- Option/Semi-standard symbol: When more than one specification is required, indicate in alphanumeric order. Example) AW30-03BG-1N-A

	Symbol	Description	①			
			Body size			
			20	30	40	
②	—	Rc	●	●	●	
	N <small>Note 1)</small>	NPT	●	●	●	
	F <small>Note 2)</small>	G	●	●	●	
③	+					
	01	1/8	●	—	—	
	02	1/4	●	●	●	
	03	3/8	—	●	●	
	04	1/2	—	—	●	
④	a	+				
		—	Without mounting option	●	●	●
		B <small>Note 4)</small>	With bracket	●	●	●
	b	H	With set nut (for panel mount)	●	●	●
		+				
		—	Without auto drain	●	●	●
	c	C <small>Note 5)</small>	N.C. (Normal close) Drain port is closed when pressure is not applied.	●	●	●
		D <small>Note 6)</small>	N.O. (Normal open) Drain port is open when pressure is not applied.	—	●	●
		+				
	d	—	Without pressure gauge	●	●	●
		G	Round type pressure gauge (with limit indicator)	●	●	●
		M	Round type pressure gauge (with color zone)	●	●	●
⑤	e	+				
		—	0.05 to 0.7 MPa setting	●	●	●
		1	0.02 to 0.2 MPa setting	●	●	●
	f	+				
		—	Polycarbonate bowl	●	●	●
C	With bowl guard	●	— <small>Note 10)</small>	— <small>Note 10)</small>		

Filter Regulator *Series AW20-A to AW40-A*



AW20-A

AW40-A

	Symbol	Description	①				
			Body size				
			20	30	40		
5 Semi-standard	f	—	With drain cock	●	●	●	
		J ^{Note 11)}	Drain guide 1/8	●	—	—	
			Drain guide 1/4	—	●	●	
		W	Drain cock with barb fitting (for ø6 x ø4 nylon tube)	—	●	●	
				+			
	g	Exhaust mechanism	—	Relieving type	●	●	●
			N	Non-relieving type	●	●	●
				+			
	h	Flow direction	—	Flow direction: Left to right	●	●	●
			R	Flow direction: Right to left	●	●	●
			+				
i	Pressure unit	—	Name plate, caution plate for bowl, and pressure gauge in imperial units: MPa	●	●	●	
		Z ^{Note 12)}	Name plate, caution plate for bowl, and pressure gauge in imperial units: psi, °F	○ ^{Note 13)}	○ ^{Note 13)}	○ ^{Note 13)}	

Note 1) Drain guide is NPT 1/8 (applicable to the AW20-A) and NPT 1/4 (applicable to the AW30-A to AW40-A). The auto drain port comes with ø3/8" One-touch fitting (applicable to the AW30-A to AW40-A).

Note 2) Drain guide is G 1/8 (applicable to the AW20-A) and G 1/4 (applicable to the AW30-A to AW40-A).

Note 3) Option B, G, H, M are not assembled and supplied loose at the time of shipment.

Note 4) Assembly of a bracket and set nuts.

Note 5) When pressure is not applied, condensate which does not start the auto drain mechanism will be left in the bowl. Releasing the residual condensate before ending operations for the day is recommended.

Note 6) If the compressor is small (0.75 kW, discharge flow is less than 100 L/min[ANR]), air leakage from the drain cock may occur during start of operations. N.C. type is recommended.

Note 7) When the pressure gauge is attached, a 1.0 MPa pressure gauge will be fitted for standard (0.7 MPa) type. 0.4 MPa pressure gauge for 0.2 MPa type.

Note 8) Pressure can be set higher than the specification pressure in some cases, but use pressure within the specification range.

Note 9) Refer to Chemical data on page 62 for chemical resistance of the bowl.

Note 10) Standard material (polycarbonate)

Note 11) Without a valve function

Note 12) For thread type: NPT.

Note 13) ○: For thread type: NPT only

Standard Specifications

Model	AW20-A	AW30-A	AW40-A	AW40-06-A
Port size	1/8, 1/4	1/4, 3/8	1/4, 3/8, 1/2	3/4
Pressure gauge port size	1/8			
Fluid	Air			
Ambient and fluid temperature	-5 to 60°C (with no freezing)			
Proof pressure	1.5 MPa			
Maximum operating pressure	1.0 MPa			
Set pressure range	0.05 to 0.7 MPa			
Nominal filtration rating	5 µm			
Drain capacity [cm ³]	8	25	45	
Bowl material	Polycarbonate			
Bowl guard	Semi-standard (Steel)	Standard (Polycarbonate)		
Construction	Relieving type			
Weight [kg]	0.21	0.41	0.75	0.81

Series AW20-A to AW40-A

Options/Part No.

Optional specifications			Model			
			AW20-A	AW30-A	AW40-A	AW40-06-A
Bracket assembly ^{Note 1)}			AR22P-270AS	AR32P-270AS	AR42P-270AS	
Set nut			AR22P-260S	AR32P-260S	AR42P-260S	
Pressure gauge	Round type ^{Note 2)}	Standard	G36-10-□01		G46-10-□01	
		0.02 to 0.2 MPa setting	G36-4-□01		G46-4-□01	
	Round type (with colour zone) ^{Note 2)}	Standard	G36-10-□01-L		G46-10-□01-L	
		0.02 to 0.2 MPa setting	G36-4-□01-L		G46-4-□01-L	
Float type auto drain ^{Note 3) Note 4)}			N.C.	AD27-A	AD37-A	AD47-A
			N.O.	—	AD38-A	AD48-A

Semi-standard/Bowl Assembly Part No.

Semi-standard specifications					Model				
Bowl material	^{Note 3) Note 4)} Float type auto drain		^{Note 4)} With drain guide	With barb fitting	With bowl guard	AW20-A	AW30-A	AW40-A	AW40-06-A
	N.C.	N.O.							
Polycarbonate	—	—	—	—	●	C2SF-C-A	—	—	
	●	—	—	—	●	AD27-C-A	—	—	
	—	—	●	—	—	C2SF-J-A	C3SF-J-A	C4SF-J-A	
	—	—	—	●	—	—	C3SF-W-A	C4SF-W-A	
	—	—	●	—	●	C2SF-CJ-A	—	—	

Note 1) Assembly of a bracket and set nuts

Note 2) □ in part numbers for a round pressure gauge indicates a type of connection thread. No indication is necessary for R; however, indicate N for NPT. Please contact SMC regarding the connection thread NPT and pressure gauge supply for psi unit specifications.

Note 3) Minimum operating pressure: N.O. type—0.1 MPa; N.C. type—0.1 MPa (AD27-A) and 0.15 MPa (AD37-A/47-A).
Please consult with SMC separately for psi and °F unit display specifications.

Note 4) Please consult SMC for details on drain piping to fit NPT or G port sizes.
The bowl assembly includes the bowl O-ring.

⚠ Specific Product Precautions

Be sure to read before handling. Refer to back cover for Safety Instructions, “Handling Precautions for SMC Products” (M-E03-3) and the Operation Manual for F.R.L. Precautions.

Design / Selection

⚠ Warning

1. Although exhaust of the residual pressure to the inlet side is possible when eliminating the inlet pressure, exhaust is not possible when the set pressure is 0.15 MPa or less. Use the regulator with backflow function.
2. **The standard bowl for the air filter, filter regulator, and lubricator, as well as the sight dome for the lubricator and bowl guard are made of polycarbonate. Do not use in an environment where they are exposed to or come in contact with organic solvents, chemicals, cutting oil, synthetic oil, alkali, and thread lock solutions.**

Effects of atmosphere of organic solvents and chemicals, and where these elements are likely to adhere to the equipment.
Chemical data for substances causing degradation (Reference)

Type	Chemical name	Application examples	Material
			Polycarbonate
Acid	Hydrochloric acid Sulfuric acid, Phosphoric acid Chromic acid	Acid washing liquid for metals	△
Alkaline	Sodium hydroxide (Caustic soda) Potash Calcium hydroxide (Slack lime) Ammonia water Carbonate of soda	Degreasing of metals Industrial salts Water-soluble cutting oil	×
Inorganic salts	Sodium sulfide Sulfate of potash Sulfate of soda	—	×
Chlorine solvents	Carbon tetrachloride Chloroform Ethylene chloride Methylene chloride	Cleansing liquid for metals Printing ink Dilution	×
Aromatic series	Benzene Toluene Paint thinner	Coatings Dry cleaning	×
Ketone	Acetone Methyl ethyl ketone Cyclohexane	Photographic film Dry cleaning Textile industries	×
Alcohol	Ethyl alcohol IPA Methyl alcohol	Antifreeze Adhesives	△
Oil	Gasoline Kerosene	—	×
Ester	Phthalic acid dimethyl Phthalic acid dimethyl Acetic acid	Synthetic oil Anti-rust additives	×
Ether	Methyl ether Ethyl ether	Brake oil additives	×
Amino	Methyl amino	Cutting oil Brake oil additives Rubber accelerato	×
Other	Thread-lock fluid Seawater Leak tester	—	×

△ : Some effects may occur × : Effects will occur

Maintenance

⚠ Warning

1. Replace the element every 2 years or when the pressure drop becomes 0.1 MPa, whichever comes first, to prevent damage to the element.

Mounting and Adjustment

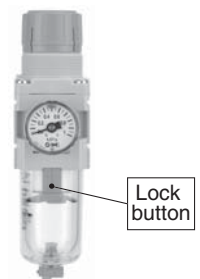
⚠ Warning

1. Set the regulator while verifying the displayed values of the inlet and outlet pressure gauges. Turning the regulator knob excessively can cause damage to the internal parts.
2. Do not use tools on the pressure regulator knob as this may cause damage. It must be operated manually.

Mounting and Adjustment

⚠ Caution

1. Be sure to unlock the knob before adjusting the pressure and lock it after setting the pressure. Failure to follow this procedure can cause damage to the knob and the outlet pressure may fluctuate.
 - Pull the pressure regulator knob to unlock. (You can visually verify this with the “orange mark” that appears in the gap.)
 - Push the pressure regulator knob to lock. When the knob is not easily locked, turn it left and right a little and then push it (when the knob is locked, the “orange mark”, i.e., the gap will disappear).
2. Pulsation will be generated when the difference between the inlet and the outlet pressure is large. In this case, reduce the pressure difference between the inlet and the outlet. Consult SMC if the pulsation problem is not resolved.
3. When the bowl is installed, install them so that the lock button lines up to the groove of the front (or the back) of the body to avoid drop or damage of the bowl.



AC

AF+AR+AL

AW+AL

AF+AR

AF+AFM+AR

AW+AFM

Attachment

AF

AFM / AFD

AR

AL

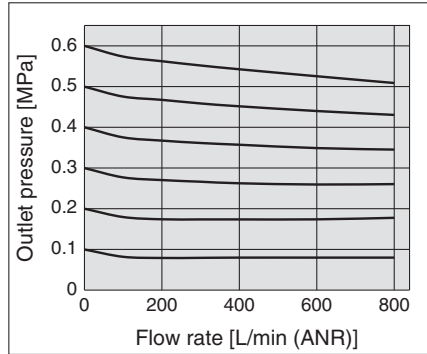
AW

Series AW20-A to AW40-A

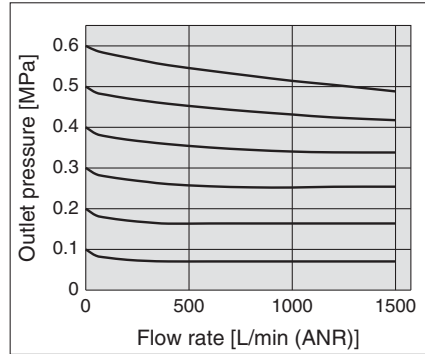
Flow Characteristics (Representative values)

Condition: Inlet pressure 0.7 [MPa]

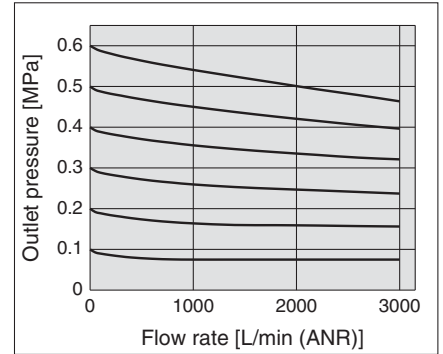
AW20-A Rc 1/4



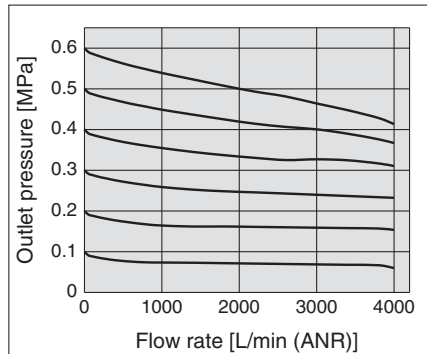
AW30-A Rc 3/8



AW40-A Rc 1/2



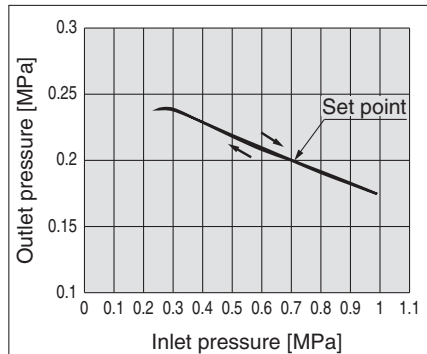
AW40-06-A Rc 3/4



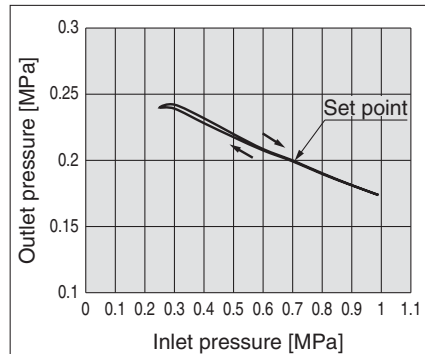
Pressure Characteristics (Representative values)

Conditions: Inlet pressure 0.7 [MPa], Outlet pressure 0.2 [MPa], Flow rate 20 [L/min (ANR)]

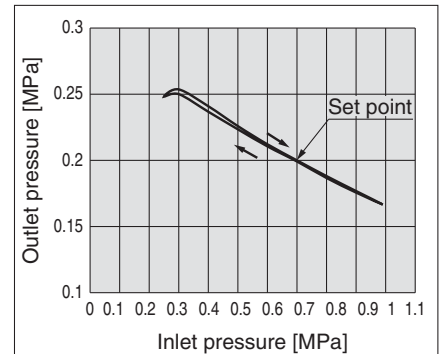
AW20-A



AW30-A



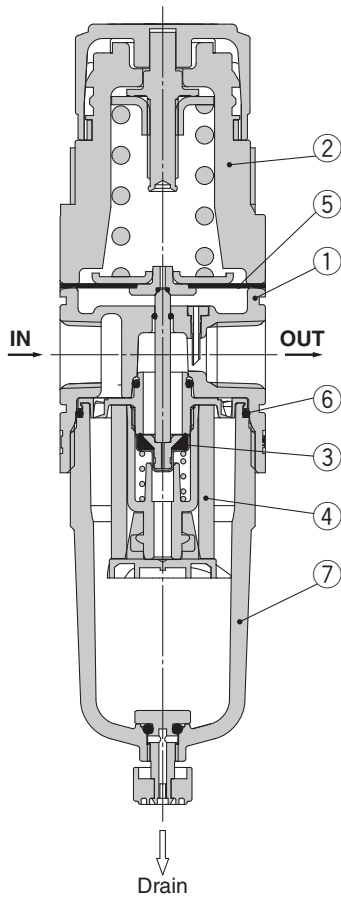
AW40-A/AW40-06-A



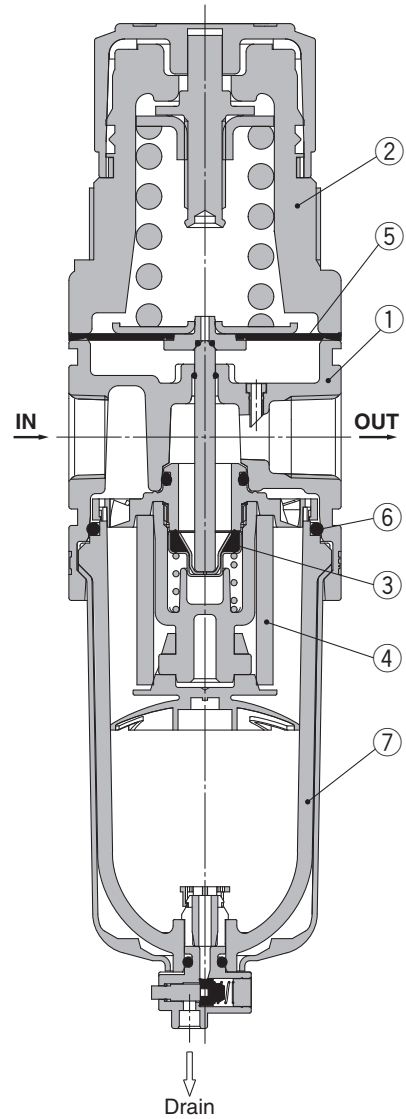
Filter Regulator *Series AW20-A to AW40-A*

Construction

AW20-A



AW30-A to AW40-06-A



Component Parts

No.	Description	Material	Colour
1	Body	Aluminium die-cast	White
2	Bonnet	Polyacetal	White

Replacement Parts

No.	Description	Material	Part no.			
			AW20-A	AW30-A	AW40-A	AW40-06-A
3	Valve assembly	Stainless steel, HNBR	AW22P-060AS	AW32P-060AS	AW42P-060AS	
4	Filter element	Non-woven fabric	AF20P-060S	AF30P-060S	AF40P-060S	
5	Diaphragm assembly	Weatherable NBR	AR22P-150AS	AR32P-150AS	AR42P-150AS	
6	Bowl seal	NBR	C2SFP-260S	C32FP-260S	C42FP-260S	
7	Bowl assembly ^{Note)}	Polycarbonate	C2SF-A	C3SF-A	C4SF-A	

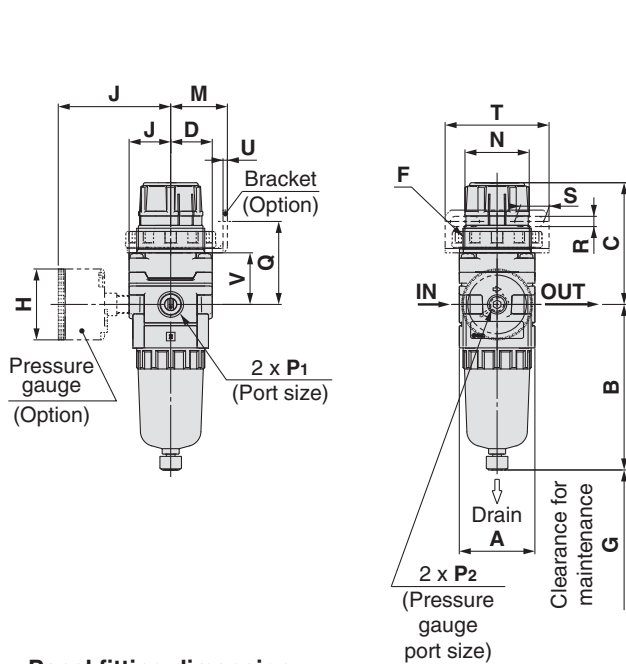
Note) Bowl seal is included. Please contact SMC regarding the bowl assembly supply for psi and °F unit specifications.

AC
AF+AR+AL
AW+AL
AF+AR
AF+AFM+AR
AW+AFM
Attachment
AF
AFM/AFD
AR
AL
AW

Series AW20-A to AW40-A

Dimensions

AW20-A



Panel fitting dimension

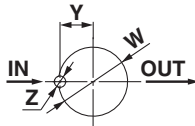
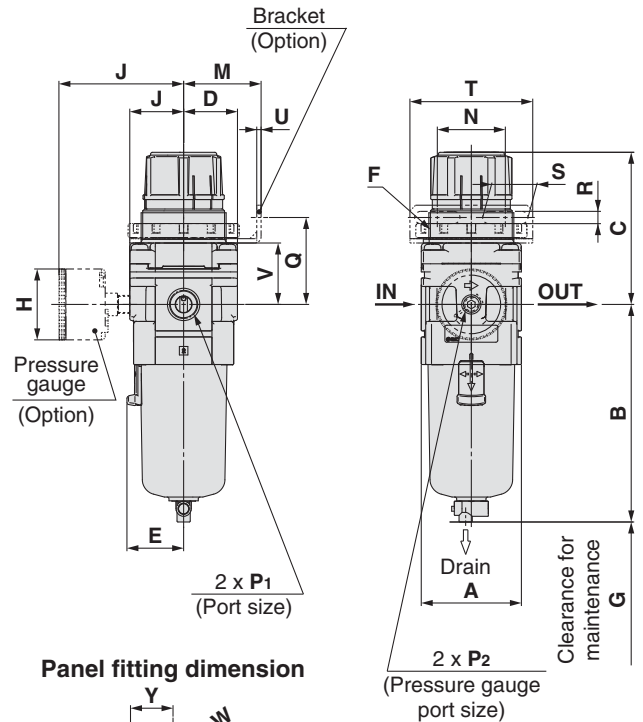


Plate thickness
AW20-A : Max.4

AW30-A to AW40-06-A



Panel fitting dimension

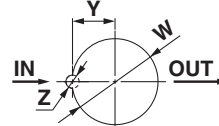


Plate thickness
AW30-A to AW40-06-A : MAX.8

Applicable model	AW20-A		AW30-A to AW40-A				
	Optional/Semi-standard specifications	With auto drain (N.C.)	With drain guide	With auto drain (N.O./N.C.)	With drain guide	Drain cock with barb fitting	
Dimensions	 M5 x 0.8	 1/8 Width across flats 14	 N.O.: Black N.C.: Gray Thread type/Rc,G: ø10 One-touch fitting Thread type/NPT: ø3/8" One-touch fitting	 Width across flats 17 1/4	 Barb fitting Applicable tubing: T0604		

Model	Standard specifications										Optional specifications			
	P1	P2	A	B	C ^{Note}	D	E	F	G	J	Round type pressure gauge	Round type pressure gauge (with colour zone)	H	J
AW20-A	1/8, 1/4	1/8	40	87.6	67.4	22	—	M36 x 1.5	25	22	ø37.5	58.5	ø37.5	59.5
AW30-A	1/4, 3/8	1/8	53	115.1	83.5	28.5	30	M45 x 1.5	35	28.5	ø37.5	65	ø37.5	66
AW40-A	1/4, 3/8, 1/2	1/8	70	147.1	100	34.5	38.4	M52 x 1.5	40	34.5	ø42.5	72	ø42.5	72
AW40-06-A	3/4	1/8	75	149.1	101.5	34.5	38.4	M52 x 1.5	40	34.5	ø42.5	72	ø42.5	72




Model	Optional specifications											Semi-standard specifications		
	Bracket mount					Panel mount					With auto drain	With barb fitting	With drain guide	
	M	N	Q	R	S	T	U	V	W	Y	Z	B	B	B
AW20-A	30	34	43.9	5.4	15.4	55	2.3	27.3	36.5	17.5	6	104.9	—	91.4
AW30-A	41	36	46	6.5	24	65	2.3	32.5	45.5	22.5	7	156.8	123.6	121.9
AW40-A	50	38	54	8.5	26.5	70	2.3	38.4	52.5	26	7	186.9	155.6	153.9
AW40-06-A	50	38	55.5	8.5	26.5	70	2.3	39.9	52.5	26	7	188.9	157.6	155.9

Note) The total length of C dimension is the length when the filter regulator knob is unlocked.

AW**AL****AR****AFM / AFD****AF****Attachment****AW+AFM****AF+AFM+AR****AF+AR****AW+AL****AF+AR+AL****AC**

Safety Instructions

These safety instructions are intended to prevent hazardous situations and/or equipment damage. These instructions indicate the level of potential hazard with the labels of “**Caution**,” “**Warning**” or “**Danger**.” They are all important notes for safety and must be followed in addition to International Standards (ISO/IEC)*1), and other safety regulations.

-  **Caution:** **Caution** indicates a hazard with a low level of risk which, if not avoided, could result in minor or moderate injury.
-  **Warning:** **Warning** indicates a hazard with a medium level of risk which, if not avoided, could result in death or serious injury.
-  **Danger :** **Danger** indicates a hazard with a high level of risk which, if not avoided, will result in death or serious injury.

- *1) ISO 4414: Pneumatic fluid power – General rules relating to systems.
 ISO 4413: Hydraulic fluid power – General rules relating to systems.
 IEC 60204-1: Safety of machinery – Electrical equipment of machines.
 (Part 1: General requirements)
 ISO 10218-1: Manipulating industrial robots - Safety.
 etc.

Warning

- 1. The compatibility of the product is the responsibility of the person who designs the equipment or decides its specifications.**
 Since the product specified here is used under various operating conditions, its compatibility with specific equipment must be decided by the person who designs the equipment or decides its specifications based on necessary analysis and test results. The expected performance and safety assurance of the equipment will be the responsibility of the person who has determined its compatibility with the product. This person should also continuously review all specifications of the product referring to its latest catalogue information, with a view to giving due consideration to any possibility of equipment failure when configuring the equipment.
- 2. Only personnel with appropriate training should operate machinery and equipment.**
 The product specified here may become unsafe if handled incorrectly. The assembly, operation and maintenance of machines or equipment including our products must be performed by an operator who is appropriately trained and experienced.
- 3. Do not service or attempt to remove product and machinery/equipment until safety is confirmed.**
 1. The inspection and maintenance of machinery/equipment should only be performed after measures to prevent falling or runaway of the driven objects have been confirmed.
 2. When the product is to be removed, confirm that the safety measures as mentioned above are implemented and the power from any appropriate source is cut, and read and understand the specific product precautions of all relevant products carefully.
 3. Before machinery/equipment is restarted, take measures to prevent unexpected operation and malfunction.
- 4. Contact SMC beforehand and take special consideration of safety measures if the product is to be used in any of the following conditions.**
 1. Conditions and environments outside of the given specifications, or use outdoors or in a place exposed to direct sunlight.
 2. Installation on equipment in conjunction with atomic energy, railways, air navigation, space, shipping, vehicles, military, medical treatment, combustion and recreation, or equipment in contact with food and beverages, emergency stop circuits, clutch and brake circuits in press applications, safety equipment or other applications unsuitable for the standard specifications described in the product catalogue.
 3. An application which could have negative effects on people, property, or animals requiring special safety analysis.
 4. Use in an interlock circuit, which requires the provision of double interlock for possible failure by using a mechanical protective function, and periodical checks to confirm proper operation.

Caution

- 1. The product is provided for use in manufacturing industries.**
 The product herein described is basically provided for peaceful use in manufacturing industries.
 If considering using the product in other industries, consult SMC beforehand and exchange specifications or a contract if necessary.
 If anything is unclear, contact your nearest sales branch.

Limited warranty and Disclaimer/ Compliance Requirements

The product used is subject to the following “Limited warranty and Disclaimer” and “Compliance Requirements”.

Read and accept them before using the product.

Limited warranty and Disclaimer

1. The warranty period of the product is 1 year in service or 1.5 years after the product is delivered, whichever is first.*2)
 Also, the product may have specified durability, running distance or replacement parts. Please consult your nearest sales branch.
2. For any failure or damage reported within the warranty period which is clearly our responsibility, a replacement product or necessary parts will be provided.
 This limited warranty applies only to our product independently, and not to any other damage incurred due to the failure of the product.
3. Prior to using SMC products, please read and understand the warranty terms and disclaimers noted in the specified catalogue for the particular products.

*2) Vacuum pads are excluded from this 1 year warranty.

A vacuum pad is a consumable part, so it is warranted for a year after it is delivered. Also, even within the warranty period, the wear of a product due to the use of the vacuum pad or failure due to the deterioration of rubber material are not covered by the limited warranty.

Compliance Requirements

1. The use of SMC products with production equipment for the manufacture of weapons of mass destruction (WMD) or any other weapon is strictly prohibited.
2. The exports of SMC products or technology from one country to another are governed by the relevant security laws and regulations of the countries involved in the transaction. Prior to the shipment of a SMC product to another country, assure that all local rules governing that export are known and followed.

Safety Instructions

Be sure to read “Handling Precautions for SMC Products” (M-E03-3) before using.

SMC Corporation (Europe)

Austria	☎+43 (0)2262622800	www.smc.at	office@smc.at
Belgium	☎+32 (0)33551464	www.smcpnematics.be	info@smcpnematics.be
Bulgaria	☎+359 (0)2807670	www.smc.bg	office@smc.bg
Croatia	☎+385 (0)13707288	www.smc.hr	office@smc.hr
Czech Republic	☎+420 541424611	www.smc.cz	office@smc.cz
Denmark	☎+45 70252900	www.smc.dk.com	smc@smcdk.com
Estonia	☎+372 6510370	www.smcpnematics.ee	smc@smcpnematics.ee
Finland	☎+358 207513513	www.smc.fi	smcffi@smc.fi
France	☎+33 (0)164761000	www.smc-france.fr	promotion@smc-france.fr
Germany	☎+49 (0)61034020	www.smc.de	info@smc.de
Greece	☎+30 210 2717265	www.smchellas.gr	sales@smchellas.gr
Hungary	☎+36 23511390	www.smc.hu	office@smc.hu
Ireland	☎+353 (0)14039000	www.smcpnematics.ie	sales@smcpnematics.ie
Italy	☎+39 0292711	www.smcitalia.it	mailbox@smcitalia.it
Latvia	☎+371 67817700	www.smc.lv	info@smclv.lv

Lithuania	☎+370 5 2308118	www.smclt.lt	info@smclt.lt
Netherlands	☎+31 (0)205318888	www.smcpnematics.nl	info@smcpnematics.nl
Norway	☎+47 67129020	www.smc-norge.no	post@smc-norge.no
Poland	☎+48 (0)222119616	www.smc.pl	office@smc.pl
Portugal	☎+351 226166570	www.smc.eu	postpt@smc.smces.es
Romania	☎+40 213205111	www.smcromania.ro	smcromania@smcromania.ro
Russia	☎+7 8127185445	www.smc-pneumatik.ru	info@smc-pneumatik.ru
Slovakia	☎+421 (0)413213212	www.smc.sk	office@smc.sk
Slovenia	☎+386 (0)73885412	www.smc.si	office@smc.si
Spain	☎+34 902184100	www.smc.eu	post@smc.smces.es
Sweden	☎+46 (0)86031200	www.smc.nu	post@smc.nu
Switzerland	☎+41 (0)523963131	www.smc.ch	info@smc.ch
Turkey	☎+90 212 489 0 440	www.smcpnomatik.com.tr	info@smcpnomatik.com.tr
UK	☎+44 (0)845 121 5122	www.smcpnematics.co.uk	sales@smcpnematics.co.uk