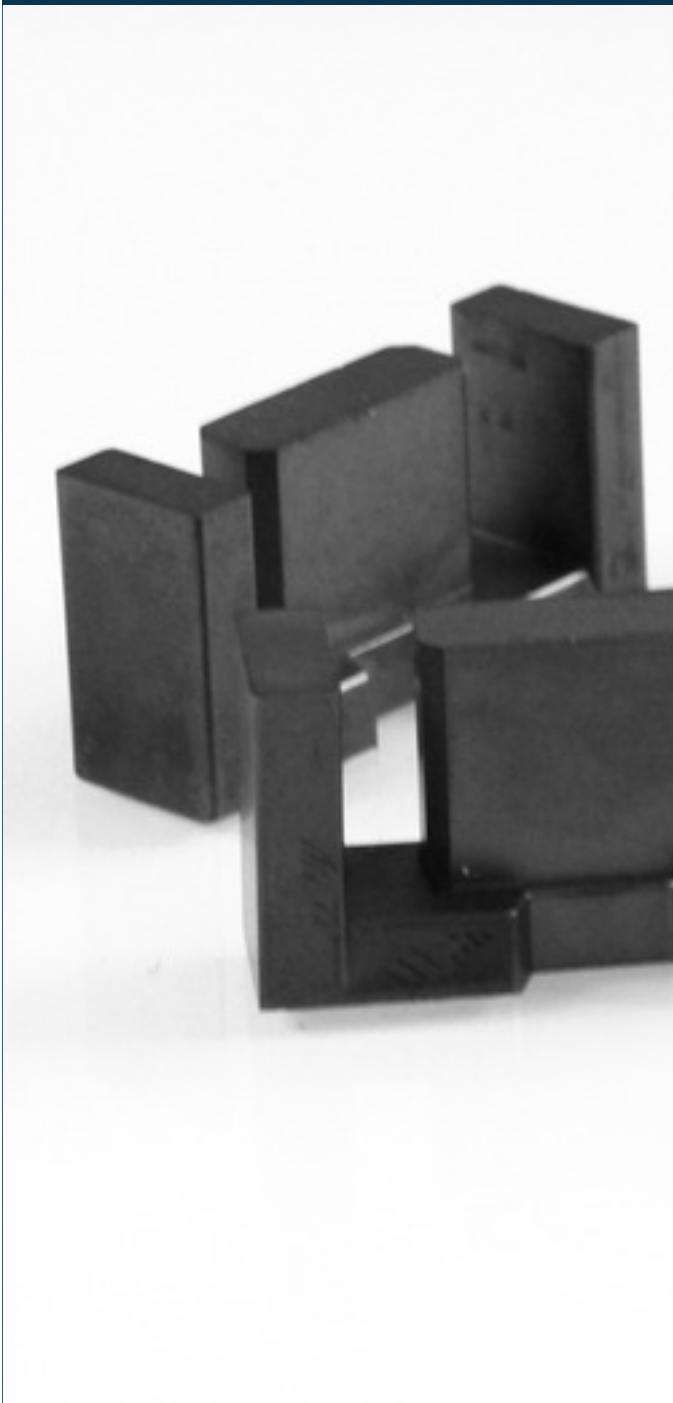


Core  
**FS-1EFD-2509-00**



## Advantages

Cost saving and easy compilation of components for pattern construction through unification

Insertion of air gaps on request

On request wound inductors to EN61558-2-16 standard an EN60950 or vacuum potted

## Applications

Transformers and reactors in switch mode power supplies

## Approvals

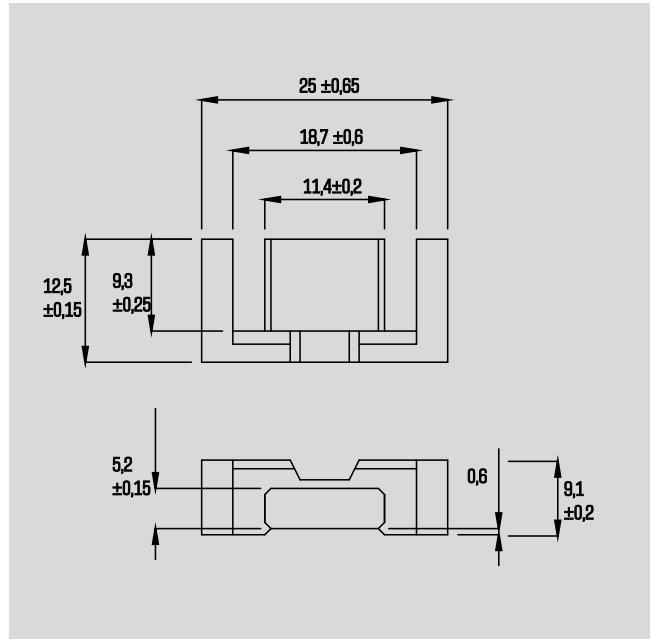


# Core FS-1EFD-2509-00

Type		FS-1EFD-2509-00
Electrical data	Magnetic characteristics	0 nH ± 10%
		>210°C
		<450 kW/m³
		21A/m @25°C
		13A/m @100°C
		>380
	Material	N87 (or comparable)
	Ae	58.0 mm²
		57.0 mm²
	Le	57.0 mm
		2000 nH ± 25%
		0 nH ± 10%
		558 nH ± 10%
		336 nH ± 10%
		171 nH ± 10%
	103 nH ± 10%	
	0 nH ± 10%	
	0 nH ± 10%	
Operating data		25 kHz - 200 kHz
Notes		ISO 2768-m
Order numbers		
Order Number		<b>FS-1EFD-2509-00</b>

Type		FS-1EFD-2509-00
Notes		
Remark		

30 Mechanical data



Subjects to change.