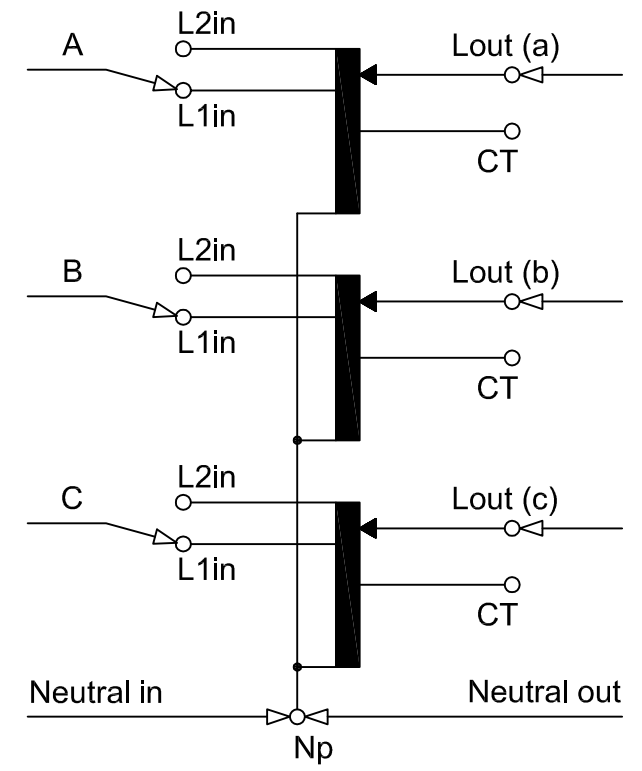
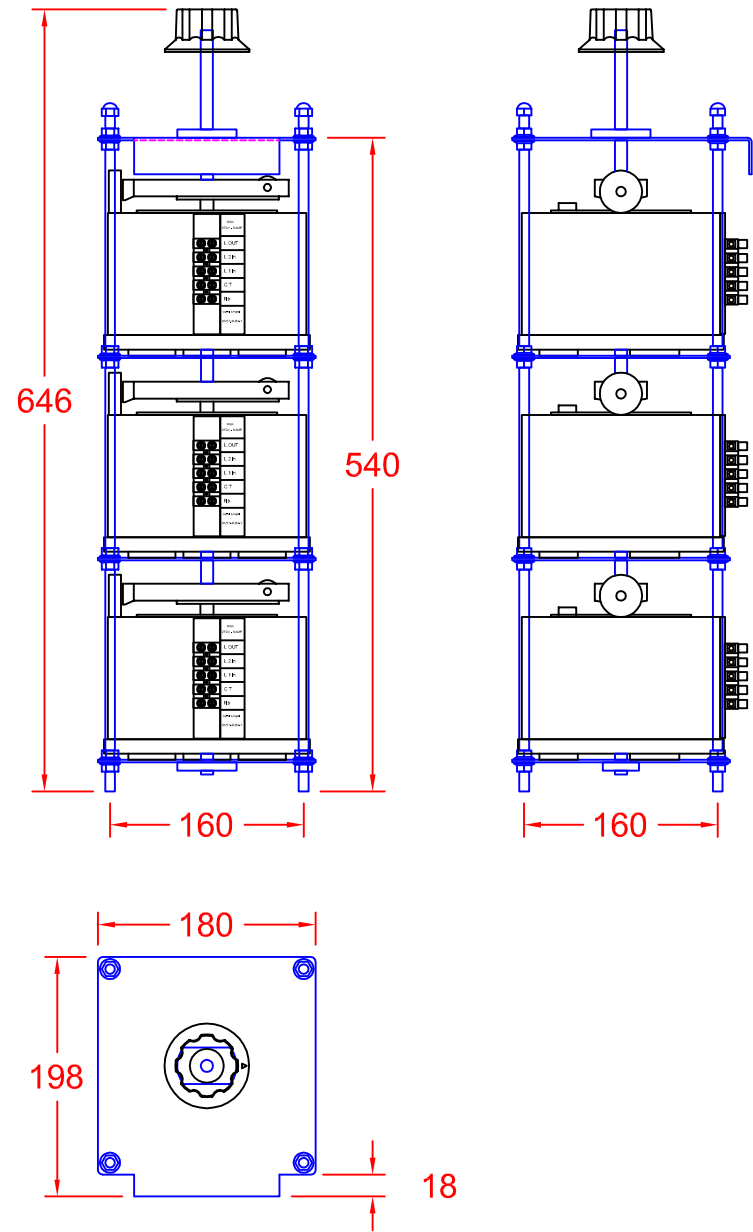


TOLERANCES (UNLESS SPECIFIED)	
0-10mm	±0.2mm
10.1-50mm	±0.5mm
50.1-250mm	±1.0mm
>250mm	±2.0mm



THREE PHASE VARIABLE AUTOTRANSFORMER
MODEL: MVT4.2k/5A-3
INPUT: UP TO 415V LINE-LINE, 50/60Hz
OUTPUT: 0-100% OF INPUT (USE L2in) OR
 0-112% OF INPUT (USE L1in)
RATING: 4.2kVA AT 467V, 5A MAX
TERMINATION: CLAMP TYPE, 0.5-4.0mm²

REV	
4	
3	
2	
1	

CARROLL & MEYNELL
 TRANSFORMERS LIMITED
 TEL: 01642 617406 FAX: 01642 614178
 enquiries@carroll-meynell.com

TITLE
VARIABLE TRANSFORMER
3 PHASE 5A
 ALL DIMENSIONS IN mm

DRAWN	PROJECTION	DATE	SCALE
GB		26/07/16	NTS
DRAW No	REV	PAGE	
5817	0	1/1	