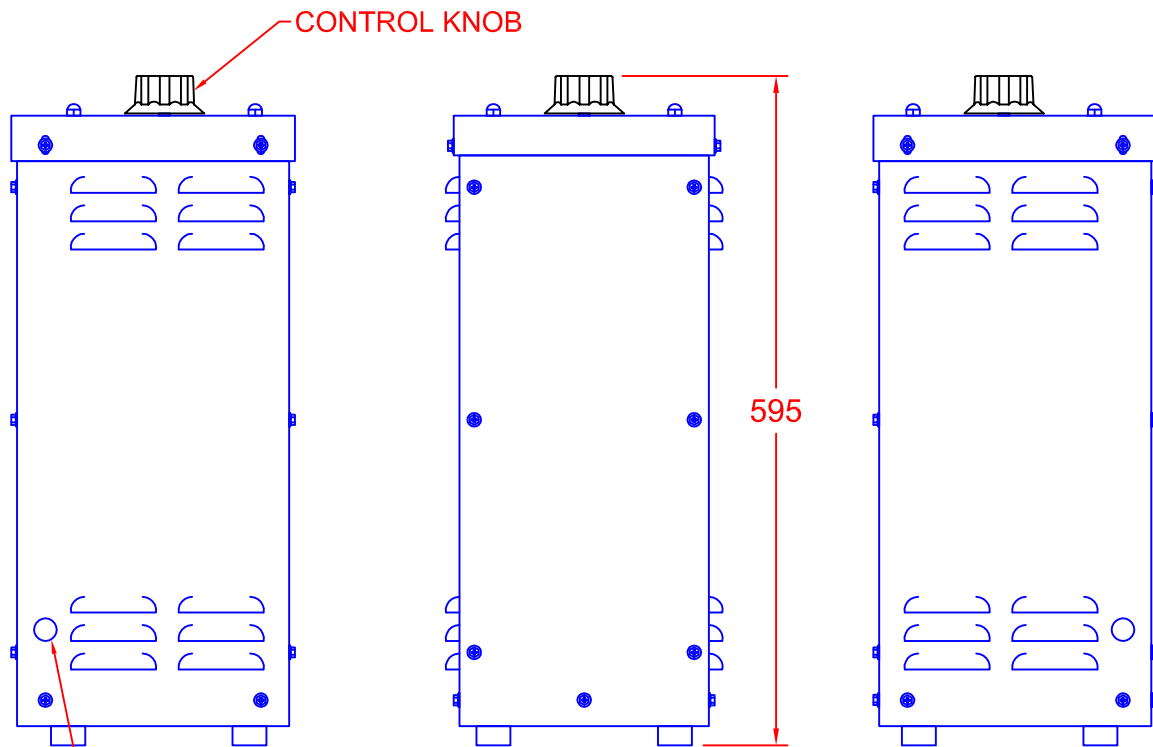
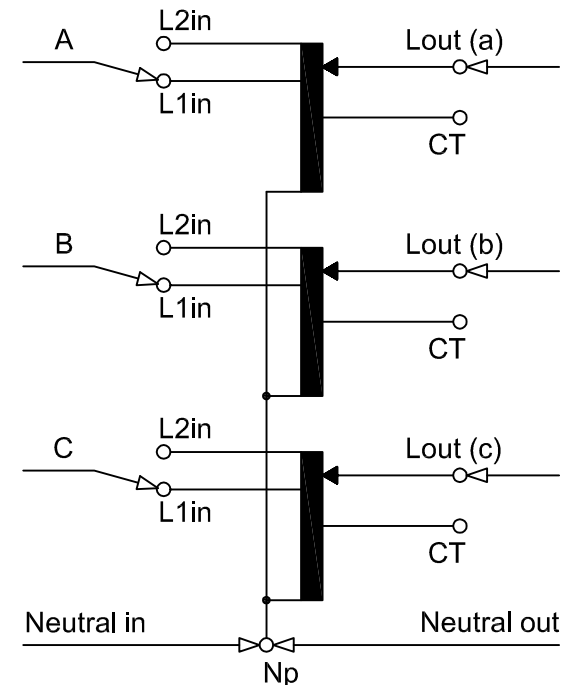
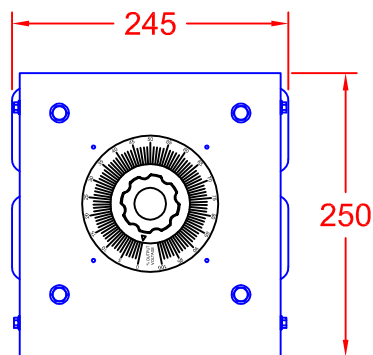


TOLERANCES (UNLESS SPECIFIED)	
0-10mm	±0.2mm
10.1-50mm	±0.5mm
50.1-250mm	±1.0mm
>250mm	±2.0mm



2 OFF Ø20  
GLAND HOLES  
INTERNAL TERMINALS



### THREE PHASE VARIABLE AUTOTRANSFORMER

MODEL: MVT4.2k/5A-3E  
INPUT: UP TO 415V, 50/60Hz  
OUTPUT: 0-100% OF INPUT (USE L2in)  
OR 0-112% OF INPUT (USE L1in)  
RATING: 4.2kVA AT 467V,  
5A MAX PER LINE  
TERMINATION: CLAMP TYPE, 0.5-4.0mm<sup>2</sup>

REV	DESCRIPTION
4	
3	
2	
1	

**CARROLL & MEYNELL**  
TRANSFORMERS LIMITED  
TEL: 01642 617406 FAX: 01642 614178  
enquiries@carroll-meynell.com

TITLE  
**VARIABLE TRANSFORMER  
ENCLOSED, 3 PHASE 5A**  
ALL DIMENSIONS IN mm

DRAWN	PROJECTION	DATE	SCALE
GB		15/07/16	NTS
DRAW No	REV	PAGE	
5821	0	1/1	