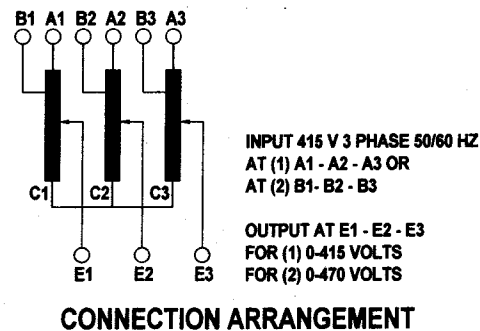


Type	Output Amps	A	B	C	D	E	WEIGHT KgS	Ø
CMV2E-3	2	150	200	330	125	155	15	7
CMV4E-3	4	200	250	425	165	215	30	9
CMV8E-3	8	200	250	425	165	215	36	9
CMV10E-3	10	200	250	425	165	215	38	9
CMV15E-3	15	250	300	445	210	280	55	11
CMV20E-3	20	250	300	445	210	280	58	11
CMV28E-3	28	350	400	545	295	395	85	11



3 PH ENCLOSED VARIABLE TRANSFORMERS INSTALLATION AND SAFETY INSTRUCTIONS

1. Read all of these instructions before you use the transformer.
2. This transformer is not designed to provide mains isolation.
3. Variable transformers operate at mains voltage.
DO NOT EXCEED THE MAXIMUM VOLTAGE AND CURRENT RATING.
4. Installation connection and maintenance should only be carried out by suitably qualified personnel.
5. When connected to the electrical supply the terminals, brushes and track face are at mains potential with a potentially lethal voltage.
6. The input must always be applied across the load.
Never connect the transformer in series with the load.
7. The carbon brush should be inspected for damage or wear, faulty or worn brushes will result in damage to the windings.
8. This transformer must be earthed using the earth studs provided.