

# Control- and safety isolating- resp. isolating transformer **STEU 100/24**



## Advantages

Dual input voltage 230 and 400 Vac
Very good switch-on behaviour thanks to reduced starting currents
High performance for the volume thanks to compact design
Primary side $\pm 15$ V tapplings for voltage adjustment
Very good corrosion protection and low noise thanks to BLOCKIMPEX vacuum impregnation
Quick to cable up thanks to the use of spring-loaded terminals
Contact protected screw connection terminals complying with UVV BGV A3
Simple mounting thanks to robust metal footplate with oval slots
Up to 250 VA with combination footplate for bolted and rail mounting

## Applications

As a control transformer for the electrical isolation of the input and output sides. The construction of the transformer to supply control systems according to VDE 0113 is designed.

As an isolating transformer for the safe electrical isolation of the input and output sides. The transformer may be used to set up protective separation as a protective measure in accordance with VDE 0100.

As a safety transformer for the safe electrical isolation of the input and output sides. The transformer is suitable for creating SELV and PELV circuits because of the limit on the output voltage.

## Standards



Control transformer  
to: VDE 0570 Teil 2-2, DIN EN 61558-2-2, EN 61558-2-2, IEC 61558-2-2,  
UL 5085-1/-2, CSA 22.2 No.66  
Safety isolating transformer  
to: VDE 0570 Teil 2-6, DIN EN 61558-2-6, EN 61558-2-6, IEC 61558-2-6, UL  
5085-1/-2, CSA 22.2 No.66

## Approvals

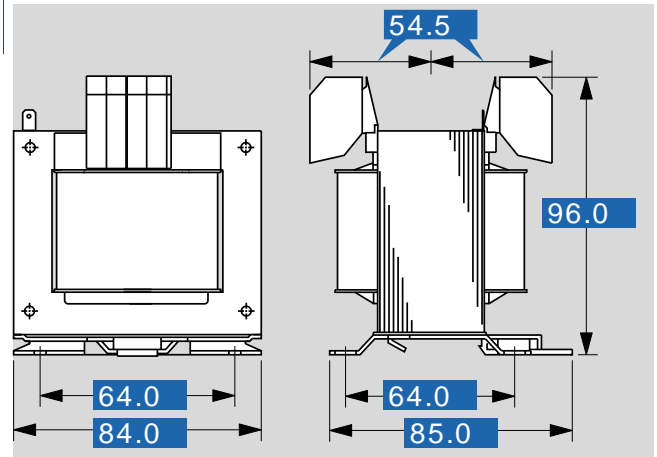




## Control- and safety isolating- resp. isolating transformer STEU 100/24

Type	STEU 100/24
<b>Electrical data</b>	
<b>Input</b>	
Rated input Voltage	230/400 Vac
Tappings Input	±15 V
Rated frequency	50 - 60 Hz
<b>Output</b>	
Rated output voltage	2 x 12 Vac
Rated power VDE (DB cos phi=1)	100 VA
Rated power VDE (KB cos phi=0.5)	310 VA
No-load voltage (app. x factor)	1.07
Efficiency	86 %
<b>Standards</b>	
Classification	Control- and safety isolating transformer
<b>Approvals</b>	
Approvals	cURus
<b>Environment</b>	
Ambient temperature max.	40 °C
Cooling method	self cooling
<b>Safety and protection</b>	
Type	open type
Class of Insulation System	VDE=B, UL=class 130
Protection index	IP 00
Safety class (prepared)	I
Short circuit strength	non-short-circuit proof
PRI Fusing recommendation by circuit breaker with tripping characteristic type 20 x I <sub>rated</sub> related to set)	
Setting range 230 ±15 Vac	0.40 - 0.63 A
Setting value 230 ±15 Vac	0.50 A
Setting range 400 ±15 Vac	0.25 - 0.40 A
Setting value 400 ±15 Vac	0.29 A
<b>Order numbers</b>	
<b>Order Number</b>	<b>STEU 100/24</b>

Type	STEU 100/24
<b>Mechanical data</b>	
<b>Terminal and mounting</b>	
Terminals	Spring terminal, PE 6.3 x 0.8
Fixing method	Dual purpose base plate also for installation on mounting rails
Fixing screws	M4
<b>Measures and weights</b>	
Weight	2.10 kg



Subjects to change.