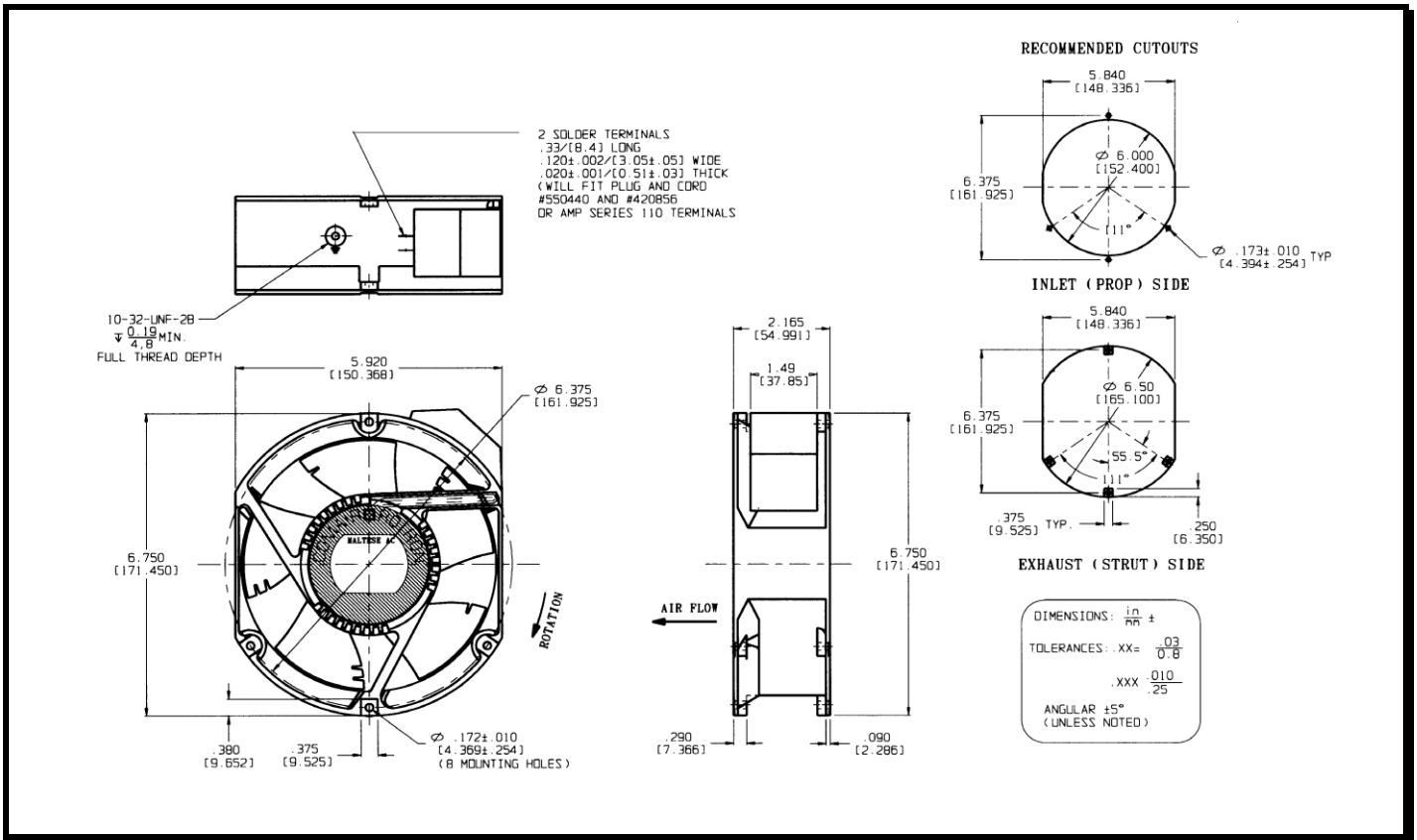


# SPECIFICATIONS



**Model Number:** MA77B3  
**Part Number:** 19031844A

Apr. 01, 2016



## Motor:

Nominal Voltage = 230 VAC  
 Frequency = 50 / 60 Hz  
 Nominal Running Current = 0.200 / 0.180 Amps  
 Max. Locked Rotor Current = 0.420 / 0.360 Amps  
 Running Power = 40.5 / 41.4 Watts  
 Average Speed = 2850 / 3400 RPM  
 Bearings = Ball  
 Air Flow = 250 / 300 CFM  
 Acoustic = 54/ 59 dBA

## Construction:

Venturi: Single piece Die-Cast Aluminum, Black  
 Propeller: Polycarbonate, Black, UL 94V-0.

## Life Expectancy:

This fan is designed for continuous duty life of 53,000 hours at 40°C.

## Additional Features:

Permanent Split Capacitor Motor  
 Automatic Reset Thermal Protector  
 Feathered Edge Propeller  
 Operating Temperature: -10°C to 70°C  
 Storage Temperature: -40°C to 85°C

## Termination:

2 Terminals

## Agency Approvals:

UL, CUL, CE