



SPECIFICATION FOR APPROVAL

CUSTOMER : _____

MODEL NO : 12038 (AC Fan)

PART NO : FA8B12-D1041G2AL

DATE : 2012.10.19

CUSTOMER APPROVAL

Taiwan ACT-RX TECHNOLOGY CORPORATION 2F, No.192, Lian Cheng Road, Zhonghe Dist., New Taipei City 235, Taiwan (R.O.C.)	TEL: 886-2-82421111 FAX: 886-2-82452200
---	--

Approved	QC	Checked	Checked	Prepared

CONTENTS

1. <u>SCOPE</u>	3
2. <u>ELECTRICAL</u>	3
3. <u>MATERIAL</u>	4
4. <u>MECHANICAL</u>	4
5. <u>EXPECTED LIFE SPAN (MTTF)</u>	4
6. <u>NOISE MEASUREMENT</u>	5
7. <u>RELIABILITY</u>	6
8. <u>PRODUCT LABEL</u>	6
9. <u>PERFORMANCE CHART</u>	7
10. <u>ASSEMBLY DIAGRAM</u>	8
11. <u>ORDERING AND OPERATING REMARKS</u>	9
12. <u>FAN PACKING DATA</u>	10

1. SCOPE

This document is a specification defining the electrical and mechanical characteristics of the product.

2. ELECTRICAL

Standard operating condition is 25°C, 65%RH ambient, unless otherwise specified.

	Item	Specification	Test Condition
1	Rated Voltage	100V ~ 240V	AC power supply
2	Rated Current	0.3 Amp (Typical)	AC power supply at Rated Voltage This is for Safety Regulation.
3	Starting Voltage	100V (Min.)	AC power supply
4	Insulation Resistance	10MΩ (Min.)	
5	Speed	2200 RPM ±10%	Measured at 5 minutes after starting under 25±5°C, 65± 5%RH ambient
6	Acoustical Noise	41.26 dB(A) (measurement tolerance ± 2 dBA)	Measured at typical speed with an acoustic microphone 1 meter away from the fan intake in a test chamber with background noise level below 18dB(A) under ISO-3745 Standard, refer to NOISE MEASUREMENT ITEM 7.
7	Static Pressure	4.23 mm-H ₂ O (0.17 inch-H ₂ O)	Refer to PERFORMANCE CHART ITEM 9 at zero airflow. This measurement is performed AMCA 210-99 Standard.
8	Air Flow	92.68 CFM (2.62CMM)	Refer to PERFORMANCE CHART ITEM 9 at zero static Pressure. This measurement is performed AMCA 210-99 standard.
9	Direction of rotation	Counter- anticlockwise	AC power supply, viewed from impeller.

3. MATERIAL

Impeller	PBT UL94-V0
Frame	PBT UL94-V0
Bobbin	PBT UL94-V0
Lead Wire	UL 3266
<input checked="" type="checkbox"/> V1 : Grey <input checked="" type="checkbox"/> V2 : Grey <input type="checkbox"/> : PWM <input type="checkbox"/> O/P: <input type="checkbox"/> White <input type="checkbox"/> Yellow	<input checked="" type="checkbox"/> 24 <input type="checkbox"/> 26 <input type="checkbox"/> 28

4.MECHANICAL

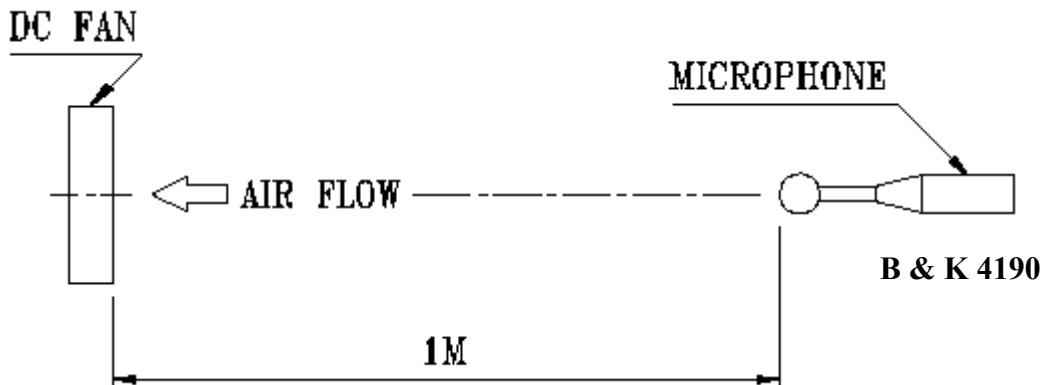
Dimensions	L * W * H =120*120*38 (mm)
Weight	270 grams
Standard operating temperature range	-10 °C ~ 75 °C
Standard storage temperature	-20 °C ~ 80 °C
Bearing system	<input checked="" type="checkbox"/> Two Ball Bearing <input type="checkbox"/> One Ball One Sleeve Bearing <input type="checkbox"/> Sleeve Bearing <input type="checkbox"/> Alloy Sleeve with Ceramic Shaft <input type="checkbox"/> Ceramic Bearing with Ceramic Shaft

5.EXPECTED LIFE SPAN (MTTF)

At a standard operating condition of 25±5°C, 65±5%RH ambient, the expected life(expressed as Mean Time To Failure) of products are evaluated under MIL-STD-781 Standard as below :

- Two Ball Bearing : 65000 hrs , Continuous operating under 25°C 65%RH
- One Ball One Sleeve Bearing : 50000 hrs , Continuous operating under 25°C 65%RH
- Sleeve Bearing : 30000 hrs , Continuous operating under 25°C 65%RH
- Alloy Sleeve with Ceramic Shaft : 300000 hrs , Continuous operating under 25°C 65%RH
- Ceramic Bearing with Ceramic Shaft : 500000 hrs , Continuous operating under 25°C 65%RH

6. NOISE MEASUREMENT :



Noise is measured under Rated Voltage in free air in the anechoic chamber with B & K Nexus 4350 conditioning amplifier, with B & K 4190 microphone at a distance of one meter from the fan intake. The background noise is 18dBA max under the ISO-3745 Standard.

7. RELIABILITY

	Item	Specification	Test Condition
1	Locked Rotor Test	Flameproof and damage free	Rotor locked for 72 hrs with Rated Voltage
2	Balance Test	No protruding beyond the circle within 10 seconds	The fan runs in a circle, scaled by fan radius plus 20mm, on a perfectly smooth plate for 10 seconds under the ISO 1940 G6.3 grade Standard.

8. PRODUCT LABEL

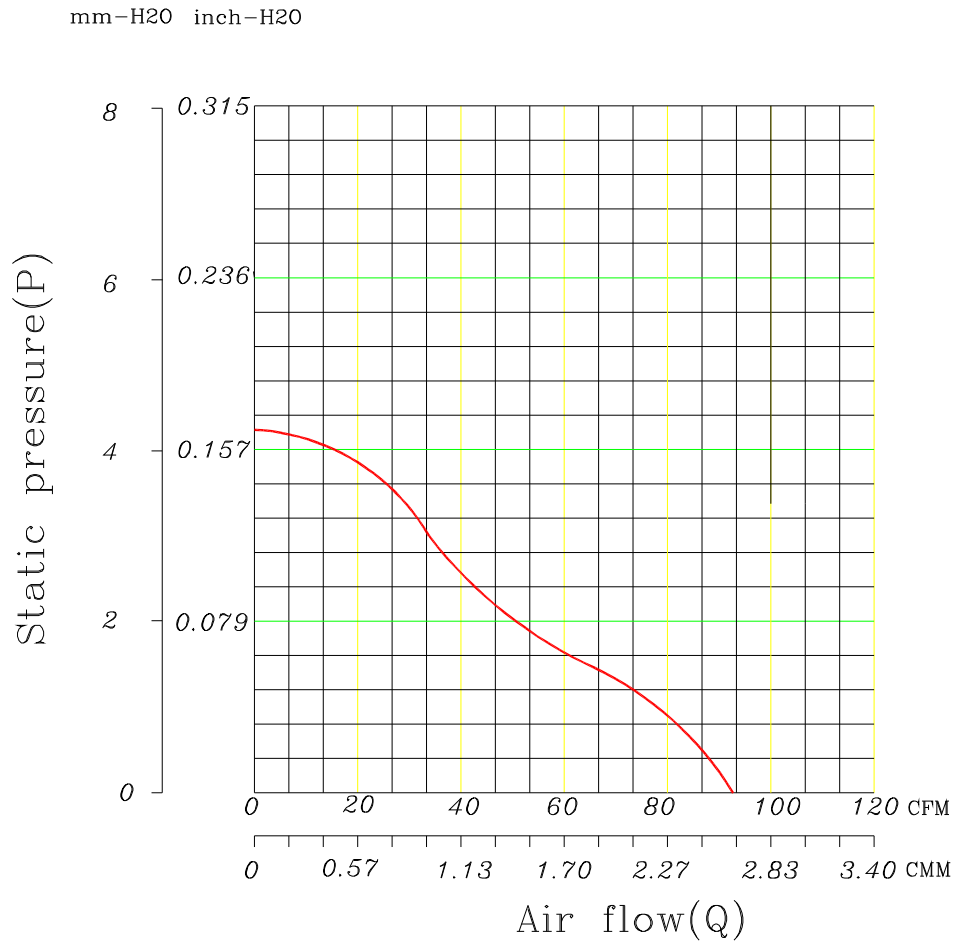


LABEA (φ 45)

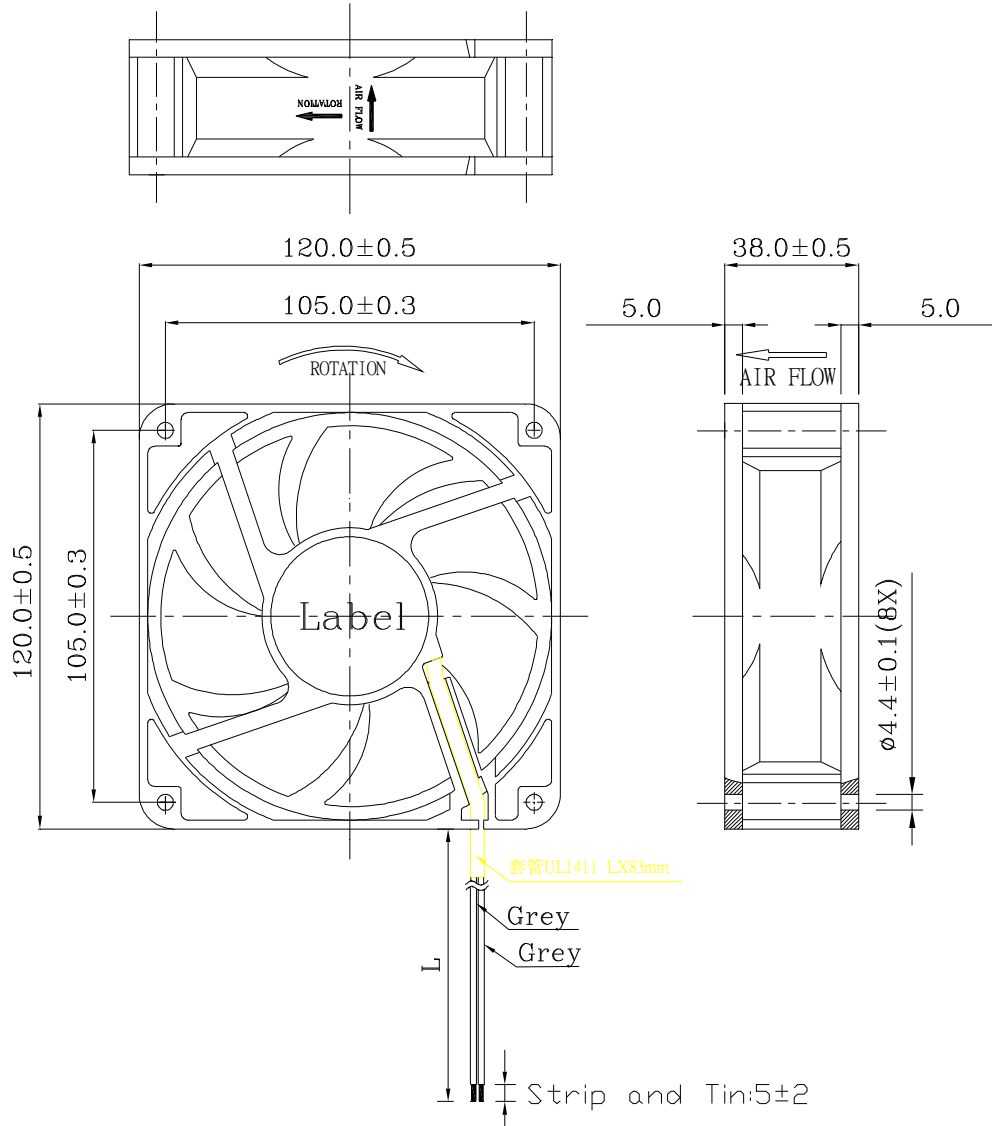
9. PERFORMANCE CHART

This measurement is according to the AMCA 210-99 Standard.

PQ curve for FA8B12-D1041G2AL under Rated Voltage.



10.ASSEMBLY DIAGRAM



General Dimension.Tolerances
(Unit:mm)

0-3	±	0.3
3-30	±	0.4
31-60	±	0.5
61-100	±	0.6
101 and Over	±	0.6
Angles	±	2°

Note :

1. L* : Lead wire length : 300 ± 10 mm (From frame edge)

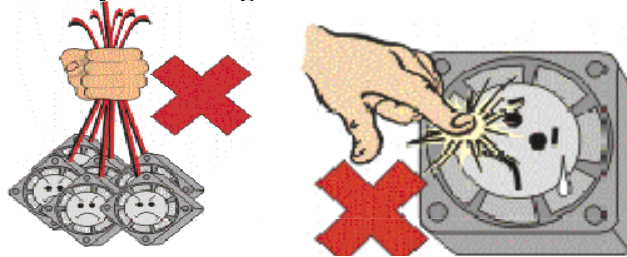
11. ORDERING AND OPERATING REMARKS

11.1 Please indicate Part No. on every order.

11.2 For those not specified but vital to your requirement, ACT-RX is in full position to supply qualified substitutes.

11.3 ACT-RX does not guarantee the product if applications exceed specified limitations.

11.4 Please do not touch the impeller and never carry the fan the lead wires. The bearings and the lead wires may be damaged.



11.5 Please do not use the fan in the environment of corrosive gas or liquid.

11.6 Please do not store the fan in the environment of high humidity. Please avoid storage of the fan over 6 months . For long term storage, please connect power to the fan shortly every 6 months even through the fan is stored in room temperature.

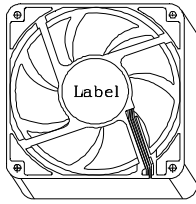
11.7 Improper use may lead to malfunction. To ensure normal operation, avoid dipping the fan into watery and oily liquid, or exposing it to heat, etc.

11.8 Please do not lock the rotor for those fan models without Auto Restart function during operation to prevent over heating which may cause permanent damage.

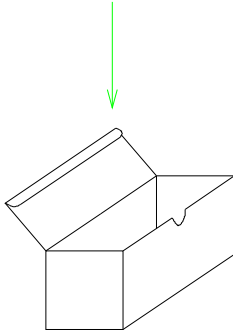
11.9 Warrantee period is 12 months max. under the environment condition IP-20 specified in IEC60529.

11.10 All specifications subject to change without prior notice.

12.FAN PACKING DATA

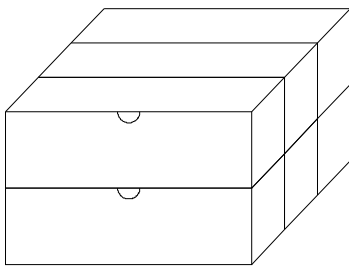


fan: 120mm*120mm*38mm

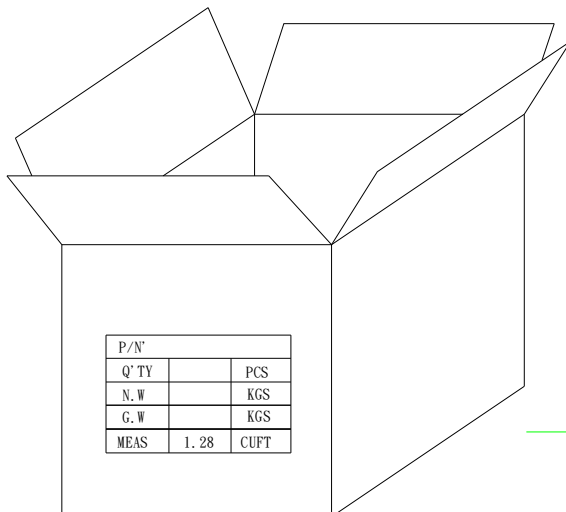


box: 270mm*126mm*145mm

7fans/box



7boxes
6fans*7=42fans



carton: 565mm*395mm*185mm

6boxes/carton

42fans/carton

