

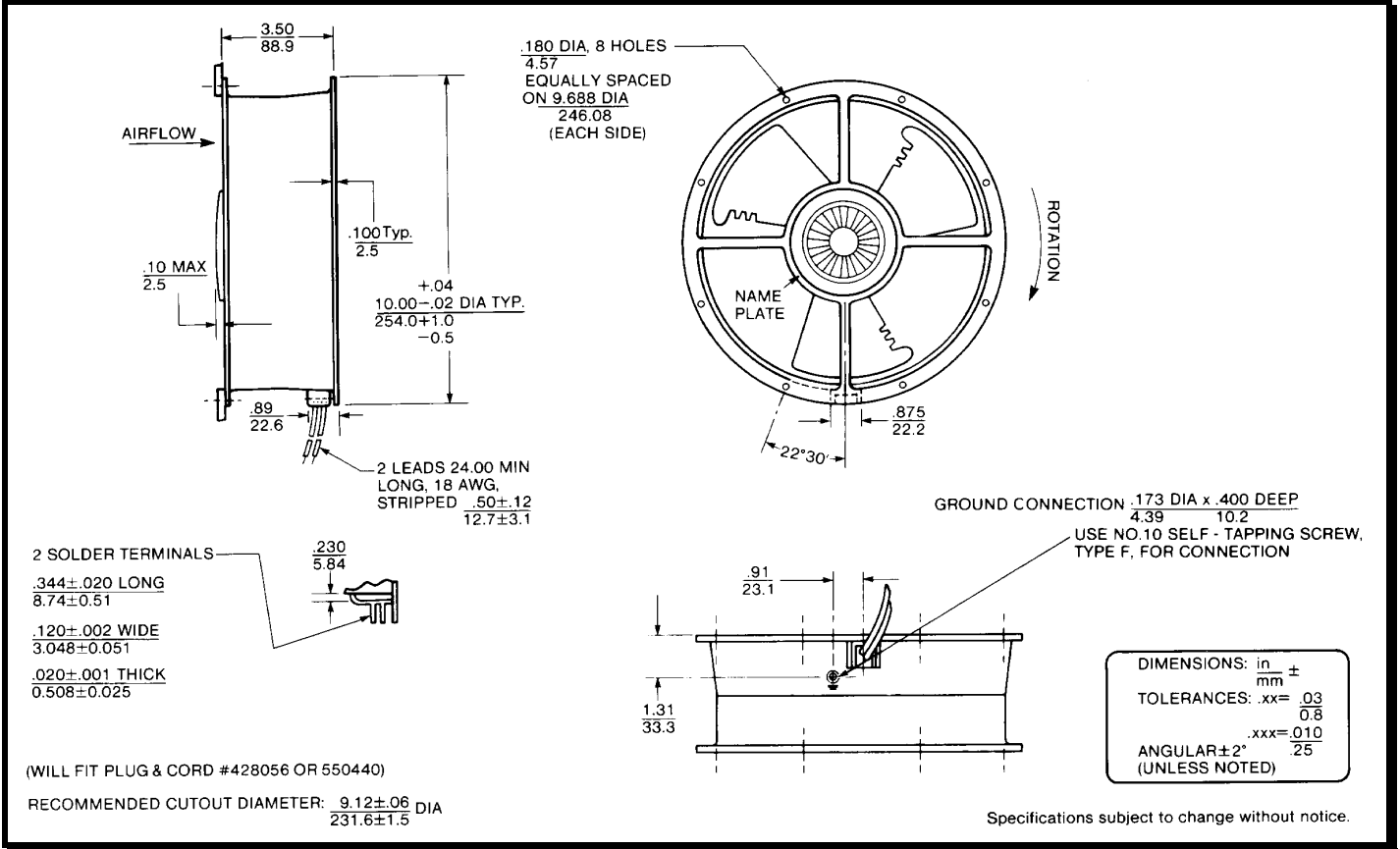
SPECIFICATIONS



Model Number: CLE3L5
Part Number: 19039306A

Apr. 01, 2016

Mechanical Drawing:



Motor:

Nominal Voltage = 230 VAC
 Frequency = 60 Hz
 Locked Rotor Current = 1.25 amps
 Nominal Running Current = 0.61amps
 Running Power = 110 watts
 Average Speed = 2400 RPM
 Bearings = Ball
 Air Flow = 825 CFM
 Acoustic = 60.0 dBA

Construction:

Venturi: Aluminum, Black.
 Propeller: Plastic, Black, UL 94V-0

Life Expectancy:

This fan is designed for continuous duty life of 54,000 hours at 40°C.

Additional Features:

Permanent Split Capacitor Motor
 Automatic Reset Thermal Protector
 Automatic Restart Capability
 Operating Temperature: -10°C to 70°C
 Storage Temperature: -40°C to 85°C

Termination:

24" Lead wires, 18 AWG, UL 1015

Agency Approvals:

UL, CE