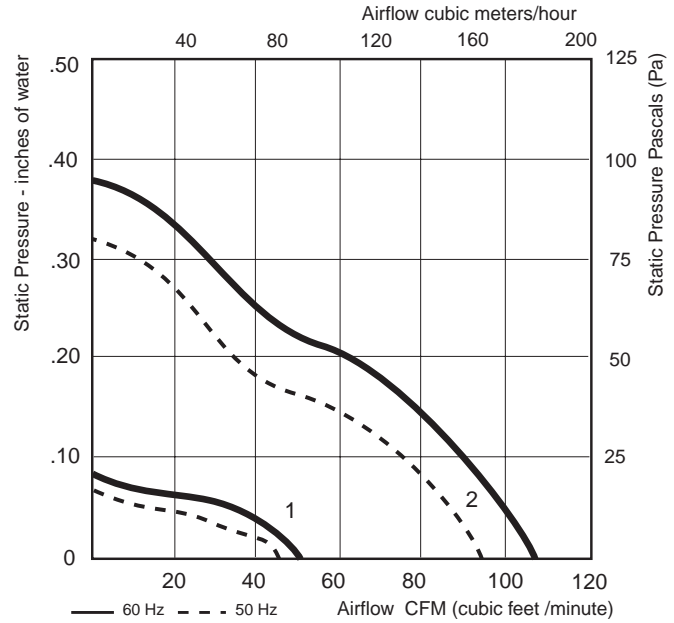
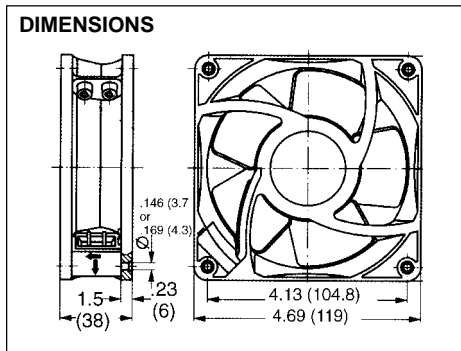


119 x 38mm (4.7" X 1.5") AC FAN

4000N & X Series

Terminals
Air Intake – Over Struts



AVAILABLE WITH:

HIGH PERFORMANCE
SINTEC
SLEEVE BEARING SYSTEM

4.69" X 4.69" X 1.50" AC Fan, All Metal, Air intake – Over struts

Curve	PART NUMBER	Type of Bearing	AC Volts	Hertz	Watts	CFM @ 0"	dBA	Temp. Max °C	Wgt. (oz)	Features	Approvals*		
											UL	CSA	VDE
1	4840N**	Sleeve	115	50/60	10	50	26	80	19	Terminals	√	√	√
1	4890N**	Sleeve	230	50/60	10	50	26	80	19	Terminals	√	√	√
2	4600N	Sleeve	115	50/60	18	106	50	60	19	Terminals	√	√	√
2	4600X	Sleeve	115	50/60	18	106	50	60	19	Terminals	√	√	√
2	4600XP	Sleeve	115	50/60	18	106	50	60	19	Terminals	√	√	√
2	4650N	Sleeve	230	50/60	18	106	50	60	19	Terminals	√	√	√
2	4650X	Sleeve	230	50/60	18	106	50	60	19	Terminals	√	√	√
2	4606N	Ball	115	50/60	18	106	51	90	19	Terminals	√	√	√
2	4606X	Ball	115	50/60	18	106	51	90	19	Terminals	√	√	√
2	4656N	Ball	230	50/60	18	106	51	90	19	Terminals	√	√	√
2	4656X	Ball	230	50/60	18	106	51	90	19	Terminals	√	√	√
2	4660N	Sleeve	115/230	50/60	18	106	51	60	19	22 AWG 12.2" Leads	√	√	√
2	4624N	Sleeve	24	50/60	18	106	50	60	19	Terminals	√	√	√

** 4840N and 4890N have air flow of air exhaust over struts.

NOTE: 4600XP has a 5 year warranty

* UL yellow card E38324, CSA file 27697, VDE file 6617 (4600), 4621 (4650, 4850), 9989 (4606/08)

CONSTRUCTION MOUNTING & CONNECTION	Mounting:	Either face using four .169" (4.3mm) holes (N versions) .146" (3.7mm) holes (X versions)	Weight:	19 ounces (550g)
			Housing:	Metal with metal impeller
			Connection:	Terminals, .118" x .02" (3.0 x .5mm)