

Product Data Sheet AC 4400 FNN

**ebmpapst**

The engineer's choice



AC 4400 FNN

INDEX

**1 General..... 3**

**2 Mechanics..... 3**

    2.1 General..... 3

    2.2 Connections..... 3

**3 Operating Data ..... 4**

    3.1 Electrical Operating Data ..... 4

    3.2 Electrical Features..... 4

    3.3 Aerodynamics..... 4

    3.4 Sound Data..... 4

**4 Environment ..... 4**

    4.1 General..... 4

    4.2 Climatic Requirements ..... 4

**5 Safety ..... 6**

    5.1 Electrical Safety..... 6

    5.2 Approval Tests ..... 6

**6 Reliability ..... 6**

    6.1 General..... 6

## 1 General

Fan type	Fan	
Rotating direction looking at rotor	Counterclockwise	
Airflow direction	Air outlet over struts	
Bearing system	Ball bearing	
Mounting position - shaft	Any	

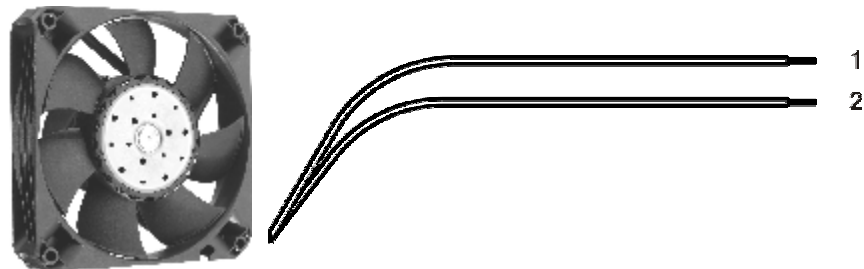
## 2 Mechanics

### 2.1 General

Width	119,0 mm	
Height	119,0 mm	
Depth	58,0 mm	
Mass	0,370 kg	
Housing material	Plastic	
Impeller material	Plastic	

### 2.2 Connections

Electrical connection	Wires	
Lead wire length	L = 450 mm	
Tolerance	+ - 10,0 mm	
Tube length	S = 15 mm	
Tolerance	+ - 5 mm	
Wire size (AWG)	22	
Insulation diameter		



Wire	Color	Operation
1	black	L1
2	black	L2

### 3 Operating Data

#### 3.1 Electrical Operating Data

#### 3.2 Electrical Features

#### 3.3 Aerodynamics

Measurement conditions: Measured with a double chamber intake rig.  
 Normal air density = 1,2 kg/m<sup>3</sup>; Temperature 23°C +/- 3°C;  
 In the intake and outlet area should not be any solid obstruction within 0,5 m.  
 The information is only valid under the specified test conditions and may be changed by the installation conditions. If there are deviations from the standard test conditions, the characteristic values must be checked under the installed conditions.

#### 3.4 Sound Data

Measurement conditions: Sound pressure level: 1 meter distance between microphone and the air intake.  
 Sound power level: Acc. to DIN 45635 part 38 (ISO 10302)  
 Measured in a semianchoic chamber with a background noise level of Lp(A) < 5 dB(A)  
 For further measurement conditions see section 3.5

### 4 Environment

#### 4.1 General

Min. permitted ambient temperature TU min.	-20 °C	
Max. permitted ambient temperature TU max.	70 °C	
Min. permitted storage temperature TL min.	-40 °C	
Max. permitted storage temperature TL max.	80 °C	

#### 4.2 Climatic Requirements

Humidity requirements	humid heat, constant; according to DIN EN 60068-2-78, 14 days	
Water exposure	None	
Dust requirements	None	
Salt fog requirements	None	

Permitted application area:

The product is intended for use in sheltered rooms with controlled temperature and controlled humidity. Directly exposure to water must be avoided.

Pollution degree 1 (according DIN EN 60664-1)

There is either no pollution or it occurs only dry, non-conductive pollution. The pollution has no negative impact.

Please require severity levels and specification parameters from the responsible development departments.

**5 Safety**

**5.1 Electrical Safety**

**5.2 Approval Tests**

CE	EC Declaration of Conformity	Yes
EAC	Eurasian Conformity	Yes
UL	Underwriters Laboratories	Yes
VDE	Association for Electrical, Electronic and Information Technologies	Yes
CSA	Canadian Standards Association	No
CCC	China Compulsory Certification	Yes

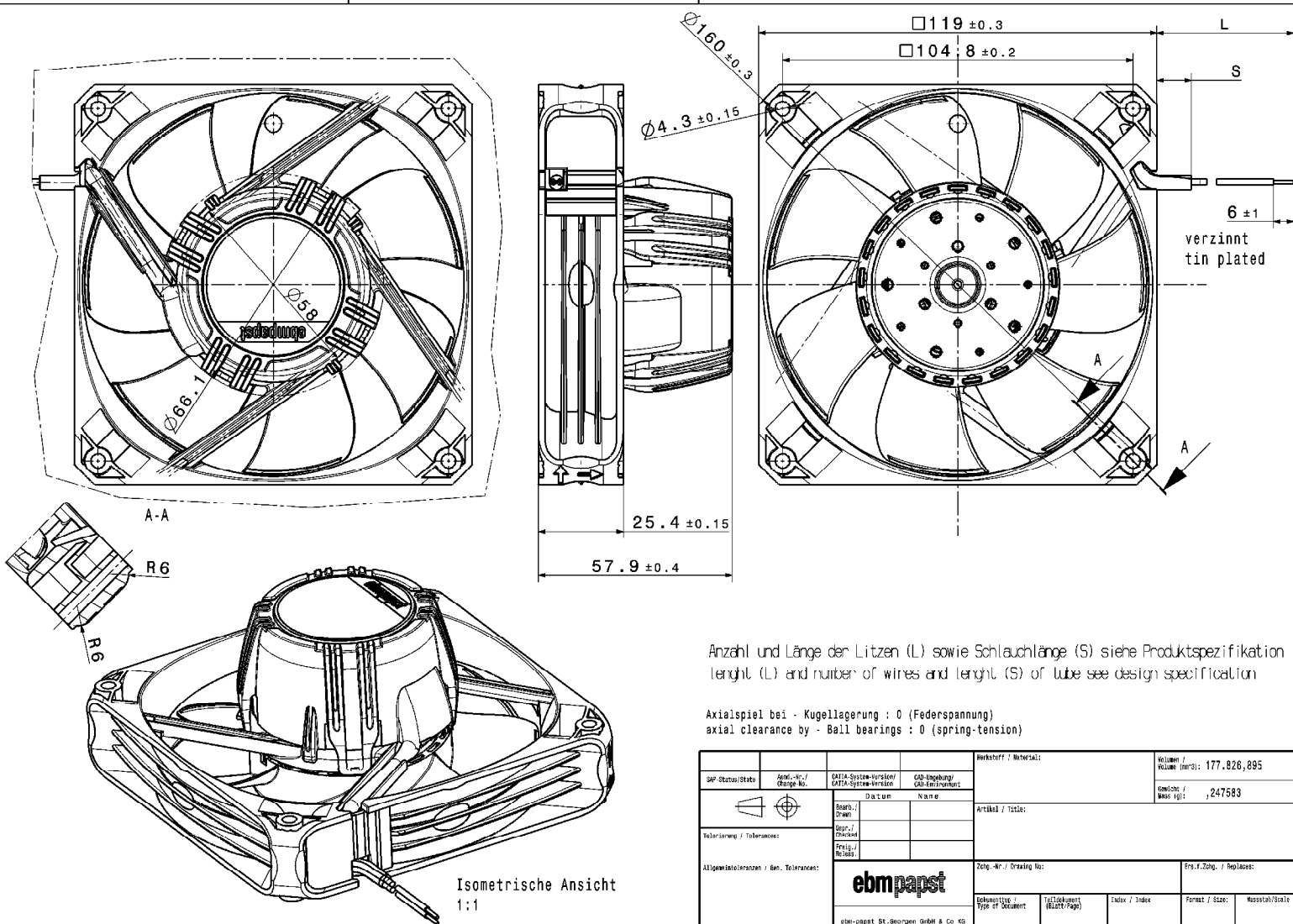
**6 Reliability**

**6.1 General**

Life expectancy L10 at TU = 40 °C	60.000 h	
Life expectancy L10 at TU max.	30.000 h	
Life expectancy L10 acc. to IPC 9591 at TU = 40 °C	102.500 h	

Copyright of this document, and drawing, is owned and the use or communication of the contents thereof, are forbidden without express authority. Offenders are liable to the payment of damages. All rights are reserved in the event of the print or a partial or the reproduction of a utility model, or design.

Schwermetalle nach DIN EN 1831 beschränkt!  
Refer to prebilled notice EN 1831 B06!



Anzahl und Länge der Litzen (L) sowie Schlauchlänge (S) siehe Produktspezifikation  
length (L) and number of wires and length (S) of tube see design specification

Axialspiel bei - Kugellagerung : 0 (Federspannung)  
axial clearance by - Ball bearings : 0 (spring-tension)

DW-Status/Status		Rev.-Nr. / Change No.	DATA-System-Version/ DATA-System-Version	GD-Umgebung/ CAD-Environment	Werkstoff / Material:	Volumen / Volume (cm <sup>3</sup> ): 177.826,895	
Datum		Name		Artikel / Title:		Gewicht / Mass (kg): ,247583	
Tolerierung / Tolerances:		Bepr. / Checked		Zug.-Nr. / Drawing No.:		Ers.f.Zug. / Replaces:	
Allgemeintoleranzen / Gen. Tolerances:				Schwermetalle / Type of Document		Format / Size: Masштаб/Scale	
		eber-papst St. Georgen GmbH & Co KG		Tafelnummer / (Sheet/Page)		Index / Index	