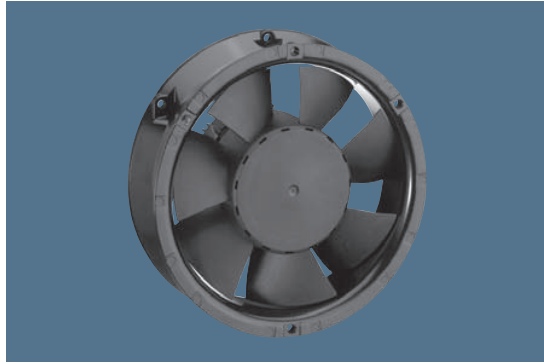


max. 350 m³/h

ACmaxx axial fans

Series AC 6200 N 172 ø x 51 mm



Highlights:

- Universally suitable for all AC voltages between 85 and 265 V, 50-60 Hz.
- Fan speed independent of power frequency.
- Significantly reduced power consumption compared to conventional AC fans.
- Open loop speed control, sensor and alarm signal possible on request.

General attributes:

- Material: aluminium housing, fibreglass-reinforced PA impeller. Housing with grounding lug for screw M4 x 8 (Torx).
- Fully integrated electronic commutation.
- Protected against locking.
- Connection via single strands AWG 22, TR 64. Bared and tin-plated.
- Air exhaust over struts. Direction of rotation counter-clockwise, seen on rotor.
- Mass: 900 g.

Nominal data	Air flow	Air flow	Nominal voltage	Frequency	Voltage range	Sound pressure level	Sound power level	Sinter sleeve bearings Ball bearings	Power input	Nominal speed	Temperature range	Service life L ₁₀ at 40 °C	at T _{max}	Curve
Type	m ³ /h	CFM	V	Hz	VAC	dB(A)	Bel(A)	■ / ■	Watts	RPM	°C	Hours	Hours	
AC 6200 NM	350	206,0	115 / 230	50 / 60	85 ... 265	50	5,7	■ / ■	14	2 850	-20...+70	80 000 / 40 000		1

Speed variants available on request.

