

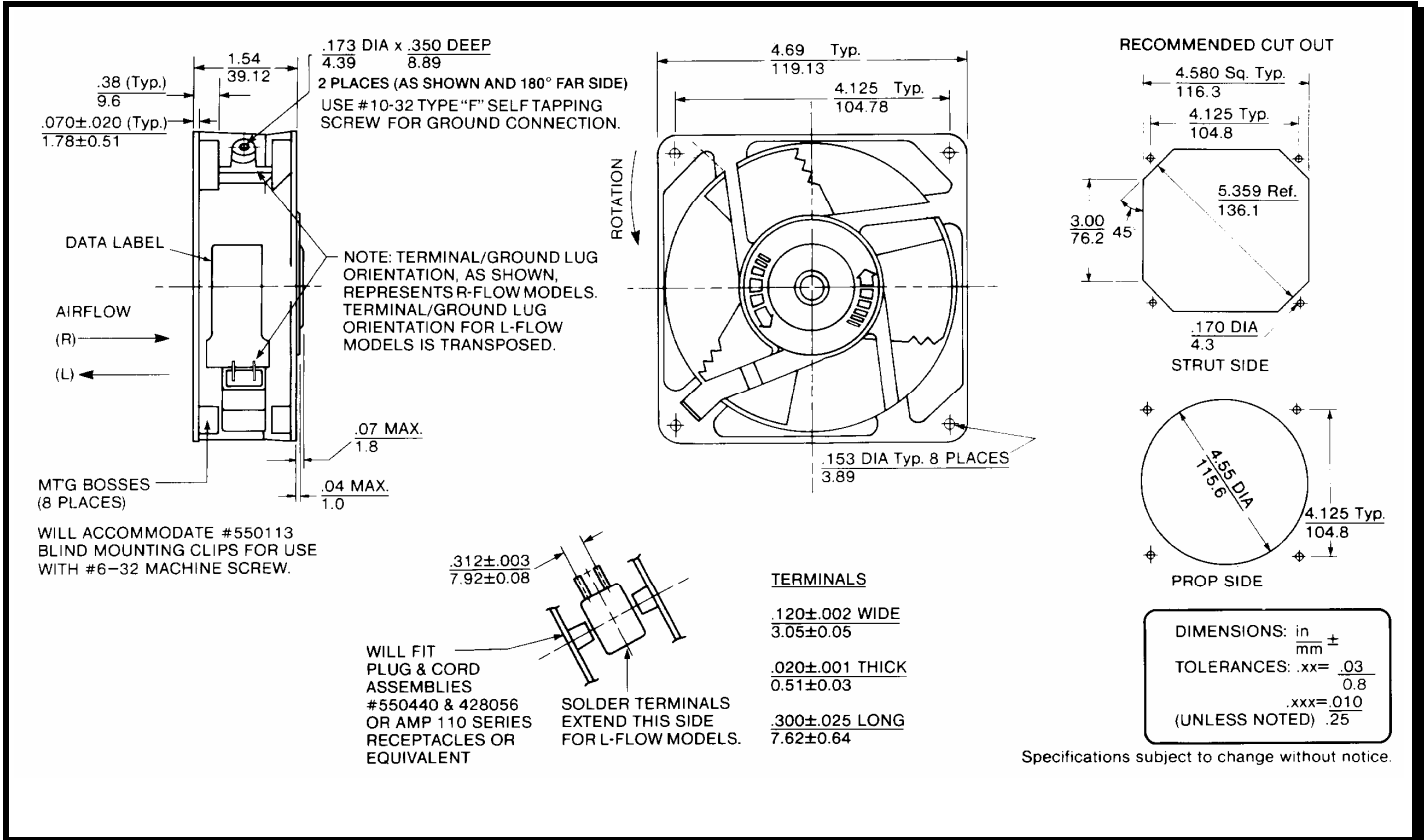
SPECIFICATIONS



Model Number: MX3A3
Part Number: 028324

June 16, 2006

Mechanical Drawing:



Motor:

Nominal Voltage	= 220/230 vac
Frequency	= 50/60 Hz
Nominal Running Current	= .20 / .18 amps
Locked Rotor Current	= .26 / .24 amps
Running Power	= 17/ 16 watts
Average Speed	= 2700/3100 RPM
Bearings	= Sleeve
Air Flow	= 98/115 CFM
Acoustic	= 45.6 / 50.0 dBA

Construction:
 Venturi: Zinc Alloy, Black.
 Propeller: Plastic, Black, UL 94V-0

Life Expectancy:
 This fan is designed for continuous duty life of 55,000 hours at 40°C.

Additional Features:
 Shaded Pole Induction Motor
 Impedance Protected
 Feathered Edge Propeller

Operating Temperature:	-28°C to 70°C
Storage Temperature:	-40°C to 85°C

Termination:
 0.120" Terminals

Agencies:
 UL, CSA, VDE, CE