

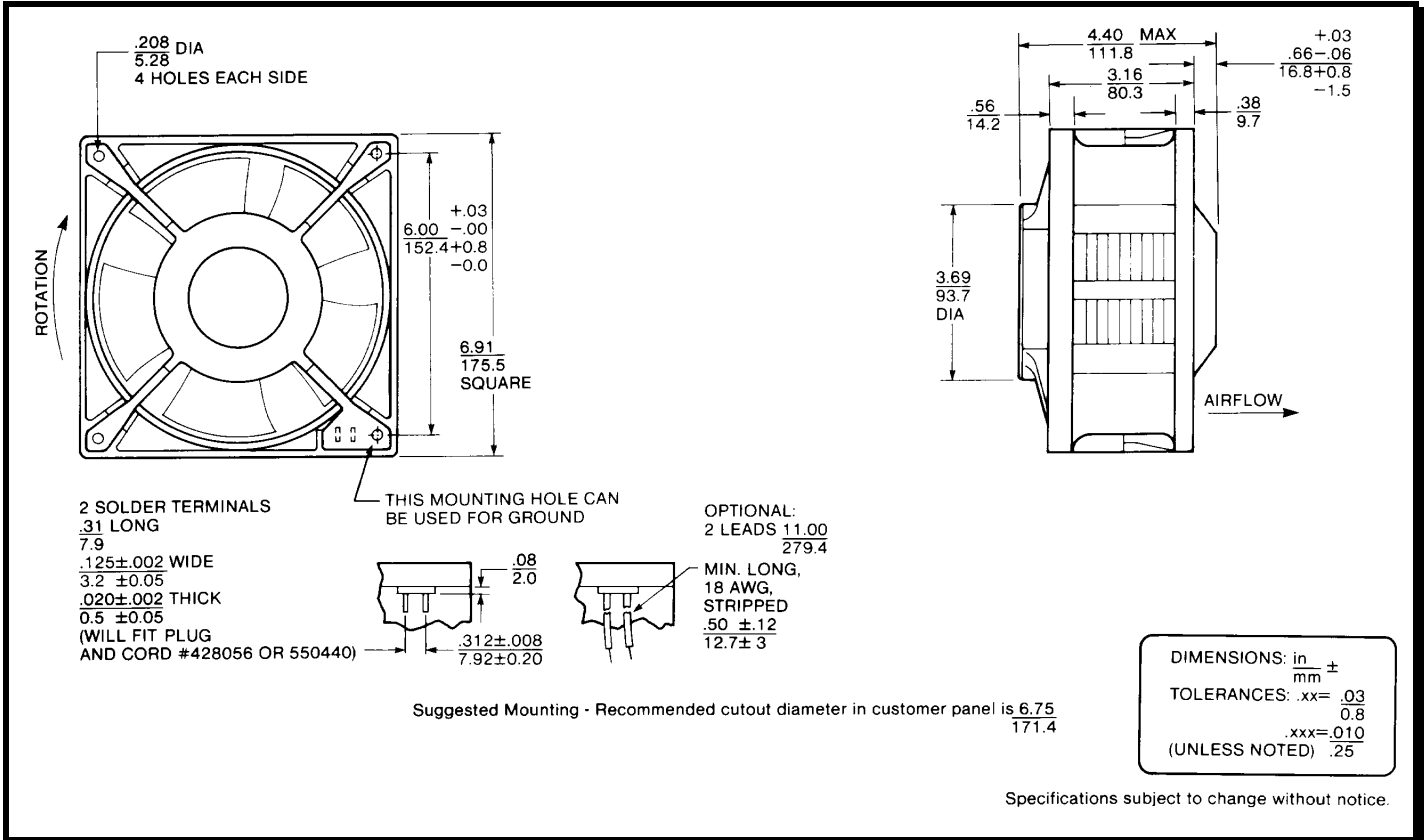
SPECIFICATIONS



Model Number: TNE3A
Part Number: 19020172A

Apr. 01, 2016

Mechanical Drawing:



Motor:

Frequency	= 50/60 Hz
Nominal Voltage	= 220/230 VAC
Nominal Running Current	= 0.260 Amps
Max. Locked Rotor Current	= 0.650 Amps
Running Power	= 59 Watts
Average Speed	= 3470 RPM
Bearings	= Ball
Air Flow	= 280/340 CFM
Acoustic	= 61.6/65.4 dBA

Construction:

Venturi: Plastic, Black, UL 94V-0
 Propeller & Cover: Plastic, Black, UL 94V-0

Life Expectancy:

This fan is designed for continuous duty life of 25,000 hours at 40°C.

Additional Features:

Permanent Split Capacitor Motor
 Automatic Reset Thermal Protector
 Locked Rotor Protection
 Operating Temperature: -10°C to 70°C
 Storage Temperature: -40°C to 85°C

Termination:

Two blade terminals

Agencies:

UL, CE