

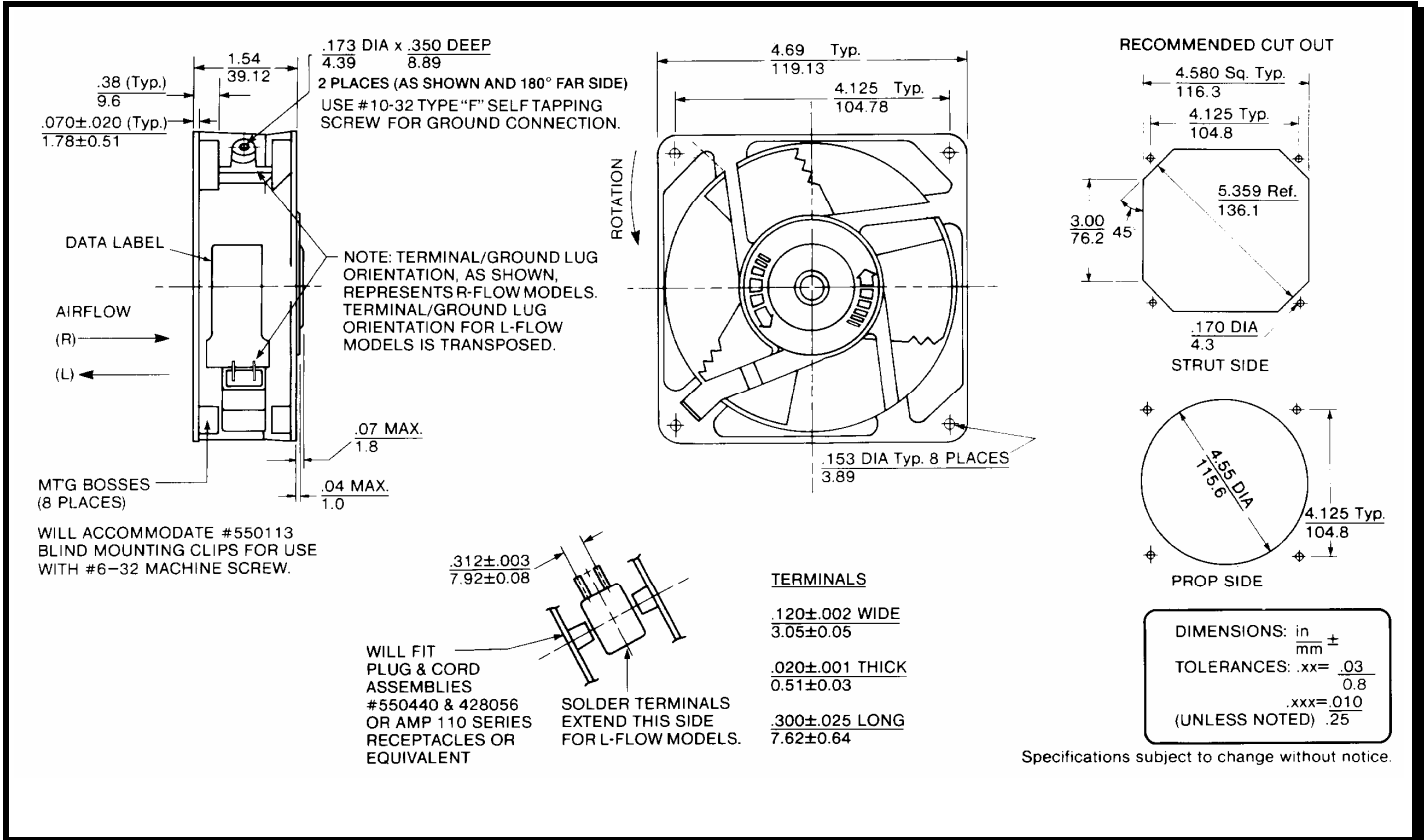
SPECIFICATIONS



Model Number: MX3A1
Part Number: 028326

May 5, 2006

Mechanical Drawing:



Motor:

Nominal Voltage = 220/230 VAC
 Frequency = 50/60 Hz
 Nominal Running Current = 0.10 / 0.09 amps
 Locked Rotor Current = 0.14 / 0.12 amps
 Running Power = 17 / 16 watts
 Average Speed = 2700 / 3100 RPM
 Bearings = Sleeve
 Air Flow = 92 / 108 CFM
 Acoustic = 43.8 / 47.9 dBA

Construction:

Venturi: Zinc Alloy, Black.
 Propeller: Plastic, Gray, UL 94V-0

Life Expectancy:

This fan is designed for continuous duty life of 55,000 hours at 40°C.

Additional Features:

Shaded pole induction motor
 Automatic Restart Capability
 Impedance Protection
 Operating Temperature: -10°C to 70°C
 Storage Temperature: -40°C to 85°C
 Right Flow Propeller

Termination:

0.120" Wide Terminals

Agency Approvals:

UL, CSA, VDE, CE