

EPIC H-A Heavy Duty Connectors

Available complete metric kits pre-assembled or as individual parts, HA connectors are type tested to **10A, 440V a.c.** and include the following features :

- Choice of body material in 3 and 4 way versions. Durable lightweight metal alloy or fibre glass reinforced thermoplastic resin
- Plastic version available in grey or black where stated
- 10, 16, 32 & 48 way available in metal alloy
- Screw terminals with wire protection leaves accept cables up to 2.5mm². Contacts are hard silver plated copper alloy
- Plug and socket inserts are interchangeable allowing appliance inlet (fixed plug) and free cable mounting socket arrangements. A separate earth connection is made through all inserts
- Cable mounting types include compression glands which will seal circular cables to IP55 and IP65 protection (see technical specification for details)
- Although of compact physical size this range is also rated to 250V a.c. working for group C

Approvals: UL listed, CSA certified, SEV

Dimensions: 3 and 4-way (plastic and metal)

10 and 16 way

	A	B	C	D	E	F	G	H	gland size
10 way	53	63	76	48	64	76	70	81	PG16
16 way	58	79	92	64	80	92	86	96	PG21
³ / ₄ way	see drawings above								PG11

32/48 way - gland size PG29

	A	B	C	D	E	F	G	H
32 way	75	82	56	102	94	42	57	26
48 way	95	93.5	90	124	110	65	79	30

technical specification

Working voltage (plastic and 10/16/32/48 way metal body) 440V ac
 Metal 3 and 4 way 48V ac (max)
 Test voltage 2kV ac
 Contact resistance with screw termination <2mΩ
 Working current (A) at ambient
 Temperature (T_{amb}) 2.5mm² wire

T _{amb}	3/4 way	10 way	16 way	32 way	48 way
40°C	10A	10A	10A	10A	10A
60°C	10A	10A	10A	10A	9A
80°C	10A	9A	7.5A	6A	4A

Temperature range -40°C to +125°C
 Insulation group VDE 0110 group B
 Environmental rating:
 3/4 way IP54
 10,16,32 and 48 way IP65

H-A 3 & 4 Way Panel Mount Kits - Metal Body

Contact Connectors



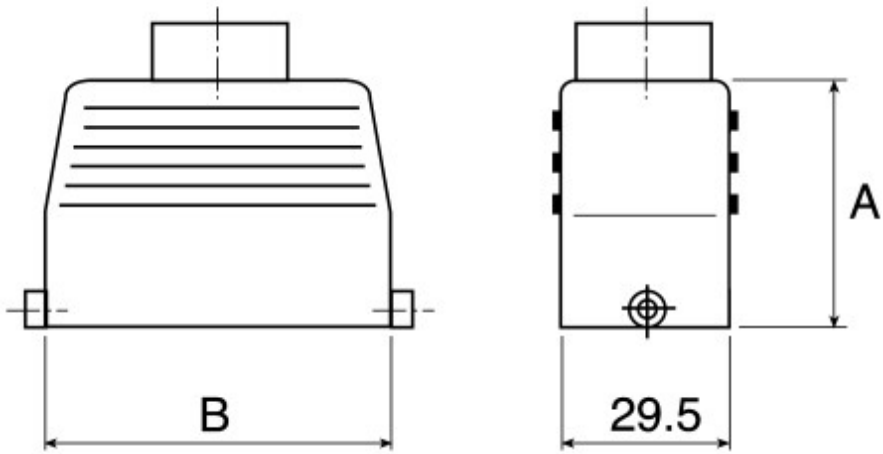
- Complete metric kits
- Top entry hoods
- Panel mount, surface mount & coupler bases
- Male and female screw termination inserts
- Metric threaded cable glands

Selection Guide						
Stock No.	Contact Part No.					
	Hood	Base	Insert1	Insert2	Gland	G/size
396-1582	19.4265	10.4225	10.4200	10.4210	Supplied	M20
396-1605	19.4265	10.4235	10.4200	10.4210	Supplied	M20
396-1611	19.4265	10.4225	10.4310	10.4320	Supplied	M20
396-1627	19.4265	10.4235	10.4310	10.4320	Supplied	M20

× = 1

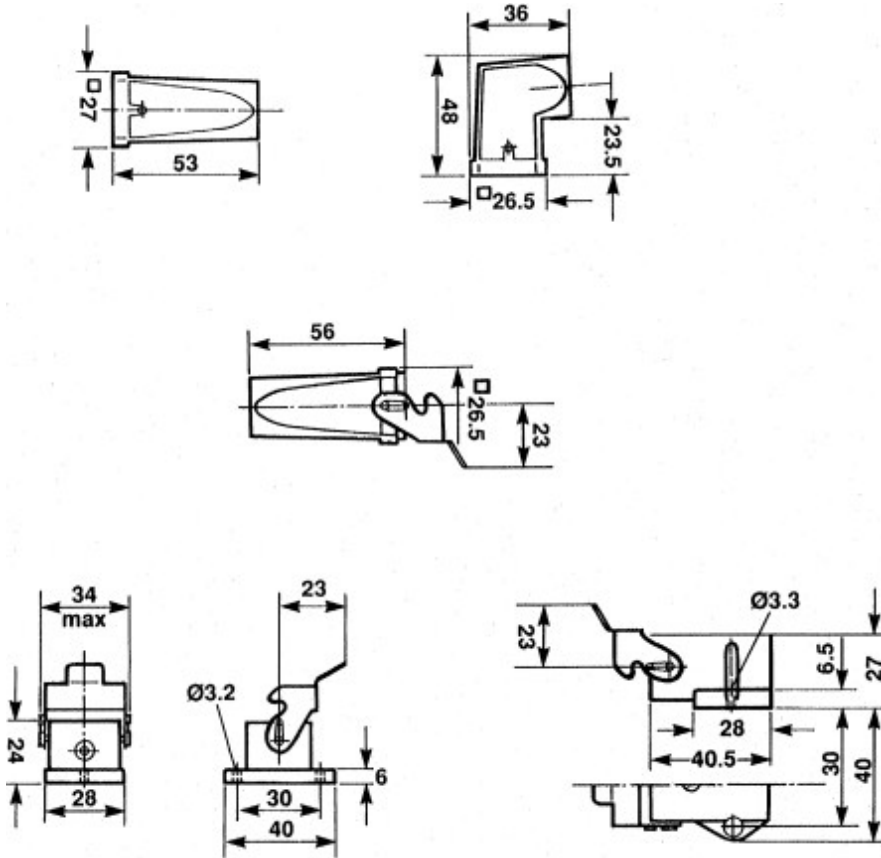
	stock no.
H-A panel mount metric kit	
3 way top entry	396-1582
3 way top entry side entry base	396-1605
4 way top entry	396-1611
4 way top entry side entry base	396-1627

Cable plug, top entry



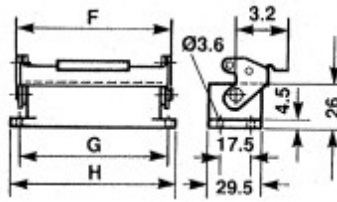
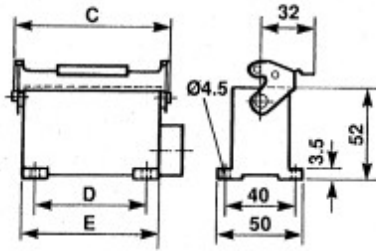
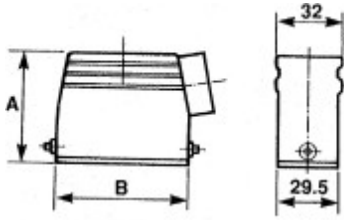
K

Dimensions: 3 and 4-way (plastic and metal)



K

10 and 16 way



32/48 way - gland size PG29

