

Connector Fits a 7.5 mm



NECTOR S Line lighting components

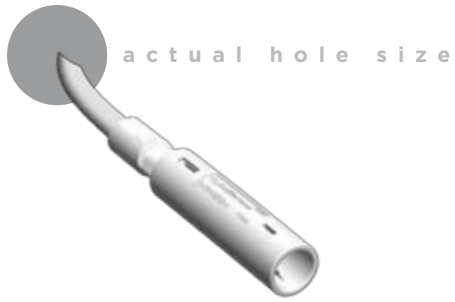
Flexible solutions for your lighting designs

 **Tyco Electronics**

Our commitment. Your advantage.



The lighting industry is always changing. It is constantly in pursuit of more energy-efficient products with longer life-spans that can be used in different places under different circumstances. **Tyco Electronics can assist developers, designers and innovators in gaining a head start in this competitive industry.** For over 60 years we have worked with lighting industry leaders providing them with strong competitive advantages. Today, with over 500,000 part numbers, we are a leader in passive electronic components. Tomorrow we can apply our expertise to your design and development programs.



NECTOR S Line

The Nector S Line connector is a small, power-to-luminaire connector designed to meet the lighting industry's need for a compact, easy-to-install interconnect solution. This 7.5 mm connector can easily fit in an 8 mm opening compared to other connectors that require much larger openings. The Nector S Line connector is ideal for applications where a power connection and coupling between lamps is needed. Targeted applications include lighting wiring in offices, kitchens, bathrooms, display cabinets, mountable lightings, shop and household furniture.

Whether it's showing you our value-added solutions or designing a new product; our commitment to advanced engineering and world-class manufacturing delivers innovation to advance your lighting project.

connector Fits a 7.5 mm

seeing

is believing

Lighting solutions that increase sales

Products need to stand out

Every product deserves the best presentation possible. Not only in a photograph used for an advertisement, but in its display at a store, a product fair or in the reseller's showroom. Most of the lighting featured in such product presentations should showcase the product in the most optimal way.

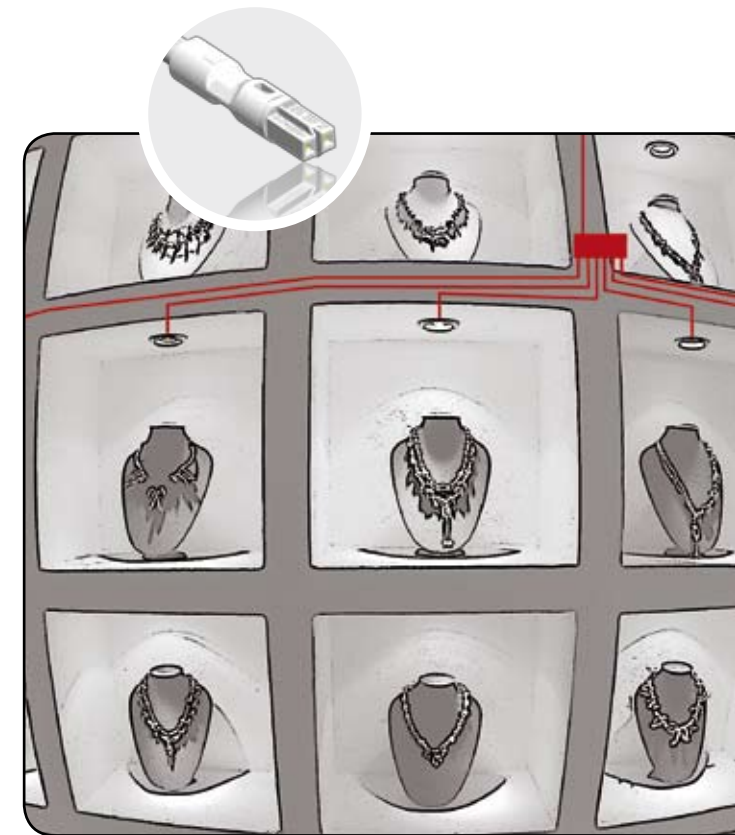
THE PROBLEM : An unreliable lighting connection can lead to light failure, which in turn can lead to poor product presentation.

OUR SOLUTION : A **reliable** lighting fixture with a proven connector system.

THE END RESULT : A **flexible**, high-quality fixture that provides more value through an integrated connector system.

We can make your product stand out

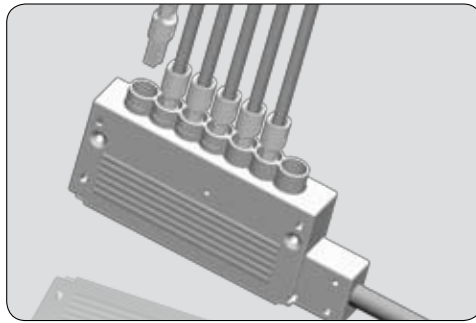
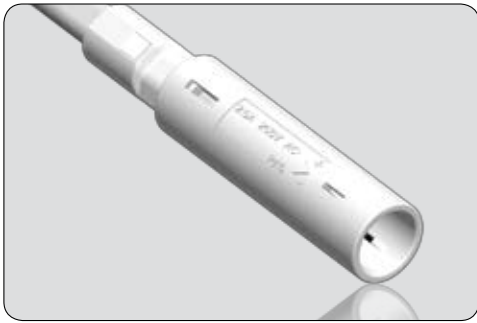
Now you can have a plug-and-play interconnection system that easily conducts power anywhere. With the NECTOR S Line connector, you are no longer limited by the size and shape of a connector. The small, smart wiring solution can make the presentation of any product outstanding.



- Expand the power system and easily split power for two lamps
- Splitter has the function to switch power
- LEDs can be placed in the series using a splitter



Plug-and-play principle.



It's easy and reliable.

Easy. Fast. Compact.

It's our job to make lighting connectors easy to use and fast to implement. The compact NECTOR S Line connector allows you to think freely with your lighting design as its flexibility enables you to move fixtures around product displays for optimum lighting without worrying about any practical implications.

Our connectors can make your lighting visualizations a reality.



Fits a 7.5 mm connector

lighting as you



imagined it

Flexible solutions with every design.

The creative use of light sources

Every interior designer knows what proper lighting can do to a room, a desk or a cabinet. It can set a room's ambiance, tone a wall color, or apply an accent on just the right spot. Your wiring can be just as **flexible** as your imagination.

Just give us 8 mm

If you give us an opening as little as 8 mm, the NECTOR S Line connector can fit there. You can power your lights just about anywhere: in a cabinet, inside kitchen furniture or in a headboard. The connector is easy to use, fast to implement and small enough to fit almost anywhere.

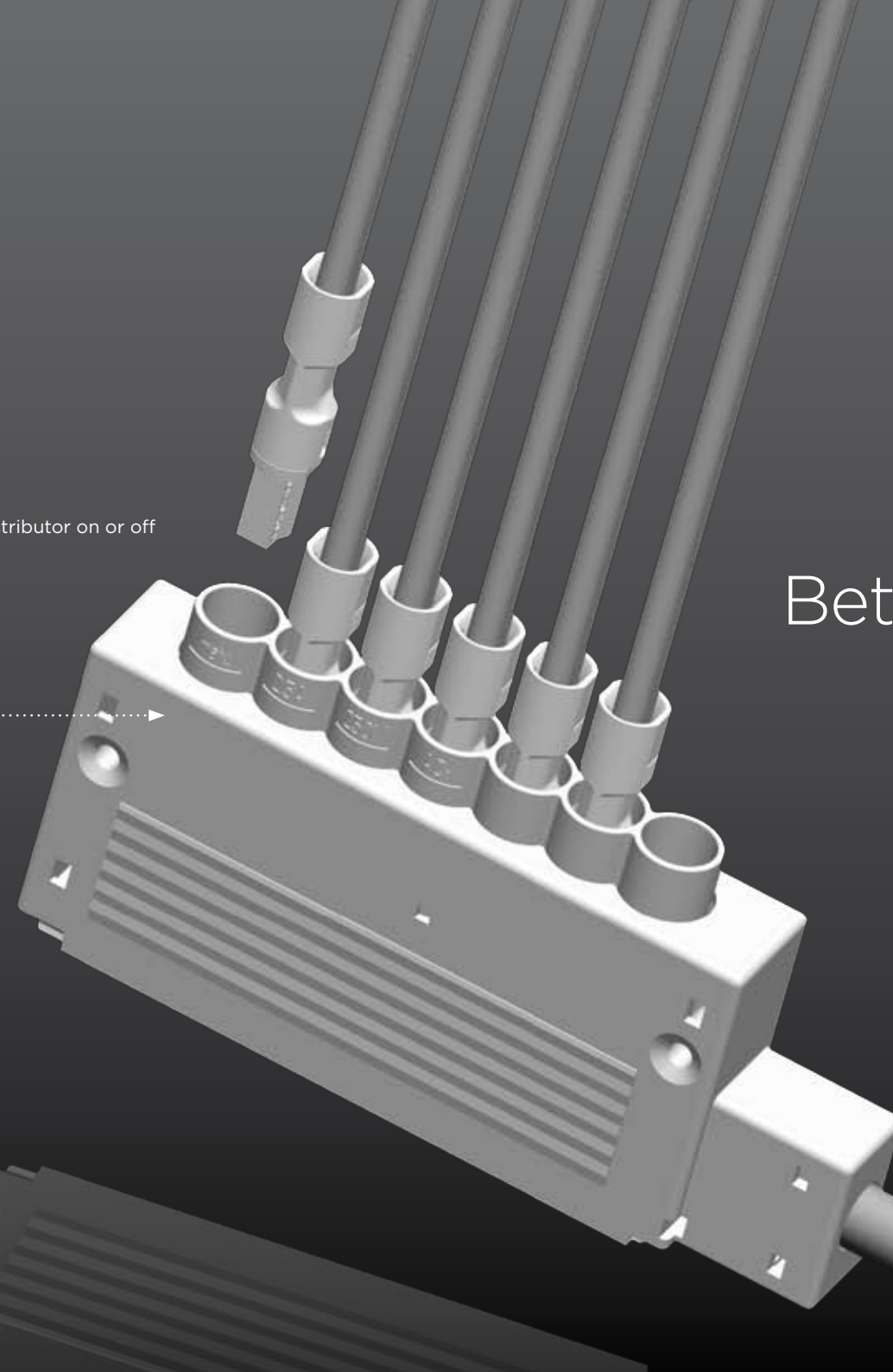


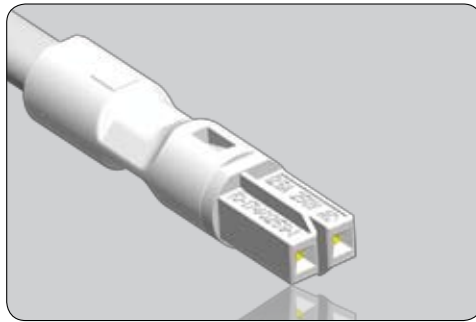
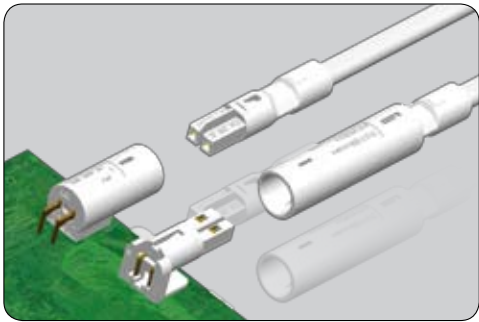
Fits a 7.5 mm
connector



Better Atmosphere.

- Six-way splitter to power six lamps
- Optional switch function to switch distributor on or off

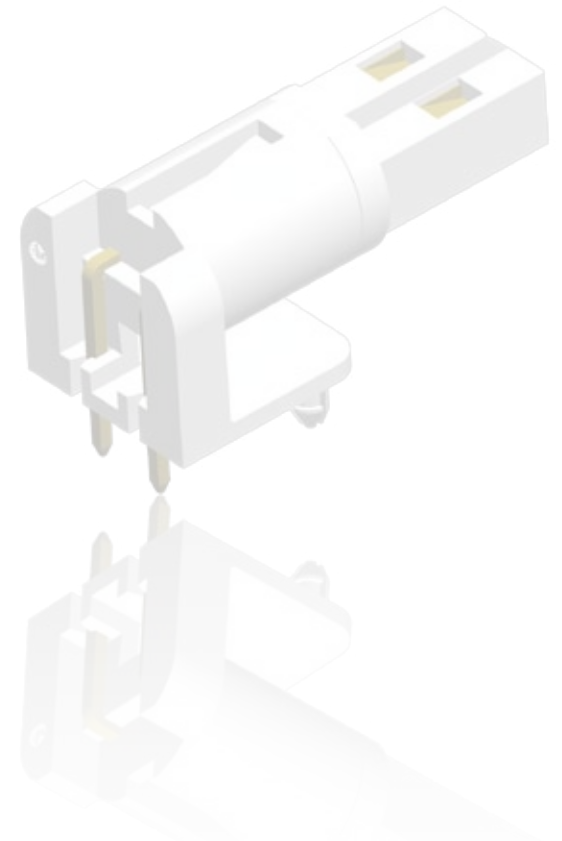




Electricity where you need it.

It's the little things

The overall atmosphere of any interior lighting design can change because of a 7.5 mm connector. Those few millimeters can give you unparalleled freedom to power your lights. Whether it is 250V, 125V or a low voltage, the plug-and-play connector can expand a lighting system beyond its wall outlet.



connector Fits a 7.5 mm

small connectors,

optimal connectivity

Freedom in energy distribution.

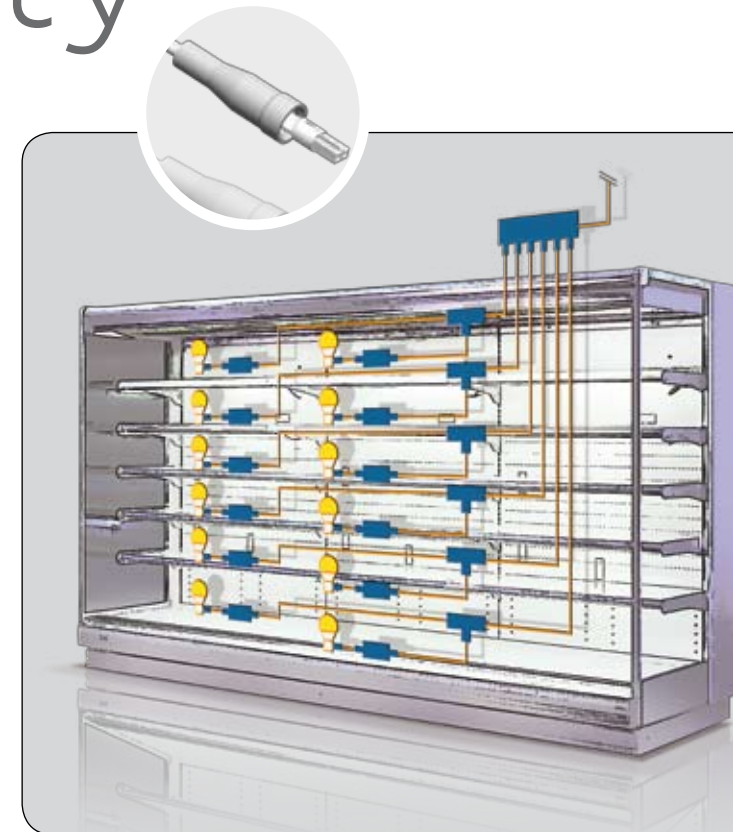
Less use of space, energy, and design equals better lighting installations.

With the development of LEDs, lighting fixtures are now smaller in size and the possibilities of lighting are expanding. The NECTOR S Line connector can power small fixtures that are designed to fit into almost any space.

Our connector goes places

Well balanced lighting inside a refrigerator or freezer system can increase sales. Products are more noticeable, more appealing and consequently they sell better. When you use the NECTOR S Line connector to power the lights inside your current conventionally-lit freezer or refrigerator case, you have the flexibility to quickly and easily change to a new LED lighting system.

In refrigerator or freezer applications, the sealed NECTOR S Line connector is easy to use. In both new and retrofit installations, its small size makes it almost invisible. The sealed NECTOR S Line connector system includes a range of easy-to-install, flexible products specifically designed for commercial refrigeration and freezer systems.

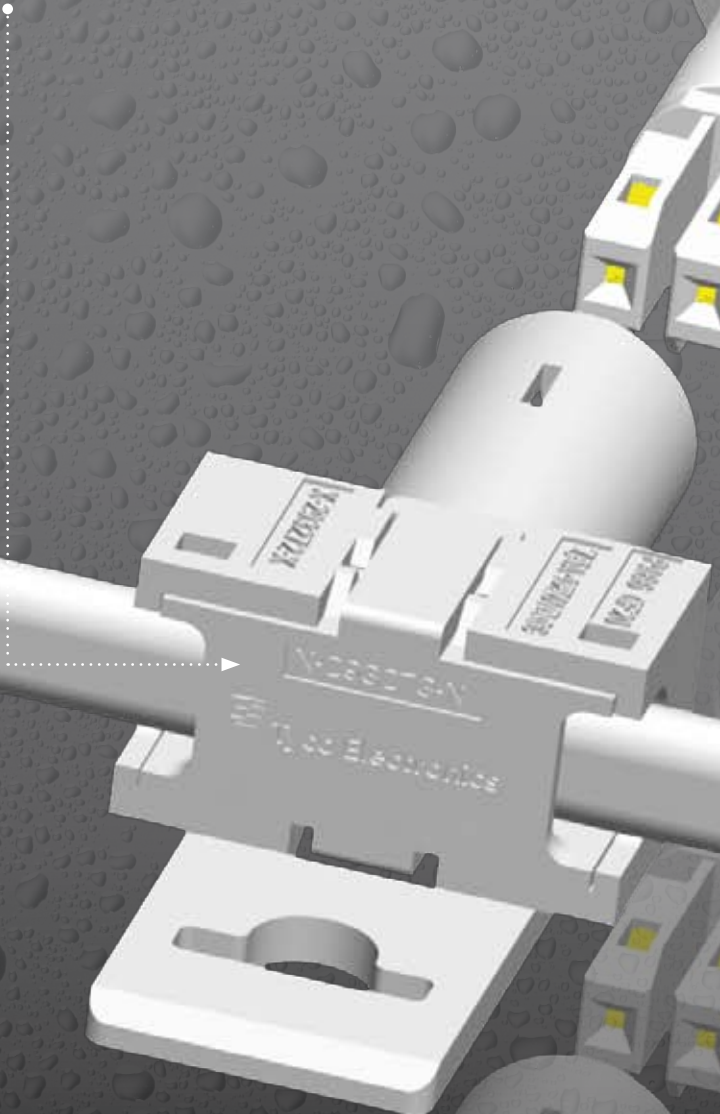


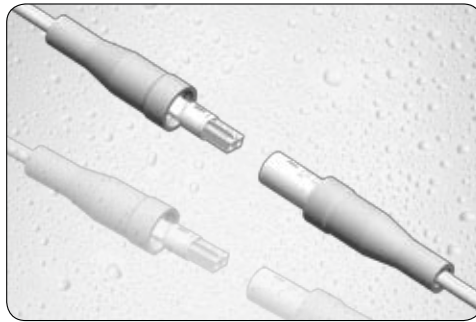
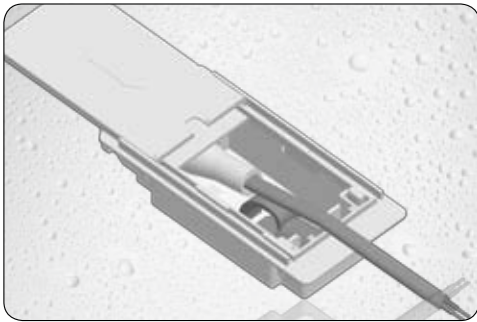
Fits a 7.5 mm
connector

- Bus bar can be placed anywhere on the cable
- Multiple bus bars can be placed on the cable
- Sealed bus bar and sealed plug provide IP67 protection



Displays in a whole new light.





Upgrade your inventory.

What you see is what you get

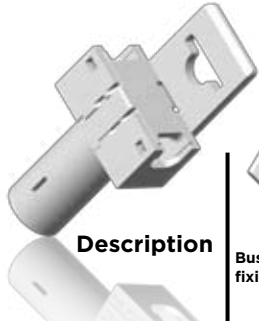
Customers want to take a good look at the products they are about to purchase. Supermarkets and department stores pay close attention to their overall use of lighting to ensure that the products on their shelves are noticeable. With refrigeration and freezer systems, good lighting is never easy to achieve. New systems are equipped with interior lighting that is optimized. Retrofitting an existing lighting system is a costly operation often not done unless other upgrades are needed.

Upgrade now

When you use the NECTOR S Line connector to retrofit the lighting inside your current system, you have the opportunity to use the latest in interconnect and lighting technology. Not only will the products on your shelves look and sell better, but your store will look better too!



Standard components



Housing Color ● Black ○ White ○ Light Grey ● Yellow ● Blue T Transparent ● Red

Description	Bus Bar with fixing hook	Bus Bar without fixing hook	Splitter	Outlet PCB Connector straight version	Outlet PCB Connector 90° version	Plug PCB Connector straight version	Plug PCB Connector 90° version	Chassis Mount Frame panel thickness 0.5 mm to 1.5 mm	Chassis Mount Housing Support needed with frame	Panel Mount Outlet	Wall Outlet Assembly	Wall Outlet Frame Assembly	Blind Rubber Boot	IP67 Boot to be used on plug outlet
250 VAC HV-1 Max. 2.5 Amp.	293300-1 ○	293300-3 ○	293234-3 ○	293313-1 ○	293315-1 ○	293308-1 ○	293311-1 ○	293302-1 ○	293303-1 ○		293285-1 ○	293286-1 ○	293275-1 ●	293284-1 T
	293300-2 ●	293300-4 ●	293234-9 ●	293313-2 ●	293315-2 ●	293308-2 ●	293311-2 ●					293286-2 ○		
	293270-1 ¹ ○	293270-3 ¹ ○		293313-9 ³ ○	293315-6 ³ ○							293286-3 ●		
	293270-2 ² ○	293270-4 ² ○		1-293313-0 ³ ○	293315-7 ³ ○									
250 VAC HV-2 (switch) Max. 2.5 Amp.			293235-3 ○	293313-8 ●	UL 293652-1 ○	293308-4 ●	293311-4 ●	293302-1 ○	293303-1 ○		293285-1 ○	293286-1 ○	293275-1 ●	293284-1 T
			UL 293649-1 ○	UL 293653-1 ○		UL 293655-1 ○	293654-1 ○					293286-2 ○		
												293286-3 ●		
125 VAC HV-3 Max. 6 Amp.			293234-4 ●	293313-3 ●	293315-3 ●	293308-3 ●	293311-3 ●	293302-1 ○	293303-1 ○		293285-1 ○	293286-1 ○	293275-1 ●	293284-1 T
			UL 293650-2 ○	UL 293653-2 ○	UL 293652-2 ○	UL 293655-2 ○	UL 293654-2 ○					293286-2 ●		
42 VAC LV-1 Max. 7 Amp.	293300-9 ○	1-293300-0 ○	293234-7 ○	293313-4 ○	293315-4 ○	293308-5 ○	293311-5 ○	293302-1 ○	293303-1 ○		293285-1 ○	293286-1 ●	293275-1 ●	293284-1 T
												293286-2 ○		
												293286-3 ●		
42 VDC LV-2 Max. 7 Amp.	1-293300-1 ●	1-293300-2 ●	293234-8 ●	293313-5 ●	293315-5 ●	293308-6 ●	293311-6 ●	293302-1 ○	293303-1 ○	293224-5 ○	293285-1 ○	293286-1 ○	293275-1 ●	293284-1 T
		1-293300-5 ⁴ ○	UL 293650-4 ○	UL 293653-5 ○	UL 293652-5 ○	UL 293655-5 ○	UL 293654-5 ○			293224-6 ●		293286-2 ○		
										UL 293648-2 ○		293286-3 ●		

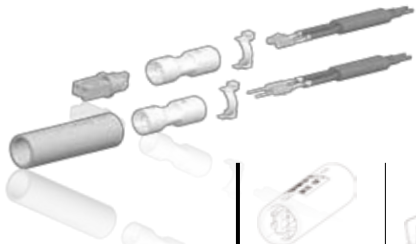
1 : gell-filled 2 : gell filled, end run 3 : gold plated contact 4 : end run

NECTOR S Line Product details

Fits a 7.5 mm connector

Loose piece components

NECTOR S Line is acc IEC 60320. For more technical specifications go to tycoelectronics.com/lighting



TOOLING	
Handtool for LP Crimp contacts (complete tool)	2-1579004-2
Handripper for Crimphead + Crimphead for LP Crimpcontacts (both parts needed)	2-1579005-1 3-1579021-8
Applicator for ST Crimpcontacts	9-541803-2
To be used on machine	1725950-6
Handtool for ring clip	3-1579002-1
Contact Extraction tool	1-1579007-4

Description	Oulet Housing to be used with pin contacts	Pin Contact	Tube HO3 VVH2	Ring Clip	Tube SVT Style Cable UL	Tube SPT-2 Style Cable UL	Plug Housing IEC 60320 to be used with socket contacts	Socket Contact	6 Way Distributor Body UL style body SVT UL style body SPT-1	7 Way Distributor Body UL style body SVT UL style body SPT-1	Cover UL style body SVT UL style body SPT-1	Coding Ring To be used on the switch
250 VAC HV-1 Max. 2.5 Amp.	1740262-1 ○	1740335-1 (unplated) ○	1740260-1 ○	1740261-1 ○	293359-1 ○	293358-1 ○	1740259-1 ○	1740336-1 (unplated)	1740317-1 ○	1740317-2 ○	1740315-2 ●	1740316-1 ●
	1740262-2 ●	1740335-4 (tin plated) ○	1740260-2 ●	1740261-2 ●			1740259-2 ●	1740336-4 (tin plated)	1740317-3 ●	1740317-4 ●	1740515-1 ○	
	UL 293387-1 ○	1740335-7 (gold plated) ○					UL 293388-1 ○	1740336-7 (gold plated)			UL 293587-1 ○	
		293389-1 (tin plated UL) ○						293390-1 (tin plated UL)				
250 VAC HV-2 (switch) Max. 2.5 Amp.		1740335-1 (unplated) ○	1740260-1 ○	1740261-1 ○	293359-1 ○	293358-1 ○	1740259-5 ●	1740336-1 (unplated)				1740316-1 ●
		1740335-4 (tin plated) ○	1740260-2 ●	1740261-2 ●			UL 293388-1 ○	1740336-4 (tin plated)				
		1740335-7 (gold plated) ○						1740336-7 (gold plated)				
		293389-1 (tin plated UL) ○						293390-1 (tin plated UL)				
125 VAC HV-3 Max. 6 Amp.	1740262-6 ○	1740335-1 (unplated) ○	1740260-1 ○	1740261-1 ○	293359-1 ○	293358-1 ○	1740259-6 ●	1740336-1 (unplated)	1740317-5 ●	1740317-6 ●	1740315-2 ●	1740316-1 ●
	UL 293387-1 ○	1740335-4 (tin plated) ○	1740260-2 ●	1740261-2 ●			UL 293388-2 ○	1740336-4 (tin plated)	UL 293651-1 ○	UL 293661-2 ○	1740315-1 ○	
		1740335-7 (gold plated) ○						1740336-7 (gold plated)			293587-1 ○	
		293389-1 (tin plated UL) ○						293390-1 (tin plated UL)				
42 VAC LV-1 Max. 7 Amp.	1740451-1 ○	1740335-1 (unplated) ●	1740260-1 ○	1740261-1 ○	293359-1 ○	293358-1 ○	1740449-1 ○	1740336-1 (unplated)	1740317-7 ○	1740317-8 ○	1740315-2 ●	1740316-1 ●
		1740335-4 (tin plated) ○	1740260-2 ●	1740261-2 ●				1740336-4 (tin plated)			174515-1 ○	
		1740335-7 (gold plated) ○						1740336-7 (gold plated)			UL 293587-1 ○	
		293389-1 (tin plated UL) ○						293390-1 (tin plated UL)				
42 VDC LV-2 Max. 7 Amp.	1740451-2 ●		1740260-1 ○	1740261-1 ○	293359-1 ○	293358-1 ○	1740449-2 ●	1740336-1 (unplated)	1740317-9 ●	1740317-1 ●	1740315-2 ●	1740316-1 ●
	293387-4 ○		1740260-2 ●	1740261-2 ●			UL 293388-5 ○	1740336-4 (tin plated)	UL 293651-3 ○	UL 293651-4 ○	1740315-1 ○	
		293389-1 (tin plated UL) ○						1740336-7 (gold plated)			UL 293587-1 ○	
								293390-1 (tin plated UL)				



Tyco Electronics Global Contacts

For email, phone or live chat, go to tycoelectronics.com/help

Americas

Argentina (Buenos Aires)
Phone: +54-11-4733-2200
Fax: +54-11-4733-2211

Brasil (São Paulo)
Phone: +55-11-2103-6000
Fax: +55-11-2103-6030

Chile (Santiago)
Phone: +56-2-345-0361
Fax: +56-2-223-1477

Canada (Toronto)
Phone: +905-475-6222
Fax: +905-474-5520
Product Information Center:
Phone: +905-470-4425
Fax: +905-474-5525

Colombia (Bogota)
Phone: +57-1-319-8959
Fax: +57-1-319-8960

Mexico (Mexico City)
Phone: +52-55-1106-0800
+01-800-733-8926
Fax: +52-55-1106-0901

For Latin/South American
(Countries not shown)
Phone: +54-11-4733-2015
Fax: +54-11-4733-2083

United States
(Harrisburg, PA)
Phone: +1-717-564-0100
Fax: +1-717-986-7575
Product Information Center:
Phone: +1-800-522-6752
Fax: +1-717-986-7575

(Troy, MI)
Phone: +1-248-273-3359
Fax: +1-248-273-3322

Asia/Pacific

Australia (Sydney)
Phone: +61-2-9554-2600
Fax: +61-2-9502-2556
Product Information Center:
Phone: +61-2-9840-8200
Fax: +61-2-9634-6188

India (Bangalore)
Phone: +91-80-285-40800
Fax: +91-80-285-40820

Indonesia (Jakarta)
Phone: +65-6482-0311
Fax: +65-6482-1012

Japan (Kawasaki, Kanagawa)
Phone: +81-44-844-8111
Fax: +81-44-812-3207
Product Information Center:
Phone: +81-44-844-8013
Fax: +81-44-812-3200

Korea (Seoul)
Phone: +82-2-3415-4500
Fax: +82-2-3486-3810

Malaysia (Selangor)
Phone: +60-3-7805-3055
Fax: +60-3-7805-3066

New Zealand (Auckland)
Phone: +64-9-634-4580
Fax: +64-9-634-4586

Philippines (Makati City)
Phone: +632-848-0171
Fax: +632-867-8661

People's Republic of China
(Hong Kong)
Phone: +852-2735-1628
Fax: +852-2735-0243
(Shanghai)
Phone: +86-21-2407-1588
Fax: +86-21-2407-1599

Singapore (Singapore)
Phone: +65-6482-0311
Fax: +65-6482-1012

Taiwan (Taipei)
Phone: +886-2-8768-2788
Fax: +886-2-8768-2268

Thailand (Bangkok)
Phone: +66-2-955-0500
Fax: +66-2-955-0505

Vietnam (Ho Chi Minh City)
Phone: +84-8-930-5546
Fax: +84-8-930-3443

Europe/Middle East/Africa

Austria (Vienna)
Phone: +43-1-905-60-0
Fax: +43-1-905-60-1333
Product Information Center:
Phone: +43-1-905-60-1249
Fax: +43-1-905-60-1251

Belarus (Minsk)
Phone: +375 17 237 47 94
Fax: +375 17 237 47 94

Belgium (Kessel-Lo)
Phone: +32-16-352-300
Fax: +32-16-352-355

Bulgaria (Sofia)
Phone: +359-2-971-2152
Fax: +359-2-971-2153

Czech Republic and Slovakia
Czech Republic (Kurim)
Phone: +420-541-162-111
Fax: +420-541-162-223
Product Information Center:
Phone: +420-541-162-113
Fax: +420-541-162-132

Denmark (Glostrup)
Phone: +45-43-48-04-00
Fax: +45-43-44-14-14

Egypt (Cairo)
Phone: +202-419-2334
Fax: +202-417-7647

Estonia (Tartu)
Phone: +372-5138-274
Fax: +372-7400-779

Finland (Helsinki)
Phone: +358-95-12-34-20
Fax: +358-95-12-34-250

France (Cergy-Pontoise Cedex)
Phone: +33-1-3420-8888
Fax: +33-1-3420-8600
Product Information Center:
Phone: +33-1-3420-8686
Fax: +33-1-3420-8623

France Export Divisions
(Cergy-Pontoise Cedex)
Phone: +33-1-3420-8804
Fax: +33-1-3420-8699

Germany (Bensheim)
Phone: +49-6251-133-0
Fax: +49-6251-133-1600

Product Information Center:
Phone: +49-6251-133-1999
Fax: +49-6251-133-1988

Greece (Athens)
Phone: +30-210-9370-396/397
Fax: +30-210-9370-655

Hungary (Budapest)
Phone: +36-1-289-1000
Fax: +36-1-289-1010
Product Information Center:
Phone: +36-1-289-1016
Fax: +36-1-289-1017

Ireland (Dublin)
Phone: +353-1-866-5612
Fax: +353-1-866-5714

Israel (Petach-Tikva)
Phone: +972-3-929-0999
Fax: +972-3-919-1088

Italy (Collegno (Torino))
Phone: +39-011-4012-111
Fax: +39-011-4031-116
Product Information Center:
Phone: +39-011-4012-428
Fax: +39-011-40-287-428

Lithuania and Latvia
Lithuania (Vilnius)
Phone: +370-5-213-1402
Fax: +370-5-213-1403
Product Information Center:
Phone: +370-5-211-3016
Fax: +370-5-213-1403

Netherlands ('s-Hertogenbosch)
Phone: +31-73-6246-246
Fax: +31-73-6212-365
Product Information Center:
Phone: +31-73-6246-999
Fax: +31-73-6246-998

Norway (Nesbru)
Phone: +47-66-77-88-50
Fax: +47-66-77-88-55

Poland (Warsaw)
Phone: +48-22-4576-700
Fax: +48-22-4576-720
Product Information Center:
Phone: +48-22-4576-704
Fax: +48-22-4576-720

Romania (Bucharest)
Phone: +40-21-311-3479/3596
Fax: +40-21-312-0574

Russia (Moscow)
Phone: +7-495-790-7902
Fax: +7-495-721-1893
Product Information Center:
Phone: +7-495-790-7902-404
Fax: +7-495-790-7902-401

Russia (St. Petersburg)
Phone: +7-812-718-8192
Fax: +7-812-718-8193

Slovenia (Ljubljana)
Phone: +386-1561-3270
Fax: +386-1561-3240

South Africa (Port Elizabeth)
Phone: +27-41-503-4500
Fax: +27-41-581-0440

Spain (Barcelona)
Phone: +34-93-291-0330
Fax: +34-93-201-7879

Sweden (Upplands Väsby)
Phone: +46-8-50-72-50-00
Fax: +46-8-50-72-50-01

Switzerland (Steinach)
Phone: +41-71-447-0447
Fax: +41-71-447-0444

Turkey (Istanbul)
Phone: +90-212-281-8181/2/3
+90-212-282-5130/5430
Fax: +90-212-281-8184

Ukraine (Kiev)
Phone: +380-44-206-2265
Fax: +380-44-206-2264
Product Information Center:
Phone: +380-44-206-2265
Fax: +380-44-206-2264

United Kingdom
(Stanmore, Middlesex)
Phone: +44-8706-080208
Fax: +44-208-954-6234
Product Information Center:
Freephone (UK only):
+0800-267-666
Phone: +44-8706-080208
Fax: +44-208-420-8095

FOR MORE INFORMATION

tycoelectronics.com/lighting

connector Fits a 7.5 mm

Technical Support

Internet:	www.tycoelectronics.com/help
USA:	+1 (800) 522-6752
Canada:	+1 (905) 470-4425
Mexico & Central America:	+52(0) 55-1106-0814
South America:	+55 (0) 11-2103-6000
Germany:	+49 (0) 6251-133-1999
UK:	+44 (0) 800-267266
France:	+33 (0) 1-3420-8686
Netherlands:	+31 (0) 73-6246-999
China:	+86 (0) 400-820-6015

Part numbers in this brochure are RoHS Compliant*, unless marked otherwise.

*as defined www.tycoelectronics.com/leadfree

Tyco Electronics Corporation

Harrisburg, PA | tycoelectronics.com

© 2010 Tyco Electronics Corporation. All Rights Reserved.

1773457-7 CIS EMEA 500 03/2010

NECTOR, TE (logo) and Tyco Electronics are trademarks of the Tyco Electronics group of companies and its licensors.

Other products, logos, and Company names mentioned herein may be trademarks of their respective owners.

While Tyco Electronics has made every reasonable effort to ensure the accuracy of the information in this catalog, Tyco Electronics does not guarantee that it is error-free, nor does Tyco Electronics make any other representation, warranty or guarantee that the information is accurate, correct, reliable or current. Tyco Electronics reserves the right to make any adjustments to the information contained herein at any time without notice. Tyco Electronics expressly disclaims all implied warranties regarding the information contained herein, including, but not limited to, any implied warranties of merchantability or fitness for a particular purpose. The dimensions in this catalog are for reference purposes only and are subject to change without notice. Specifications are subject to change without notice. Consult Tyco Electronics for the latest dimensions and design specifications.



Our commitment. Your advantage.