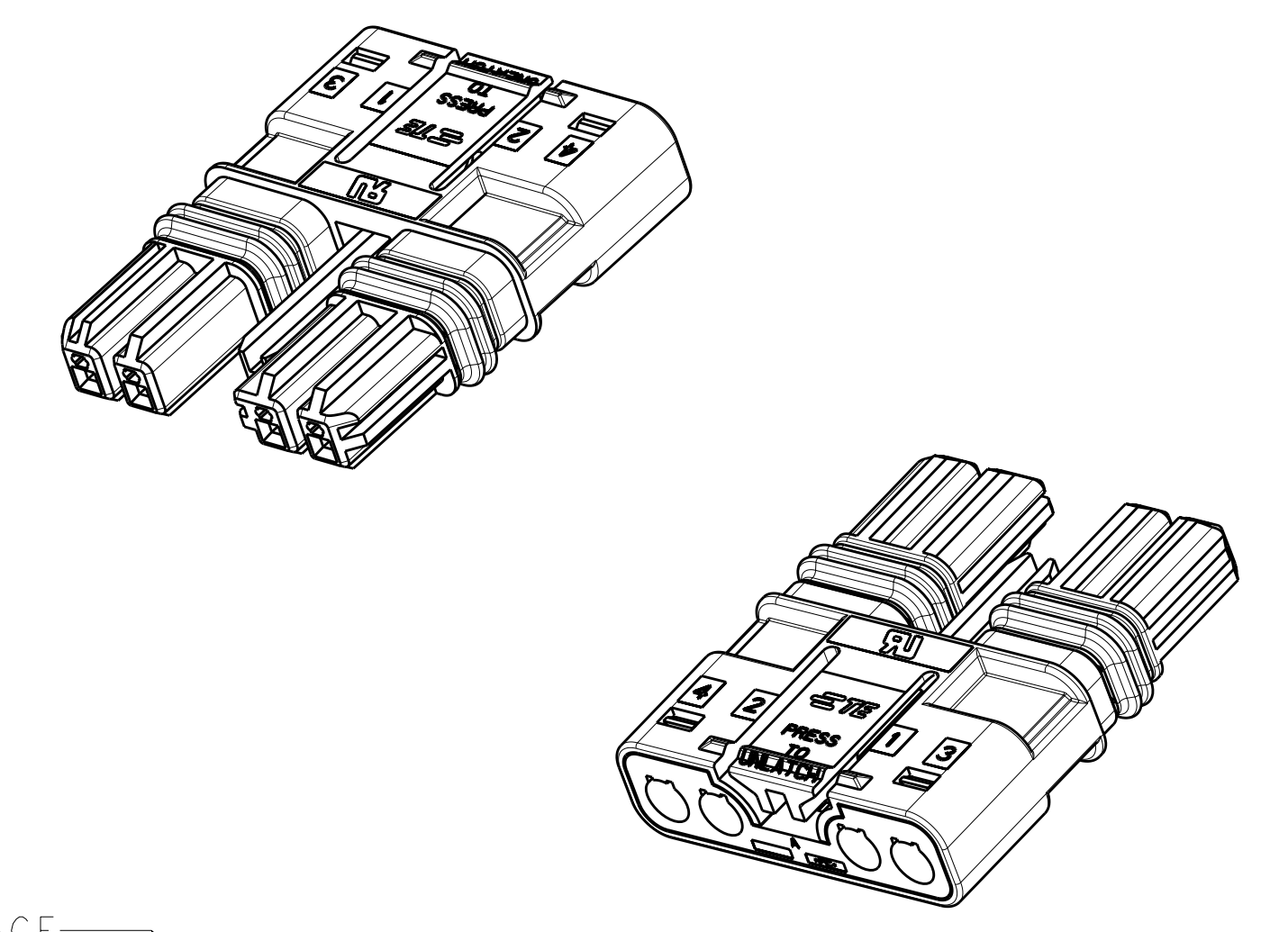
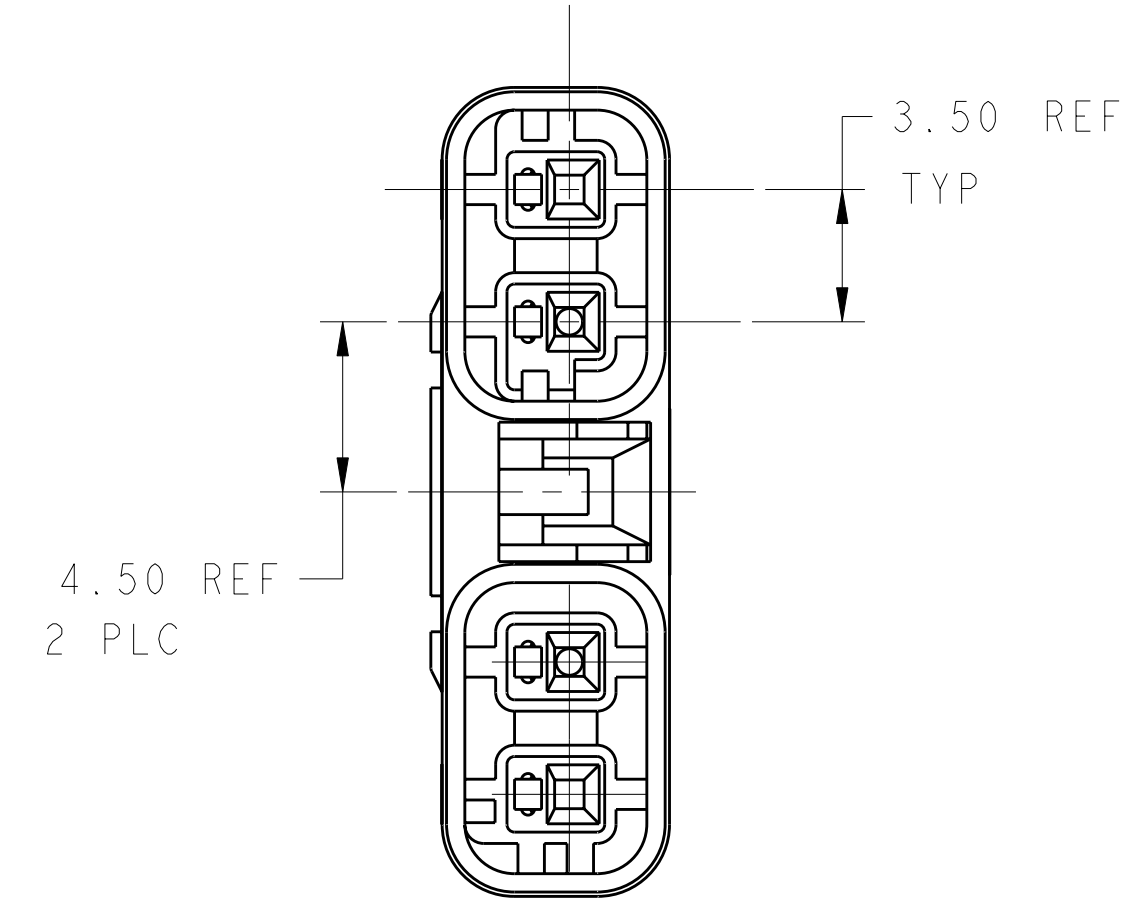
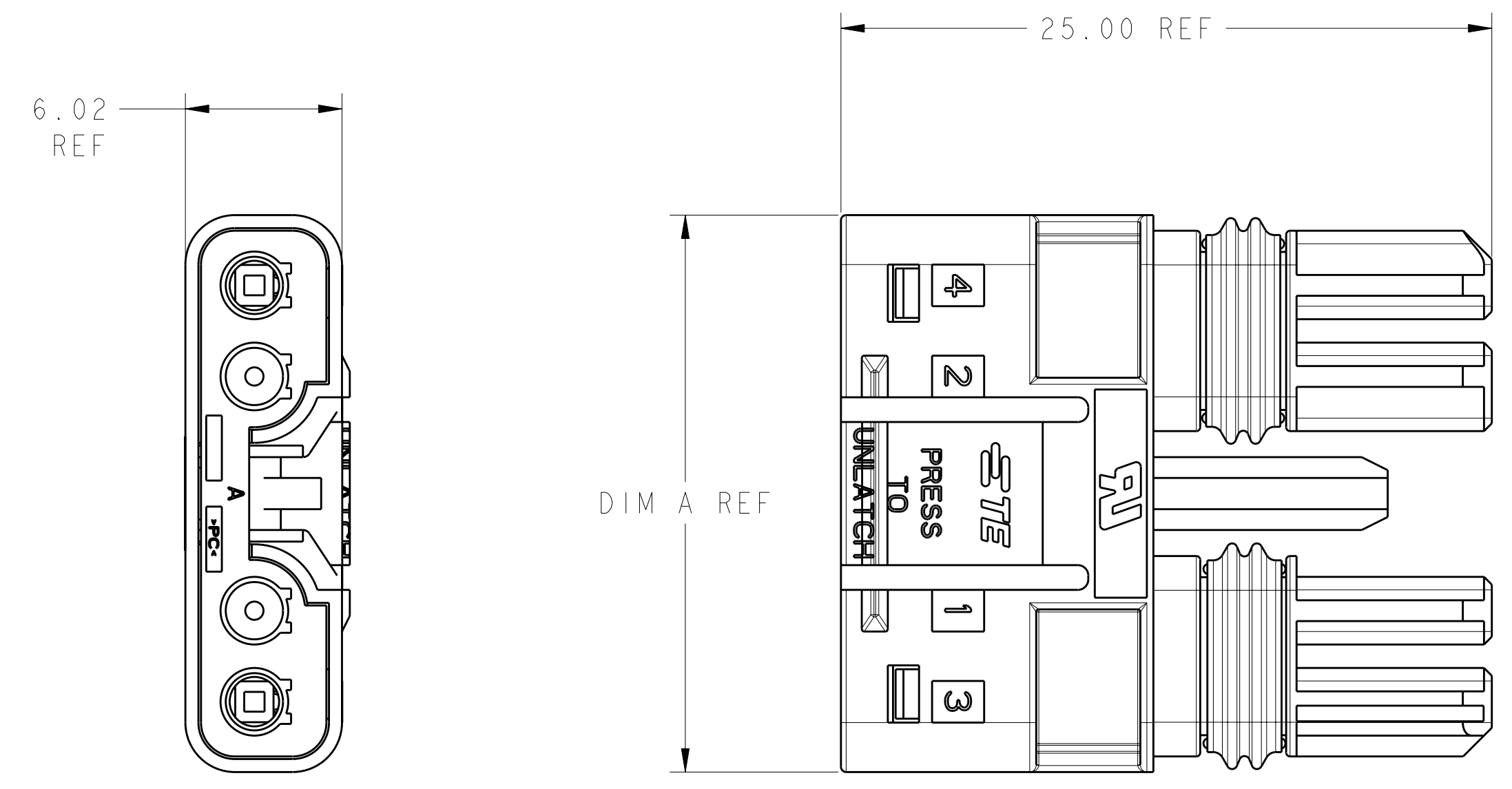
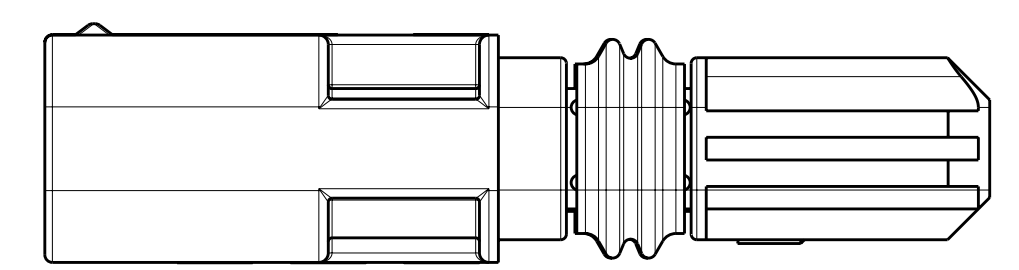
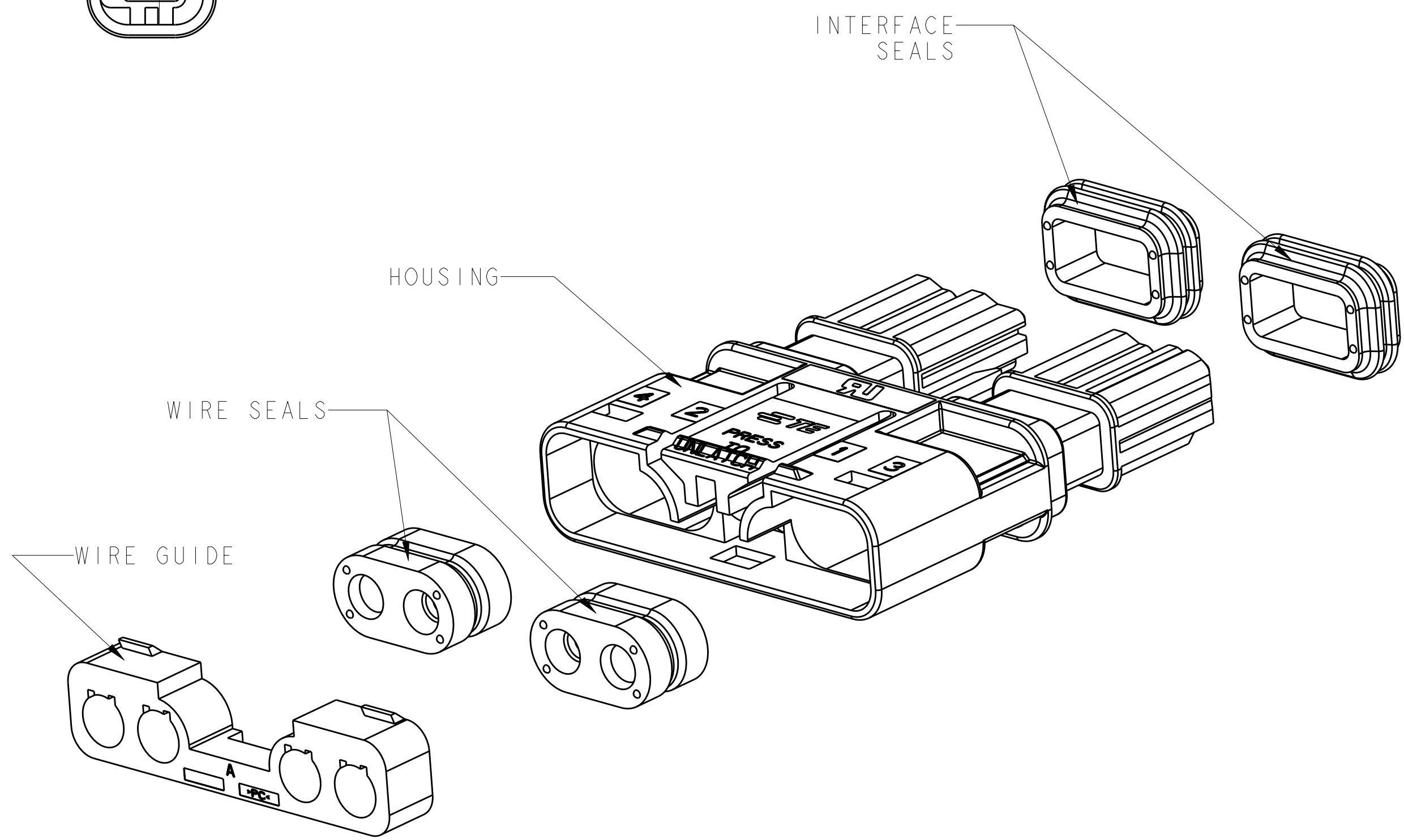


LOC	DIST	REVISIONS			
CM	00	REV	DATE	BY	APPD
		A1	11MAR2011	RK	HMR
		B	26DEC2011	HVG	DD
		B1	15MAY2012	RS	DD

- ⚠ MATERIAL: HOUSING: POLYCARBONATE, FI PER UL 746C, COLOR: BLACK  
 WIRE GUIDE: POLYCARBONATE, FI PER UL 746C, COLOR: BLACK  
 SEALS: SILICONE RUBBER, COLOR BLUE
2. THIS PART HAS NOT COMPLETED VALIDATION TESTING.  
 3. MUST COMPLY WITH DIRECTIVE 2002/95/EC (ROHS).



2106135-4  
SCALE 3:1



2106135-4 SHOWN

21.40	4	2106135-4
17.90	3	2106135-3
14.40	2	2106135-2
DIM A REF	NO. OF POSN	PART NUMBER

THIS DRAWING IS A CONTROLLED DOCUMENT.

DIMENSIONS:	TOLERANCES UNLESS OTHERWISE SPECIFIED:	DWN: WM.VAN SCOOC 12FEB2009	NAME: ASSEMBLY, PLUG, FREE HANGING SLIMSEAL SSL CONNECTOR
mm	0 PLC ± 1 PLC ±0.2 5 PLC ±0.15 4 PLC ± ANGLES ±°'	CHK: A. BUCHER 12FEB2009	PRODUCT SPEC: 108-2391
MATERIAL:	FINISH:	APVD: A. BUCHER 12FEB2009	APPLICATION SPEC: 114-13261
		RESTRICTED TO:	SIZE: A1
		CAGE CODE: C=2106135	SCALE: 4:1
		CUSTOMER DRAWING	SHEET 1 OF 1