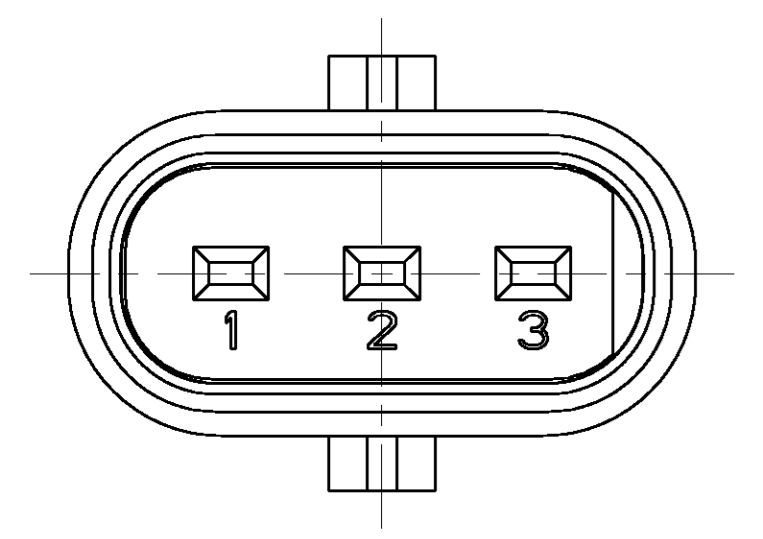
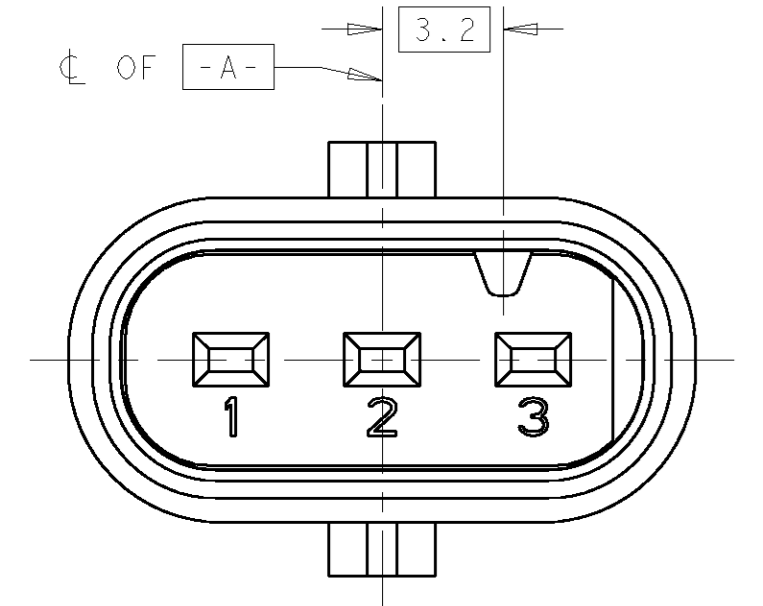


LOC	DIST	REV	DESCRIPTION	DATE	BY	APPD
IN	00	1	PROPOSED	28MAY2003	KF	GM
		2	RE-DRAWN AND CHANGED THE CONNECTOR LATCH DESIGN FROM "U" SHAPE TO "T" SHAPE	31MAR2004	MFF	GM
		0	RELEASED PER EC DK01-0058-04	20APR2004	MFF	GM

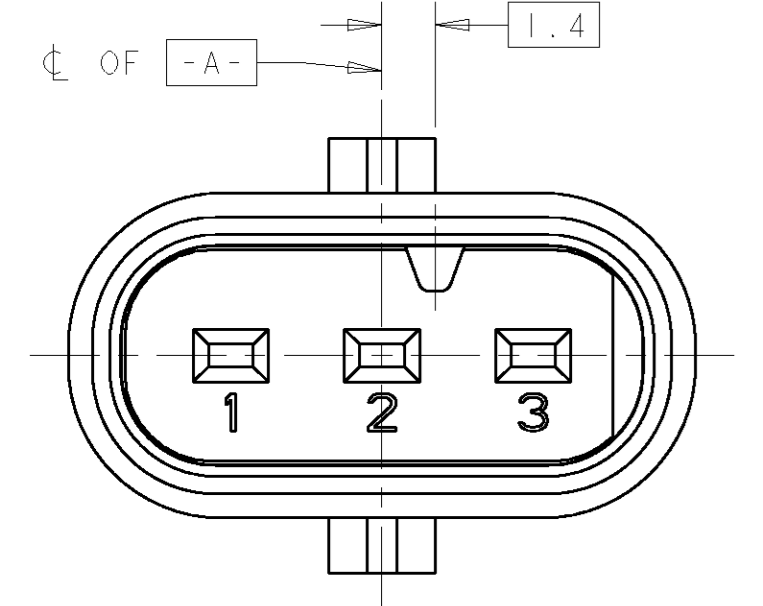
KEYING CONFIGURATIONS



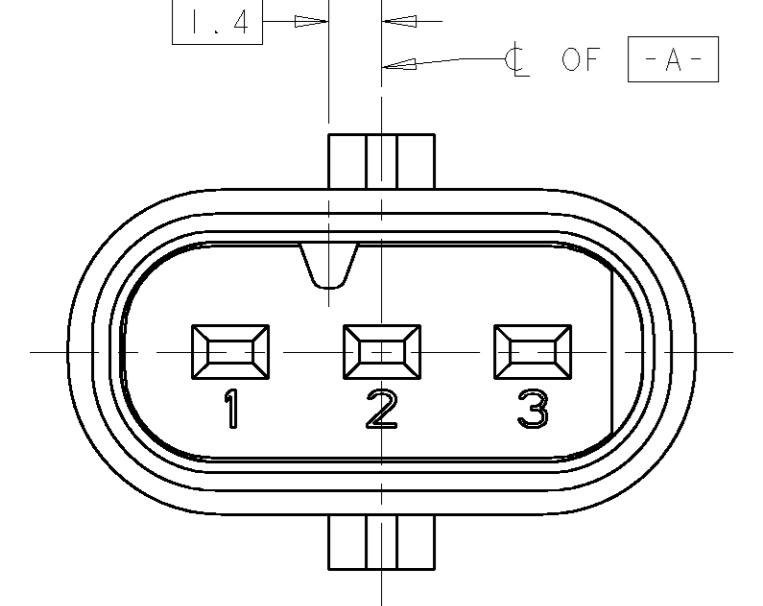
NO KEYING OPTION



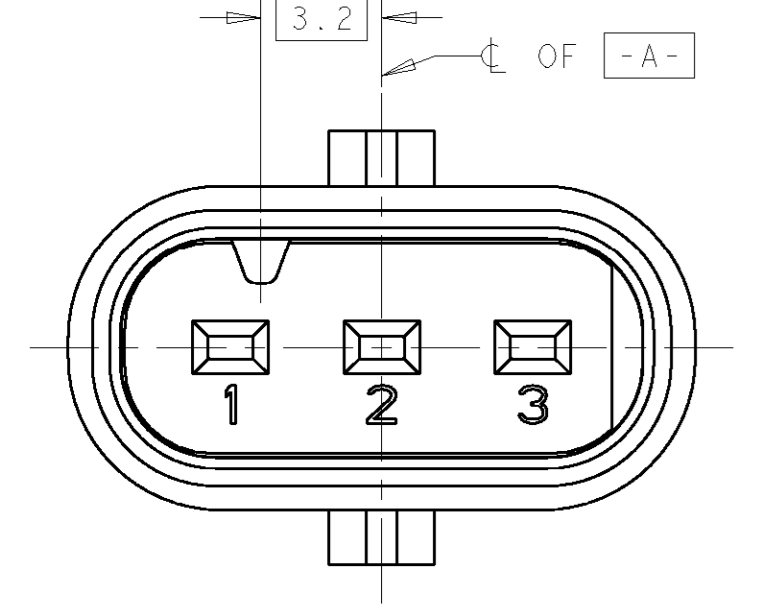
KEYING OPTION D



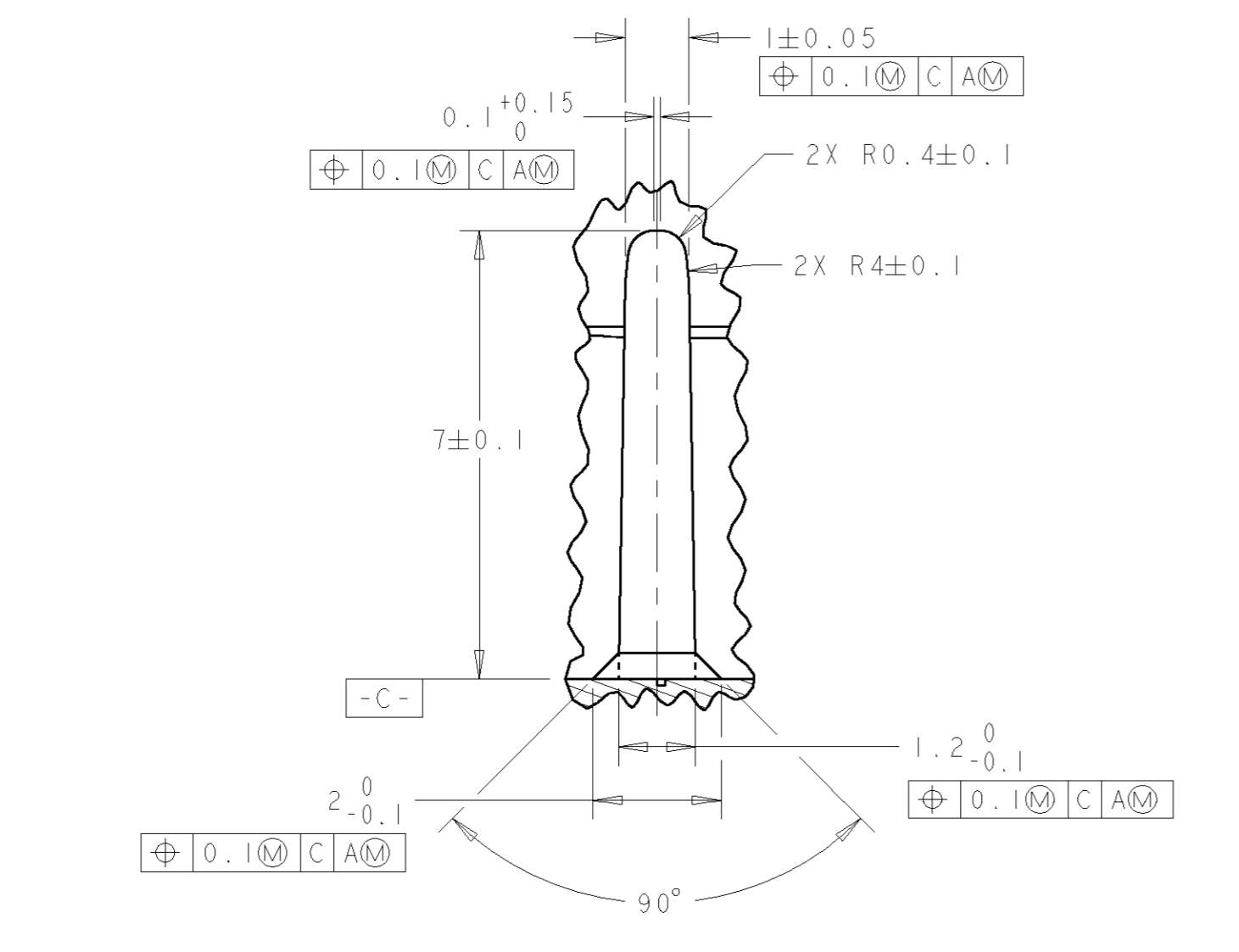
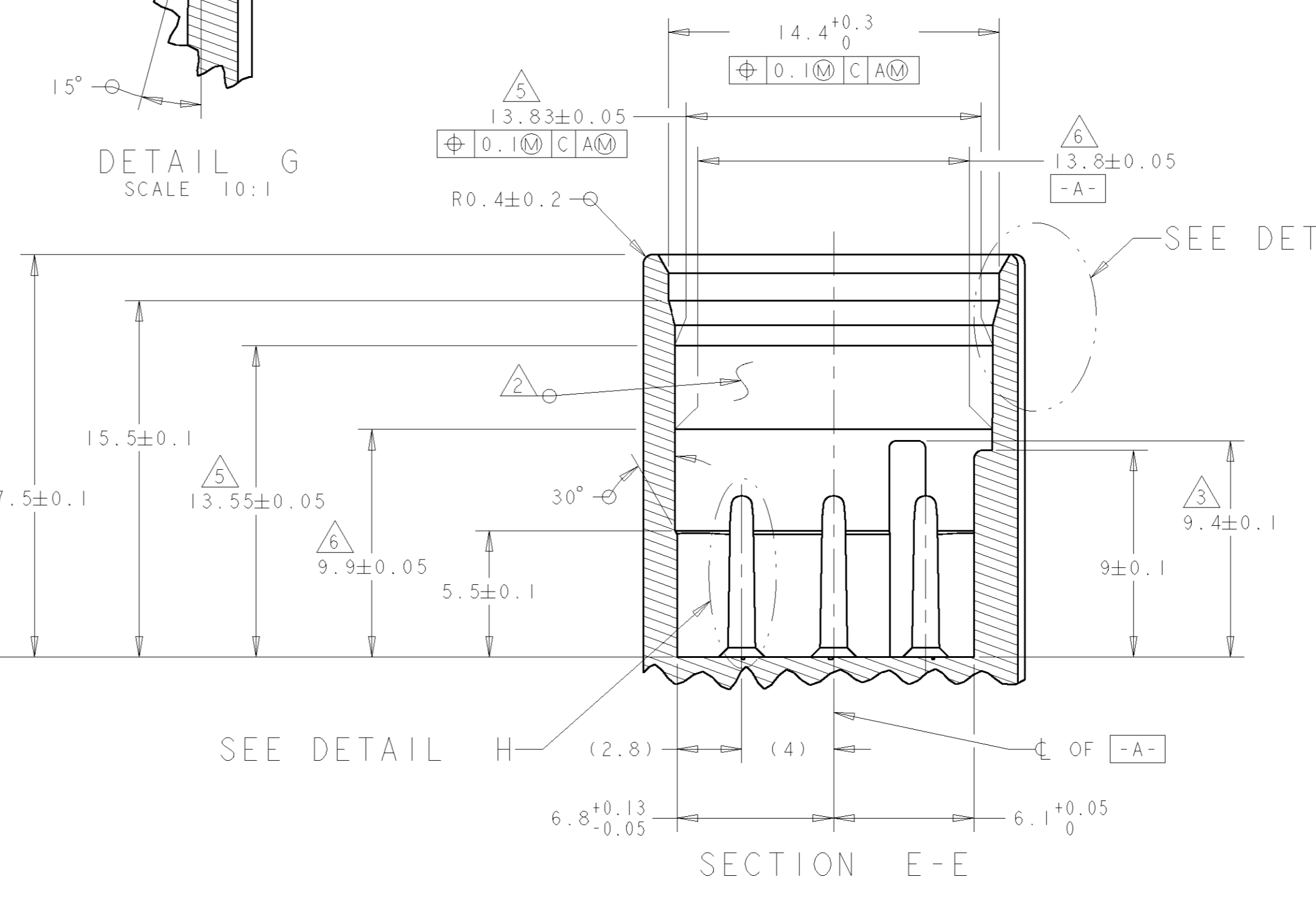
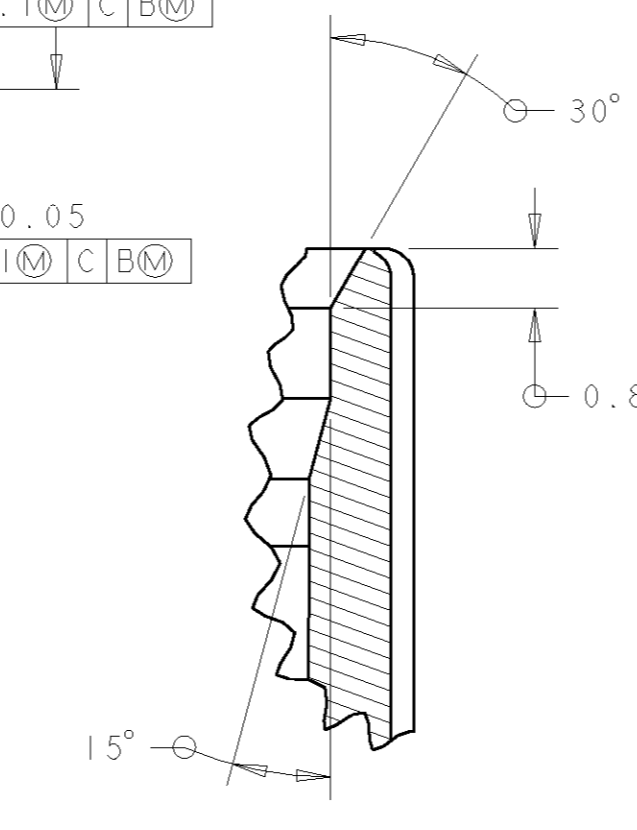
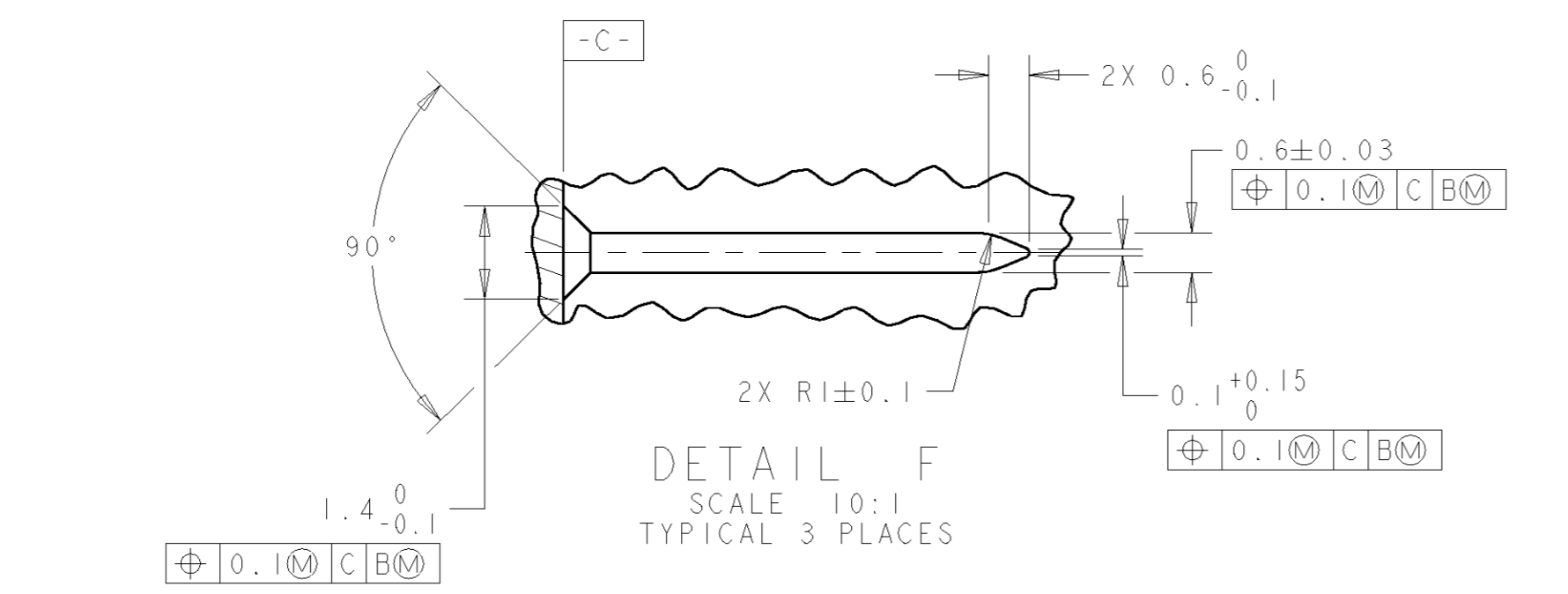
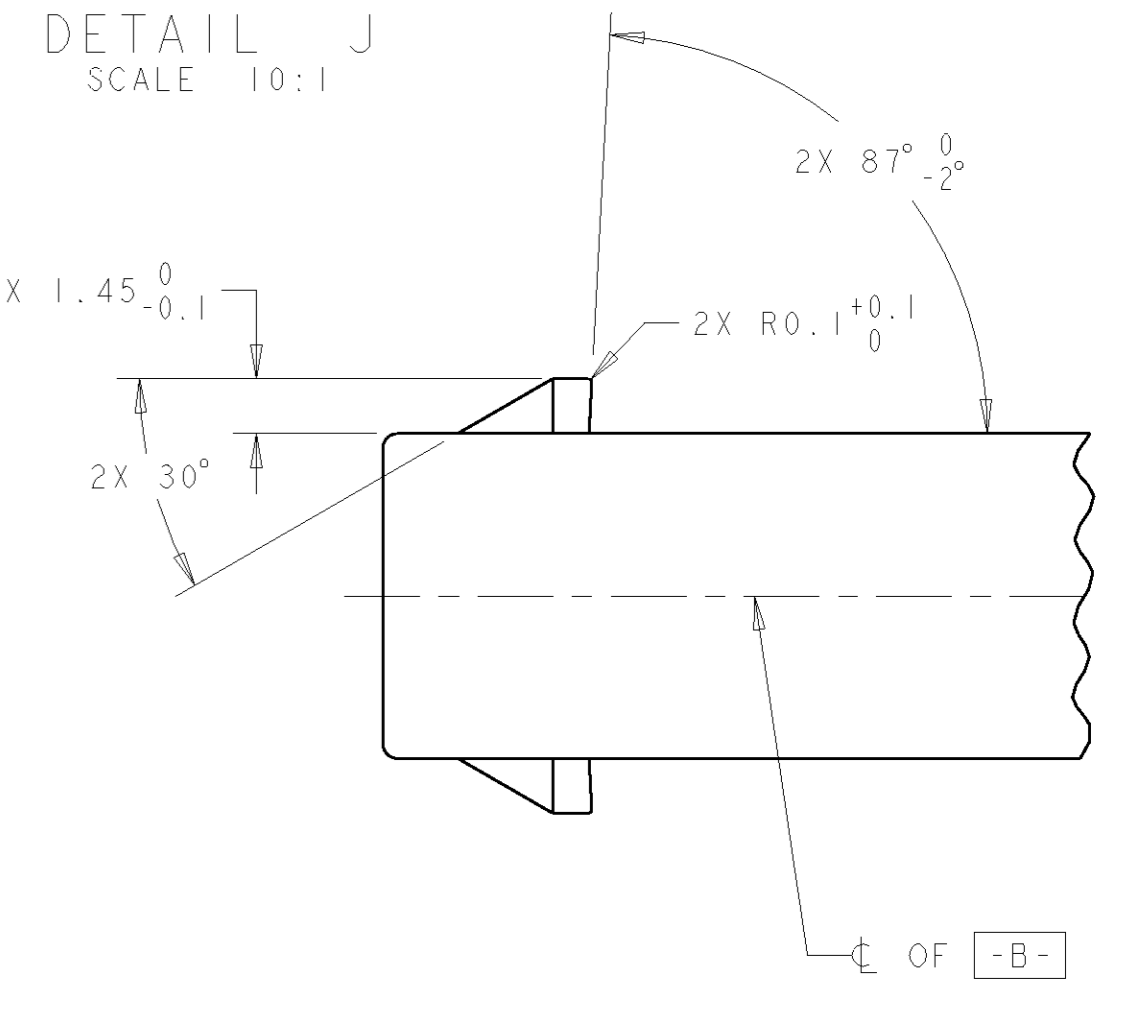
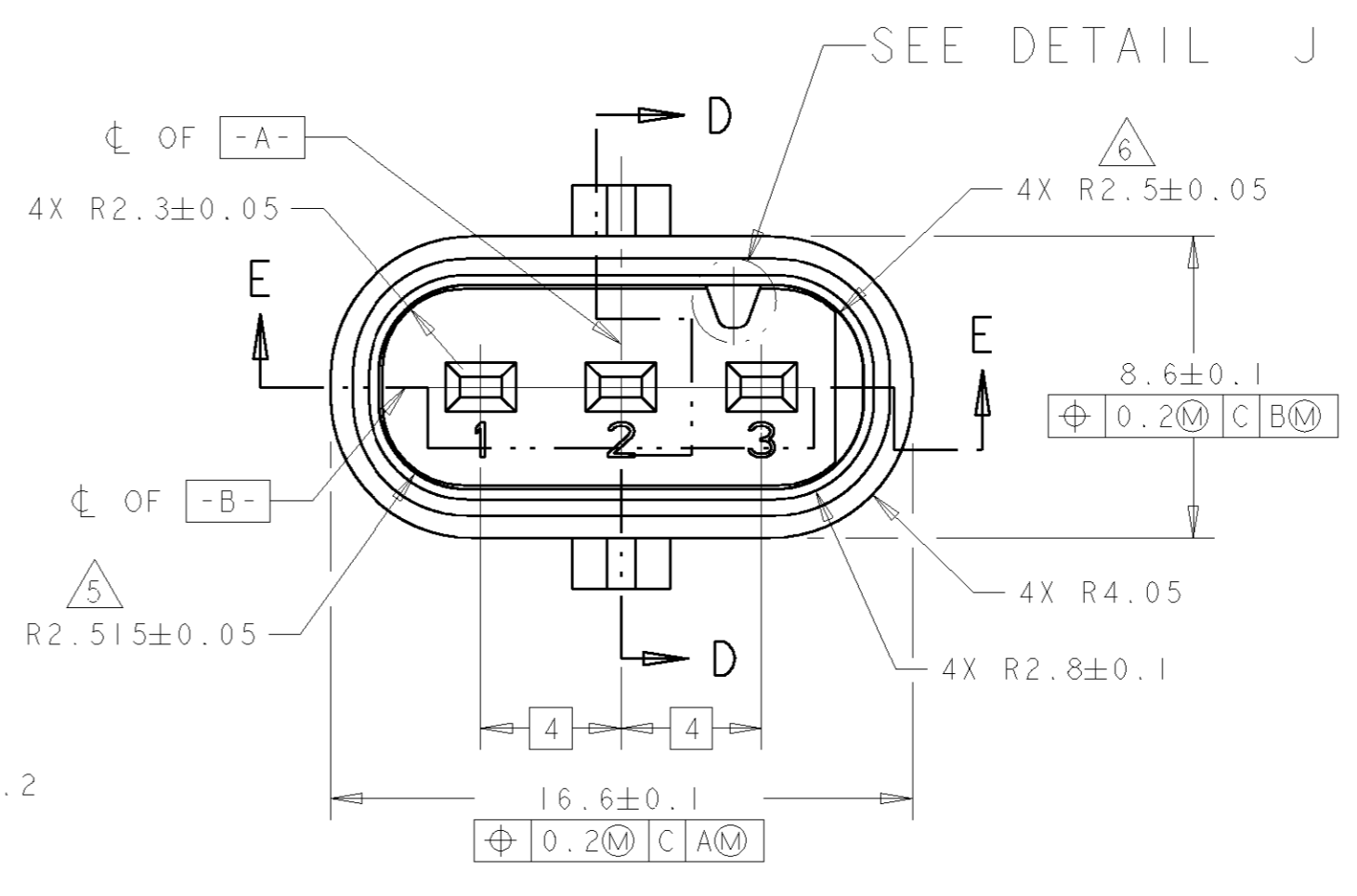
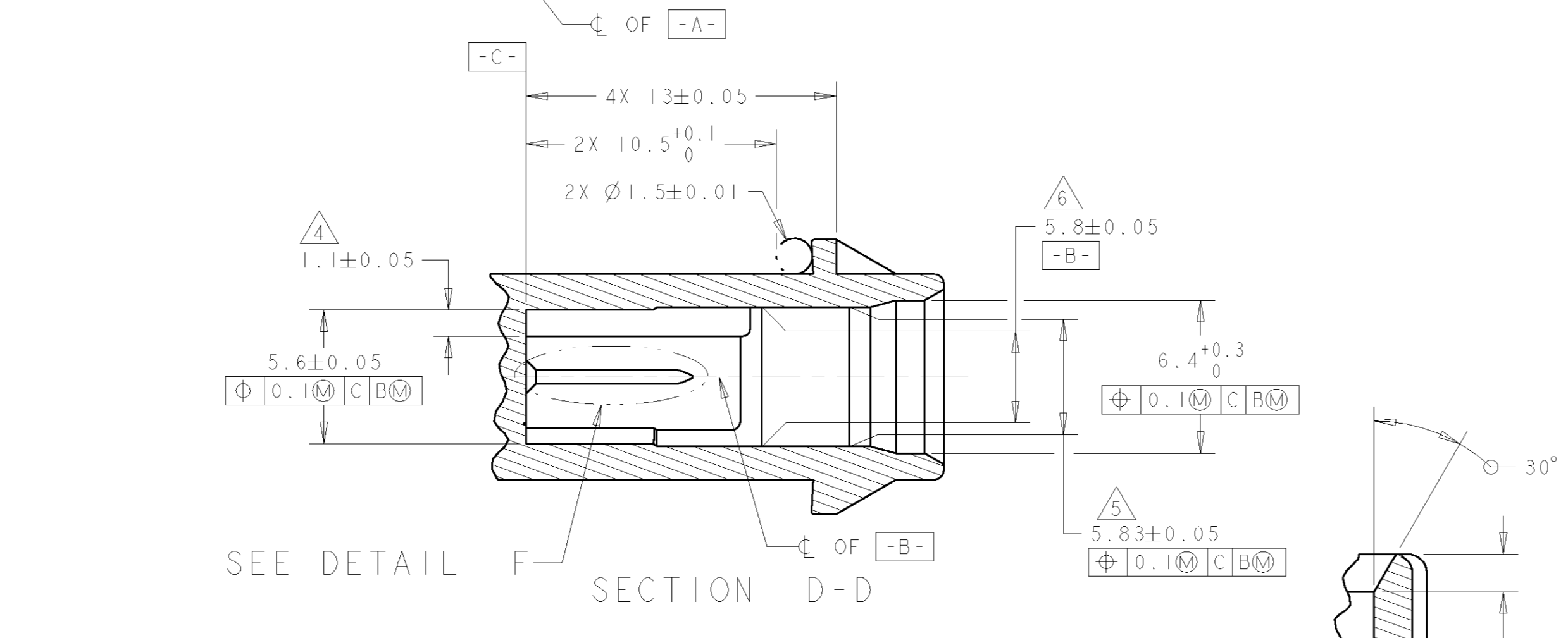
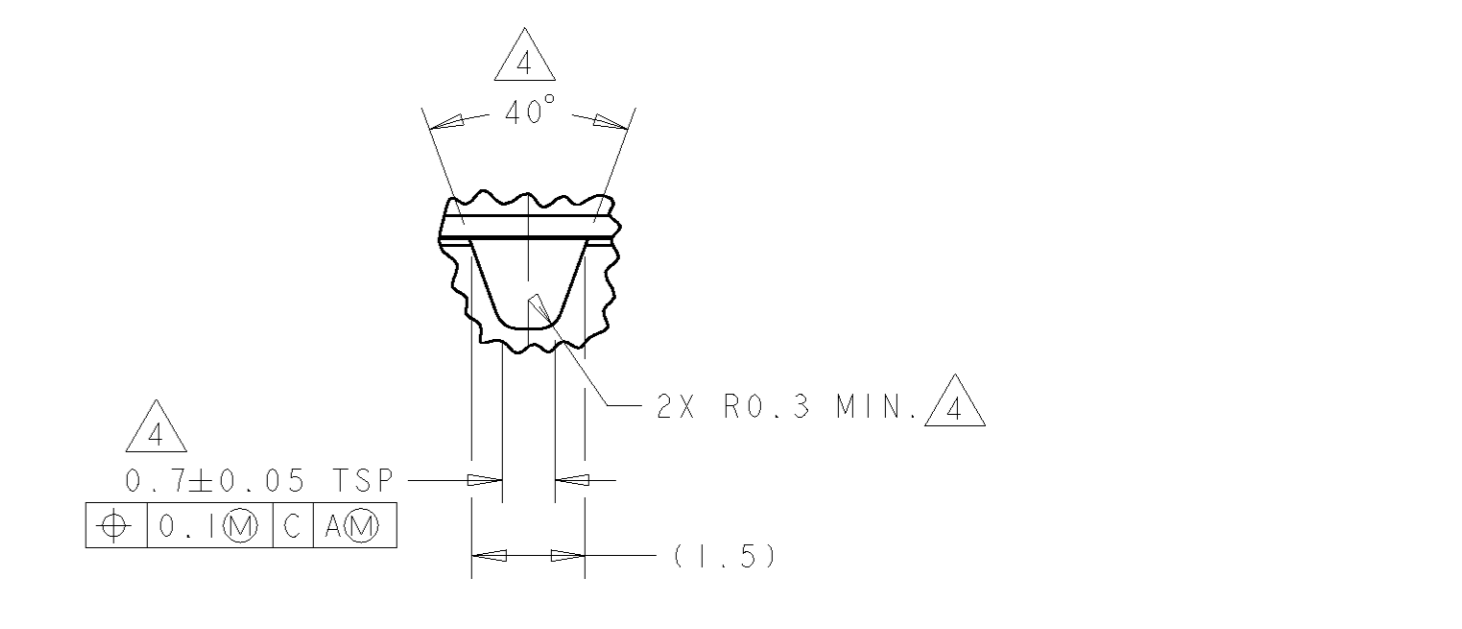
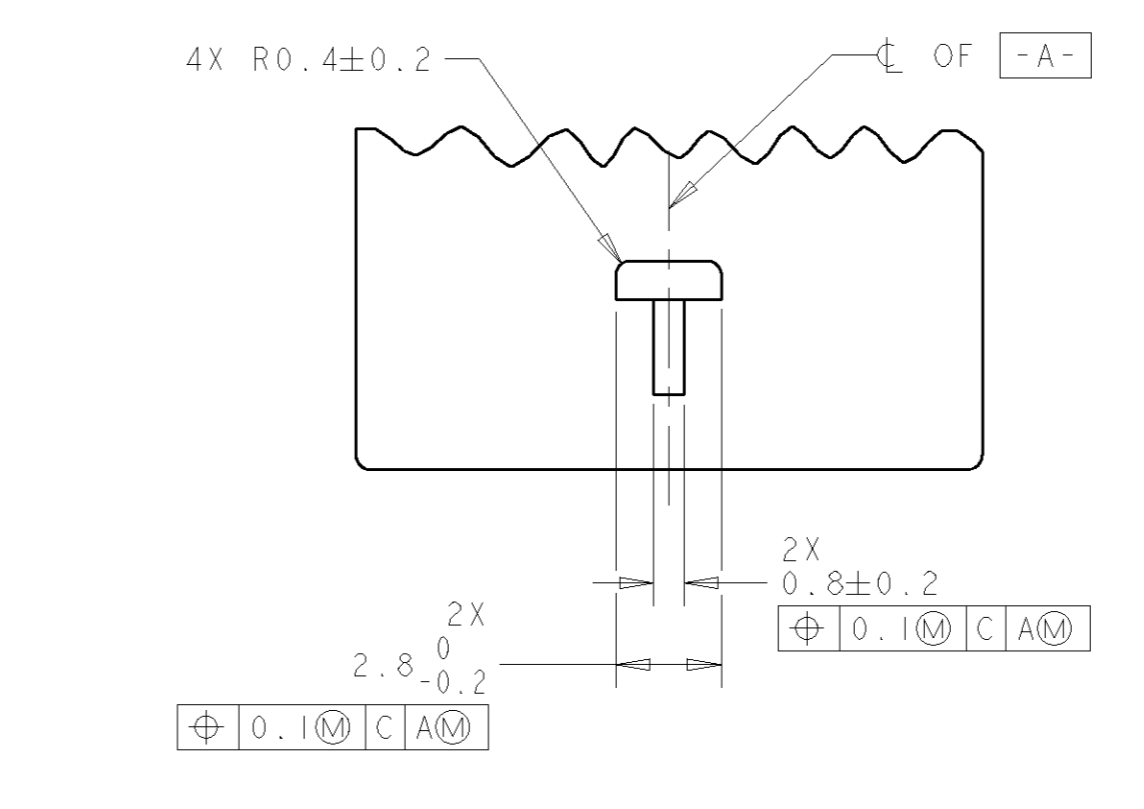
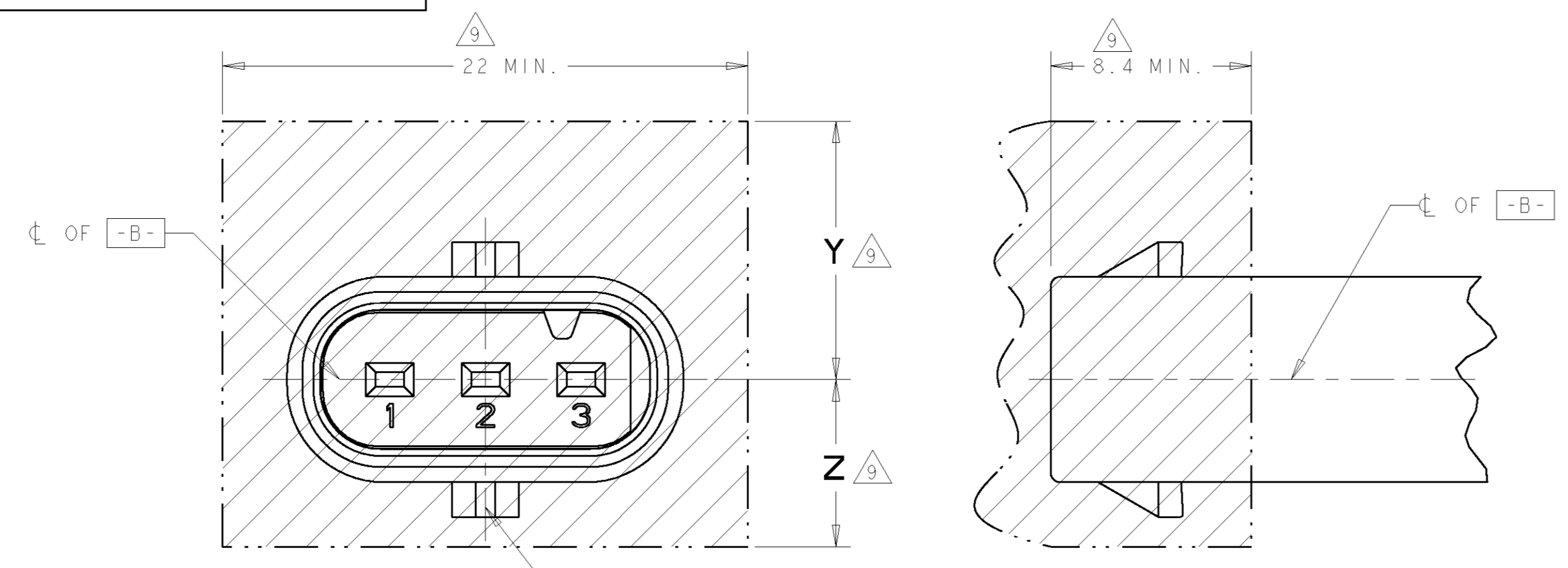
KEYING OPTION C



KEYING OPTION B



KEYING OPTION A



- KEYING OPTION D SHOWN.
- SEALING SURFACE, NO WITNESS LINES OR DAMAGE PERMITTED.
- DRAFT WITHIN TOLERANCE.
- THIS DIMENSION APPLIES TO KEYING OPTIONS A, B, C, AND D.
- THIS DIMENSION TO BE MEASURED AT THE 13.55 DIMENSION.
- THIS DIMENSION TO BE MEASURED AT THE 9.9 DIMENSION.
- THIS NO KEYING OPTION TO BE USED FOR TESTING PURPOSES ONLY.
- CONTACT PINS TO BE FREE OF SHARP EDGES AND BURRS.
- CROSS-HATCHED AREA SHOWS THE MINIMUM REQUIRED CLEARANCE FOR THE MATING FEMALE CONNECTOR GEOMETRY. THE VALUES BELOW DEPEND ON THE MATING FEMALE CONNECTOR LATCH CONFIGURATION:

	Y	Z
TOP AND BOTTOM LATCH	10.8 MIN.	10.8 MIN.
BOTTOM LATCH	7 MIN.	10.8 MIN.
TOP LATCH	10.8 MIN.	7 MIN.
LATCH CONFIGURATION	Y	Z

DIMENSIONS: mm 		TOLERANCES UNLESS OTHERWISE SPECIFIED: 0 PLC ± 1 PLC ±0.5 3 PLC ±0.13 4 PLC ± ANGLES ±°		DWN: R. FOLTZ 28MAY2003 CHK: G. MARTIN 29MAY2003 APPD: G. MARTIN 29MAY2003		tyco Electronics Tyco Electronics Harrisburg, PA 17105-3608	
MATERIAL: - FINISH: -		WEIGHT: - CUSTOMER DRAWING: -		NAME: INTERFACE DRAWING 3 POSITION SEALED, 1.2mm STANDARD VERSION SIZE: A1 CAGE CODE: 00779 DRAWING NO: C=1488738		RESTRICTED TO: - SCALE: 5:1 SHEET: 1 OF 1 REV: 0	