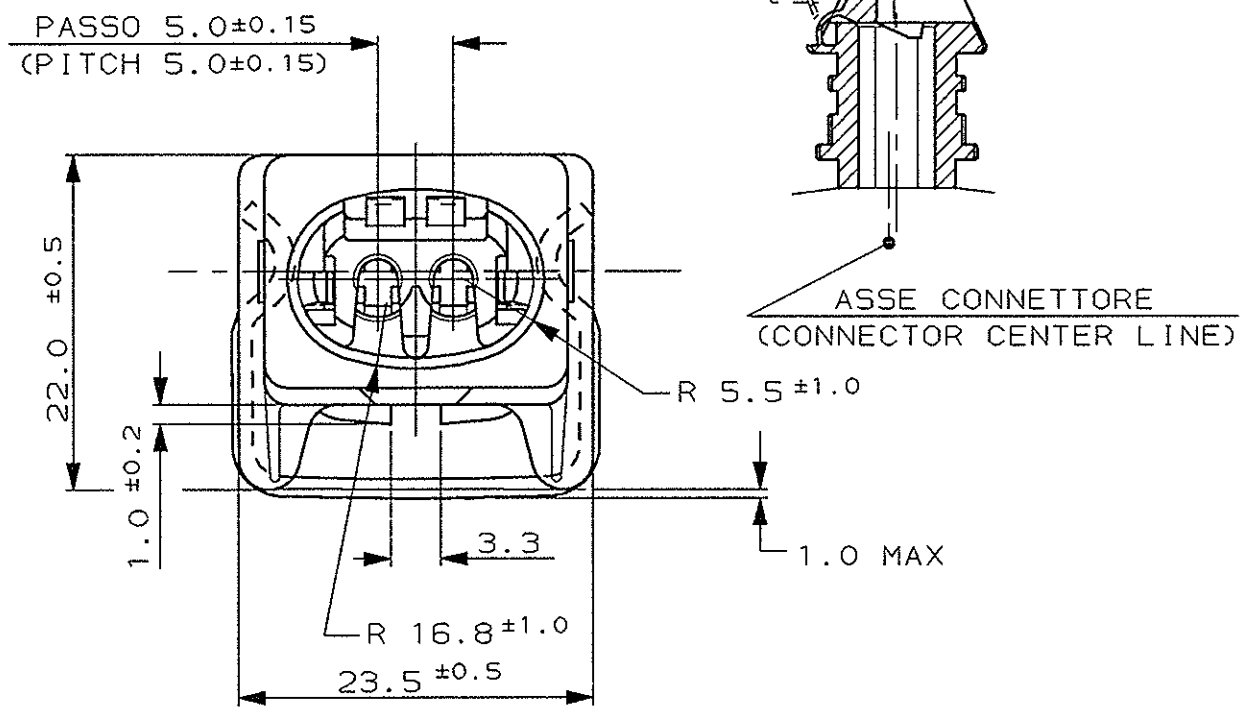
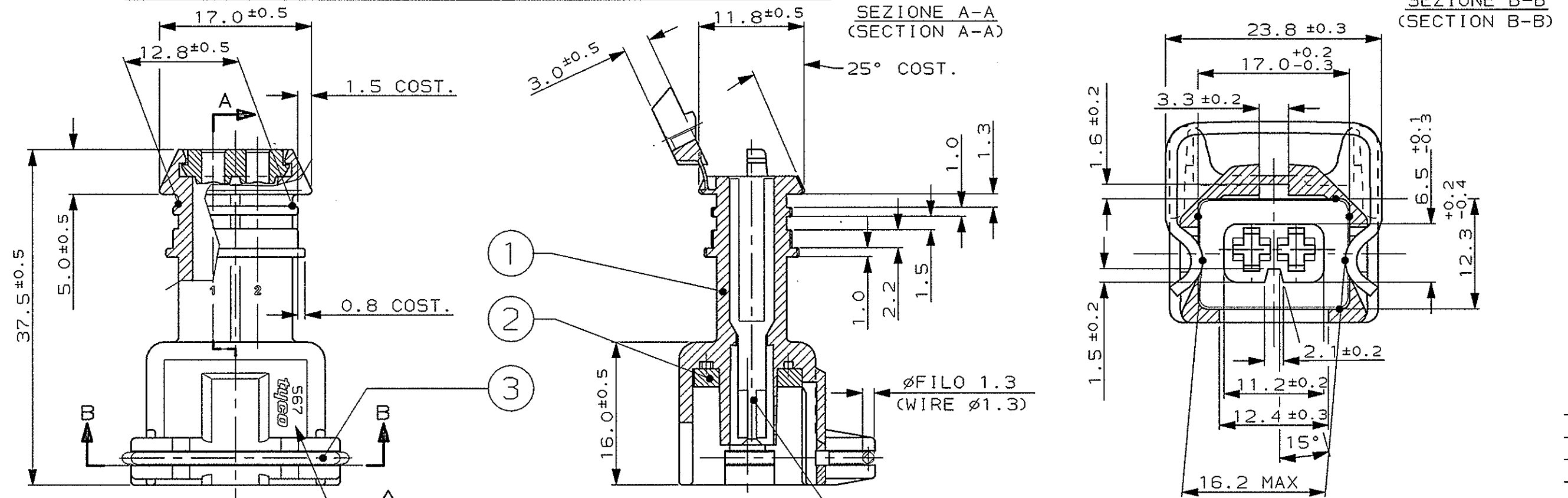


CONNETTORE TIPO A (CON MOLLA DI RITEGNO ESTERNA)
CONNECTOR TYPE A (WITH EXTERNAL SPRING)

SCALA NON IMPEGNATIVA (DO NOT SCALE)
DIMENSIONI IN (DIMENSIONS IN) mm METRIC
PROIEZIONE EUROPEA (EUROPEAN PROJECTION)

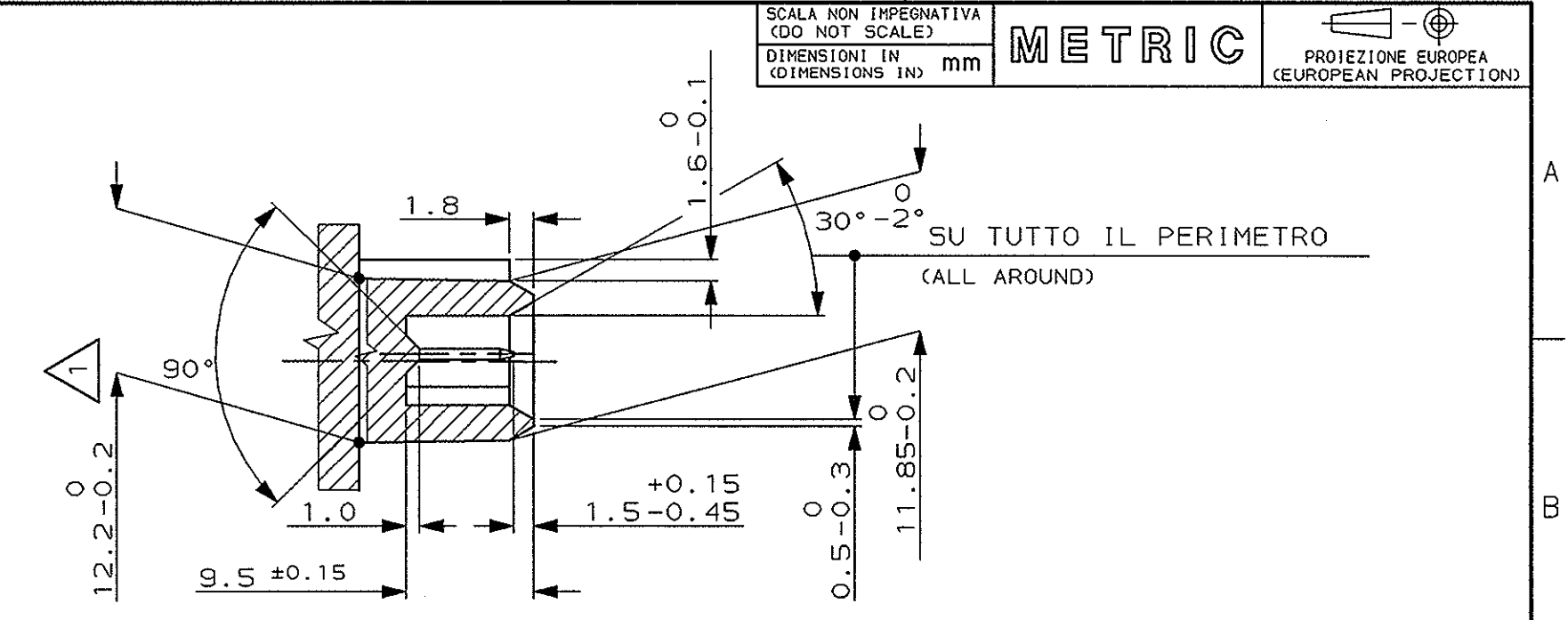
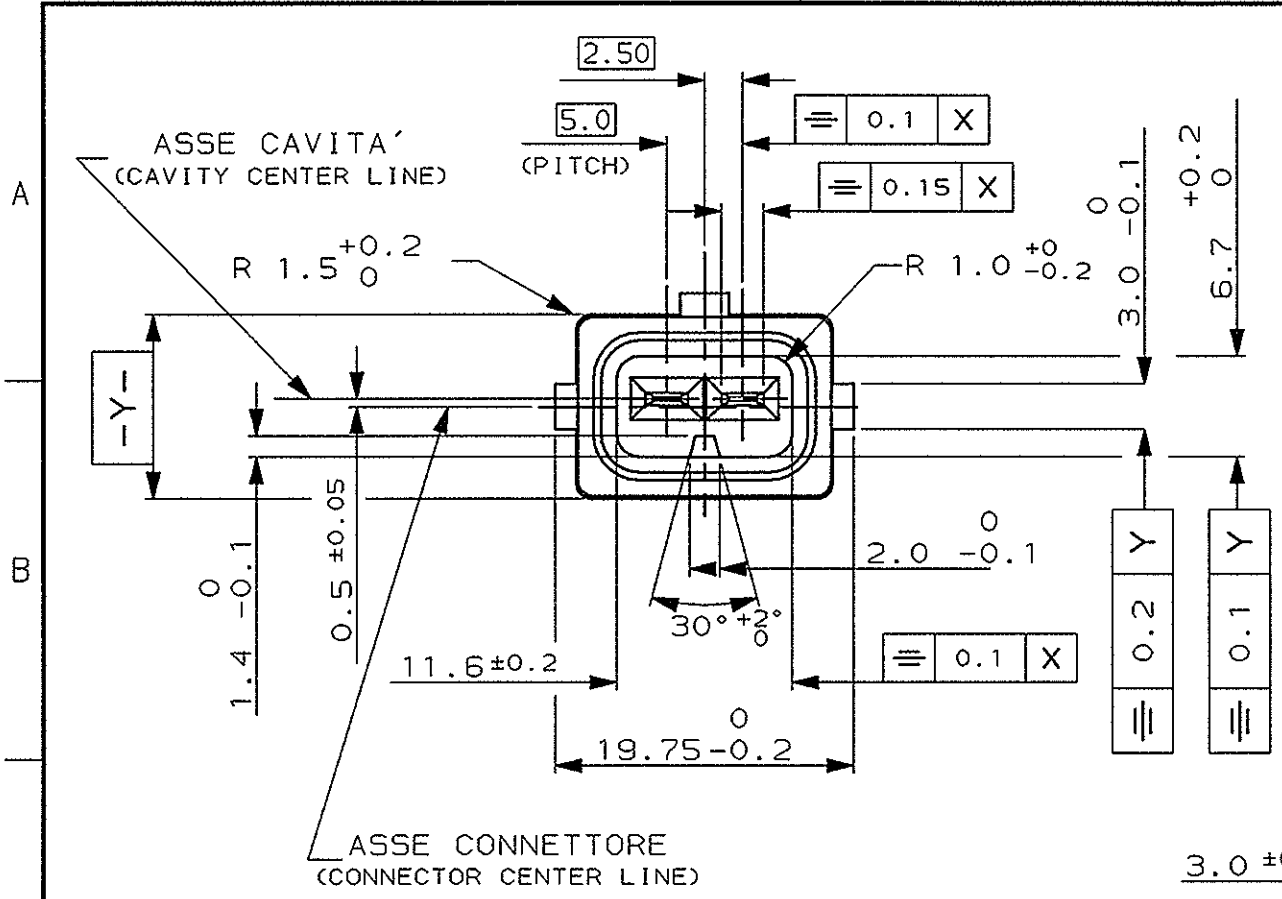


TIP. CAVITA' PER TERMINALI AMP JPT P/N 929939-...
OPPURE 929937-... E RELATIVI GOMMINI
AMP P/N 828904-1, 828905-1, 282536-1.
TAPPO CAVITA' P/N 828906-2
(TYP. CAV. FOR JPT CONT. P/N 929939-... A/O 929937-... AND REL.
SINGLE WIRE SEAL P/N 828904-1, 828905-1, 282536-1
CAVITY PLUG P/N 828906-2)

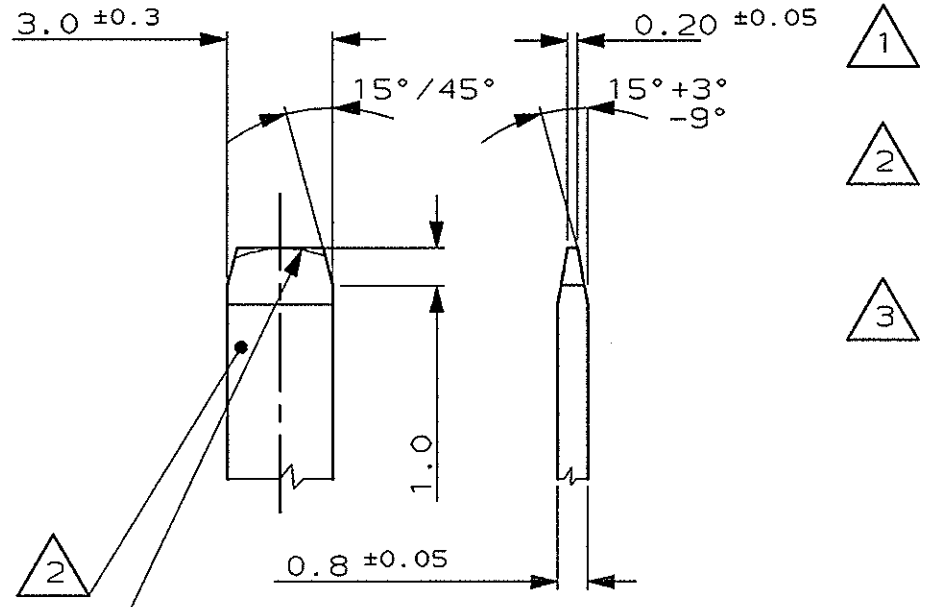
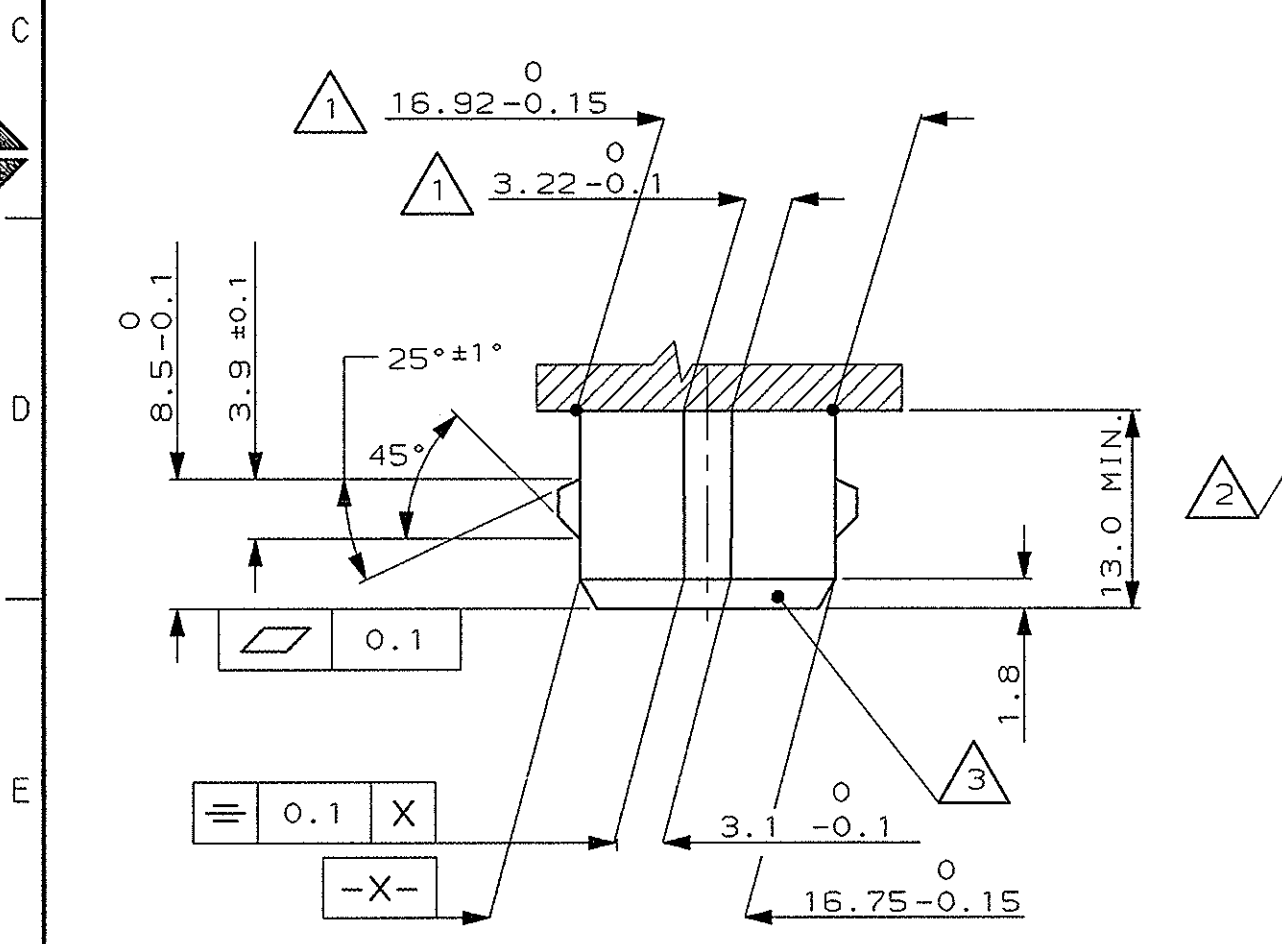
NERO (BLACK)	2-282189-1			
ROSSO (RED)	282189-8			
GIALLO (YELLOW)	282189-7			
MARRONE (BROWN)	282189-6	3	//////	ACCIAIO INOX (STAINLESS STEEL)
BLU (BLUE)	282189-5			MOLLA (SPRING)
VERDE (GREEN)	282189-4	2	NATURALE (CLEAR)	GOMMA SILICONICA (SILICONE RUBBER)
NATURALE (CLEAR)	282189-3			GUARNIZIONE (RUBBER GASKET)
GRIGIO (GREY)	282189-2	1	//////	PA 6.6 C.VETRO (PA 6.6 G.F.)
NERO (BLACK)	282189-1			BLOCCHETTO (HOUSING)
COLORE (COLOR)	NUMERO PART. N°	N° (ITEM)	FINITURA / COLORE (FINISH / COLOUR)	MATERIALE (MATERIAL)
L3	REVISED (ECR-06-024211)	M.G.		
L2	REVISED (ECR 05-012643)	M.G.		
L1	REVISED FOR ET00-0080-98	M.P.		
L	AGGIOR. CON ET00-0221-96	A.F.		
G	AGGIOR. CON ET00-0108-95	M.P.		
F	AGG. FOGLIO 2 (ADDED SH.2)	R.M.		
E	IN PRODUZIONE (IN PRODUCTION)	R.M.		
D	AGGIORNATO (REVISED)	R.M.		
C	AGGIORNATO (REVISED)	R.M.		
B	AGGIORNATO (REVISED)	R.M.		
A	WAS P/N C-90-51265-10	C.E.		
REV.	REVISIONI (REVISION RECORD)	DIS. (DR)	DATA (DATE)	APP. (APP.)
CUSTOMER DWG. FOR REFERENCE ONLY		DISEGNO PER CLIENTE SOLO PER RIFERIMENTO		
THIS DRAWING IS UNPUBLISHED		RELEASE FOR PUBLICATION 19		
© COPYRIGHT 19 BY AMP INCORPORATED, HARRISBURG, PA. ALL INTERNATIONAL RIGHT RESERVED. AMP PRODUCTS MAY BE COVERED BY U.S. AND FOREIGN PATENT AND/OR PATENT PENDING				
TOLLERANZE: SE NON DIVERSAMENTE SPECIFICATO (TOLERANCES, UNLESS OTHERWISE SPECIFIED)		DIAM. ISOLANTE (INS. DIA. RANGE)		SCALA (SCALE)
± 0.3		1.5-3.0 (REDUCED INS. CABLE)		***
ANGOLI (ANGLES)		± 2°		
DIS. NOV. 9 '90 (DR.)		Ennio CINI		
CONT. 13 OCT 92 (CHK)		C. TARTARI		
LOC. SIZE (LOC. NO)		REV.		FOGLIO (SHEET)
I A3		C-282189		L3 1
REV. (REV.)		NUMERO (CONG. NO)		DI. (OF)
				2

- 1 LOGO TYCO O, IN ALTERNATIVA, LOGO AMP (TYCO LOGO OR, IN ALTERNATIVE, AMP LOGO)
- 2 DIFFERISCE DAL ...-1 ESCLUSIVAMENTE PER IL PACKAGING (DIFFERS FROM ...-1 ONLY FOR PACKAGING DETAILS)
- 3) PER DIMENSIONI CONTROPARTE VEDERE FOGLIO 2 (FOR COUNTERPART DIMENSIONS SEE SHEET 2)

DISTRIBUZIONE (PRINT/DIST.)



DETT. LINGUETTA TAB-SCALA 5:1-
 (TAB DETAIL)



FORMA ALTERNATIVA PERMESSA CON RAGGIO
 (ALLOWED ALTERNATIVE PROFILE WITH RADIUS)

- 1 QUOTE APPLICABILI PER SFORMATURA PEZZO (DRAFT PERMITTED TO FACILITATE REMOVAL OF PART FROM THE MOULD)
- 2 MATERIALE LINGUETTE: LEGA DI RAME STAGNATA, ES. OTTONE STAGNATO. (TAB CONTACT MATERIAL: TIN PLATED COPPER ALLOY. E.G. BRASS TIN PLATED)
- 3 MATERIALE BLOCCHETTO: TERMOPLASTICO CARICATO FIBRA VETRO. (HOUSING MATERIAL: THERMOPLASTIC, GLASS FIBER FILLED)

FINITURA / COLORE (FINISH / COLOUR)		MATERIALE (MATERIAL)		NUMERO (PART NUMBER)
CUSTOMER DWG. FOR REFERENCE ONLY		DISEGNO PER CLIENTE SOLO PER RIFERIMENTO		19
THIS DRAWING IS UNPUBLISHED		RELEASE FOR PUBLICATION		
© COPYRIGHT 19 BY AMP INCORPORATED, HARRISBURG, PA. ALL INTERNATIONAL RIGHT RESERVED. AMP PRODUCTS MAY BE COVERED BY U.S. AND FOREIGN PATENT AND/OR PATENT PENDING				
TOLLERANZE: SE NON DIVERSAMENTE SPECIFICATO (TOLERANCES: UNLESS OTHERWISE SPECIFIED)		DIAM. ISOLANTE (INS. DIA. RANGE)	RANGO FILO (WIRE RANGE)	SCALA (SCALE)
± 0.3		---	---	---
ANGOLI (ANGLES) ± 2°		tyco Electronics AMP ITALIA S.p.A. Corso F. LUI Corvi, 15 COLLEGNO (TORINO)		
DIS. (DR.)		DESCRIZIONE (DESCRIPTION)		
CONT. (CHK)		2 POS. SPLASH PROOF CONN. ASS'Y with SECONDARY LOCK		
REV. (REV. LVL.)		LOC. SIZE	NUMERO (DWG NO)	REV. (REV. LVL.)
DIS. DATA (DR) (DATE)		I A3	C-282189	L3
APP. (APP. DATE)		FOGLIO (SHEET)		2 DI (OF) 2
SEE SHEET 1 OF 2				

DISTRIBUZIONE (PRINT DIST.)