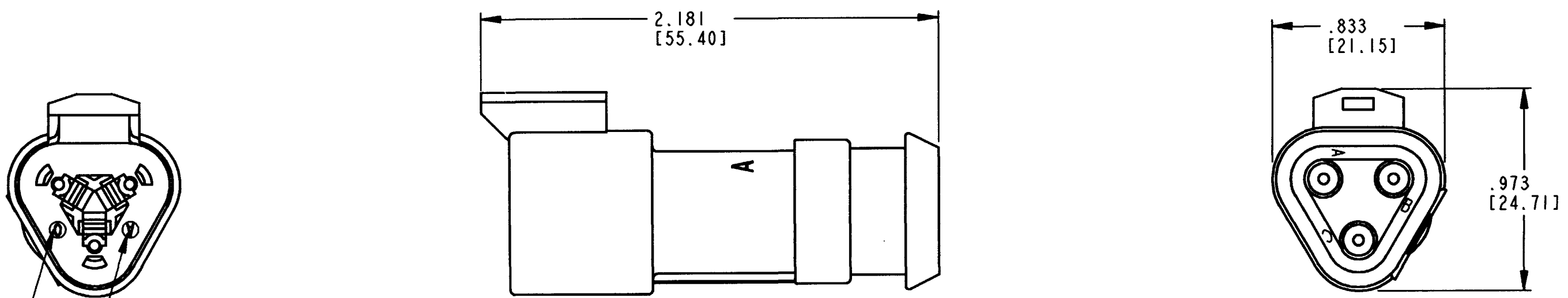


REV B	DT04-3P-E008	REVISIONS			
		SYM	DESCRIPTION	DATE	APPROVED
		NC	NEW RELEASE PER E.O. A14881	8/18/95	R.D.R
		A	REVISED PER E.O. A17530	11/26/01	R.D.R
B	REVISED PER E.O. A17814	7-1-02	RDR		



DATE CODE: SEQUENTIAL ALPHA CHARACTERS REPRESENT MONTH. EX: A = JANUARY

DATE CODE: YEAR IS REPRESENTED BY LAST NUMERICAL DIGIT. EX: 0 = 2000.

CONTACT SIZE	MIN. INSUL. O.D.	MAX. INSUL. O.D.	WIRE RANGE [mm ²] REF ONLY
16	.088 [2.24]	.145 [3.68]	14-20 AWG [2.0-0.5]

5. THIS RECEPTACLE MATES WITH THE DT06-3S-**** PLUG. (**** = ALL MODIFICATIONS). CONSULT FACTORY FOR MODIFICATIONS.
4. THIS CONNECTOR CAN PASS THRU A ONE INCH HOLE.
3. FOR CONTACTS AND WIRE PERFORMANCE AND APPLICATION CHARACTERISTICS, SEE ENVELOPE DRAWINGS 0425-015-0000 AND 0425-017-0000.
2. DIMENSIONS ARE ±.025 [0.64] UNLESS OTHERWISE SPECIFIED.
1. ALL DIMENSIONS ARE IN INCHES [MILLIMETERS].

NOTES:

SIGNATURE & DATE		3 WAY RECEPTACLE -E008 MOD. DT SERIES	CP	MATL. CODE	
DR	T. YOHANNES 12NOV01		The Deutsch Company DEUTSCH I.P.D. 3850 INDUSTRIAL AVE. HEMET, CALIF. 92545		
CHK	<i>Jamie Spartz 6/21/02</i>		B	DT04-3P-E008	
PE	<i>T. Johannes 6/21/02</i>			DWG. CODE	SHEET OF
APPD	<i>Spartz 6-26-02</i>	ENVELOPE	11139		
SCALE	NONE	WT			