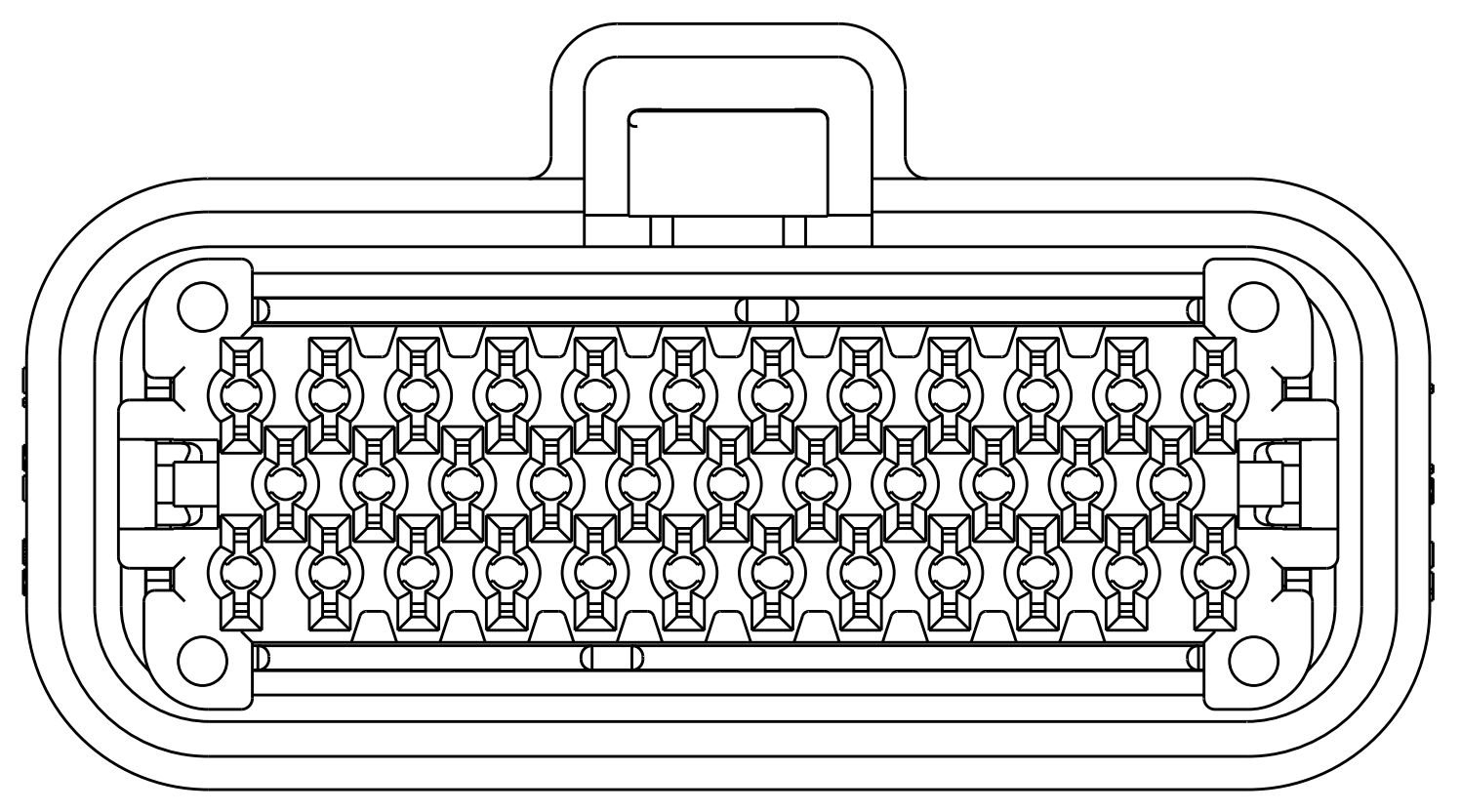
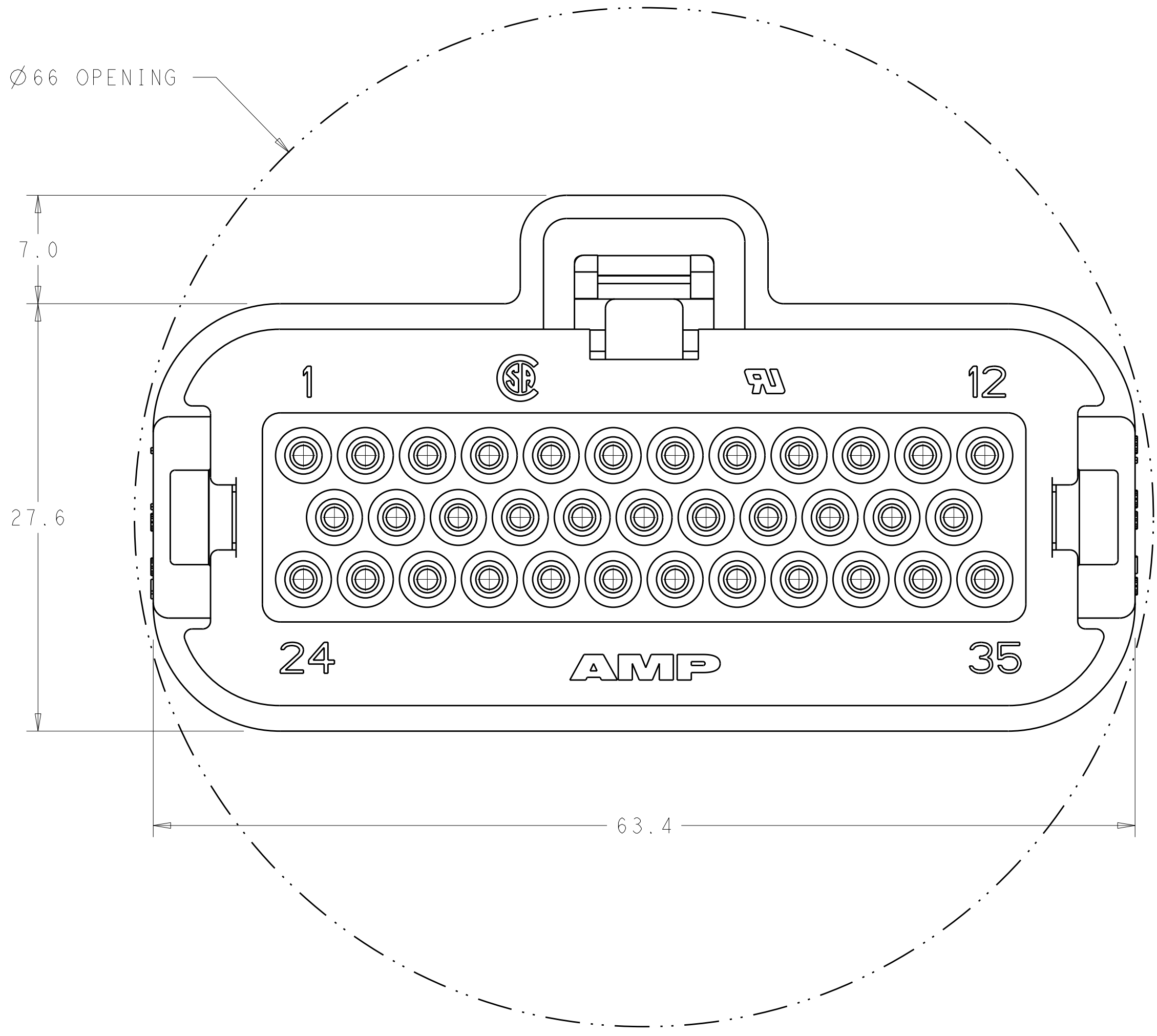
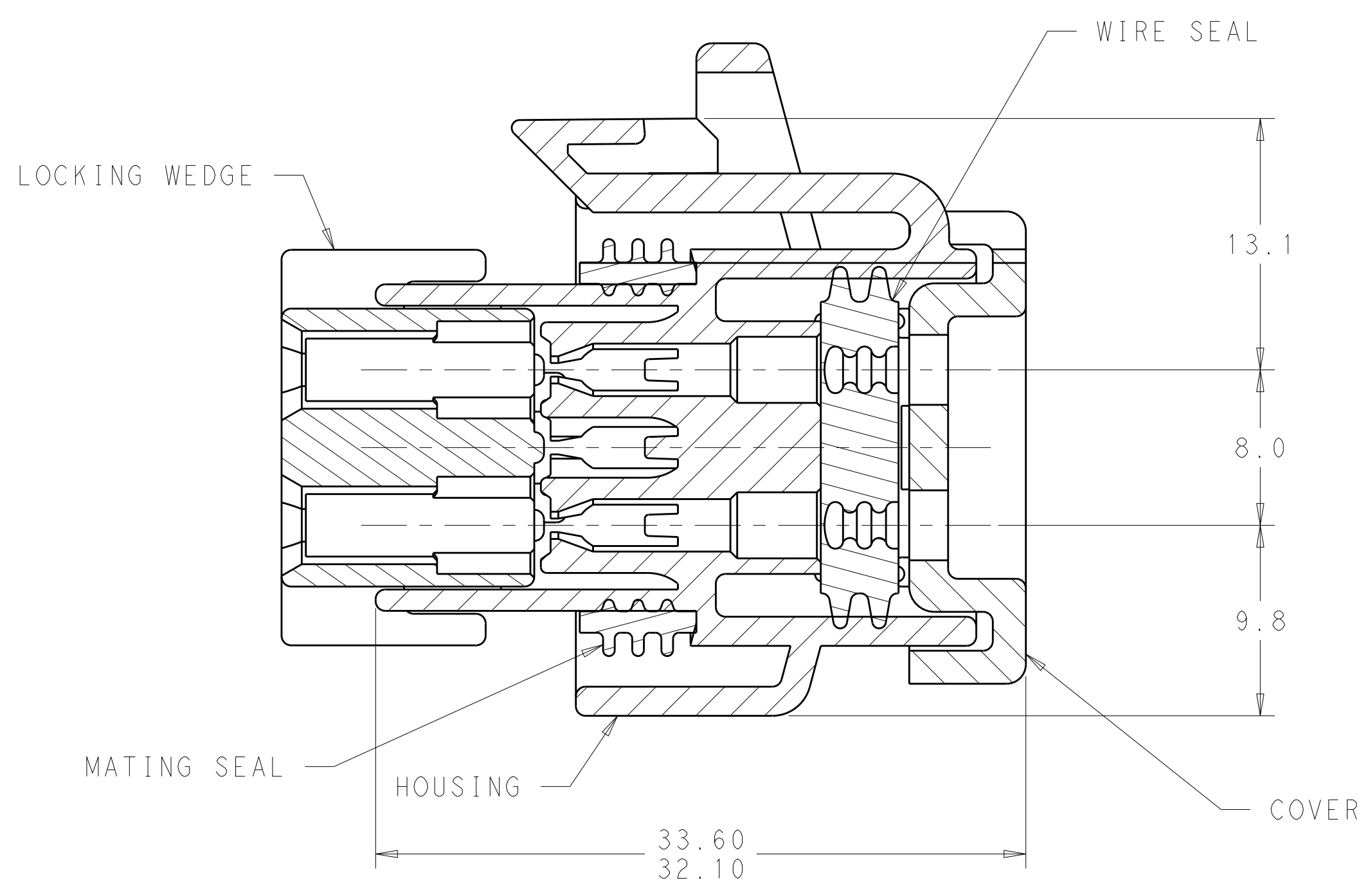


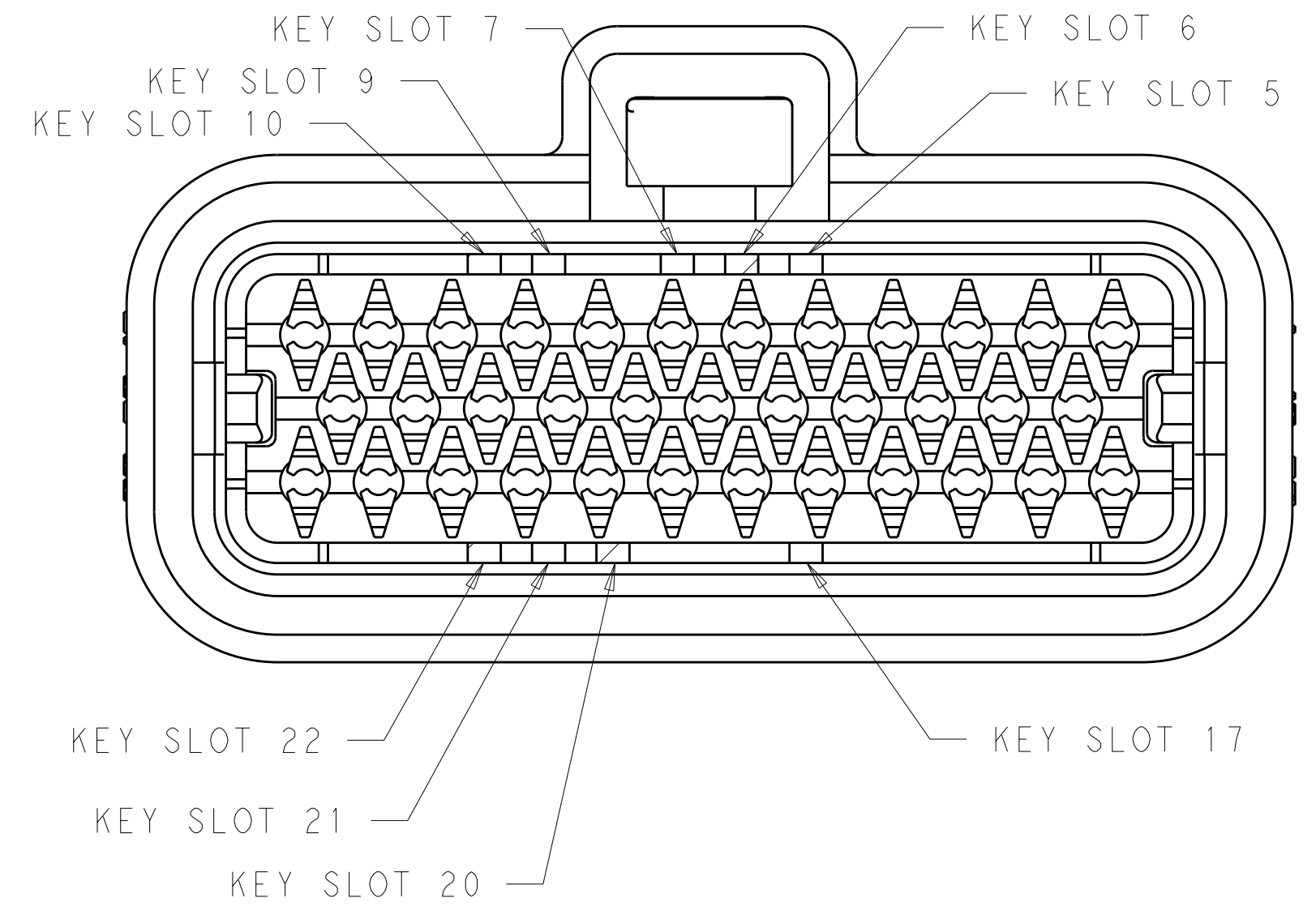
LOC	DIST	REV	DATE	BY	CHK	APPV
HK	00	E	03NOV2009	RGV	DCS	

REVISIONS
 DESCRIPTION DATE DWN APVD
 REVISD PER ECO-09-022386 03NOV2009 RGV DCS

ASSEMBLY WILL PASS THRU Ø66 OPENING



BOTTOM VIEW WITH LOCKING WEDGE
 SCALE 3:1



KEY SLOT LOCATIONS
 SCALE 3:1

7 & 22	776164-6
5, 10 & 22	776164-5
9 & 21	776164-4
7 & 17	776164-2
6 & 20	776164-1
KEY SLOT LOCATION (SEE VIEW ABOVE)	PART NUMBER

GLASS FILLED PBT, BLACK	SILICONE RUBBER, RED	SILICONE RUBBER, RED	PBT, RED	PBT, ORANGE	776164-6
				PBT, BLUE	776164-5
				PBT, GRAY	776164-4
				PBT, NATURAL	776164-2
				PBT, BLACK	776164-1
COVER	WIRE SEAL	MATING SEAL	LOCKING WEDGE	HOUSING	PART NUMBER

DIMENSIONS: mm 		TOLERANCES UNLESS OTHERWISE SPECIFIED: 9 PLC ±0.2 3 PLC ± 5 PLC ± 4 PLC ± ANGLES ±		DWN R. VESTAL 08SEP2009 CHK D. STRAUSSER 08SEP2009 APVD D. STRAUSSER 08SEP2009 PRODUCT SPEC 108-1329 APPLICATION SPEC 114-16016 WEIGHT - FINISH - CUSTOMER DRAWING		Tyco Electronics Harrisburg, PA 17105-3608 NAME: PLUG ASSEMBLY, 35 POSITION, AMPSEAL SIZE: A100779 C=776164 SCALE: 4:1 SHEET 1 OF 1 REV E	
--------------------	--	---	--	---	--	---	--