



Profiled gasket GDM 3-16 NBR included  
 GDM2011 Black housing RS 488-949  
 GDM2011 Grey housing RS 226-4341

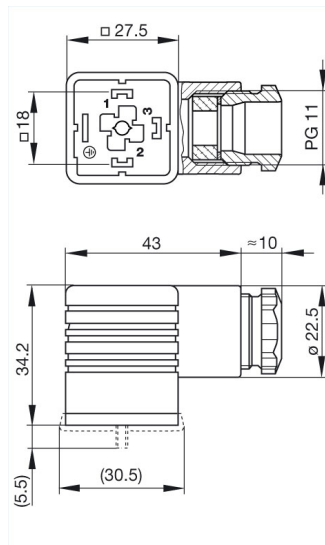
## GDM 2011 schwarz/black

Rectangular connectors GDM-series:Type A EN 175301-803 (DIN 43650) / ISO 4400: Cable socket, self-assembly

### Product description

Description	cable socket with central screw M 3 x 35
Type	GDM 2011 schwarz/black
Order No.	931 957-100
Other standard types	grey housing, Order no. 931 957-106
Number of contacts	2 + PE
Cable gland	PG 11
Conductor size	max. 1.5 mm <sup>2</sup>
Standard	DIN EN 175 301-803-A
Housing Color	black
Construction type	A

### Drawing



### Technical data

Pin dimensions	6.3 mm x 0.8 mm, 4.8 mm x 0.8 mm
Rated voltage	UC 250 V
Rated current	16 A
Contact resistance	<= 4 mOhm
Type of termination	screw
Suitable cables	6 mm to 9 mm diameter
Mounting	central nut

### Material

Contact surface material	Sn
Contact bearer material	PA
Housing material	PA

### Environmental conditions

Protection class (IEC 60529)	IP 65 (gasket necessary)
Pollution severity	3
Temperature range	-40 °C to +125 °C
<b>Inflammability class</b>	
Housing	94 HB
Contact bearer	94 HB
<b>Approvals</b>	
VDE	VDE
SEV	SEV
CSA	CSA
<b>Packaging unit</b>	
Packaging unit	200 pieces
<b>Scope of delivery and accessories</b>	
Accessories to order separately	(NBR) flat gasket GDM 3-7, Order no. 730 801-002; (ECO) flat gasket GDM 3-21, Order no. 731 739-002; profiled gasket GDM 3-16, Order no. 731 531-002; knurled screw GDM 3011-8, Order no. 732 574-001; stainless steel screw GDM 3011 RF-1, Order no. 734 363-001



## GDM 3-16 NBR schwarz/black

Rectangular connectors GDM-series:Accessories:Accessories for cable socket:Accessories for cable socket model A

### Product description

Description	profiled gasket for GDM...
Type	GDM 3-16 NBR schwarz/black
Order No.	731 531-002
Colour	black

### Material

Material	NBR
----------	-----

### Environmental conditions

Temperature range	-30 °C to +90 °C
-------------------	------------------

### Packaging unit

Packaging unit	50 pieces
----------------	-----------