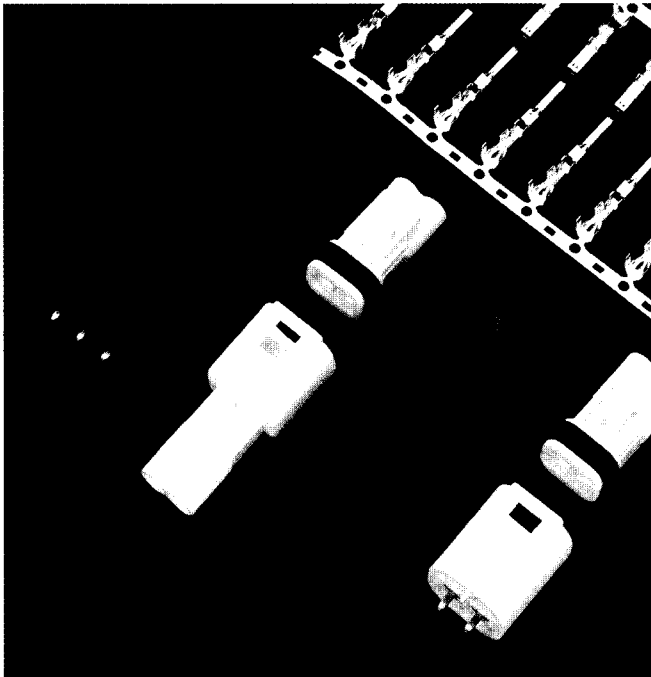


570 SERIES WATERPROOF CONNECTOR

Plug, Receptacle & Board Mount



Example Part Number **570 - 003 - 000 - 1 0 0**

Series _____
 Total Number of Contacts _____
 Contact Code _____
 Style _____
 Wire Diameter _____
 Termination _____

Series 570

Total Number of Contacts 001, 002 or 003

Contact Code ^{1,2}
 000 No Contacts Assembled
 420 Board Mount Contacts Installed

Style ³
 1 Plug
 2 Receptacle

Wire Diameter ⁴
 0 None installed; both contacts and water seals sold separately

Termination
 0 Wire crimp terminals required
 1 PC Board Mount

Ordering Code Notes

1) Crimp contacts are available for the 570 series connectors. Contacts may be ordered separately for pre-wired or select position assembly.

Part Number	Description
570-290-711	Male contact for smaller gauge wire
570-290-721	Female contact for smaller gauge wire
570-290-731	Male contact for larger gauge wire
570-290-741	Female contact for larger gauge wire

2) For contact installation, removal and crimping tools, refer to page 7.

3) Insulator design prevents improper mating of individual plug and receptacle.

4) Wire Seals are available as follows:

Part Number	Colour	Insulation Dia	Flange
570-260-001	Black	.067" (1.7) to .075" (1.9)	No
570-260-002	Blue	.079" (2.0) to .102" (2.6)	No
570-260-003	Blue	.083" (2.1) to .106" (2.7)	Yes
570-260-004	Brown	.106" (2.7) to .122" (3.1)	Yes

Fully waterproof connector

Plastic latch provides both locking mechanism and polarity
 5.8 mm Contact Spacing

Plug and Receptacle in 2 or 3 Contact positions

Board Mount Style available in 1, 2 or 3 contact positions

Contact Termination Options include Crimp and P.C. Tail
 Tools Available for Contact Installation, Removal and Crimping

Able to carry large current up to 10 A

Insulator Material: PBT (UL94V-0)

Contact Material: Brass / Tin plating

Wire Housing Seal: Silicone Rubber

Current Rating: 10 Amperes maximum

Contact Resistance: 10m Ω Maximum

Insulator Withstanding Voltage: 1700 V AC rms at Sea Level

Insulation Resistance: 1000M Ω Minimum at 500 VDC

Operating Temperature: -40 to +105 Degrees C

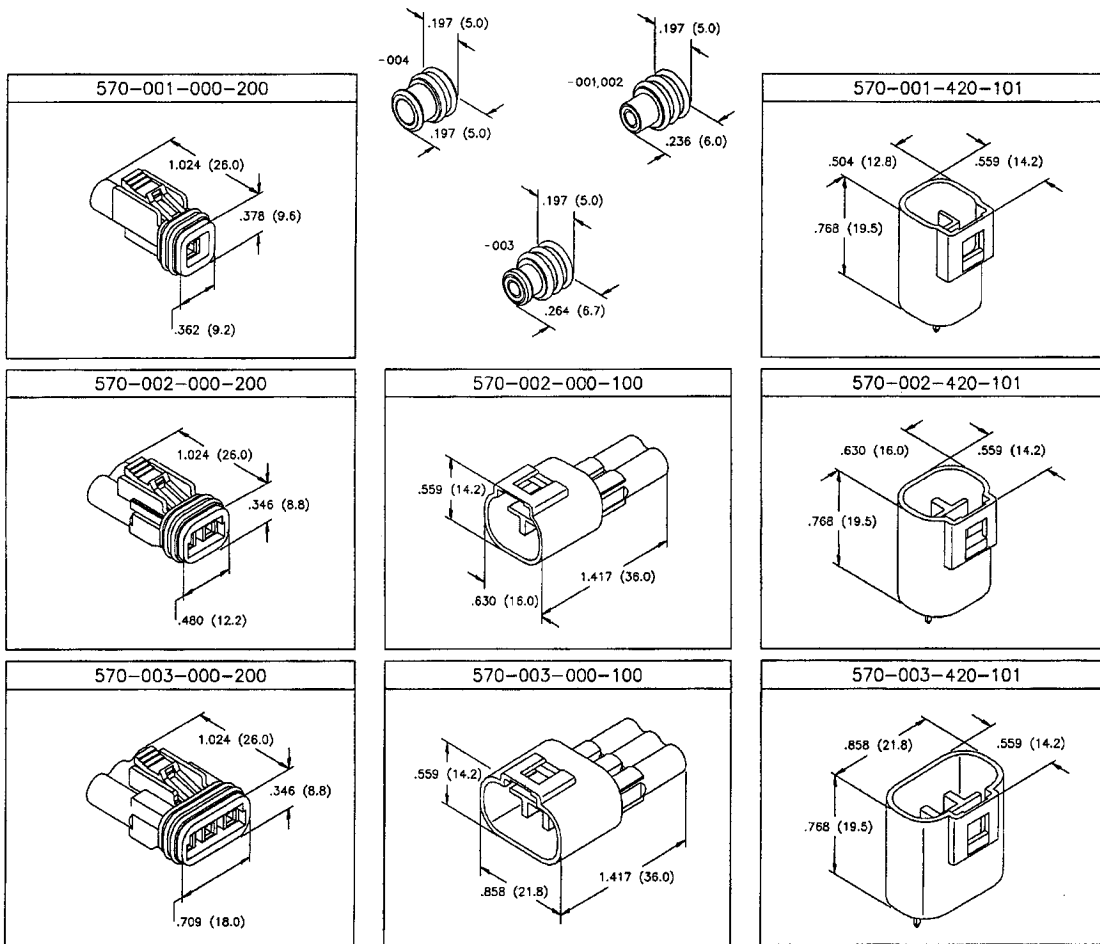
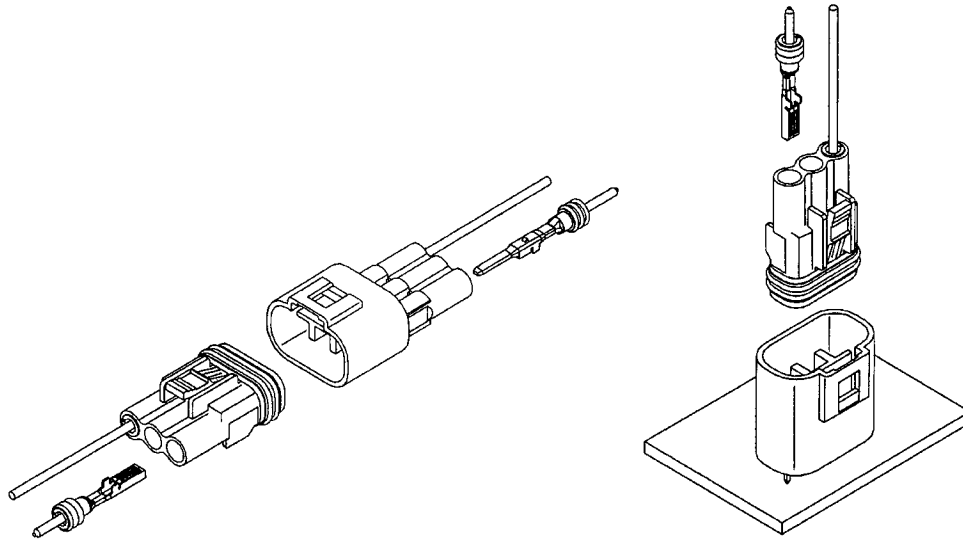
Rated Voltage: 300 V

Waterproof Grade 4

For use with PC boards up to (.063") 1.6mm

570 SERIES WATERPROOF CONNECTOR

Plug, Receptacle & Board Mount



ASSEMBLY LAYOUT

- ① WIRE SEAL
- ② F TERMINAL
- ③ 570-NNN-000-200
- ④ HOUSING SEAL
- ⑤ M TERMINAL
- ⑥ 570-NNN-000-100
- ⑦ 570-NNN-000-101

