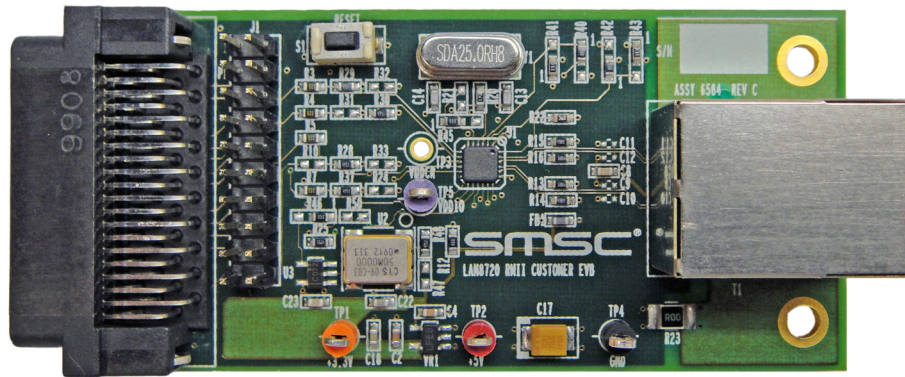


EVB8720 Evaluation Board User Manual



Copyright © 2010 SMSC or its subsidiaries. All rights reserved.

Circuit diagrams and other information relating to SMSC products are included as a means of illustrating typical applications. Consequently, complete information sufficient for construction purposes is not necessarily given. Although the information has been checked and is believed to be accurate, no responsibility is assumed for inaccuracies. SMSC reserves the right to make changes to specifications and product descriptions at any time without notice. Contact your local SMSC sales office to obtain the latest specifications before placing your product order. The provision of this information does not convey to the purchaser of the described semiconductor devices any licenses under any patent rights or other intellectual property rights of SMSC or others. All sales are expressly conditional on your agreement to the terms and conditions of the most recently dated version of SMSC's standard Terms of Sale Agreement dated before the date of your order (the "Terms of Sale Agreement"). The product may contain design defects or errors known as anomalies which may cause the product's functions to deviate from published specifications. Anomaly sheets are available upon request. SMSC products are not designed, intended, authorized or warranted for use in any life support or other application where product failure could cause or contribute to personal injury or severe property damage. Any and all such uses without prior written approval of an Officer of SMSC and further testing and/or modification will be fully at the risk of the customer. Copies of this document or other SMSC literature, as well as the Terms of Sale Agreement, may be obtained by visiting SMSC's website at <http://www.smssc.com>. SMSC is a registered trademark of Standard Microsystems Corporation ("SMSC"). Product names and company names are the trademarks of their respective holders.

SMSC DISCLAIMS AND EXCLUDES ANY AND ALL WARRANTIES, INCLUDING WITHOUT LIMITATION ANY AND ALL IMPLIED WARRANTIES OF MERCHANTABILITY, FITNESS FOR A PARTICULAR PURPOSE, TITLE, AND AGAINST INFRINGEMENT AND THE LIKE, AND ANY AND ALL WARRANTIES ARISING FROM ANY COURSE OF DEALING OR USAGE OF TRADE. IN NO EVENT SHALL SMSC BE LIABLE FOR ANY DIRECT, INCIDENTAL, INDIRECT, SPECIAL, PUNITIVE, OR CONSEQUENTIAL DAMAGES; OR FOR LOST DATA, PROFITS, SAVINGS OR REVENUES OF ANY KIND; REGARDLESS OF THE FORM OF ACTION, WHETHER BASED ON CONTRACT; TORT; NEGLIGENCE OF SMSC OR OTHERS; STRICT LIABILITY; BREACH OF WARRANTY; OR OTHERWISE; WHETHER OR NOT ANY REMEDY OF BUYER IS HELD TO HAVE FAILED OF ITS ESSENTIAL PURPOSE, AND WHETHER OR NOT SMSC HAS BEEN ADVISED OF THE POSSIBILITY OF SUCH DAMAGES.

1 Introduction

The LAN8720A is a low-power, small form factor, highly integrated analog interface IC for high-performance embedded Ethernet applications. The LAN8720A requires only a single +3.3V supply and provides an integrated +1.2V supply to run the core digital logic.

The EVB8720 is a PHY Evaluation Board (EVB) that interfaces a Reduced Media Independent Interface (RMII) MAC controller to the LAN8720A Ethernet RMII PHY via a 40-pin connector. The LAN8720A is connected to an RJ45 Ethernet jack with integrated magnetics for 10/100 connectivity. A simplified block diagram of the EVB8720 can be seen in [Figure 1.1](#).

Note: Revisions 1.1 and later of the EVB8720 Evaluation Board User Manual pertain to EVB8720 assembly number 6584. For information on the older, discontinued EVB8720 assembly number 7170AZ, refer to revision 1.0 of the EVB8720 Evaluation Board User Manual. For identification purposes, the EVB8720 assembly number is silkscreened onto the front of the evaluation board.

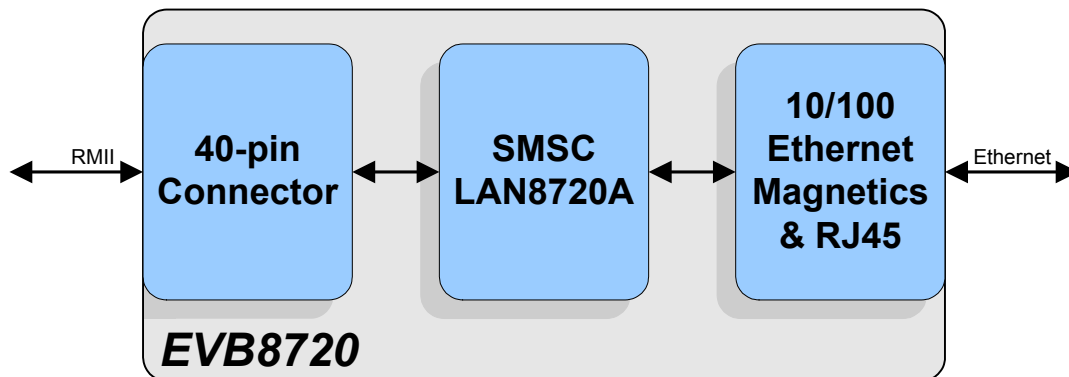


Figure 1.1 EVB8720 Block Diagram

1.1 References

Concepts and material available in the following documents may be helpful when reading this document.

Table 1.1 References

DOCUMENT	LOCATION
<ul style="list-style-type: none"> ■ SMSC LAN8720A Datasheet 	http://www.smc.com/lan8720a
<ul style="list-style-type: none"> ■ AN18-20 Migrating from the LAN8700 to the LAN8710A/LAN8720A ■ AN8-13 Suggested Magnetics 	http://www.smc.com/lan8720a
<ul style="list-style-type: none"> ■ SMSC LAN8720A Evaluation Board Schematic 	http://www.smc.com/lan8720a

2 Board Details

This section includes the following EVB8720 board details:

- [Power](#)
- [Configuration](#)
- [Mechanicals](#)

2.1 Power

2.1.1 +5V Power

Power is normally supplied to the EVB8720's +3.3V regulator externally via the +5V power pins of the 40-pin connector. If desired, the EVB8720 can be powered without +5V present on the 40-pin connector (P1) by supplying +5V to the TP2 (red) test point with ground connected to pin 20 of the J1 header.

Note: Before connecting an external power supply to TP2, ensure power is not present on the 40-pin connector's +5V pins. Connecting +5V simultaneously via the 40-pin connector and TP2 may result in permanent damage to the board.

2.1.2 VDDIO Power

The LAN8720A's VDDIO power may be supplied at a voltage other than +3.3V by depopulating resistor R12 and supplying +1.6V to +3.6V externally via test point TP5 (purple), with ground connected to pin 20 of the J1 header.

Note: Before connecting an external power supply to TP5, ensure that resistor R12 has been removed. Connecting an external power supply to TP5 while resistor R12 is populated may result in permanent damage to the board.

2.1.3 +1.2V Power

The LAN8720A's internal +1.2V regulator can be optionally disabled. Refer to [Section 2.2.4, "Internal +1.2V Regulator Configuration \(REGOFF\)," on page 7](#) for additional information.

2.2 Configuration

The following sub-sections describe the various board features and configuration settings. A top view of the EVB8720 is shown in [Figure 2.1](#).

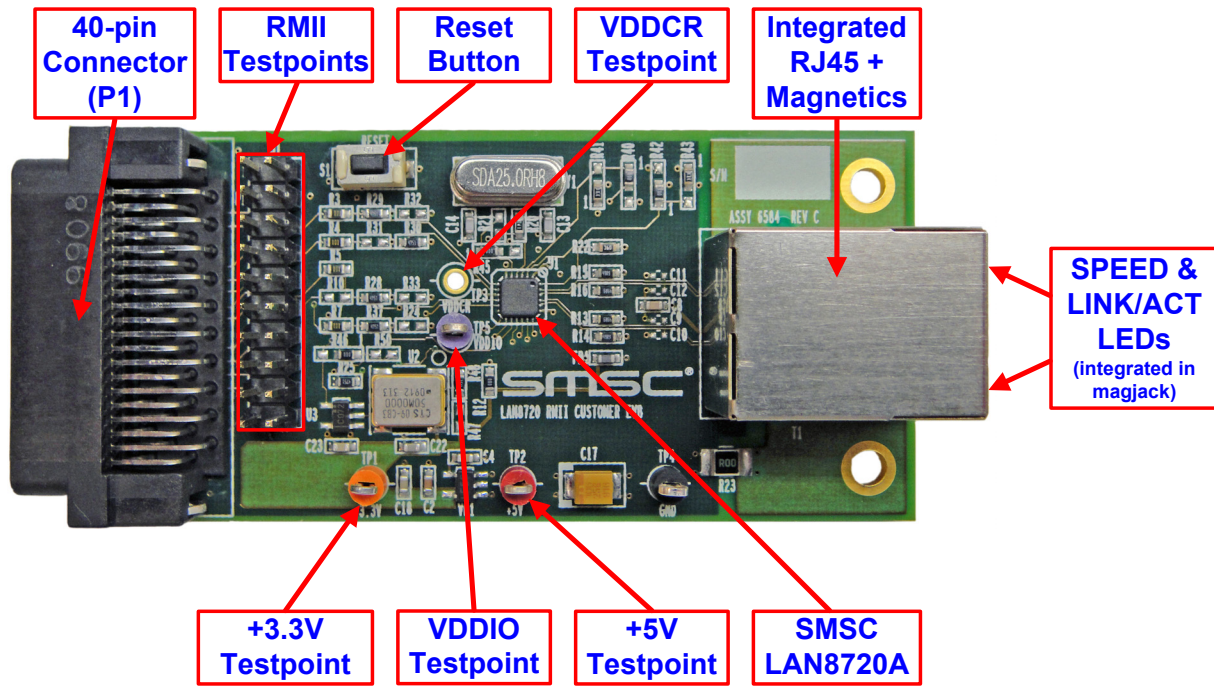


Figure 2.1 Top View of the EVB8720

2.2.1 PHY Address Configuration

The EVB8720 allows the user to configure the default PHY address at power-up via the PHYAD[0] configuration strap. [Table 2.1](#) details the proper configuration required for each PHY address value. By default, PHYAD[0] is configured to a value of "0".

Table 2.1 PHYAD[0] Resistor Configuration

PHYAD[0]	PHYAD[0] PULL-UP/DOWN RESISTORS	
	R24	R37
0 (Default)	<i>Depopulate</i>	Populate
1	Populate	<i>Depopulate</i>

2.2.2 Boot Mode Configuration

The EVB8720 can be configured to boot into a specific mode of operation at power-up via the MODE[2:0] configuration straps. Table 2.2 details the proper configuration required for each mode. By default, all EVB8720 MODE[2:0] straps are configured to a value of “1”.

Note: For additional details on each mode of operation, refer to the LAN8720A datasheet.

Table 2.2 MODE[2:0] Resistor Configuration

MODE[2:0]	MODE[2:0] PULL-UP/DOWN RESISTORS					
	MODE2		MODE1		MODE0	
	R28	R33	R29	R32	R30	R31
000 10BASE-T Half Duplex Auto-neg disabled	<i>Depopulate</i>	Populate	<i>Depopulate</i>	Populate	<i>Depopulate</i>	Populate
001 10BASE-T Full Duplex Auto-neg disabled	<i>Depopulate</i>	Populate	<i>Depopulate</i>	Populate	Populate	<i>Depopulate</i>
010 100BASE-TX Half Duplex Auto-neg disabled	<i>Depopulate</i>	Populate	Populate	<i>Depopulate</i>	<i>Depopulate</i>	Populate
011 100BASE-TX Full Duplex Auto-neg disabled	<i>Depopulate</i>	Populate	Populate	<i>Depopulate</i>	Populate	<i>Depopulate</i>
100 100BASE-TX Half Duplex Auto-neg enabled	Populate	<i>Depopulate</i>	<i>Depopulate</i>	Populate	<i>Depopulate</i>	Populate
101 Repeater mode	Populate	<i>Depopulate</i>	<i>Depopulate</i>	Populate	Populate	<i>Depopulate</i>
110 Power Down mode	Populate	<i>Depopulate</i>	Populate	<i>Depopulate</i>	<i>Depopulate</i>	Populate
111 (Default) All capable. Auto-neg enabled	Populate	<i>Depopulate</i>	Populate	<i>Depopulate</i>	Populate	<i>Depopulate</i>

2.2.3 Clocking and nINT/REFCLKO Pin Configuration (nINTSEL)

The nINT and REFCLKO functions share a common LAN8720A pin. This pin can operate in two functional modes: nINT (Interrupt) Mode and REFCLKO Mode. The nINTSEL configuration strap is used to select one of these two modes.

Additionally, the EVB8720 allows clock source selection in each mode, resulting in the four modes of operation detailed in [Figure 2.2](#). In nINT mode, the clock can be sourced from the partner device or via the on-board 50MHz oscillator. In REFCLKO mode, the clock can be sourced from one of the on-board clock sources (25MHz crystal or 50MHz oscillator). The EVB8720 must be properly configured for each mode as detailed in [Table 2.3](#).

Note: The nINTSEL configuration strap shares functionality with LED2. Therefore, LED2 may function active-high or active-low depending on the nINTSEL configuration. For additional information on the functionality of the nINT/REFCLKO and LED2/nINTSEL pins, refer to the LAN8720A Datasheet and LAN8720A schematics.

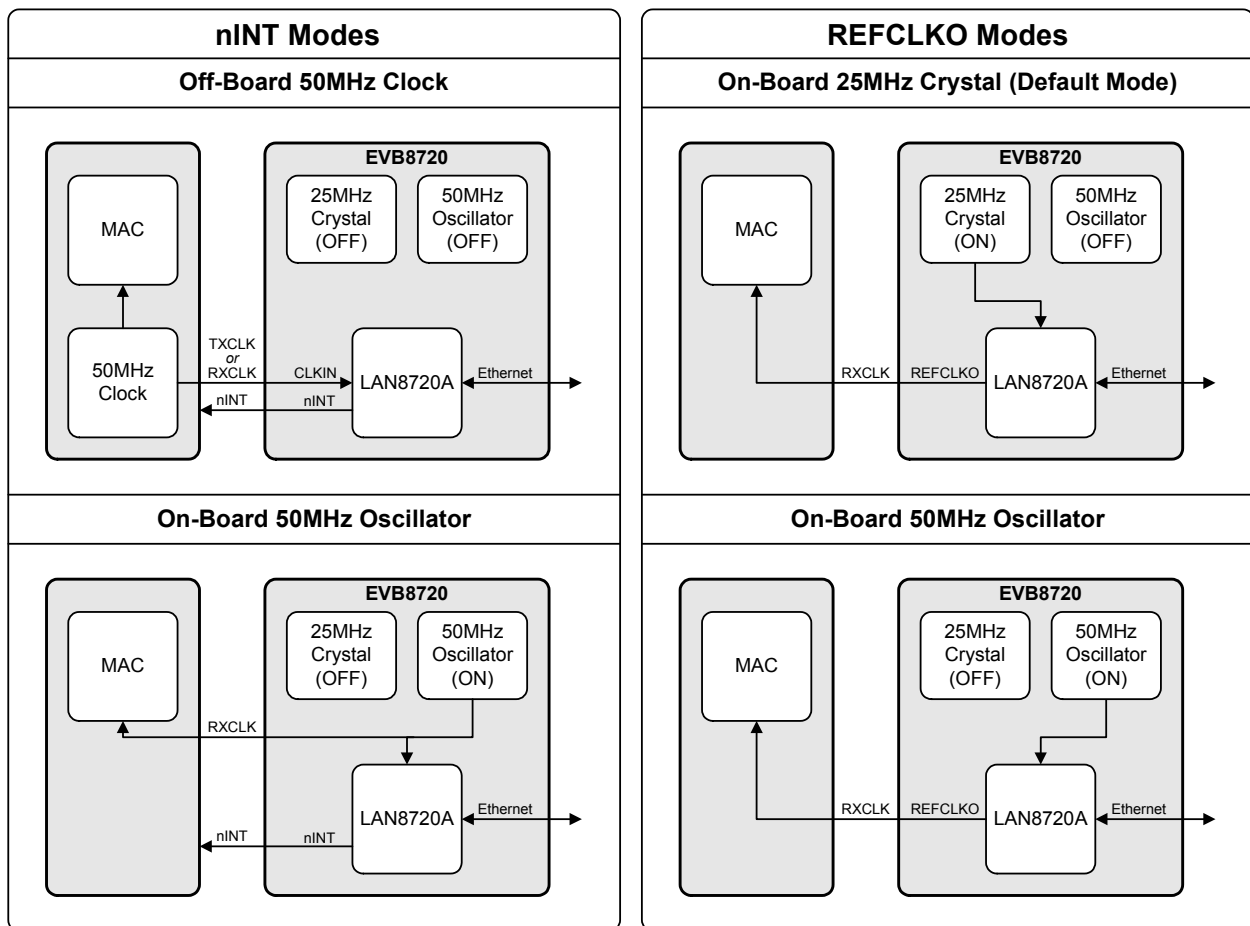


Figure 2.2 EVB8720 nINT & REFCLKO Modes of Operation

Table 2.3 nINT/REFCLKO Modes Resistor Configuration

FUNCTIONAL MODE		RELATED RESISTORS							
		R20	R42,R43	R45	R46	R47	R48	R49	R50
nINT Mode Off-Board 50MHz Clock (Note 2.1)	via TXCLK	Depopulate	Depopulate 1-2 Populate 2-3	Depopulate 1-2 Depopulate 2-3	Depopulate 1-2 Depopulate 2-3	Depopulate	Populate	Populate	Populate
	via RXCLK	Depopulate	Depopulate 1-2 Populate 2-3	Depopulate 1-2 Populate 2-3	Depopulate 1-2 Populate 2-3	Depopulate	Populate	Depopulate	Populate
nINT Mode On-Board 50MHz Osc.		Depopulate	Depopulate 1-2 Populate 2-3	Depopulate 1-2 Populate 2-3	Depopulate 1-2 Populate 2-3	Populate	Depopulate	Depopulate	Populate
REFCLKO Mode On-Board 25MHz Crystal (Default)		Populate	Populate 1-2 Depopulate 2-3	Populate 1-2 Depopulate 2-3	Populate 1-2 Depopulate 2-3	Depopulate	Populate	Depopulate	Depopulate
REFCLKO Mode On-Board 50MHz Osc.		Depopulate	Populate 1-2 Depopulate 2-3	Depopulate 1-2 Populate 2-3	Populate 1-2 Depopulate 2-3	Populate	Depopulate	Depopulate	Depopulate

Note 2.1 The off-board 50MHz clock can be routed to the CLKIN pin of the LAN8720A via the TXCLK or RXCLK pin of the 40-pin connector. The related resistors must be populated as shown for each mode. When using RXCLK to route the 50MHz clock to the CLKIN pin of the LAN8720A, component U3 must be depopulated.

2.2.4 Internal +1.2V Regulator Configuration (REGOFF)

The LAN8720A provides the ability to disable the internal +1.2V regulator. When the regulator is disabled, an external +1.2V must be supplied to the VDDCR pin (via TP3). Configuration of the internal regulator is controlled by the REGOFF configuration strap. The EVB8720 must be properly configured for each mode as follows:

Internal +1.2V Regulator Enabled (Default EVB8720 Mode)

- Populate the 1-2 positions of R40 and R41 to pull-down the REGOFF strap (enable regulator).
- Depopulate the 2-3 positions of R40 and R41.

Internal +1.2V Regulator Disabled

- Populate the 2-3 positions of R40 and R41 to pull-up the REGOFF strap (disable regulator).
- Depopulate the 1-2 positions of R40 and R41.

Note: The REGOFF configuration strap shares functionality with LED1. Therefore, LED1 may function active-high or active-low depending on the REGOFF configuration. For additional information on the LED1/REGOFF pin and the disabling of the internal 1.2V regulator (power sequencing requirements, etc.), refer to the LAN8720A Datasheet and LAN8720A schematics.

2.2.5 LEDs

Table 2.4 LEDs

REFERENCE	COLOR	INDICATION
LED1	Green	Link/Activity Active when the PHY has established a valid link with a link partner and blinks when activity is detected.
LED2	Yellow	Speed Active when a 100BASE-TX link has been established. Inactive when a 10BASE-T link has been established or during line isolation.

Note: LED1 and LED2 are located inside the RJ45 connector. LED1 and LED2 may function active-high or active-low depending on the configuration of the REGOFF and nINTSEL straps, respectively. Refer to the LAN8720A Datasheet and LAN8720A schematics for additional information.

2.2.6 Test Points

Table 2.5 Test Points

TEST POINT	DESCRIPTION	CONNECTION
TP1	+3.3V Test Point (Orange)	+3.3V
TP2	+5.0V Test Point (Red)	+5.0V
TP3	+1.2V VDDCR Test Point (Unpopulated) (Note 2.2)	+1.2V
TP4	Ground Test Point (Black)	Ground
TP5	VDDIO Test Point (Purple)	+3.3V (Note 2.3)

Note 2.2 VDDCR is the internal +1.2V regulated output. When REGOFF is enabled, the internal 1.2V regulator is disabled. In this case, an external 1.2V regulator must be supplied to test point TP3.

Note 2.3 The LAN8720A's VDDIO power may be supplied externally at a voltage other than +3.3V as described in [Section 2.1, "Power," on page 3](#).

2.2.7 System Connections

Table 2.6 System Connections

PLUG/HEADER	DESCRIPTION	PART
T1	RJ45 with Integrated LEDs	Pulse J0011D01BNL
J1	2x10 RMII Header Note: Refer Table 2.7 to for a full pin list	Adam Tech PH2-20-U-A
P1	40-pin Female Connector Note: Refer Table 2.8 to for a full pin list	Tyco 5173278-2

Table 2.7 J1 - 2x10 RMII Header Pinout

HEADER PIN	DESCRIPTION	HEADER PIN	DESCRIPTION
1	+3.3V	11	nINT (Note 2.6)
2	VDDIO	12	TXCLK (Note 2.7)
3	nRST	13	TXEN
4	No Connect	14	Ground
5	MDC	15	TXD0
6	MDIO (Note 2.4)	16	Ground
7	RXD1/ <u>MODE1</u>	17	TXD1
8	RXD0/ <u>MODE0</u>	18	Ground
9	RXER/ <u>PHYAD0</u>	19	CRS_DV/ <u>MODE2</u>
10	RXCLK (Note 2.5)	20	Ground

Note 2.4 Resistor R11 acts as a pull-up on the MDIO pin. In most situations, the MAC circuitry provides this pull-up and R11 is not required.

Note 2.5 The functionality of pin 10 depends on the configured mode of operation. Pin 10 will be driven by REFCLKO in the REFCLKO modes of operation. In the nINT on-board 50MHz oscillator mode, pin 10 will be driven by the EVB8720's on-board 50MHz oscillator. In the nINT off-board 50MHz clock mode, pin 10 is either unconnected (50MHz clock provided by the partner device via the TXCLK pin) or used to provide the 50MHz clock to the CLKIN pin of the LAN8720A. Refer to [Section 2.2.3, "Clocking and nINT/REFCLKO Pin Configuration \(nINTSEL\)," on page 6](#) and the LAN8720A schematic for additional information.

Note 2.6 The functionality of pin 11 depends on the configured mode of operation. Pin 11 will be driven by nINT in the nINT modes of operation. In the REFCLKO modes of operation, pin 11 will be unconnected. Refer to [Section 2.2.3, "Clocking and nINT/REFCLKO Pin Configuration \(nINTSEL\)," on page 6](#) and the LAN8720A schematic for additional information.

Note 2.7 When configured for nINT off-board 50MHz clock mode via TXCLK, pin 12 is connected to the XTAL1/CLKIN pin of the LAN8720A. Pin 12 is unconnected in all other modes of operation. Refer to [Section 2.2.3, "Clocking and nINT/REFCLKO Pin Configuration \(nINTSEL\)," on page 6](#) and the LAN8720A schematic for additional information.

Table 2.8 P1 - 40-Pin Female MII Connector Pinout

PIN	DESCRIPTION	PIN	DESCRIPTION	PIN	DESCRIPTION	PIN	DESCRIPTION
1	+5V	11	No Connect	21	+5V	31	GND
2	MDIO	12	TXCLK (Note 2.9)	22	GND	32	GND
3	MDC	13	TXEN	23	GND	33	GND
4	No Connect	14	TXD0	24	GND	34	GND
5	No Connect	15	TXD1	25	GND	35	GND
6	RXD1	16	No Connect	26	GND	36	GND
7	RXD0	17	No Connect	27	GND	37	GND
8	RXDV	18	No Connect	28	GND	38	GND
9	RXCLK (Note 2.8)	19	CRS	29	GND	39	GND
10	RXER	20	+5V	30	GND	40	+5V

Note 2.8 The functionality of pin 9 depends on the configured mode of operation. Pin 9 will be driven by REFCLKO in the REFCLKO modes of operation. In the nINT on-board 50MHz oscillator mode, pin 9 will be driven by the EVB8720's on-board 50MHz oscillator. In the nINT off-board 50MHz clock mode, pin 9 is either unconnected (50MHz clock provided by the partner device via the TXCLK pin) or used to provide the 50MHz clock to the CLKIN pin of the LAN8720A. Refer to [Section 2.2.3, "Clocking and nINT/REFCLKO Pin Configuration \(nINTSEL\)," on page 6](#) and the LAN8720A schematic for additional information.

Note 2.9 When configured for nINT off-board 50MHz clock mode via TXCLK, pin 12 is connected to the XTAL1/CLKIN pin of the LAN8720A. Pin 12 is unconnected in all other modes of operation. Refer to [Section 2.2.3, "Clocking and nINT/REFCLKO Pin Configuration \(nINTSEL\)," on page 6](#) and the LAN8720A schematic for additional information.

2.2.8 Switches

Table 2.9 Switches

SWITCH	DESCRIPTION	FUNCTION
S1	Reset switch	When pressed, triggers a board reset.

2.3 Mechanicals

Figure 2.3 details the EVB8720 mechanical dimensions.

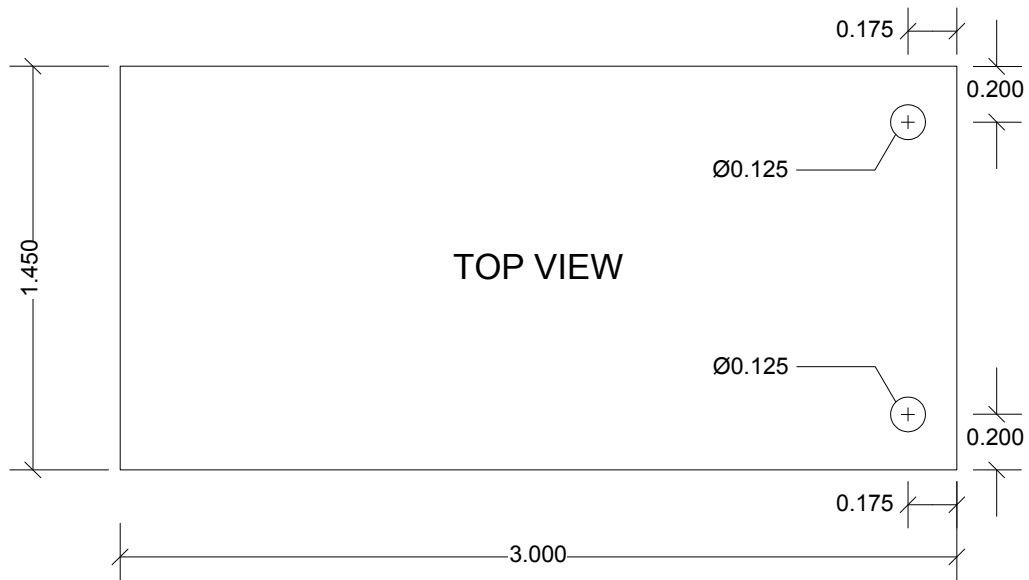


Figure 2.3 EVB8720 Mechanicals

3 User Manual Revision History

Table 3.1 Customer Revision History

REVISION LEVEL & DATE	SECTION/FIGURE/ENTRY	CORRECTION
Rev. 1.1 (05-24-10)	All	Entire document revised for new EVB version; consistency with latest EVB User Manual layout.
Rev. 1.0 (04-06-09)	Initial Release	