

IP 55 and IP 65 wall-mounting consumer units IP 65 Polycarbonate Fly Series

24 modules

36 modules

With horizontally hinged transparent door

RAL 7035 grey



| Article | Dimensions (mm) WxHxD | Box/pack No. items |
|---------------|--------------------------|-----------------------|
| 12 746 | 275x370x140 | 1/4 |



| Article | Dimensions (mm) WxHxD | Box/pack No. items |
|---------------|--------------------------|-----------------------|
| 12 747 | 275x570x140 | 1/2 |

IP 55 and IP 65 wall-mounting consumer units

Accessories for IP 65 Polycarbonate Fly Series consumer units

Terminal holders



FLC09827

| Article | Description | For consumer units type | Box/pack No. items |
|---------------|------------------------|-------------------------|--------------------|
| 12 539 | for 8 modules | 12 743 | 12/360 |
| 12 540 | for 12 modules per row | 12 745-12 746-12 747 | 12/144 |

The terminal board is completed by combining the necessary terminal bars to the terminal holders, taking care to keep the terminal bars separated from each other.

Recommended configuration

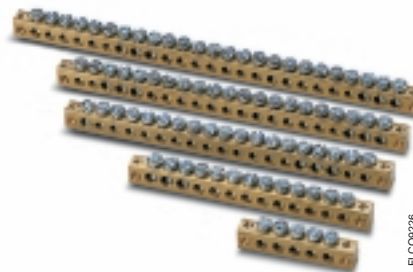
| No. modules | Consumer unit | Terminal holders Articles x quantity | Terminal bars Articles x quantity |
|-------------|---------------|--------------------------------------|-----------------------------------|
| 8 | 12 743 | 12 539 x 2 | 12 531 x 2 |
| 12 | 12 745 | 12 540 x 1 | 12 531 x 1 12 532 x 1 |
| 24 | 12 746 | 12 540 x 2 | 12 533 x 2 |
| 36 | 12 747 | 12 540 x 2 | 12 534 x 2 |

Terminal holders and terminal bars are supplied separately. In this way, by inserting one or two terminal bars into the terminal holder you can create the best terminal for your requirements, with the advantage of obtaining a terminal block that is cheap as well as personalised, due to the fact that you only need to use material that is really necessary.

Some standard configurations are illustrated in the table.

All the possible configurations that can be created for each type of consumer unit are given in the technical details.

Terminal bars

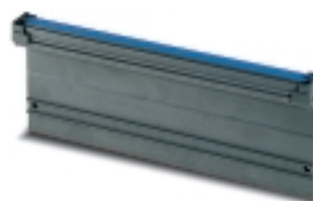


FLC09828

| Article | Description No. of holes x Ø holes (mm) + No. holes x Ø holes (mm) | Box/pack No. items |
|---------------|--|--------------------|
| 12 531 | 5x4.5 | 1/20 |
| 12 532 | 10x4.5 + 3x5.6 | 1/20 |
| 12 533 | 16x4.5 + 3x5.6 | 1/20 |
| 12 534 | 15x4.5 + 6x5.6 | 1/20 |
| 12 535 | 19x4.5 + 6x5.6 | 1/20 |

The terminal bars can be installed on any kind of terminal holder; they are snapped onto these with 2 clips per bar, through two holes made at the ends of the bar itself.

Unifix L cabling system



FLC09857

| Article | Type | Description | Box/pack No. items |
|-----------------|---------|-------------------|--------------------|
| ED 298 5 | XULT208 | bar 2P 8 modules | 6/24 |
| ED 299 3 | XULT212 | bar 2P 12 modules | 6/24 |
| ED 294 4 | XULT412 | bar 4P 12 modules | 6/24 |

Spare doors



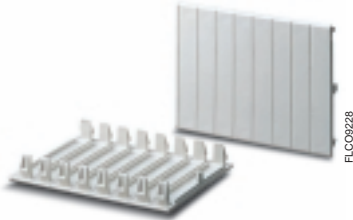
FLC09841

| Article | Description | For consumer units type | Box/pack No. items |
|---------------|---|-------------------------|--------------------|
| 12 567 | Opaque RAL 7035 grey for 2 mod. | 12 722 | 10/60 |
| 12 577 | Transparent for 2 mod. | 12 742 | 10/60 |
| 12 565 | Transparent for 8 mod. | 12 743 | 10/20 |
| 12 566 | Transparent for 12, 24, 36 (12x3 rows) mod. | 12 745-12 746 12 747 | 8/16 |

IP 55 and IP 65 wall-mounting consumer units

Accessories for IP 65 Polycarbonate Fly Series consumer units

Module covers



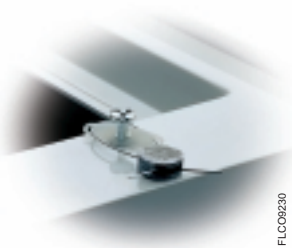
| Article | Colour | No. modules | Box/pack No. items |
|---------------|---------------|-------------|-----------------------|
| 12 861 | RAL 7035 grey | 1 | 50/1500 |
| 12 863 | RAL 7035 grey | 4 | 50/600 |

Plastic wall brackets



| Article | Description | Box/pack No. items |
|---------------|------------------------|-----------------------|
| 12 858 | in insulating material | 1/20 |

Screw lead sealing accessory



| Article | Box/pack No. items |
|---------------|-----------------------|
| 12 860 | 1/50 |

Semi-flush-mounting frames



| Article | For consumer units type | Box/pack No. items |
|---------------|----------------------------|-----------------------|
| 12 591 | 12 743 | 5/20 |
| 12 592 | 12 745 | 5/20 |
| 12 593 | 12 746 | 5/20 |
| 12 594 | 12 747 | 5/5 |

Spare flanges



| Article | For consumer units with | Box/pack N. pezz |
|---------------|--------------------------------|---------------------|
| 12 600 | 8 modules | 30/120 |
| 12 601 | 12, 24, 36 (12x3 rows) modules | 20/80 |

Lock with key



| Article | Description | Box/pack No. items |
|---------------|-------------|-----------------------|
| 12 866 | coded type | 1/10 |

Further technical information and applications

Consumer units for modular circuit breakers – summarised technical data

Polycarbonate wall-mounting consumer units IP 65 Fly Series

| ARTICLE | 12 722 – 12 742 | 12 743 | 12 745 | 12 746 | 12 747 |
|--|------------------|------------------------------------|------------------------------------|------------------------------------|------------------------------------|
| NUMBER OF MODULES | 2/4 | 8 | 12 | 24 | 36 |
| COLOUR | RAL 7035 grey | RAL 7035 grey | RAL 7035 grey | RAL 7035 grey | RAL 7035 grey |
| WITHOUT DOOR | - | - | - | - | - |
| WITH TRANSPARENT DOOR | YES | YES | YES | YES | YES |
| WITH OPAQUE DOOR | YES | - | - | - | - |
| DOUBLE INSULATION | YES | YES | YES | YES | YES |
| RESISTANCE TO HEAT | grey GWT 960°C | grey GWT 960°C | grey GWT 960°C | grey GWT 960°C | grey GWT 960°C |
| TYPE OF MATERIAL | Polycarbonate | Polycarbonate | Polycarbonate | Polycarbonate | Polycarbonate |
| MECHANICAL RESISTANCE | 20 JOULE (IK 10) | 20 JOULE (IK 10) | 20 JOULE (IK 10) | 20 JOULE (IK 10) | 20 JOULE (IK 10) |
| DIMENSIONAL STABILITY | -25° + +115°C | -25° + +115°C | -25° + +115°C | -25° + +115°C | -25° + +115°C |
| DEGREE OF PROTECTION | IP 65 | IP 65 | IP 65 | IP 65 | IP 65 |
| MAX DISSIPATION POWER ⁽¹⁾ | 11 W | 15 W | 19 W | 31 W | 45 W |
| FLANGE FOR DIRECT BRANCH CONNECTIONS | - | CONDUITS AND TRUNKINGS ø5+35 mm | CONDUITS AND TRUNKINGS ø5+35 mm | CONDUITS AND TRUNKINGS ø5+35 mm | CONDUITS AND TRUNKINGS ø5+35 mm |
| EXTRACTABLE FRAME | - | YES | YES | YES | YES |
| DESIGNED FOR MOULDED-CASE CIRCUIT BREAKERS | - | YES | YES | YES | YES |
| DESIGNED FOR RAPID CABLING | - | UNIFIX L | UNIFIX L | UNIFIX L | UNIFIX L |

(1): data concerning dissipation power have been obtained by following the instructions of CEI 23-49 Standard, with a temperature difference of Dt= 30°C

Polycarbonate wall-mounted consumer units IP 40 Europa Series

| ARTICLE | 12 724 – 12 744 | 12 728 – 12 748 | 12 732 – 12 752 | 12 733 – 12 753 | 12 734 – 12 754 | 12 735 – 12 755 12 736 – 12 756 | 12 738 – 12 758 |
|--|-------------------|------------------------------|------------------------------|------------------------------|------------------------------|------------------------------------|------------------------------|
| NUMBER OF MODULES | 4 | 8 | 12 | 18 | 24 | 36 | 54 |
| COLOUR | RAL 7035 grey | RAL 7035 grey | RAL 7035 grey | RAL 7035 grey | RAL 7035 grey | RAL 7035 grey | RAL 7035 grey |
| WITHOUT DOOR | - | - | - | - | - | - | - |
| WITH TRANSPARENT DOOR | YES | YES | YES | YES | YES | YES | YES |
| WITH OPAQUE DOOR | YES | YES | YES | YES | YES | YES | YES |
| DOUBLE INSULATION | YES | YES | YES | YES | YES | YES | YES |
| RESISTANCE TO HEAT | grey GWT 960°C | grey GWT 960°C | grey GWT 960°C | grey GWT 960°C | grey GWT 960°C | grey GWT 960°C | grey GWT 960°C |
| TYPE OF MATERIAL | Polycarbonate | Polycarbonate | Polycarbonate | Polycarbonate | Polycarbonate | Polycarbonate | Polycarbonate |
| MECHANICAL RESISTANCE | 20 JOULE (IK 10) | 20 JOULE (IK 10) | 20 JOULE (IK 10) | 20 JOULE (IK 10) | 20 JOULE (IK 10) | 20 JOULE (IK 10) | 20 JOULE (IK 10) |
| DIMENSIONAL STABILITY | -25° + +115°C | -25° + +115°C | -25° + +115°C | -25° + +115°C | -25° + +115°C | -25° + +115°C | -25° + +115°C |
| DEGREE OF PROTECTION | IP 65 | IP 65 | IP 65 | IP 65 | IP 65 | IP 65 | IP 65 |
| MAX DISSIPATION POWER ⁽¹⁾ | 15 W | 20 W | 30 W | 32 W | 34 W | 45 W | 56 W |
| FLANGE FOR DIRECT BRANCH CONNECTIONS | - | COND. AND TRUNK. ø5+35 mm | COND. AND TRUNK. ø5+35 mm | COND. AND TRUNK. ø5+35 mm | COND. AND TRUNK. ø5+35 mm | COND. AND TRUNK. ø5+35 mm | COND. AND TRUNK. ø5+35 mm |
| EXTRACTABLE FRAME | YES | YES | YES | YES | YES | YES | YES |
| DESIGNED FOR MOULDED-CASE CIRCUIT BREAKERS | YES | YES | YES | YES | YES | YES | YES |
| DESIGNED FOR RAPID CABLING | - | UNIFIX L | UNIFIX L | UNIFIX L | UNIFIX L | UNIFIX L | UNIFIX L |

(1): data concerning dissipation power have been obtained by following the instructions of CEI 23-49 Standard, with a temperature difference of Dt= 30°C

Reaction to chemical agents*

| Chemical Agent | Reaction |
|-----------------------|---------------------|
| Cold water | resistant |
| Hot water | partially resistant |
| Sulphuric acid 40% | resistant |
| Hydrochloric acid 35% | resistant |
| Acetic acid 10% | resistant |
| Benzole | not resistant |
| Oil | resistant |
| Acetone | resistant |
| Ethyl-alcohol | resistant |
| Ammonia, liquid | resistant |
| Dichloromethane | resistant |
| Diesel oil | resistant |
| Mineral oils and fats | resistant |
| Food oils and fats | resistant |
| Perchlorate ethylene | resistant |
| Trichloroethylene | resistant |
| Ethylether | resistant |
| Ozone | resistant |
| Toluene | resistant |
| Methanol | resistant |
| Spirits | resistant |
| Milk | resistant |
| Fruit juice | resistant |
| Fluorine hydrocarbons | resistant |
| Lye-washes | partially resistant |
| Cleansings | partially resistant |
| Water solution | resistant |

IP 65 Polycarbonate Fly and Europa Series wall-mounting consumer units

■ resistant ▲ partially resistant ● not resistant

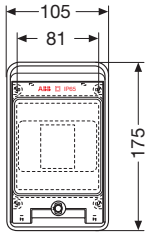
VILCO0658

* Indications concerning the resistance of the products to chemical agents must be considered as an indication only and refer to standard conditions (40°C, integral product).

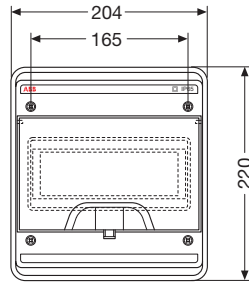
Overall dimensions

IP 65 Polycarbonate Fly Series wall-mounting consumer units

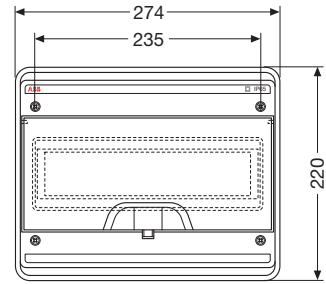
Front view



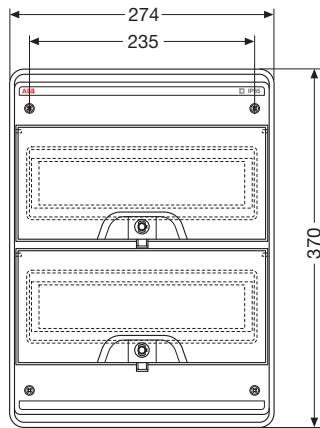
2-4 modules



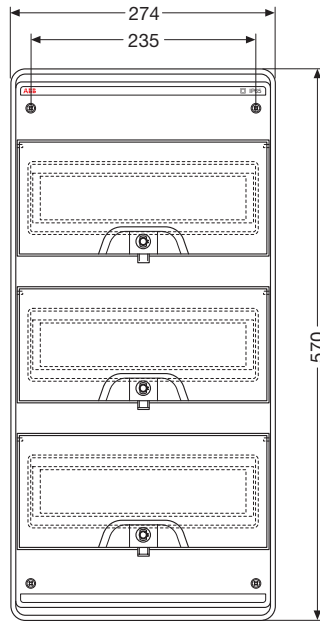
8 modules



12 modules

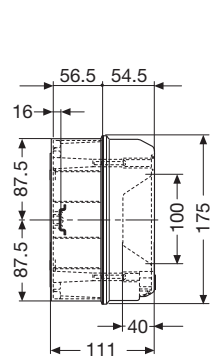


24 modules

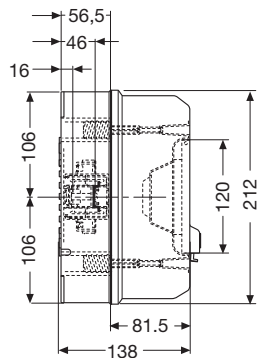


36 modules

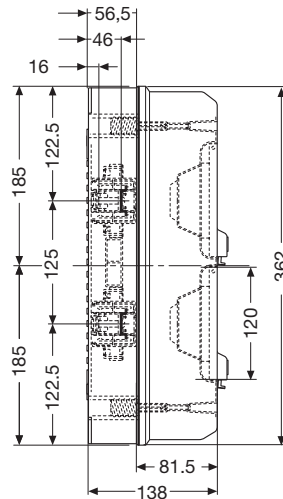
Side view



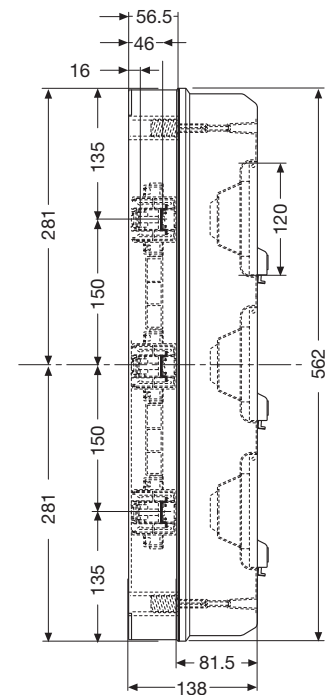
2-4 modules



8-12 modules



24 modules



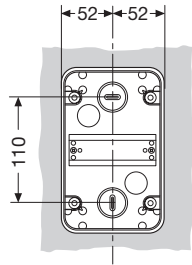
36 modules

VLC00015

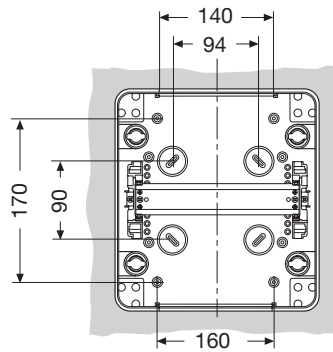
Overall dimensions

IP 65 Polycarbonate Fly Series wall-mounting consumer units

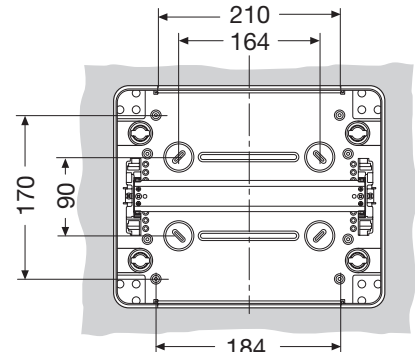
Drilling sheets



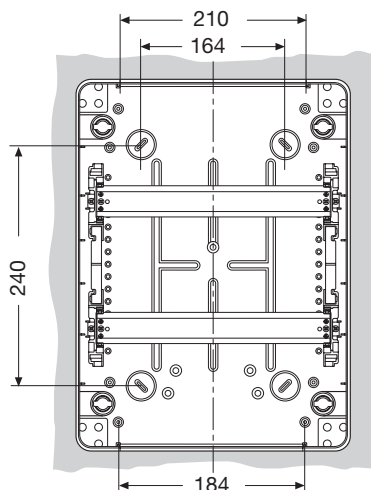
2-4 modules



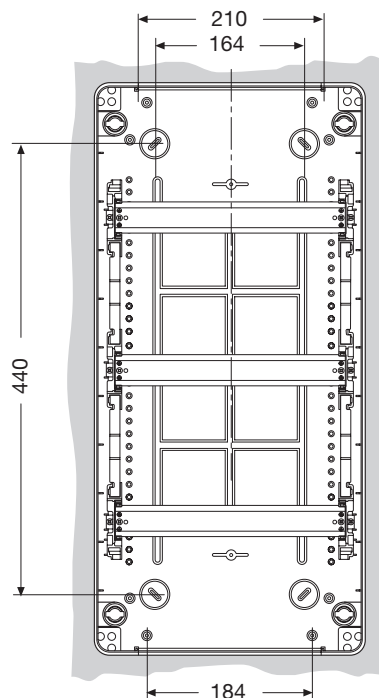
8 modules



12 modules



24 modules



36 modules

| modules | article |
|-------------|-----------------|
| 2-4 modules | 12 742 - 12 722 |
| 8 modules | 12 743 |
| 12 modules | 12 745 |
| 24 modules | 12 746 |
| 36 modules | 12 747 |