

Linear actuator

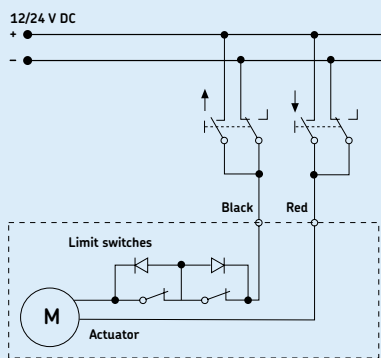
CAHB-10 series

Benefits

- ACME screw drive
- Extension tube (aluminium)
- Protection tube (aluminium)
- Zinc alloy gear housing
- Powder metal gears
- Self-locking

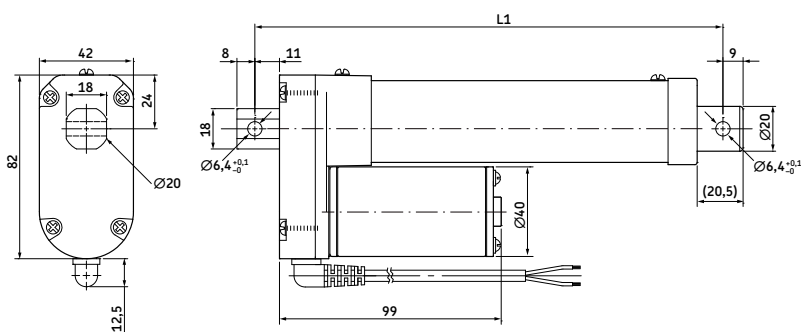


Connecting diagram



Dimensional drawing

Basic configuration



Legend:
L1 = retracted length

Stroke (mm)*	50	100	150	200	250	300
Retracted length (L1)	158	209	260	311	362	413

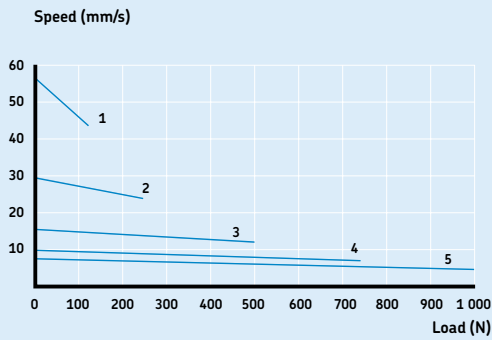
* Tolerance: S and L1: ± 2,0 mm

Technical data

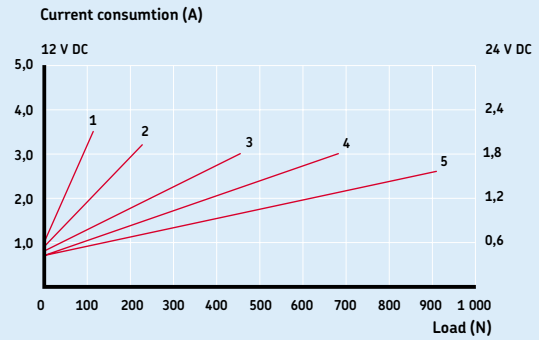
	Unit	CAHB-10... 1	CAHB-10... 2	CAHB-10... 3	CAHB-10... 4	CAHB-10... 5
Push load	N	120	240	500	750	1 000
Pull load	N	120	240	500	750	1 000
Speed (full load to no load)	mm/s	45 to 56	24 to 30	13 to 16	8 to 10	6 to 8
Stroke	mm	50 to 300	50 to 300	50 to 300	50 to 300	50 to 300
Retracted length	mm	_*	_*	_*	_*	_*
Voltage	V DC	12 or 24	12 or 24	12 or 24	12 or 24	12 or 24
Power consumption	W	N/A	N/A	N/A	N/A	N/A
Current consumption	A	3,5	3,2	3,0	2,8	2,6
	24 V DC	2,2	2,0	1,8	1,8	1,6
Duty cycle	%	25	25	25	25	25
Ambient temperature	°C	-40 to +85	-40 to +85	-40 to +85	-40 to +85	-40 to +85
Type of protection	IP	66	66	66	66	66
Weight (at 300 mm stroke)	kg	1,5	1,5	1,5	1,5	1,5
Color	-	Silver	Silver	Silver	Silver	Silver

* see above table

Performance diagrams



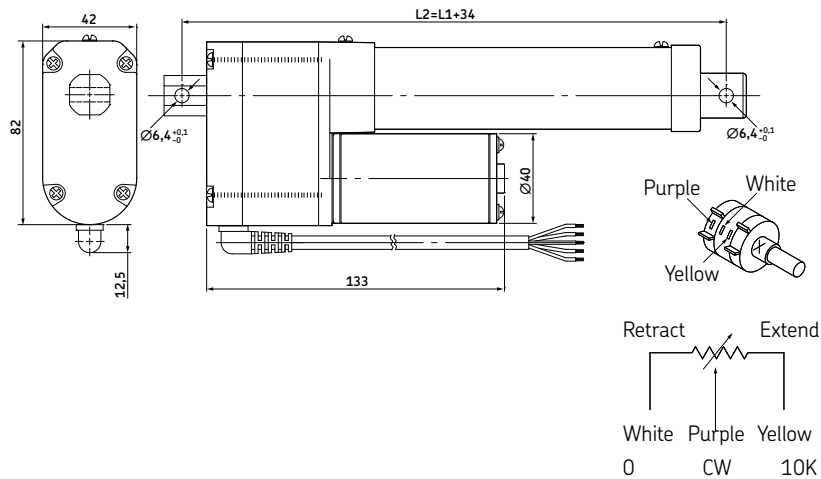
Speed-load diagram



Current-load diagram

Dimensional drawing

Optional potentiometer



Legend:
L1 and L2 = retracted length

Stroke (mm)*	50	100	150	200	250	300
Retracted length (L2)	192	243	294	345	396	447

* Tolerance: S and L2: ± 2.0 mm

Potentiometer resolution

Stroke (mm)	50	100	150	200	250	300
Ohm/mm	94,4	94,4	47,2	47,2	15,72	15,72

Ordering key

CAHB-10-□□A-□□□□-A□□□□0-000

Type

Voltage:

12 V DC
24 V DC

A
B

Load:

120 N
240 N
500 N
750 N
1 000 N

1
2
3
4
5

Screw:

ACME screw

A

Stroke:

50 mm
100 mm
150 mm
200 mm
250 mm
300 mm

050
100
150
200
250
300

Retracted length:

Stroke

50 mm
100 mm
150 mm
200 mm
250 mm
300 mm

w/o POT*

158 mm
209 mm
260 mm
311 mm
362 mm
413 mm

with POT*

192 mm
243 mm
294 mm
345 mm
396 mm
447 mm

IP:

Standard (IP 66)

A

Front attachment:

Standard (hole: Ø= 6,4 mm)
Customized

A
X

Rear attachment:

Standard (hole: Ø= 6,4 mm)
Customized

A
X

Option 1:

None
Potentiometer

0
P

Option 2:

None
Thermal protection

0
T

* POT= Potentiometer

