



DC MOTOR

14 watt

3-38/14 _ _

TRIDENT ENGINEERING LIMITED
 Trident House, King Street Lane,
 Winnersh, Wokingham,
 Berkshire, RG41 5AS

Telephone: 0118 978 6444
 Fax: 0118 977 6345
 Email: sales@tridenteng.co.uk
 www.tridenteng.co.uk

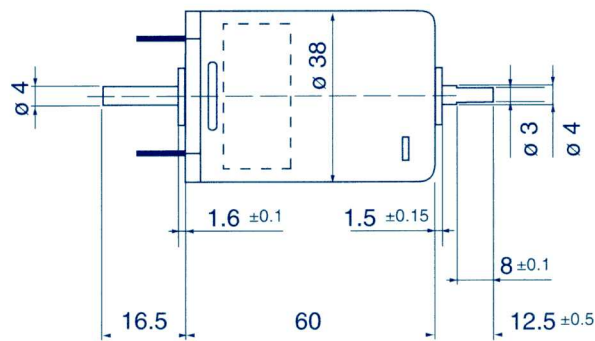
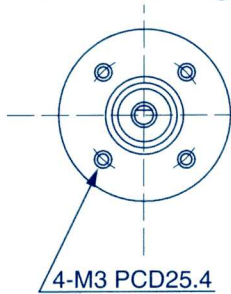
Stock Voltages		12	24
1. Voltage	V	12	24
2. Power Output	W	13.9	13.2
3. Rated Torque	mN-m	24.5	24.5
	g-cm	250	250
4. Rated Speed	r/min	5,400	5,150
5. Rated Current	mA	1,660	850
6. No load Speed	r/min	6,600	6,300
7. No. load Current	mA	205	110
8. Starting Torque	mN-m	137	134
	g-cm	1,400	1,370
9. Torque Constant	mN-m/A	16.9	33.1
	g-cm/A	172	338
10. Voltage Constant	V/1000r/min	1.8	3.5
11. Winding Resistance	Ω	1.7	5.9
12. Winding inductance	m H	0.9	3.7
13. Moment of Inertia	g-cm ²	39	39
14. Mechanical Constant	mS	23	21
15. Thermal Resistance	$^{\circ}\text{C/W}$	17	17

Product combinations

Gearheads GP32, GS40, GPP32, GS38

Encoders HEDS

Front Mounting Face



Notes

