



MOTOR STARTER SIRIUS 3RM1 REVERSING STARTER
 500 V;
 0,4-2,0 A;
 24 V DC SCREW-TYPE CONNECTION SYSTEM

| General technical data: | | |
|--|----|---|
| product designation | | Motor starter |
| Design of the product | | with reversing functionality and electronic overload protection |
| Protection class IP | | IP20 |
| Suitability for use / device connector 3ZY12 | | Yes |
| Installation altitude / at a height over sea level / maximum | m | 4,000 |
| Ambient temperature | | |
| • during operating | °C | -25 ... +60 |
| • during transport | °C | -40 ... +70 |
| • during storage | °C | -40 ... +70 |
| Resistance against shock | | 6g / 11 ms |
| Resistance against vibration | | 1 ... 6 Hz, 15 mm; 20 m/s ² , 500 Hz |
| Impulse voltage resistance / rated value | kV | 6 |
| Conductor-bound parasitic coupling conductor-conductor SURGE / according to IEC 61000-4-5 | | 1 kV |
| Conductor-bound parasitic coupling BURST / according to IEC 61000-4-4 | | 2 kV / 5 kHz |
| Conducted interference as high-frequency radiation according to IEC 61000-4-6 | | 10 V |
| Electrostatic discharge / according to IEC 61000-4-2 | | 4 kV contact discharge / 8 kV air discharge |

| | | |
|--|---|--|
| Field-bound HF-interference emission / according to CISPR11 | | Class B for the domestic, business and commercial environments |
| Conductor-bound HF-interference emission / according to CISPR11 | | Class B for the domestic, business and commercial environments |
| Insulation voltage / rated value | V | 600 |

Safety:

Safety device type / according to IEC 61508-2

Type B

Main circuit:

| | | |
|---|----|---------------|
| Operating voltage / rated value / maximum | V | 500 |
| Operating frequency | | |
| • 1 | Hz | 50 |
| • 2 | Hz | 60 |
| Operating current / at 400 V / for AC / rated value | A | 2 |
| Minimum load in % of I_M | % | 20 |
| Active power loss / typical | W | 0.3 |
| Adjustable response current | | |
| • of the current-dependent overload release | A | 0.4 ... 2 |
| Service power / for three-phase servomotors / at 400 V | | |
| • at 50 Hz | kW | 0.09 ... 0.75 |

Control circuit:

| | | |
|--|---|--------------|
| Type of voltage / of the controlled supply voltage | | DC |
| Control supply voltage / 1 | | |
| • for DC / rated value | V | 24 |
| Operating range factor control supply voltage rated value | | |
| • for DC | | 0.8 ... 1.25 |
| Control current | A | 0.08 |
| Input voltage / at the digital input / with signal <1> | | |
| • for DC | V | 19.2 ... 30 |
| Input current / at the digital input / for signal <1> / typical | A | 0.01 |

Installation/mounting/dimensions:

| | | |
|--------------------------|----|----------------------|
| mounting position | | vertical, horizontal |
| Width | mm | 22.5 |
| Height | mm | 100 |
| Depth | mm | 141.6 |

Connections:

Design of the electrical connection

- for main current circuit

screw-type terminals

| | | |
|--|--|--|
| <ul style="list-style-type: none"> • for auxiliary and control current circuit | | screw-type terminals |
| Type of the connectable conductor cross-section <ul style="list-style-type: none"> • for main contacts <ul style="list-style-type: none"> • solid • finely stranded <ul style="list-style-type: none"> • with conductor end processing • for AWG conductors | | 1x (0.2 ... 4 mm ²), 2x (0.2 ... 2.5 mm ²) 1x (0.5 ... 2.5 mm ²), 2x (0.5 ... 2.5 mm ²) 1x (20 ... 12), 2x (20 ... 14) |
| Type of the connectable conductor cross-section <ul style="list-style-type: none"> • for auxiliary contacts <ul style="list-style-type: none"> • finely stranded <ul style="list-style-type: none"> • with conductor end processing • for AWG conductors | | 1x (0.5 ... 2.5 mm ²), 2x (0.5 ... 1 mm ²) 1x (20 ... 14), 2x (20 ... 16) |

Certificates/approvals:

General Product Approval



Test Certificates

[Type Test Certificates/Test Report](#)

Further information:

Information- and Downloadcenter (Catalogs, Brochures,...)

<http://www.siemens.com/industrial-controls/catalogs>

Industry Mall (Online ordering system)

<http://www.siemens.com/industrial-controls/mall>

Cax online generator

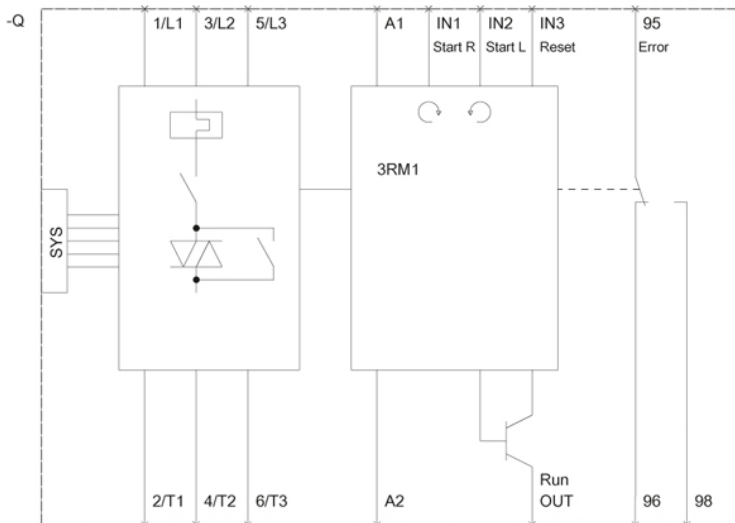
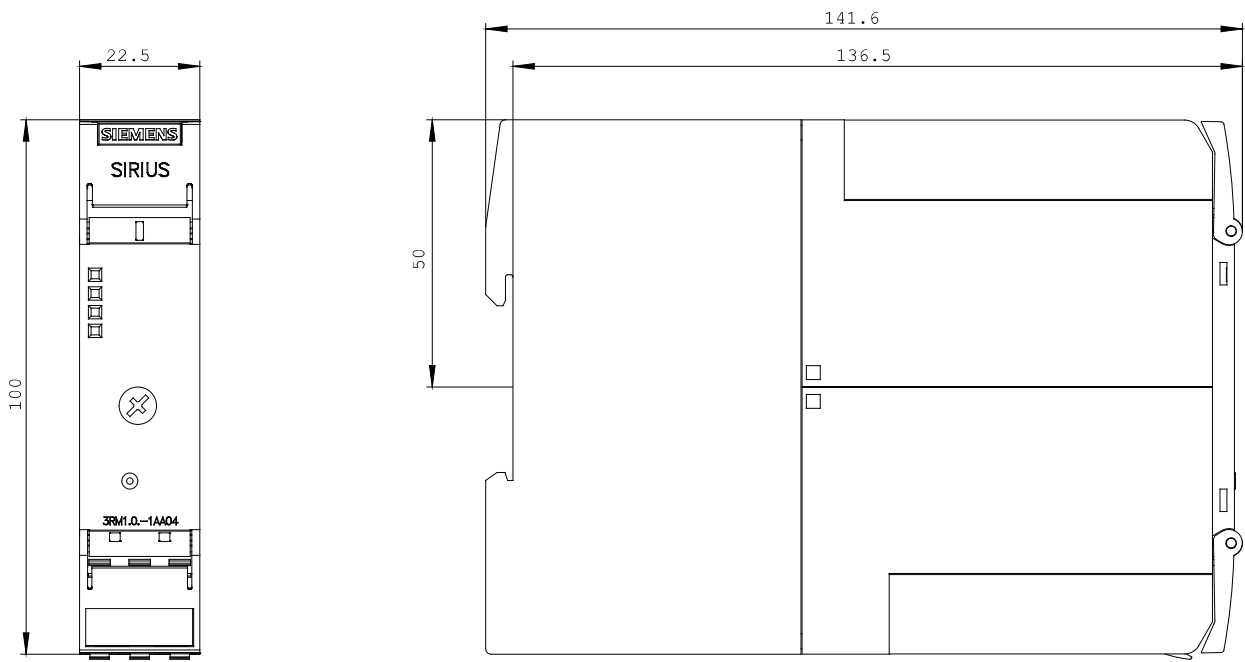
<http://www.siemens.com/cax>

Service&Support (Manuals, Certificates, Characteristics, FAQs,...)

<http://support.automation.siemens.com/WW/view/en/3RM1202-1AA04/all>

Image database (product images, 2D dimension drawings, 3D models, device circuit diagrams, ...)

http://www.automation.siemens.com/bilddb/cax_en.aspx?mlfb=3RM1202-1AA04



last change:

Feb 4, 2013