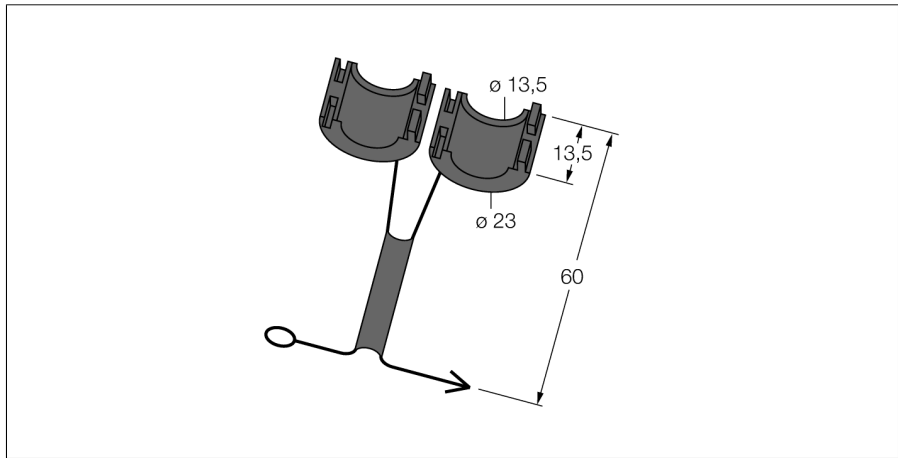
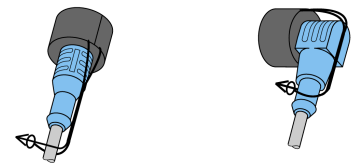


Mounting accessories
captive safety clip
SC-M12/3GD



- Captive safety clip for sensors with M12 x 1 connectors and approval according to ATEX II 3 G or II 3 D
- For zone 2 (gas) or zone 22 (dust)
- For coupling nuts with a width of up to 11 mm
- Safety label with imprint "nicht unter Spannung trennen / do not separate when energized"
- Securely attached to cable



Type code	SC-M12/3GD
Ident no.	6900390
Ambient temperature	-20...+70 °C
Dimensions	13.5 mm
Housing material	plastic, PA

General information

When operating non-intrinsically safe equipment in zone 2 (gas) or zone 22 (dust) it is required to protect the sensor against manual disconnection (without any tools). This can be ensured by using the captive safety clip.

Devices which are operated in explosion protected areas, may only be installed, connected and operated by trained and qualified staff. The operator must have knowledge of protection classes, directives and regulations concerning equipment designed for use in explosion hazardous areas.

Mounting:

The two housing parts are put around the coupling nut and plugged together. Please note that both parts must latch. The captive safety clip is then mounted firmly to the cable.