

# Enclosed motor starters

Direct-on-line starters  
Without thermal overload relay (1)

## Reference

Dimensions and schemes :  
pages 4/128 to 4/129

**Direct-on-line starters** Composite steel/plastic enclosure. Ingress protection : IP 65

Maximum current rating category	Maximum kW rating Utilisation category		Control supply	Ordering reference	Weight
AC	AC3				
A	220/230 V	380/415 V	V		kg
	kW	kW			

### Direct-on-line starters without disconnect switch

12	3	5.5	240 50/60 Hz	<a href="#">LE1-GBKO55U7</a>	1.340
			415 50/60 Hz	<a href="#">LE1-GBKO55N7</a>	1.340
25	5.5	11	240 50/60 Hz	<a href="#">LE1-GBDO11U7</a>	1.340
			415 50/60 Hz	<a href="#">LE1-GBDO11N7</a>	1.340



LE1-GBKO55U7

4



LE1-GBKS55U7

### Direct-on-line starters with disconnect switch

12	3	5.5	240 50/60 Hz	<a href="#">LE1-GBKS55U7</a>	2.620
			415 50/60 Hz	<a href="#">LE1-GBKS55N7</a>	2.620
25	5.5	11	240 50/60 Hz	<a href="#">LE1-GBDS11U7</a>	2.620
			415 50/60 Hz	<a href="#">LE1-GBDS11N7</a>	2.620

(1) Select thermal overload relay separately. See pages 2/40 and 2/128.

# Enclosed motor starters

Direct-on-line reversing starters  
Without thermal overload relay (1)

## Reference

Dimensions and schemes :  
pages 4/128 to 4/129



LE2-GBKO55U7



LE2-GBKS55U7

**Direct-on-line reversing starters** Composite steel/plastic enclosure. Ingress protection : IP 65

Maximum current rating category	Maximum kW rating Utilisation category	Control supply	Ordering reference	Weight
AC	220/230 V 380/415 V			
<b>A</b>	<b>kW kW</b>	<b>V</b>		<b>kg</b>

### Direct-on-line reversing starters without disconnect switch

12	3	5.5	240 50/60 Hz	<a href="#">LE2-GBKO55U7</a>	2.620
			415 50/60 Hz	<a href="#">LE2-GBKO55N7</a>	2.620
25	5.5	11	240 50/60 Hz	<a href="#">LE2-GBDO11U7</a>	2.620
			415 50/60 Hz	<a href="#">LE2-GBDO11N7</a>	2.620

### Direct-on-line reversing starters with disconnect switch

12	3	5.5	240 50/60 Hz	<a href="#">LE2-GBKS55U7</a>	3.820
			415 50/60 Hz	<a href="#">LE2-GBKS55N7</a>	3.820
25	5.5	11	240 50/60 Hz	<a href="#">LE2-GBDS11U7</a>	3.820
			415 50/60 Hz	<a href="#">LE2-GBDS11N7</a>	3.820

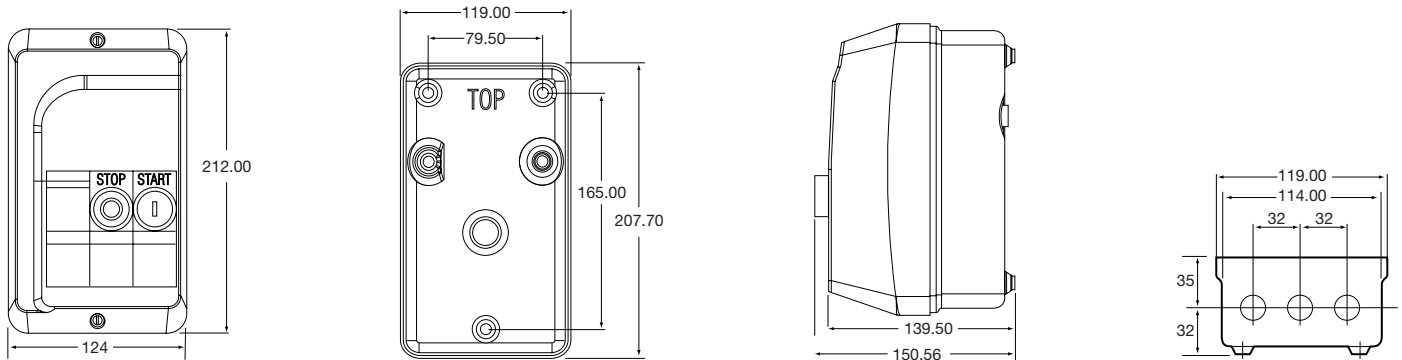
(1) Select thermal overload relay separately. See pages 2/40 and 2/128.

# Enclosed motor starters

## Dimensions

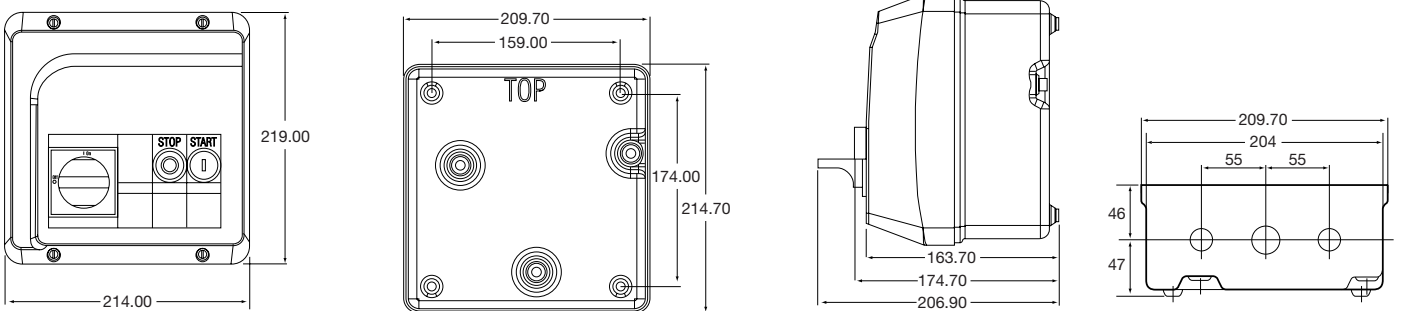
References :  
pages 4/124 to 4/127

**Direct-on-line starters without disconnect switch**  
**LE1-GB●●●●7**



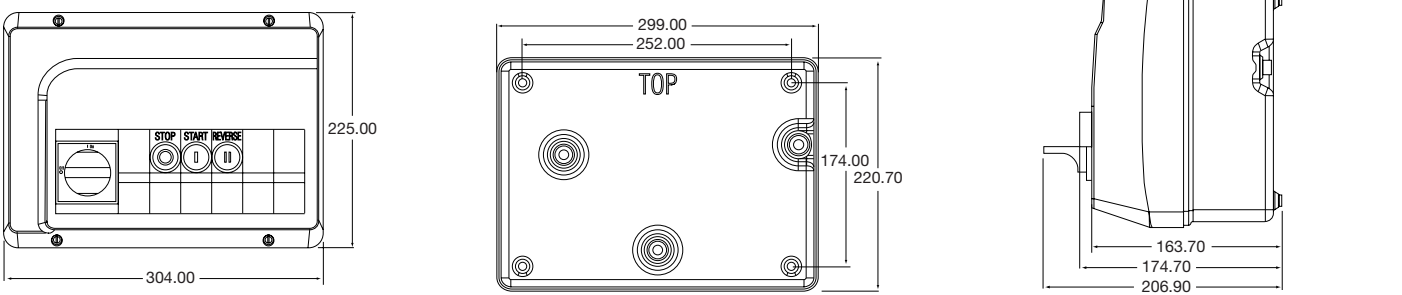
3 x 20 mm ISO conduit entries top and bottom.

**Direct-on-line starters with disconnect switch**  
**LE1-GB●S●●●7**  
**Reversing D.O.L. starters disconnect switch**  
**LE2-GB●●●●7**



2 x 20 mm and 1 x 25 mm ISO conduit entries top and bottom.

**Reversing D.O.L. starters with disconnect switch**  
**LE2-GBS●●●7**  
**Star-delta starters with/without disconnect switch**  
**LE3-GBDO●●●7**



2 x 25 mm and 1 x 20 mm ISO conduit entries top and bottom.

4

4.5