



Main

Range compatibility	Lexium 28
Product or component type	Servo motor
Device short name	BCH2

Complementary

Maximum mechanical speed	3000 rpm
[Us] rated supply voltage	220 V
Network number of phases	Three phase
Continuous stall current	16.55 A
Continuous stall torque	16.7 N.m for LXM28A at 22.9 A, 220 V, three phase 16.7 N.m for LXM26D at 22.9 A, 220 V, three phase
Continuous power	3500 W
Peak stall torque	50.3 N.m for LXM28A at 22.9 A, 220 V, three phase 50.3 N.m for LXM26D at 22.9 A, 220 V, three phase
Nominal output power	3500 W for LXM28A at 22.9 A, 220 V, three phase 3500 W for LXM26D at 22.9 A, 220 V, three phase
Nominal torque	16.7 N.m for LXM28A at 22.9 A, 220 V, three phase 16.7 N.m for LXM26D at 22.9 A, 220 V, three phase
Nominal speed	2000 rpm for LXM28A at 22.9 A, 220 V, three phase 2000 rpm for LXM26D at 22.9 A, 220 V, three phase
Maximum current Irms	57.8 A for LXM28A at 3.5 kW, 220 V 57.8 A for LXM26D at 3.5 kW, 220 V
Maximum permanent current	19 A
Product compatibility	LXM28A servo drive motor at 3.5 kW, 220 V, three phase LXM26D servo drive motor at 3.5 kW, 220 V, three phase
Shaft end	Keyed
Shaft diameter	35 mm
Shaft length	79 mm
Key width	10 mm
Feedback type	20 bits single turn absolute encoder
Holding brake	With
Holding torque	48 N.m for built-in
Mounting support	Asian standard flange
Motor flange size	180 mm
Electrical connection	MIL connector
Torque constant	1.01 N.m/A at 20 °C
Back emf constant	61 V/krpm at 20 °C
Rotor inertia	54.1 kg.cm ²
Stator resistance	0.157 Ohm at 20 °C
Stator inductance	2.93 mH at 20 °C
Stator electrical time constant	18.66 ms at 20 °C
Maximum radial force Fr	1200 N 2000 rpm

Maximum axial force Fa	497 N
Brake pull-in power	49.6 W
Type of cooling	Natural convection
Length	235 mm
Number of motor stacks	2
Centring collar diameter	114.3 mm
Centring collar depth	4 mm
Number of mounting holes	4
Mounting holes diameter	13.5 mm
Circle diameter of the mounting holes	200 mm
Distance shaft shoulder-flange	4 mm
Product weight	23 kg

Environment

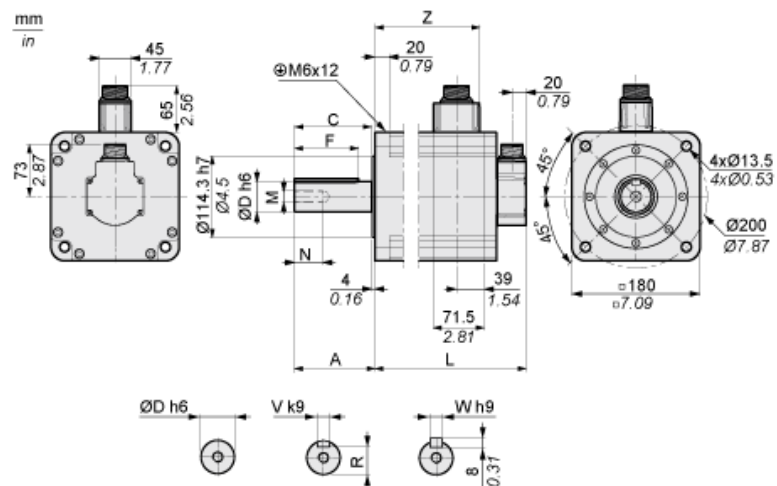
IP degree of protection	IP50 IM V3 IP65 IM B5, IM V1
Ambient air temperature for operation	0...40 °C

Offer Sustainability

Sustainable offer status	Not Green Premium product
RoHS (date code: YYWW)	Compliant since 1442; Schneider Electric declaration of conformity
REACH	Reference not containing SVHC above the threshold

Dimensions

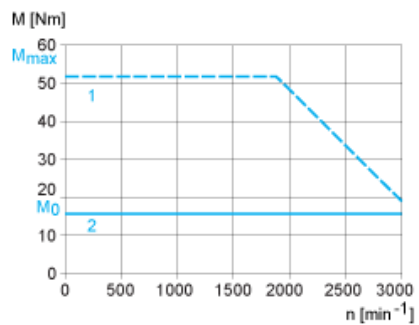
Dimensions of Motor



	mm	in.
L (without holding brake)	202	7.95
L (with holding brake)	235	9.25
A	79	3.11
C	73	2.87
D	35	1.38
F	63	2.48
N	28	1.10
M	M12	
R	30	1.18
V	10	0.39
W	10	0.39
Z	136	5.35

Torque/Speed Curves with 230 V Single/Three Phase Supply Voltage

Servo Motor with LXM28AU45M3X Servo Drive



- 1 : Peak torque
- 2 : Continuous torque