

# Safety Light Grid Orion3 Extended

Approvals:



Application:

- For body detection
- When power is available on only one side.
- When a sturdy profile is necessary.

Features:

- Body detection, 2 to 4 beams
- Active and passive unit
- Up to 8 m operating distance
- Sturdy profile
- Local reset and EDM
- Muting function
- Type 4

The Orion3 Extended light grids are used for body detection, usually for access protection, when muting is necessary. Transmitter and receiver are both in the same active unit. The beams are reflected by the passive unit. Only the active unit needs to be supplied.

## Easy to use

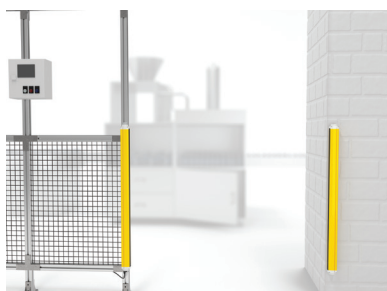
- Muting sensors are connected directly to the light grid, with no need for a remote muting module.
- A local reset button can be connected directly to the light grid: no need for cable between the reset button and the electrical cabinet or for an extra control module.
- Each light grid can monitor the actuators without any extra control module (EDM function).

## Faster installation

- Less cabling: only the active unit has to be connected.
- Alignment help and a wide angle facilitate alignment.
- Rotation brackets simplify alignment too.
- M12 connectors speed up cabling.

## Less downtime

- Since the alignment level is displayed on the unit, the alignment can be improved before an unwanted stop occurs.
- Extensive error indication reduces troubleshooting time.



Only the active unit needs cabling, which saves cable length and installation time.



Muting: the machine stops when a person goes through but not when the cases go through.

## Technical data

<b>Functional Safety Data</b>	
EN ISO 13849-1:2008	PL e, Cat 4
EN 61508-1..4:2010	SIL3; PFH <sub>d</sub> = 8.57 x10 <sup>-9</sup>
EN 62061:2005/A1:2013	SIL CL 3
<b>Electrical data</b>	
Power supply	+24 VDC ± 20 %
Consumption, Active unit	2.5 W max (without load)
Outputs	2 PNP
Short-circuit protection	1.4 A at 55°C
Output current	0.5 A max / output
Output voltage – ON	Power supply value less 1 V (min.)
Output voltage – OFF	0.2 V max
Capacitive load	2.2 µF at +24 VDC max
Current for external lamp	20 mA min., 250 mA max.
Response time	K1C-050: 11 ms, others: 12 ms
<b>Connectors</b>	
M12 - 8 pole male connector	
<b>Optical data</b>	
Light emission	Infrared (860 nm)
Resolution	319,75 - 519,75 mm
Operating distance	0.5...8 m except K2C-090: 0.5...6.5 m
Ambient light rejection	According to IEC-61496-2:2013
<b>Mechanical data</b>	
Operating temperature	0...+ 55 °C
Storage temperature	- 25...+ 70 °C
Humidity range	15...95 % (no condensation)
Protection class	IP 65 (EN 60529:2000)
Housing material	Painted aluminium
Front glass material	PMMA
Cap material	PBT Valox 508
<b>Weight</b>	
Orion3-4-K1C-050-E	1.3 Kg
Orion3-4-K2C-080-E	1.8 Kg
Orion3-4-K2C-090-E	2.1 Kg
Orion3-4-K2C-120-E	2.6 Kg
Orion3-4-M1C-050 (passive)	1.2 Kg
Orion3-4-M2C-080 (passive)	1.7 Kg
Orion3-4-M2C-090 (passive)	1.9 Kg
Orion3-4-M2C-120 (passive)	2.5 Kg
<b>Connection Active unit*</b>	
White (1)**	Reset, Acknowledge, EDM
Brown (2)	+ 24 VDC
Green (3)	Muting sensor A
Yellow (4)	Muting sensor B
Grey (5)	OSSD1
Pink (6)	OSSD2
Blue (7)	0 V
Red (8)	Muting lamp

\* Colors according to ABB Jokab Safety standard cables

\*\* See Function selection below

## Function selection with dip-switches

Dip-switches	Function	ON (at delivery)	OFF
1	Muting timeout	10 min.	infinite
2	T/X or L-muting	T/X-muting	L-muting
3	Muting filter	Deactivated	Activated
4	Reset of the Override	Manual	Automatic
5	Not used	-	-
6	EDM	Deactivated	Activated
7	Reset	Automatic	Manual
8	Not used	-	-

# Connection examples

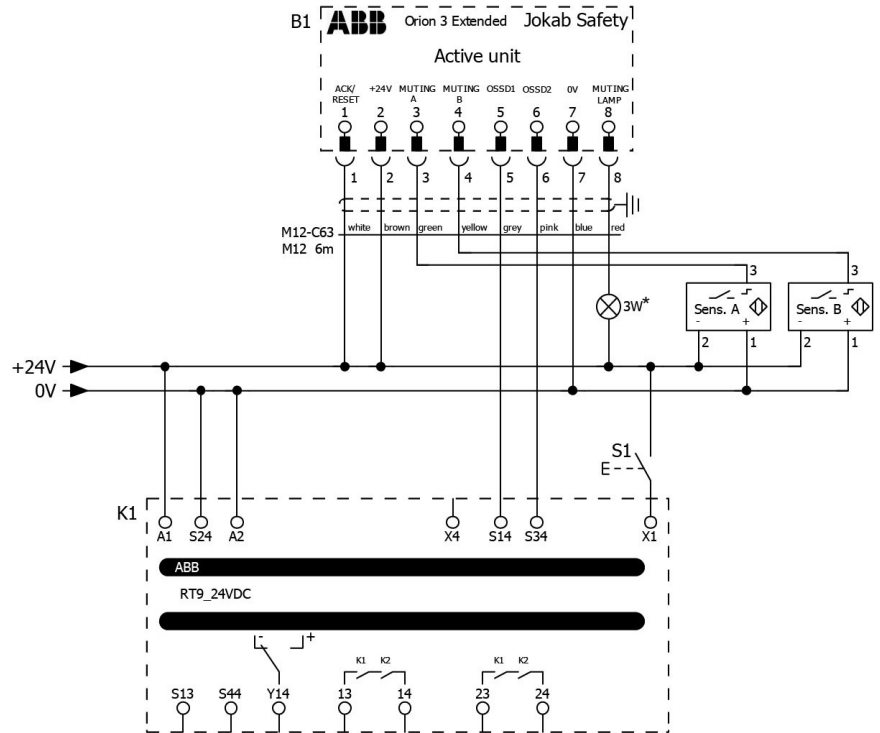
## Orion3 Extended with muting sensors

Reset button connected to the safety relay.

Configuration of the light guard (with the dip-switches):

- Automatic reset
- EDM deactivated

\* Since the device has an integrated muting lamp, it is optional to connect an external lamp on pin 8.



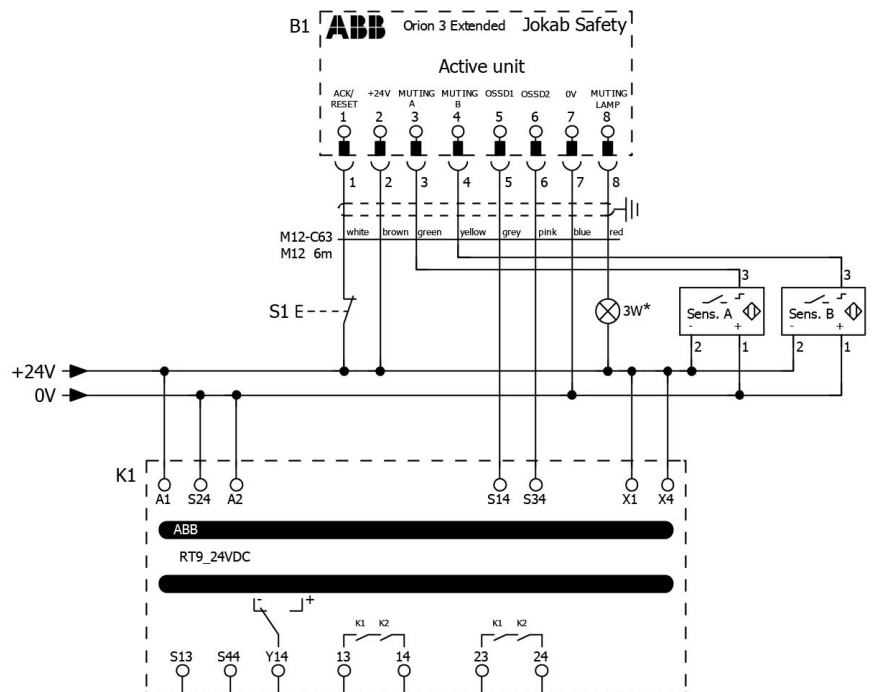
## Orion3 Extended with muting sensors

Reset button connected to the light guard.

Configuration of the light guard (with the dip-switches):

- Automatic reset
- EDM deactivated

\* Since the device has an integrated muting lamp, it is optional to connect an external lamp on pin 8.



## Models and ordering information

Orion3-4-K1C-050-E	2TLA022307R0000	Orion3 Extended - Active unit - 2 beams - H = 500 mm
Orion3-4-K2C-080-E	2TLA022307R0100	Orion3 Extended - Active unit - 3 beams - H = 800 mm
Orion3-4-K2C-090-E	2TLA022307R0200	Orion3 Extended - Active unit - 4 beams - H = 900 mm
Orion3-4-K2C-120-E	2TLA022307R0300	Orion3 Extended - Active unit - 4 beams - H = 1200 mm
Orion3-4-M1C-050	2TLA022306R1000	Orion3 - Passive unit (mirror) - H = 500 mm
Orion3-4-M2C-080	2TLA022306R1100	Orion3 - Passive unit (mirror) - H = 800 mm
Orion3-4-M2C-090	2TLA022306R1300	Orion3 - Passive unit (mirror) - H = 900 mm
Orion3-4-M2C-120	2TLA022306R1400	Orion3 - Passive unit (mirror) - H = 1200 mm

Please note that active and passive units are ordered separately and both are necessary for the Orion3 Extended to function.

## Cables

M12-C63	2TLA020056R3000	Straight M12-8 female connector with 6 m shielded cable
M12-C103	2TLA020056R4000	Straight M12-8 female connector with 10 m shielded cable
M12-C203	2TLA020056R4100	Straight M12-8 female connector with 20 m shielded cable

## Spare parts (delivered with products originally)

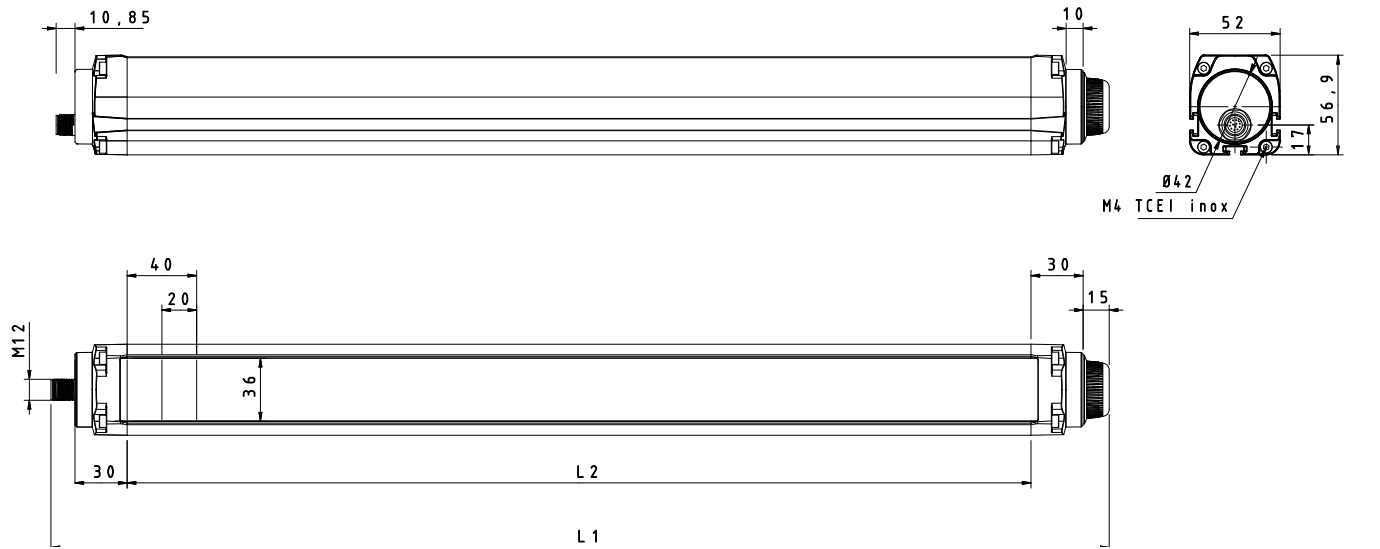
JSM Orion02	2TLA022310R1000	4 standard brackets for Orion3
-------------	-----------------	--------------------------------

## Accessories

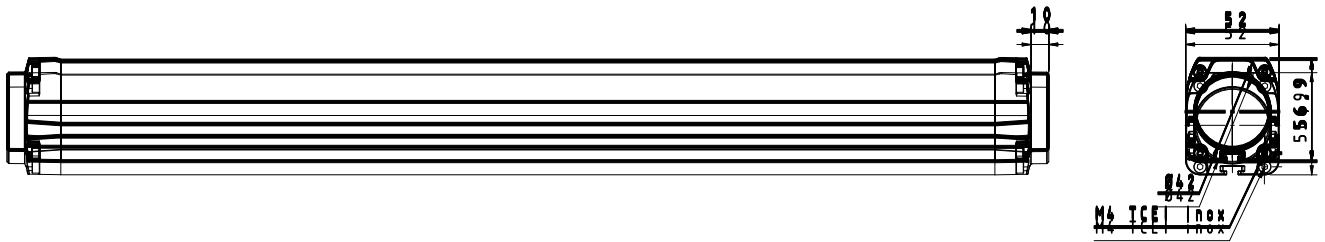
Orion Laser	2TLA022310R5000	Orion Laser pointer
JSM Orion05	2TLA022310R0300	4 rotation brackets for Orion3
JSM Orion08	2TLA022310R0600	Kit for mounting of Orion3 in Stand (4 pieces) - For a pair Orion3 - 050 / 080 / 090 (active + passive units)
JSM Orion09	2TLA022310R0700	For a pair Orion3 - 120 (Orion3-4-K2C-120 + Orion3-4-M2C-120)
Orion Stand Plate	2TLA022312R5000	Orion Plate kit for adjustment of protective stand
Orion Stand*		Protective stand
Orion Mirror*		Deviating mirrors in stand

\* These accessories are available in different sizes. More information on [www.abb.com/jokabsafety](http://www.abb.com/jokabsafety).

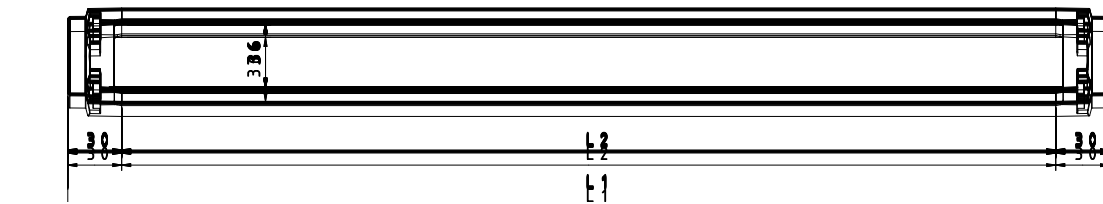
# Dimensions



Active unit - All dimensions in millimeters



Passive unit - All dimensions in millimeters



Model	L1 (mm)	L2 (mm)
Orion3-4-K1C-050-E (active unit)	606,35	520,50
Orion3-4-K2C-080-E (active unit)	906,35	820,50
Orion3-4-K2C-090-E (active unit)	1006,35	920,50
Orion3-4-K2C-120-E (active unit)	1306,35	1220,50
Orion3-4-M1C-050 (passive unit)	580,50	520,50
Orion3-4-M2C-080 (passive unit)	880,50	820,50
Orion3-4-M2C-090 (passive unit)	980,50	920,50
Orion3-4-M2C-120 (passive unit)	1280,50	1220,50

# Contact us

For more information please contact:

**ABB AB**

**ABB Jokab Safety**

Varlabergsvägen 11

SE-434 39 Kungsbacka

Tel. +46 (0) 21-32 50 00

[www.abb.com/jokabsafety](http://www.abb.com/jokabsafety)

Note

We reserve the right to make technical changes or modify the contents of this document without prior notice. With regard to purchase orders, the agreed particulars shall prevail. ABB does not accept any responsibility whatsoever for potential errors or possible lack of information in this document.

We reserve all rights in this document and in the subject matter and illustrations contained therein. Any reproduction, disclosure to third parties or utilization of its contents - in whole or in parts - is forbidden without prior written consent of ABB.

Copyright© 2015 ABB

All rights reserved

