



Main

| | |
|---------------------------|-------------|
| Range compatibility | Lexium 28 |
| Product or component type | Servo motor |
| Device short name | BCH2 |

Complementary

| | |
|---------------------------------|--|
| Maximum mechanical speed | 3000 rpm |
| [Us] rated supply voltage | 220 V |
| Network number of phases | Three phase |
| Continuous stall current | 9.95 A |
| Continuous stall torque | 9.55 N.m for LXM26D at 12 A, 220 V, three phase 9.55 N.m for LXM28A at 12 A, 220 V, three phase |
| Continuous power | 2000 W |
| Peak stall torque | 28.65 N.m for LXM26D at 12 A, 220 V, three phase 28.65 N.m for LXM28A at 12 A, 220 V, three phase |
| Nominal output power | 2000 W for LXM26D at 12 A, 220 V, three phase 2000 W for LXM28A at 12 A, 220 V, three phase |
| Nominal torque | 9.55 N.m for LXM26D at 12 A, 220 V, three phase 9.55 N.m for LXM28A at 12 A, 220 V, three phase |
| Nominal speed | 2000 rpm for LXM26D at 12 A, 220 V, three phase 2000 rpm for LXM28A at 12 A, 220 V, three phase 2000 rpm |
| Maximum current Irms | 32.85 A for LXM26D at 2 kW, 220 V 32.85 A for LXM28A at 2 kW, 220 V |
| Maximum permanent current | 11.25 A |
| Product compatibility | LXM26D servo drive motor at 2 kW, 220 V, three phase LXM28A servo drive motor at 2 kW, 220 V, three phase |
| Shaft end | Keyed |
| Shaft diameter | 22 mm |
| Shaft length | 55 mm |
| Key width | 8 mm |
| Feedback type | 20 bits single turn absolute encoder |
| Holding brake | Without |
| Mounting support | Asian standard flange |
| Motor flange size | 130 mm |
| Electrical connection | MIL connector |
| Torque constant | 0.96 N.m/A at 20 °C |
| Back emf constant | 58 V/krpm at 20 °C |
| Rotor inertia | 13.5 kg.cm ² |
| Stator resistance | 0.34 Ohm at 20 °C |
| Stator inductance | 4.5 mH at 20 °C |
| Stator electrical time constant | 13.24 ms at 20 °C |
| Maximum radial force Fr | 670 N 2000 rpm |

| | |
|---------------------------------------|--------------------|
| Maximum axial force Fa | 200 N |
| Brake pull-in power | 19.7 W |
| Type of cooling | Natural convection |
| Length | 187 mm |
| Number of motor stacks | 4 |
| Centring collar diameter | 110 mm |
| Centring collar depth | 8 mm |
| Number of mounting holes | 4 |
| Mounting holes diameter | 9.2 mm |
| Circle diameter of the mounting holes | 145 mm |
| Distance shaft shoulder-flange | 8 mm |
| Product weight | 9.7 kg |

Environment

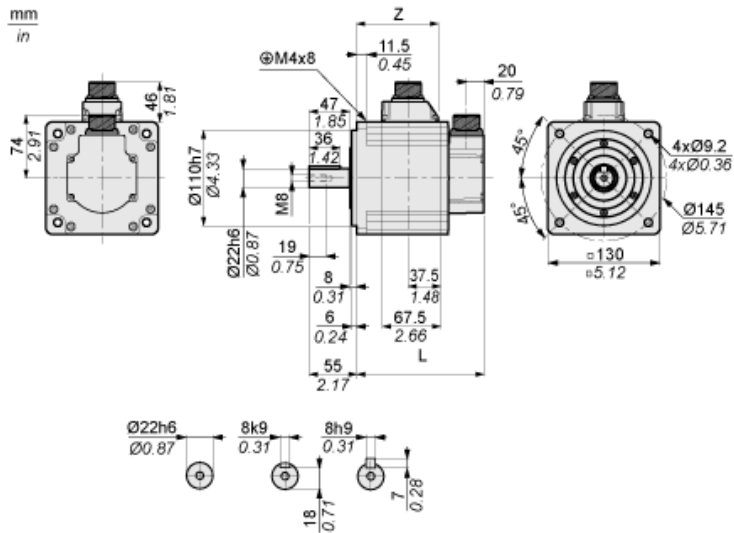
| | |
|---------------------------------------|---------------------------------|
| IP degree of protection | IP65 IM B5, IM V1 IP50 IM V3 |
| Ambient air temperature for operation | -20...40 °C |

Offer Sustainability

| | |
|--------------------------|---|
| Sustainable offer status | Not Green Premium product |
| RoHS (date code: YYWW) | Compliant - since 1442 - Schneider Electric declaration of conformity |
| REACH | Reference not containing SVHC above the threshold |

Dimensions

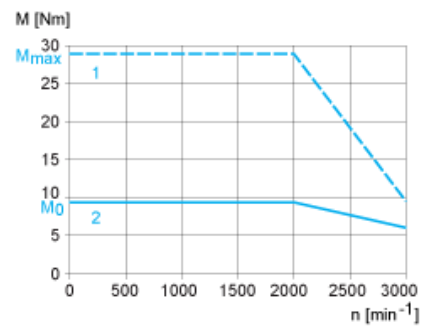
Dimensions of Motor



| | mm | in. |
|---------------------------|-------|------|
| L (without holding brake) | 187 | 7.36 |
| L (with holding brake) | 216 | 8.5 |
| Z | 134.5 | 5.30 |

Torque/Speed Curves with 230 V Three Phase Supply Voltage

Servo Motor with LXM28AU20M3X Servo Drive



- 1 : Peak torque
- 2 : Continuous torque