



Main

Range compatibility	Lexium 28
Product or component type	Servo motor
Device short name	BCH2

Complementary

Maximum mechanical speed	3000 rpm
[Us] rated supply voltage	220 V
Network number of phases	Three phase
Continuous stall current	16.49 A
Continuous stall torque	19.1 N.m for LXM26D at 19.8 A, 220 V, three phase 19.1 N.m for LXM28A at 19.8 A, 220 V, three phase
Continuous power	3000 W
Peak stall torque	57.29 N.m for LXM26D at 19.8 A, 220 V, three phase 57.29 N.m for LXM28A at 19.8 A, 220 V, three phase
Nominal output power	3000 W for LXM26D at 19.8 A, 220 V, three phase 3000 W for LXM28A at 19.8 A, 220 V, three phase
Nominal torque	19.1 N.m for LXM26D at 19.8 A, 220 V, three phase 19.1 N.m for LXM28A at 19.8 A, 220 V, three phase
Nominal speed	1500 rpm for LXM26D at 19.8 A, 220 V, three phase 1500 rpm for LXM28A at 19.8 A, 220 V, three phase
Maximum current Irms	58.4 A for LXM26D at 3 kW, 220 V 58.4 A for LXM28A at 3 kW, 220 V
Maximum permanent current	18.8 A
Product compatibility	LXM26D servo drive motor at 3 kW, 220 V, three phase LXM28A servo drive motor at 3 kW, 220 V, three phase
Shaft end	Keyed
Shaft diameter	35 mm
Shaft length	79 mm
Key width	10 mm
Feedback type	20 bits single turn absolute encoder
Holding brake	Without
Mounting support	Asian standard flange
Motor flange size	180 mm
Electrical connection	MIL connector
Torque constant	1.16 N.m/A at 20 °C
Back emf constant	70 V/krpm at 20 °C
Rotor inertia	53.56 kg.cm ²
Stator resistance	0.234 Ohm at 20 °C
Stator inductance	4.9 mH at 20 °C
Stator electrical time constant	20.94 ms at 20 °C
Maximum radial force Fr	1200 N 1500 rpm
Maximum axial force Fa	497 N

Brake pull-in power	49.6 W
Type of cooling	Natural convection
Length	202 mm
Number of motor stacks	2
Centring collar diameter	114.3 mm
Centring collar depth	4 mm
Number of mounting holes	4
Mounting holes diameter	13.5 mm
Circle diameter of the mounting holes	200 mm
Distance shaft shoulder-flange	4 mm
Product weight	18.5 kg

Environment

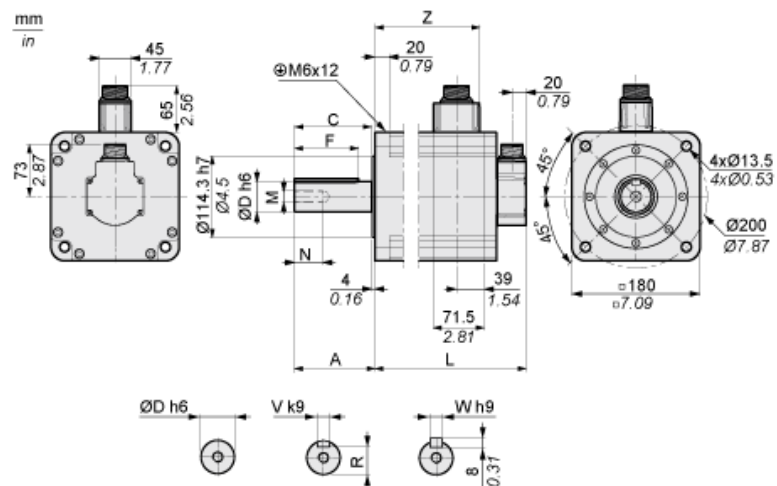
IP degree of protection	IP65 IM B5, IM V1 IP50 IM V3
Ambient air temperature for operation	-20...40 °C

Offer Sustainability

Sustainable offer status	Not Green Premium product
RoHS (date code: YYWW)	Compliant - since 1442 - Schneider Electric declaration of conformity
REACH	Reference not containing SVHC above the threshold

Dimensions

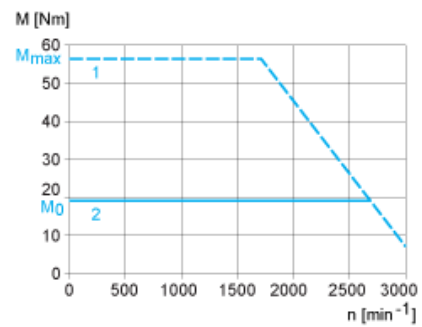
Dimensions of Motor



	mm	in.
L (without holding brake)	202	7.95
L (with holding brake)	235	9.25
A	79	3.11
C	73	2.87
D	35	1.38
F	63	2.48
N	28	1.10
M	M12	
R	30	1.18
V	10	0.39
W	10	0.39
Z	136	5.35

Torque/Speed Curves with 230 V Three Phase Supply Voltage

Servo Motor with LXM28AU30M3X Servo Drive



- 1 : Peak torque
- 2 : Continuous torque