

RS RS stock number : 869-7624



DT1200

Termination enclosure

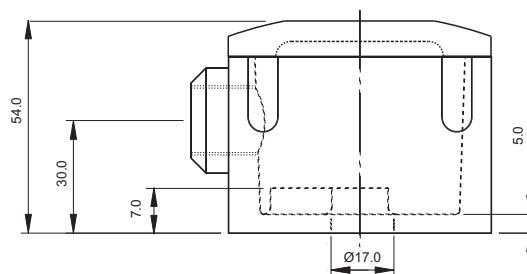
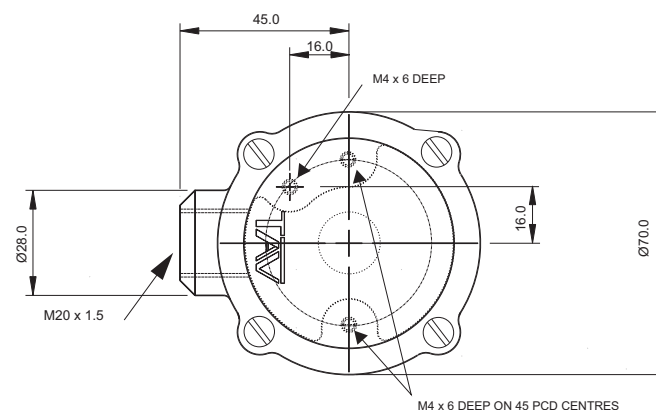


- **Weatherproof to IP68**
- **Machined aluminium casting**
- **Mounting threads for terminal block**

An enclosure which can be used with the Cynergy3 range of vertically mounted float switches which have an M16 mounting thread.*

Machined from an aluminium casting, the termination enclosure is weatherproof to IP68 when fitted with the correct gland, and can be fitted with a terminal block using the 3 x M4 mounting holes in the base.

*Note - the termination enclosure wall thickness is 5mm which will reduce the allowable maximum tank wall thickness accordingly.



Cynergy3 Components Ltd.
7 Cobham Road
Ferndown Industrial Estate
Wimborne, Dorset BH21 7PE
Telephone +44 (0) 1202 897969
Email:sales@cynergy3.com

ISO9001CERTIFIED

Dt1200 2015 RS

© 2015 Cynergy3 Components, All Rights Reserved. Specifications are subject to change without prior notice. Cynergy3 Components and the Cynergy3 Components logo are trademarks of Cynergy3 Components Limited.

www.cynergy3.com