

Hour meters / timers, electromechanical

Standard timers

9999.99 h / 99999.9 h with reset (AC+DC)

HB 26



The timer HB 26 with reset measure time ranges up to max. 999999.9 h or 99999.99 h.

These panel-mount counters can be used in many different fields of application.



Characteristics

- 6-digit hour meter without reset
- High shock and impact resistance
- Magnified large figures; height 4.5 mm
- Data retention in case of power failure
- Long service life
- Plug-in versions
- Counter without front bezel for mounting in front bezel F1B and F2B and for combination in 50 x 25 mm size with socket box 945.2

Benefits

- Can be combined with preset counters BVa and HVa, and with pulse counter B
- Can be equipped with various sealing covers to protect the counter against dust, dirt and moisture
- Key-locking 0-reset

Applications

General time measurement, maintenance intervals for measuring instruments (respiration units, oxygen, dialysis), small appliances, UV lamps, display panels in vehicles

Type series

Description	Type	Options
Screw mounting, 56 x 40 mm [2.20 x 1.57"]	HB 26.11	<ul style="list-style-type: none"> • Different voltages • Extended temperature range on request • Flat pin 0.8 x 6.3 mm [0.031 x 0.25"] without flat push on connectors: Art.-Nr. 3.168.X11.XXX • Flat pin 0.8 x 2.8 mm [0.031 x 0.11"] with flat push on connectors: Art.-Nr. 3.167.X11.XXX • Lockable 0-reset: Art.-Nr. 3.160.XX7.XXX <p>The button can be unlocked by means of the key</p>
Clip mounting, 53 x 28 mm [2.09 x 1.10"]	HB 26.21	
Plug-in for socket box 945.2 and front bezel F1B	HB 26.01.3	



Hour meters / timers, electromechanical

Standard timers	9999.99 h / 99999.9 h with reset (AC+DC)	HB 26
Accessories	Dimensions in mm [inch]	Order-No.
Front bezel, type F1B plastic	For cut-out 54 x 49 [2.13 x 1.93], for screw mounting, for plug-in counters B1x.0x and HB2x.0x in socket box type 945.2	beige black G007501 G007502
Socket box, type 945.2	For counters B1x.0x and HB2x.0x, can be used for plug-in connections in front bezel F1B	black G008434
Sealing cover, type K1, IP65	For front bezel 60 x 50 [2.36 x 1.97], with screw mounting, for electromechanical counters and via adapter front bezel N003001 for counters 48 x 24 [1.89 x 0.94]	transparent / grey transparent / black G008300 G008301
Transparent cover, lockable, IP65	For cut-out 54 x 29 [2.13 x 1.14], for screw mounting to front bezel F1B or adapter front bezel N003001, for counters with cut-out 50 x 25 [1.97 x 0.98] or 45 x 22.2 [1.77 x 0.87]	N003002
Blind enclosure, 53 x 28 [2.07 x 1.10]	For cut-out 50 x 25 [1.97 x 0.98], for counters 53 x 28 [2.09 x 1.10]	black T005753
Mounting frame with cut-out 50 x 25 [2.36 x 1.97] via separate adapter also for 45 x 22.2 [1.77 x 0.87]	For snap-on mounting on 35 [1.38] top-hat DIN rail, for counters 53 x 28 [2.09 x 1.10] and via separate adapter (T008180) for counters 48 x 24 [1.89 x 0.94]	chromated G300004
Mounting rail frame SR	For B and HB counters for snap-on mounting on 35 [1.38] top-hat DIN rail	SR 1 for 1x3 B counters SR 2 for 2x3 B counters G300000 G300001

Suitable gaskets as well as further accessories can be found in the accessories section or in the accessories area of our website at: www.kuebler.com/accessories.

Technical data

Electrical characteristics			General technical data		
Electrical connection	cable	2 x 0.5 mm ² [AWG20], NYFAZ, 0.5 m [1.64'] long AC: grey/grey, DC: red +, black – round pins ø 1.6 mm [0.063"] (plugs into socket box type 945.2)	Display	number of digits	6, AC: 9999.99 h, DC: 99999.9 h
	type HB 26.01.3			height of figures	4.5 mm [0.17"]
				colour of figures	white and red on black
Power consumption	10 ... 30 V DC	approx. 500 mW	Operating temperature	-15°C ... +50°C [+5°F ... +122°F] (non-condensing)	
	36 ... 80 V DC	approx. 900 mW	Mounting position	any	
	100 ... 130 V DC	approx. 750 mW	Mechanical characteristics		
	20 ... 30 V AC	approx. 0.3 VA	Housing	plastic PC (Polycarbonate)	
	42 ... 48 V AC	approx. 0.25 VA	Protection	IP41 (front side)	
	100 ... 130 V AC	approx. 0.6 VA	with flexible sealing cover K1	IP54 (front side)	
	187 ... 264 V AC	approx. 1.2 VA	with transparent cover Dv., Dvs	IP55 (front side)	
	360 ... 440 V AC	approx. 1.65 VA	Weight	approx. 45 g [1.59 oz]	
Rated voltages	AC (50 or 60 Hz)	20 ... 30 / 42 ... 48 / 100 ... 130 / 187 ... 264 / 360 ... 440 V AC	Options		
	DC	10 ... 30 / 36 ... 80 / 100 ... 130 V DC	Different voltages and extended temperature range on request		
Accuracy	AC	supply frequency + 30 ms	Flat pin 0.8 x 6.3 mm [0.031 x 0.25"]		
	DC	< 0.003 % (at 24 h)	without flat push on connectors		
EMC	Emitted interference	EN 55011 class B	Art.-No. 3.168.X11.XXX		
	Immunity to interference	EN 61000-6-2	Flat pin 0.8 x 2.8 mm [0.031 x 0.11"]		
Device safety	Designed to	EN 61010 part 1	with flat push on connectors		
	Protection class	2	Art.-No. 3.167.X11.XXX		
	Application area	Pollution level 2	Key-locking 0-reset		
			Art.-No. 3.160.XX7.XXX		

Hour meters / timers, electromechanical

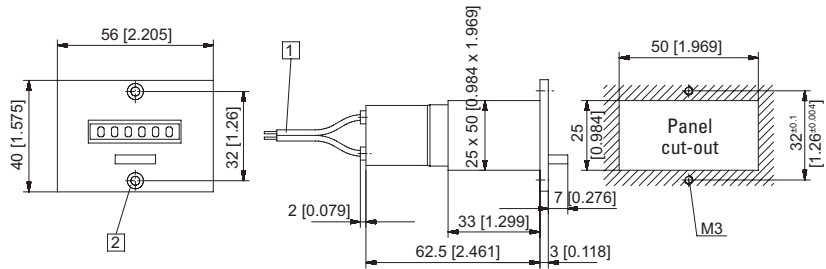
Standard timers

9999.99 h / 99999.9 h with reset (AC+DC)

HB 26

Screw mounting, 56 x 40 [2.20 x 1.57]

Type HB 26.11

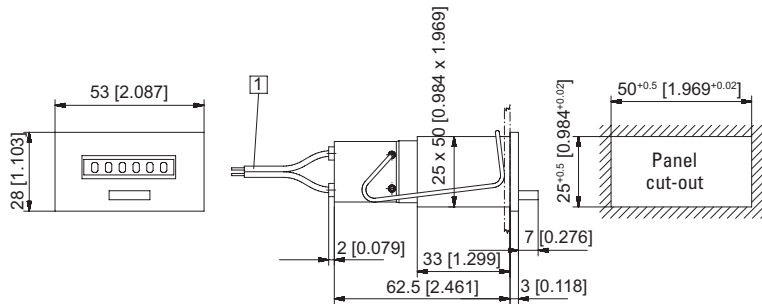


1) Connection cable, 2 x 0.5 mm² [AWG20], NYFAZ, 0.5 m [1.64'] long 2) Countersinking Af3, DIN 74

Type	Display	Voltage	Art.-No.						
			10 ... 30 V	20 ... 30 V	36 ... 80 V	42 ... 48 V	100 ... 130 V	187 ... 264 V	360 ... 440 V
HB 26.11	6 digits	AC (50 Hz)		3.160.111.071		3.160.111.072	3.160.111.074	3.160.111.075 ¹⁾	3.160.111.079
		AC (60 Hz)		3.160.111.081		3.160.111.082	3.160.111.084	3.160.111.085	3.160.111.089
		DC	3.160.111.351 ¹⁾		3.160.111.353		3.160.111.381		

Clip mounting, 53 x 28 [2.09 x 1.10]

Type HB 26.21



1) Connection cable, 2 x 0.5 mm² [AWG20], NYFAZ, 0.5 m [1.64'] long

Type	Display	Voltage	Art.-No.						
			10 ... 30 V	20 ... 30 V	36 ... 80 V	42 ... 48 V	100 ... 130 V	187 ... 264 V	360 ... 440 V
HB 26.21	6 digits	AC (50 Hz)		3.160.211.071		3.160.211.072	3.160.211.074	3.160.211.075 ¹⁾	3.160.211.079
		AC (60 Hz)		3.160.211.081		3.160.211.082	3.160.211.084	3.160.211.085	3.160.211.089
		DC	3.160.211.351 ¹⁾		3.160.211.353		3.160.211.381		
Further stock types:			187... 264 V AC, key lockable reset			3.160.217.075			
			187... 264 V AC, flat pin 0.8 x 2.8 mm [0.031 x 0.11"]			3.167.211.075			
			10 ... 30 V DC, flat pin 0.8 x 2.8 mm [0.031 x 0.11"]			3.167.211.351			

Hour meters / timers, electromechanical

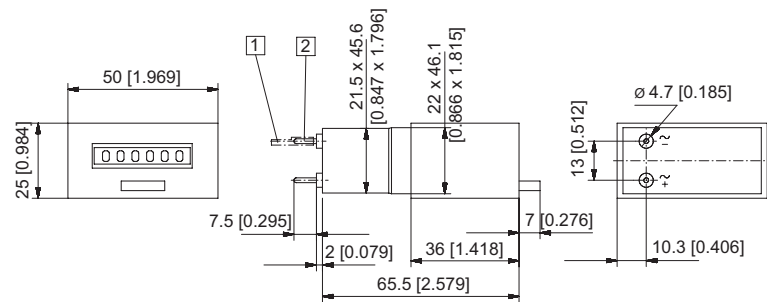
Standard timers	9999.99 h / 99999.9 h with reset (AC+DC)	HB 26
------------------------	---	--------------

Plug-in for socket box 945.2 and front bezel F1B

Type HB 26.01.3



socket box 945.2 not included in delivery



- 1 Push on connector \varnothing 1.5 [0.059] tinned 2 Round pin \varnothing 1.6 [0.063] tinned

Type	Display	Voltage	Art.-No.									
			10 ... 30 V	20 ... 30 V	36 ... 80 V	42 ... 48 V	100 ... 130 V	187 ... 264 V	360 ... 440 V			
HB 26.01.3	6 digits	AC (50 Hz)		3.165.011.071		3.165.011.072	3.165.011.074	3.165.011.075	3.165.011.079			
		AC (60 Hz)		3.165.011.081		3.165.011.082	3.165.011.084	3.165.011.085	3.165.011.089			
		DC	3.165.011.351		3.165.011.353		3.165.011.381					