



### ComEx control stations

#### Features

- 3 standard enclosures
- Easy to install
- Extremely flexible
- Customer-tailored solutions

#### Description

ComEx is a flexible system offering standard as well as customer-specific local control and indicating units.

You have the choice between three standard enclosures which can accommodate up to three different control and indicating devices. Combinations of up to three ComEx enclosures are possible.

Either stuffing box glands in M20 x 1.5 and M25 x 1.5 made of plastic or cable glands made of metal are available for the electrical connection.

The plastic glands require no lock nuts.

Metal glands are screwed into a metal earth plate sheet inside of the enclosure. Maximum amount of cable glands: two off M20.

To ensure easier operation on site, each enclosure can be equipped with an individual info-label.

For offshore applications special oil-resistant attachments are available.

#### Explosion protection

##### Ex protection type

- ⊕ II 2G Ex ed IIC T6
- ⊕ II 2D Ex tD A21 IP 67 T 80 °C

Class I, Zone 1 AEx ed IIC, Ex ed IIC  
Class I, Division 2 Groups A, B, C, D  
Ex ed IIC, T6

##### Certification

- PTB 00 ATEX 1068
- UL E184198
- IECEx PTB 08.0022
- INMETRO 2004 EC 02 CP003

##### Permissible ambient temperature

- 55 °C to +60 °C
- (-20 °C to +60 °C for Zone 21 and 22)

#### Technical data

##### Connection

Terminals 2.5 mm<sup>2</sup>

##### PE conductor terminals

4 x 2.5 mm<sup>2</sup>

##### Rated insulation voltage

max. AC 690 V

##### Nominal current

max. 16 A

##### Cable entry

- M 20 x 1.5 for cable Ø 6 to 13 mm
- M 25 x 1.5 for cable Ø 7 to 12 mm
- M 25 x 1.5 for cable Ø 13 to 21 mm

##### Enclosure

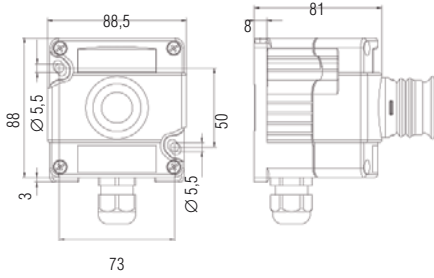
Thermoplastic

##### Protection class

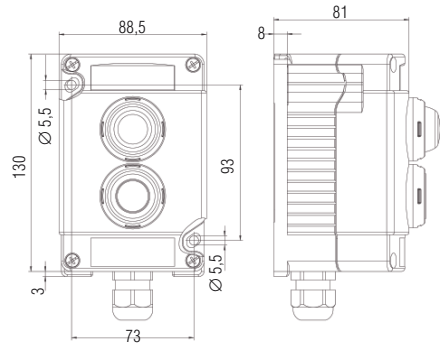
IP 66/IP 67



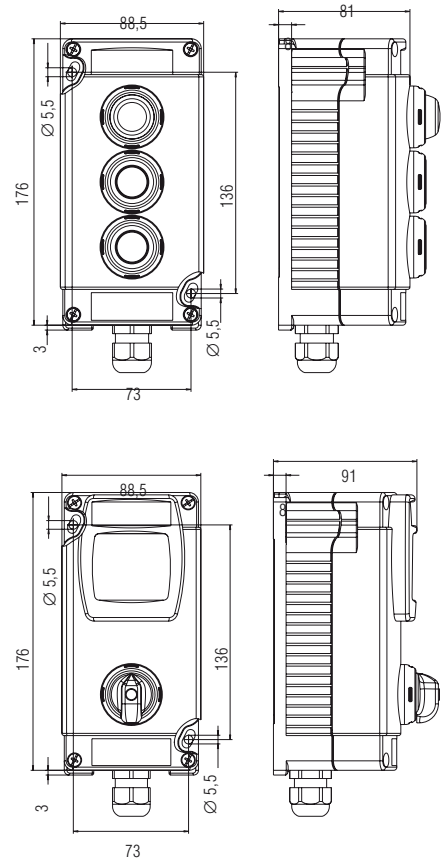
Control unit, single Type 07-3511-....



Control station, double Type 07-3512-....



Control station, triple Type 07-3513-....





**Selection chart**



Wiring diagram	Description	Weight	➔ Order no.
	<b>1 pushbutton</b> 1 NO + 1 NC incl. labels red, green, yellow, white	0.33 kg	<b>07-3511-10P74</b>
	<b>1 NOT/AUS Emergency Stop</b> 1 NO + 1 NC marked NOT/AUS and Emergency-Stop	0.36 kg	<b>07-3511-10N84</b>
	<b>1 Mushroom Keyswitch</b> 1 NO + 1 NC with key to reset	0.40 kg	<b>07-3511-10K34</b>
	<b>1 Selector switch</b> 1 NO + 1 NC, 2 position with 2 stops 0 and I, latching	0.35 kg	<b>07-3511-10S94</b>
	<b>1 Selector switch</b> 1 NO + 1 NC, 3 position with 3 stops I - 0 - II, latching	0.35 kg	<b>07-3511-10S04</b>
	<b>1 Selector switch</b> 1 NO + 1 NC, 3 position with 3 stops I - 0 - II, momentary-contact	0.35 kg	<b>07-3511-10S14</b>
	<b>1 Lamp</b> red green yellow white	0.35 kg	<b>07-3511-10LRR</b> <b>07-3511-10LGG</b> <b>07-3511-10LYY</b> <b>07-3511-10LWW</b>
	<b>1 Mushroom Pushbutton, black</b> 1 NO + 1 NC	0.35 kg	<b>07-3511-10P84</b>
	<b>1 Keyswitch</b> 1 NO + 1 NC lockable in both positions	0.40 kg	<b>07-3511-10K04</b>
	<b>1 Keyswitch</b> 1 NO + 1 NC lockable in the pushed-in-position	0.40 kg	<b>07-3511-10K14</b>
	<b>1 Keyswitch</b> 1 NO + 1 NC lockable in the initial position	0.40 kg	<b>07-3511-10K24</b>



**Selection chart**

Wiring diagram	Description	Weight	➔ Order no.
	<p><b>2 pushbuttons</b> 1 NO + 1 NC each including key labels</p>	0.50 kg	<b>07-3512-10P74P74</b>
	<p><b>1 indicator lamp, 1 pushbutton</b> with indicated lamp red green yellow white blue  1 NO + 1 NC</p>	0.52 kg	<p><b>07-3512-10LRRP74</b> <b>07-3512-10LGGP74</b> <b>07-3512-10LYYP74</b> <b>07-3512-10LWWP74</b> <b>07-3512-10LBPP74</b></p>
	<p><b>1 indicator lamp, 2 pushbuttons</b> with indicated lamp red green yellow white  1 NO + 1 NC each</p>	0.70 kg	<p><b>07-3513-10LRRP74P74</b> <b>07-3513-10LGGP74P74</b> <b>07-3513-10LYYP74P74</b> <b>07-3513-10LWWP74P74</b></p>
	<p><b>3 pushbuttons</b> 1 NO + 1 NC each including key labels</p>	0.68 kg	<b>07-3513-10P74P74P74</b>
	<p><b>2 pushbuttons</b> <b>1 emergency stop button</b> 1 NO + 1 NC each</p>	0.70 kg	<b>07-3513-10P74P74N84</b>

